



US00D881434S

(12) **United States Design Patent** (10) **Patent No.:** **US D881,434 S**
He (45) **Date of Patent:** **** Apr. 14, 2020**

(54) **SOLAR DANDELION LIGHT**
(71) Applicant: **Shenzhen YIYAYIYAYO Trading Co., Ltd**, Shenzhen (Guangdong Province) (CN)
(72) Inventor: **Xufeng He**, Shenzhen (CN)
(73) Assignee: **Shenzhen YIYAYIYAYO Trading Co., Ltd**, Shenzhen (CN)

D629,137 S * 12/2010 Chen D26/68
D660,503 S * 5/2012 Gilad D26/88
D679,852 S * 4/2013 Smith D26/88
D681,252 S * 4/2013 Graham D26/73
D696,450 S * 12/2013 Coury D26/88
D783,878 S * 4/2017 Lava D26/81
2008/0247155 A1 * 10/2008 Allsop F21S 8/081
362/145
2011/0255288 A1 * 10/2011 Wexler F21S 8/083
362/249.06

(**) Term: **15 Years**

(21) Appl. No.: **29/659,844**

(22) Filed: **Aug. 13, 2018**

(51) **LOC (12) Cl.** **26-05**

(52) **U.S. Cl.**
USPC **D26/67; D26/73; D26/101**

(58) **Field of Classification Search**
USPC D26/63, 67-70, 85, 73, 88, 101
CPC .. F21S 8/081; F21S 8/083; F21S 8/088; F21S 9/03; F21S 9/032; F21S 9/035; F21V 21/0824; F21W 2111/02; F21W 2111/023; F21W 2131/109

See application file for complete search history.

(56) **References Cited**

U.S. PATENT DOCUMENTS

D217,062 S * 3/1970 Campana D26/68
D281,358 S * 11/1985 Doner D26/68
D439,693 S * 3/2001 Milicia D26/68
D443,376 S * 6/2001 Lindsay D26/68
D443,711 S * 6/2001 Lindsay D26/68
D448,510 S * 9/2001 Milicia D26/67
D453,390 S * 2/2002 Bovee D26/101
D495,969 S * 9/2004 Ensign D11/119
D509,315 S * 9/2005 Weiser D26/101
D538,962 S * 3/2007 Elliott D26/88
D552,285 S * 10/2007 Richmond D26/68
D567,436 S * 4/2008 Bentivoglio D26/154
D570,526 S * 6/2008 Cenedese D26/88

(Continued)

OTHER PUBLICATIONS

Multi-Color Solar Garden Lights Outdoor, 4-Pack Color Changing Decorative Stake Lights LED Solar by YIYAYIYAYO. Sold at amazon.com as early as Jul. 30, 2018. (Year: 2018).*

(Continued)

Primary Examiner — Clare E Heflin

(74) *Attorney, Agent, or Firm* — Yong Chen

(57) **CLAIM**

The ornamental design for a solar dandelion light, as shown and described.

DESCRIPTION

FIG. 1 is a front view of a solar dandelion light of the present invention.

FIG. 2 is a back view thereof.

FIG. 3 is a left view thereof.

FIG. 4 is a right view thereof.

FIG. 5 is a top view thereof.

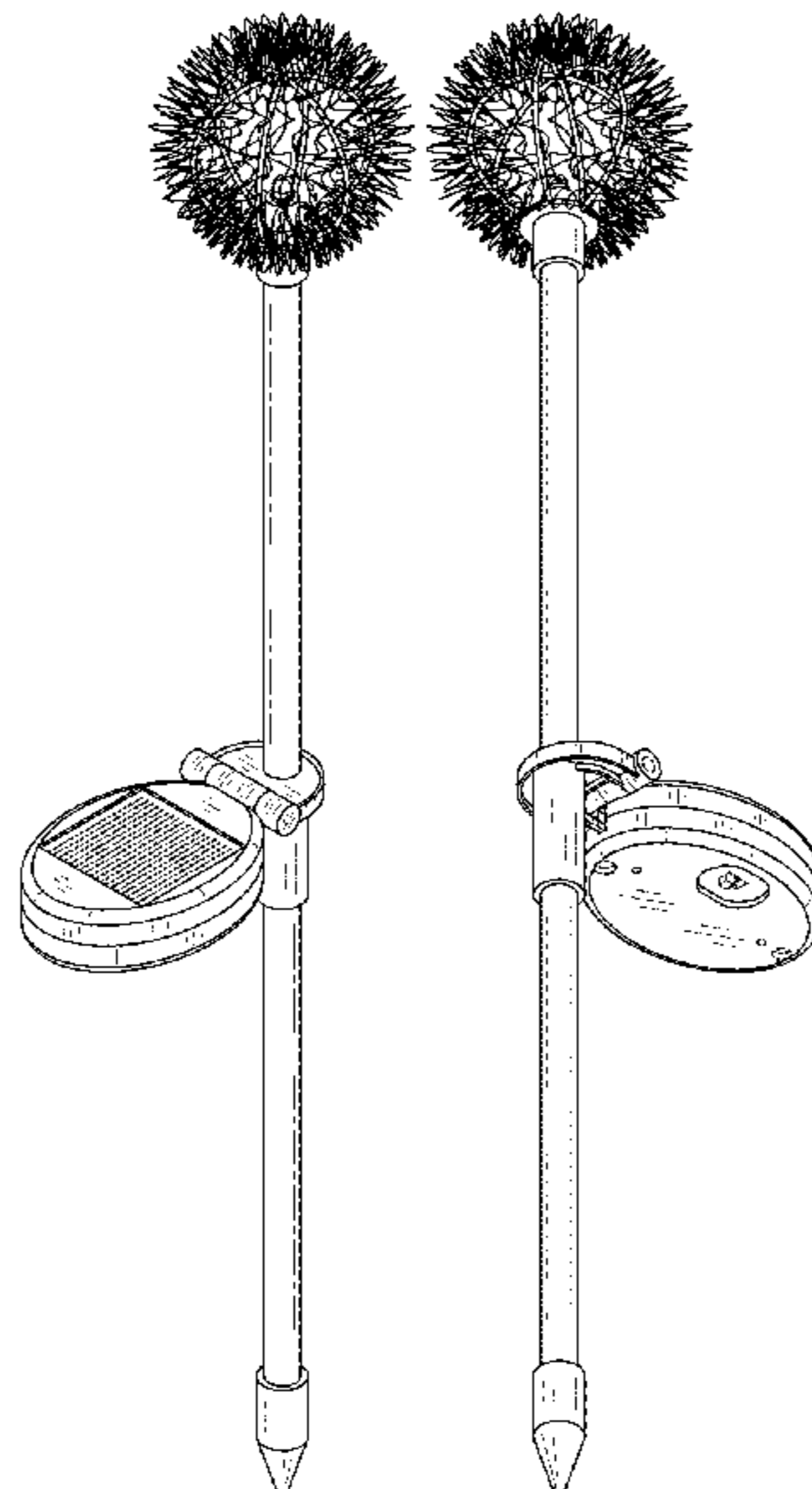
FIG. 6 is a bottom view thereof.

FIG. 7 is a first perspective view thereof; and,

FIG. 8 is a second perspective view thereof.

The broken line showing of certain portions of the solar dandelion light is included for the purpose of illustration only and forms no part of the claimed design.

1 Claim, 8 Drawing Sheets



(56)

References Cited

U.S. PATENT DOCUMENTS

2015/0077980 A1* 3/2015 Coughlin F21V 21/14
362/183

OTHER PUBLICATIONS

Solar Color Changing Lights Dandelion Flower Waterproof Outdoor Garden Stake Solar by Eassion sold at amazon.com Aug. 25, 2019. (Year: 2019).*

Solar Stake Lights, Life-Size Figurines LED, [Set of 3] Dandelion & Lily & Sunflower—Color Changing by Bright Zeal sold at amazon.com Dec. 17, 2016. (Year: 2016).*

* cited by examiner

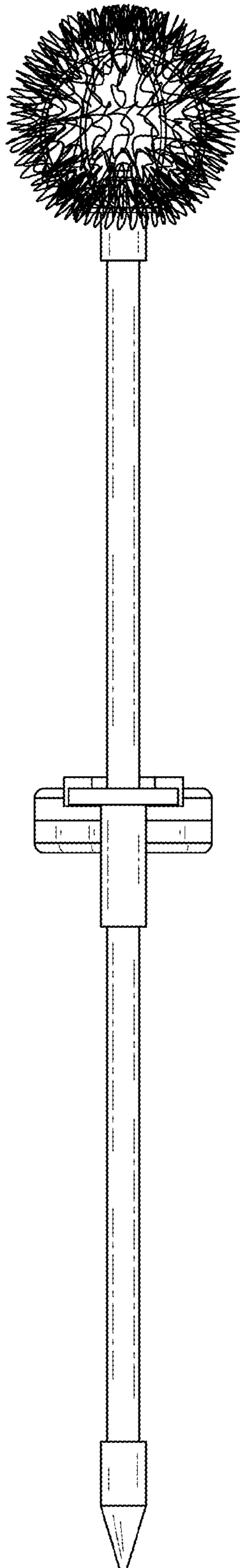


FIG. 1

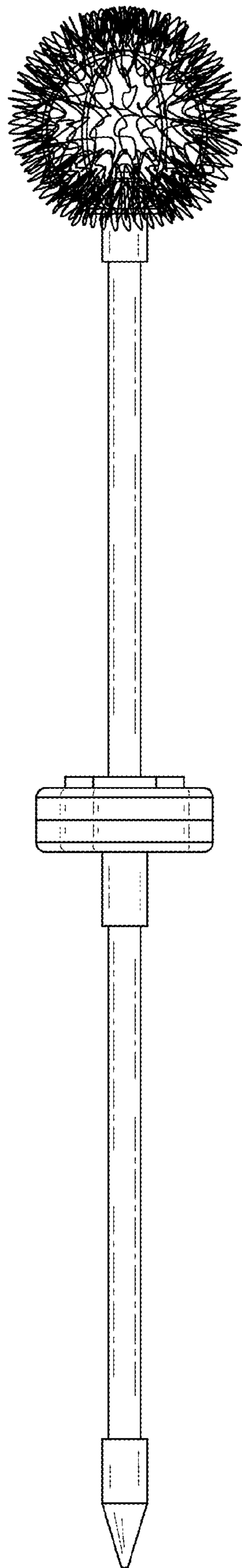


FIG. 2

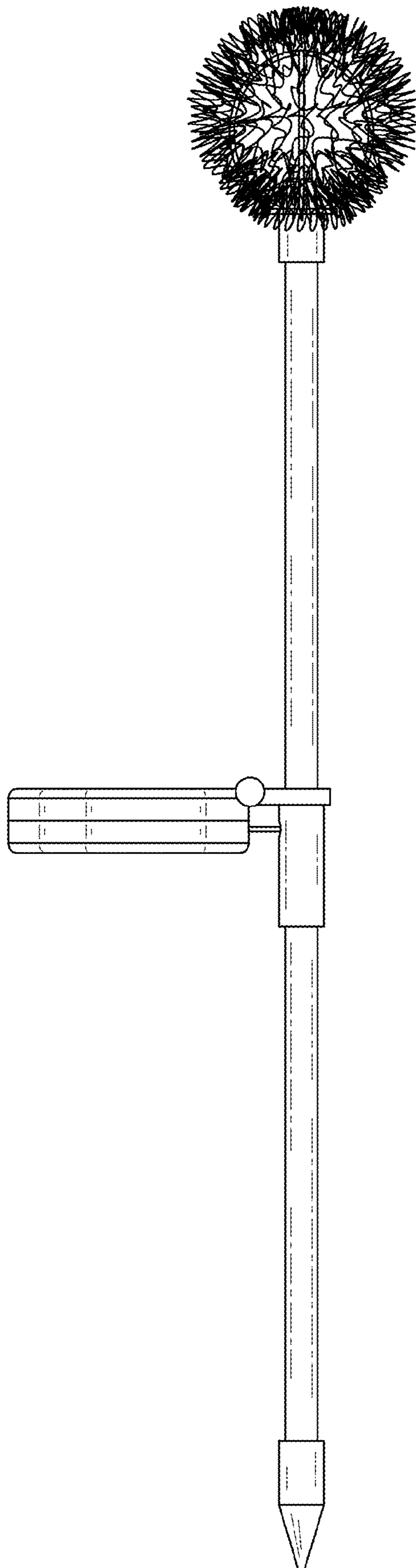


FIG. 3

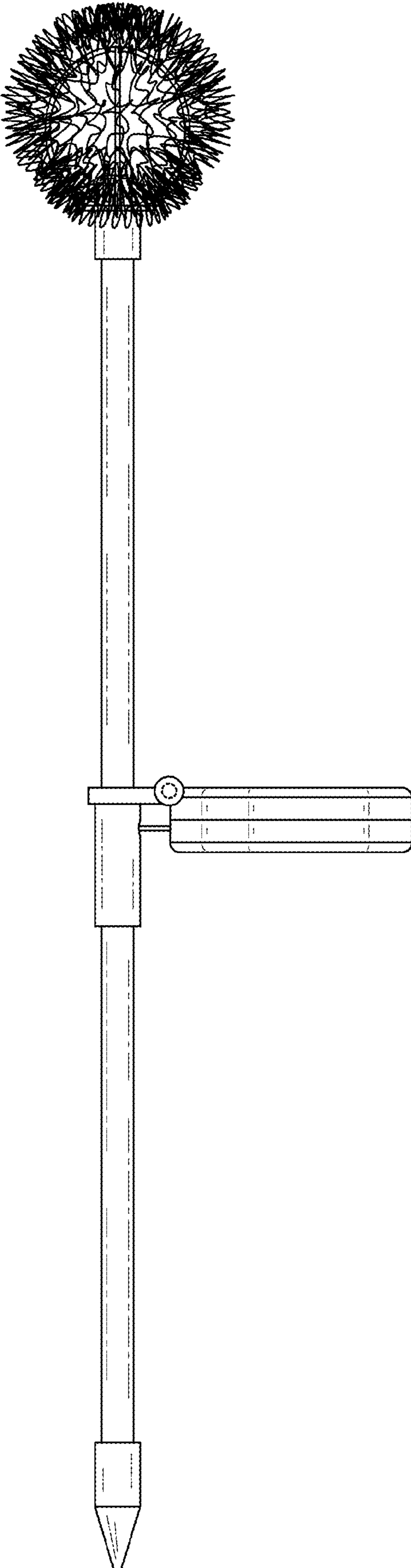


FIG. 4

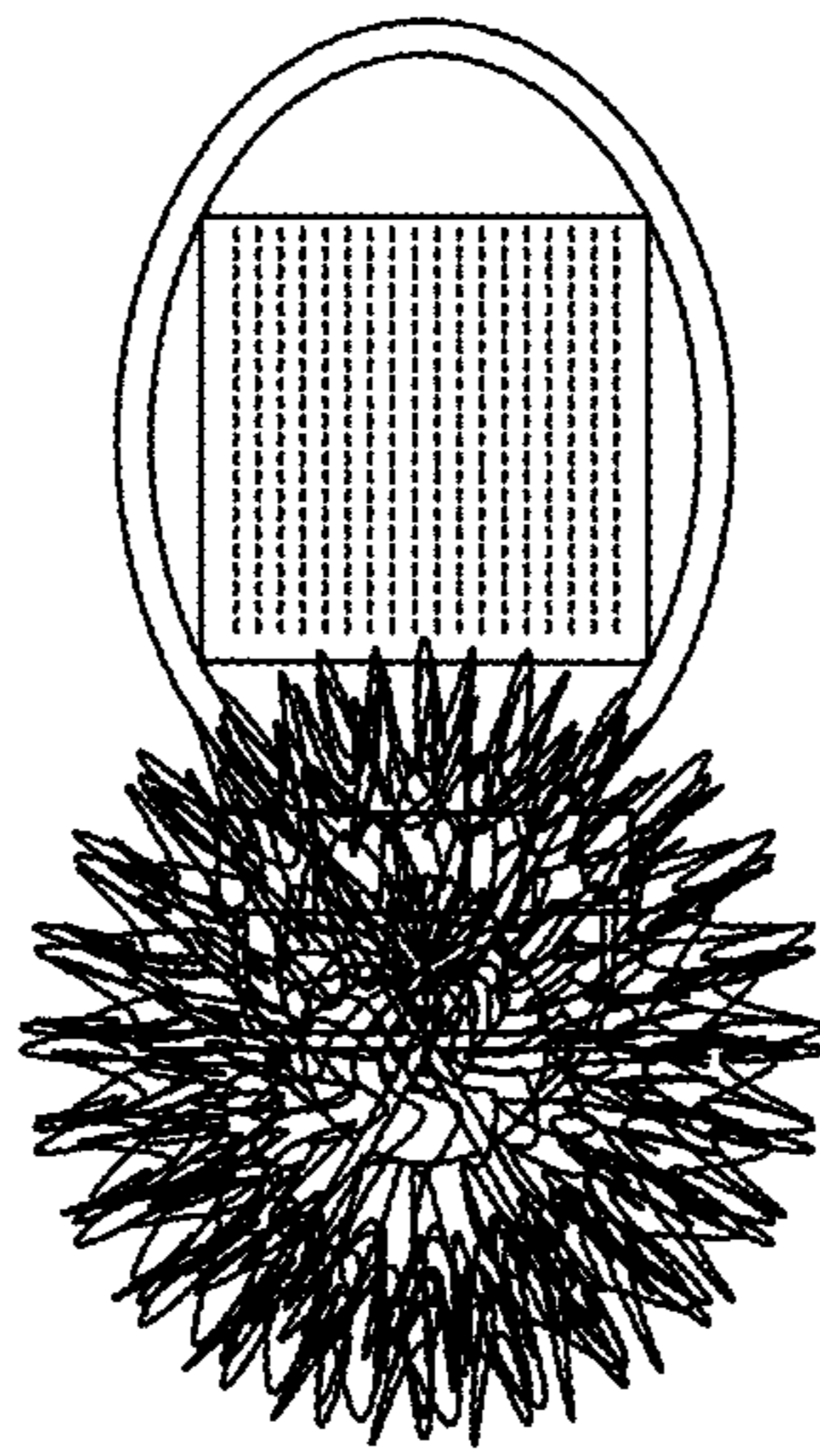


FIG. 5

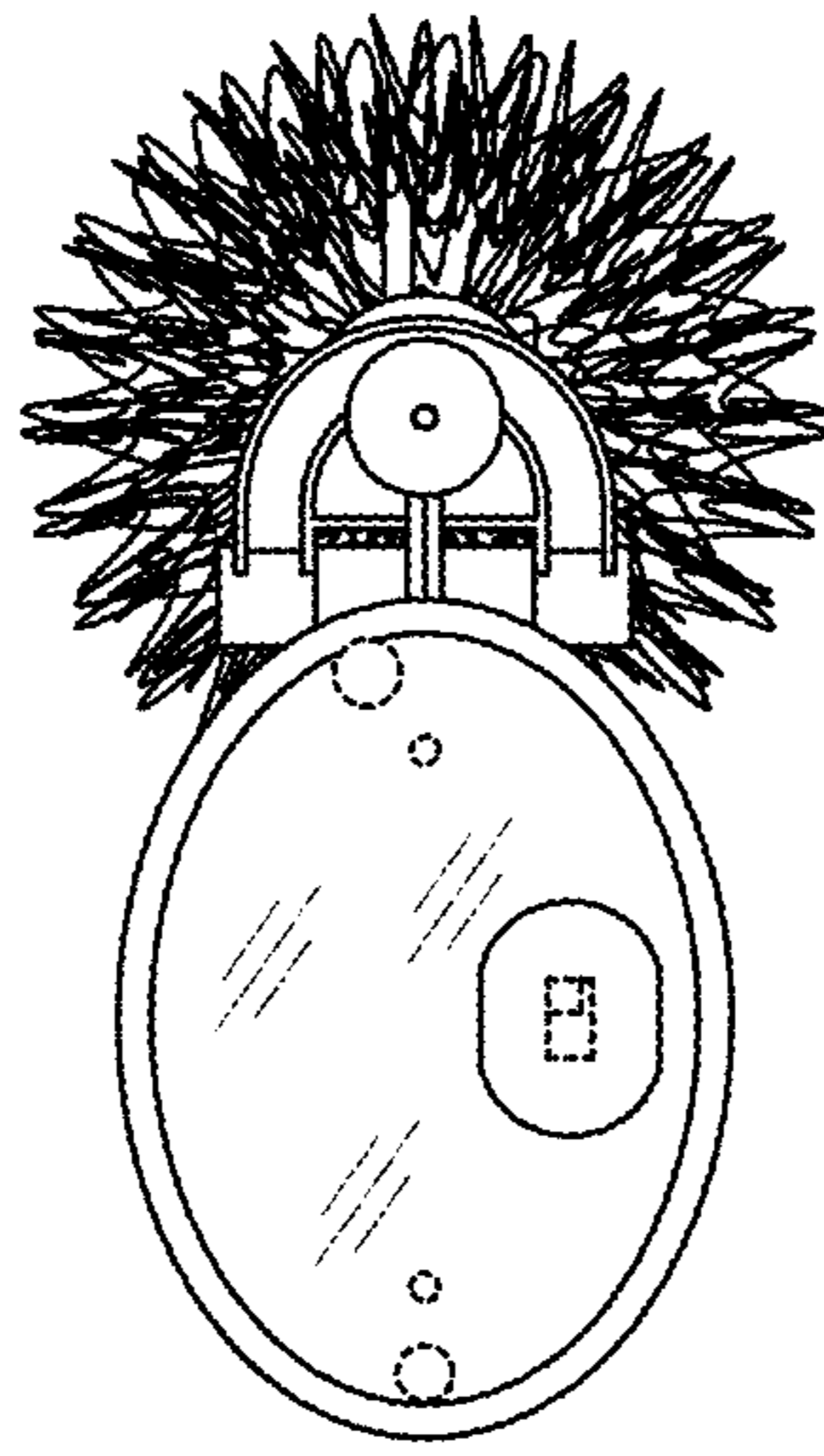


FIG. 6

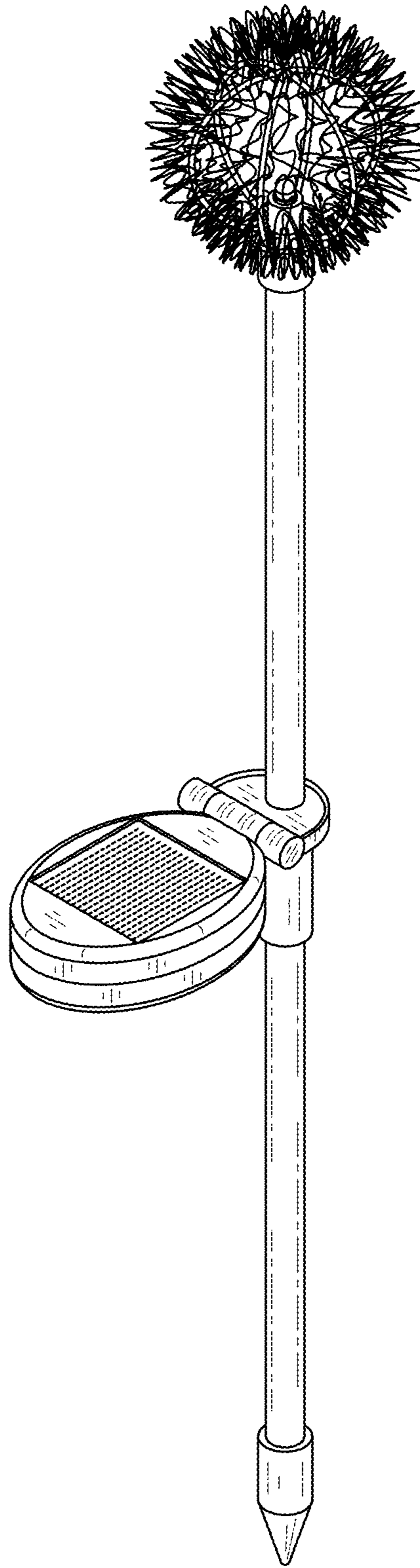


FIG. 7

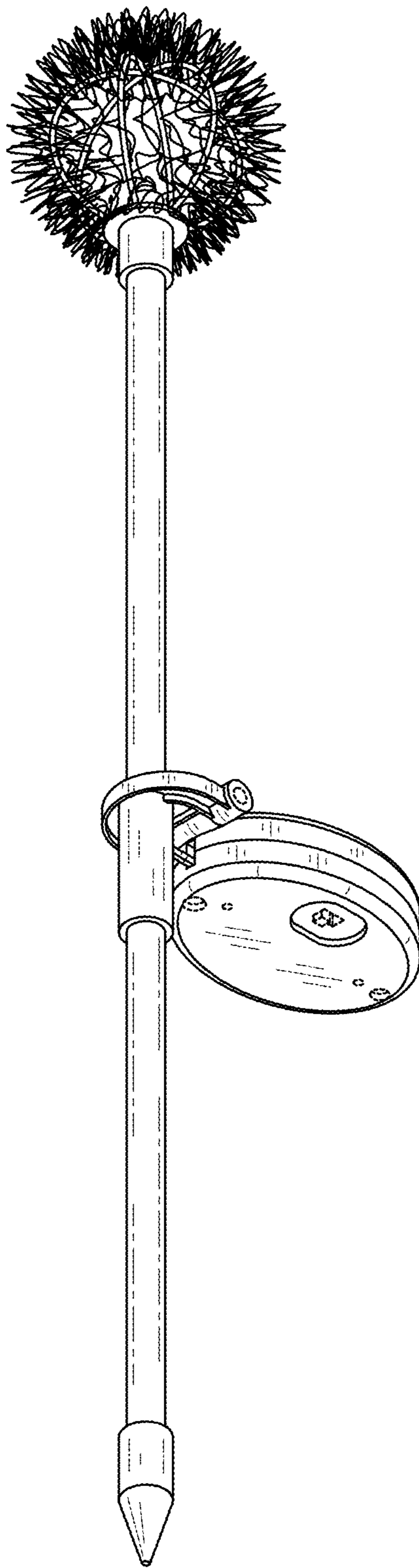


FIG. 8