



US00D881433S

(12) **United States Design Patent**  
**Chen**

(10) **Patent No.:** **US D881,433 S**

(45) **Date of Patent:** **\*\* Apr. 14, 2020**

(54) **SOLAR POWERED OUTDOOR LIGHT**

(71) Applicant: **Zhenzhong Chen**, Guangdong (CN)

(72) Inventor: **Zhenzhong Chen**, Guangdong (CN)

(\*\*) Term: **15 Years**

(21) Appl. No.: **29/659,769**

(22) Filed: **Aug. 12, 2018**

(51) **LOC (12) Cl.** ..... **26-05**

(52) **U.S. Cl.**  
USPC ..... **D26/67; D26/63**

(58) **Field of Classification Search**  
USPC ..... D26/63, 67-70, 85  
CPC .. F21S 8/081; F21S 8/083; F21S 8/088; F21S  
9/03; F21S 9/032; F21S 9/035; F21V  
21/0824; F21W 2111/02; F21W 2111/023;  
F21W 2131/109

See application file for complete search history.

(56) **References Cited**

**U.S. PATENT DOCUMENTS**

D277,511 S *	2/1985	Patel .....	D26/63
D413,996 S *	9/1999	Andrus .....	D26/63
D615,688 S *	5/2010	Chen .....	D26/63
D647,234 S *	10/2011	Izardel .....	D26/65
D762,903 S *	8/2016	Tsai .....	D26/63
D798,484 S *	9/2017	Lentine .....	D26/63
D829,356 S *	9/2018	Yang .....	D26/63
D841,858 S *	2/2019	Deng .....	D26/68

D846,791 S *	4/2019	Liang .....	D26/113
D848,046 S *	5/2019	Zhuo .....	D26/67
D849,299 S *	5/2019	Shi .....	D26/68
2016/0369996 A1 *	12/2016	Qin .....	F21V 21/0824
2017/0191631 A1 *	7/2017	Lentine .....	F21S 10/007

**OTHER PUBLICATIONS**

IP68 Waterproof Solar Powered Spotlight from <<https://tr.geekbuying.com>> visited Nov. 27, 2019. (Year: 2019).\*

InnoGear Upgraded Solar Lights 2-in-1 Waterproof Outdoor Landscape Lighting Spotlight Wall Light sold at amazon.com as early as May 2, 2016. (Year: 2016).\*

\* cited by examiner

*Primary Examiner* — Clare E Hefflin

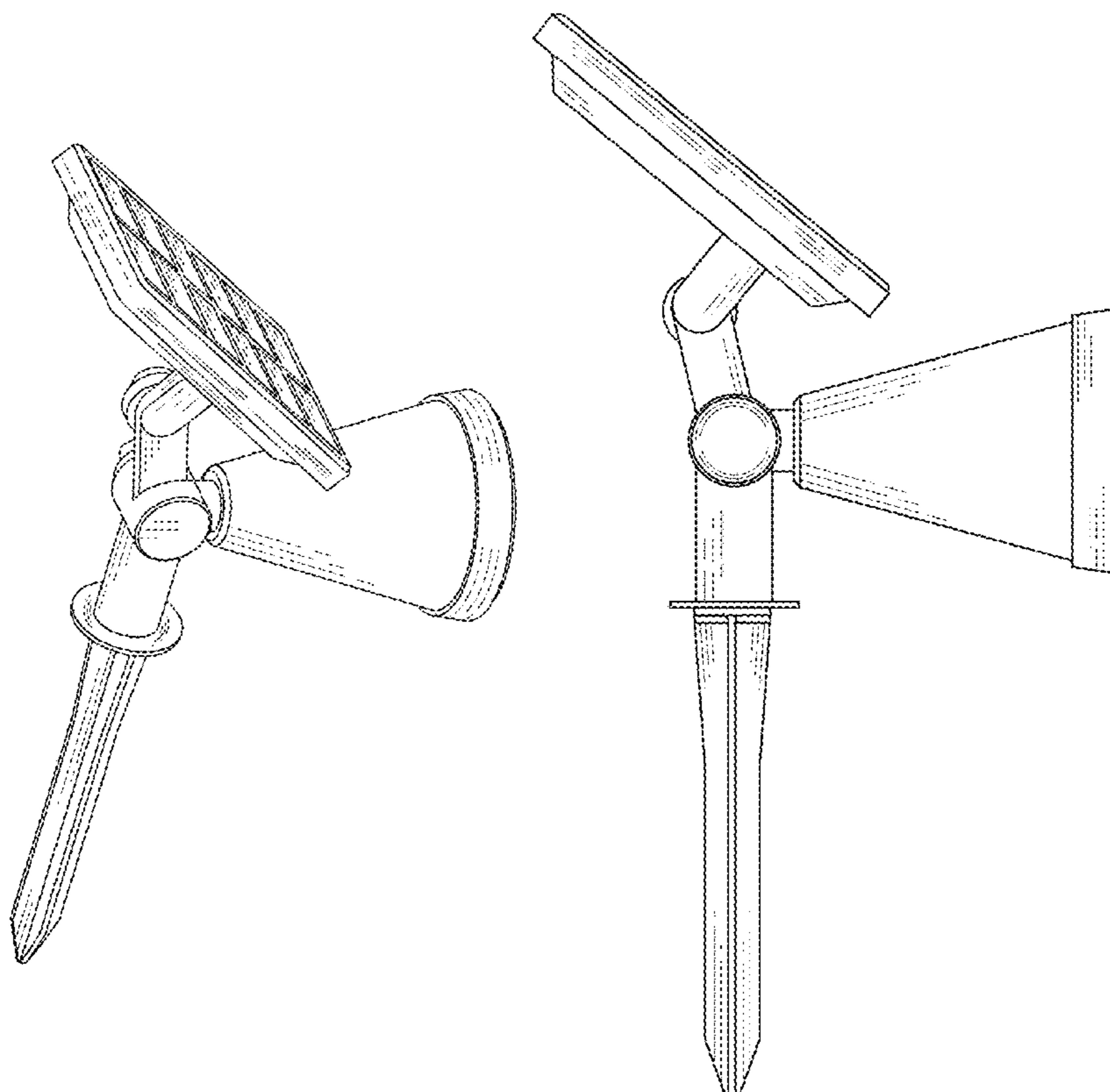
(57) **CLAIM**

I claim the ornamental design for a solar powered outdoor light, as shown and described.

**DESCRIPTION**

FIG. 1 is a perspective view of a solar powered outdoor light showing my new design;  
FIG. 2 is a front elevational view thereof;  
FIG. 3 is a rear elevational view thereof;  
FIG. 4 is a left side elevational view thereof;  
FIG. 5 is a right side elevational view thereof;  
FIG. 6 is a top plan view thereof; and,  
FIG. 7 is a bottom plan view thereof.  
The broken lines shown depict environment that forms no part of the claimed design.

**1 Claim, 7 Drawing Sheets**



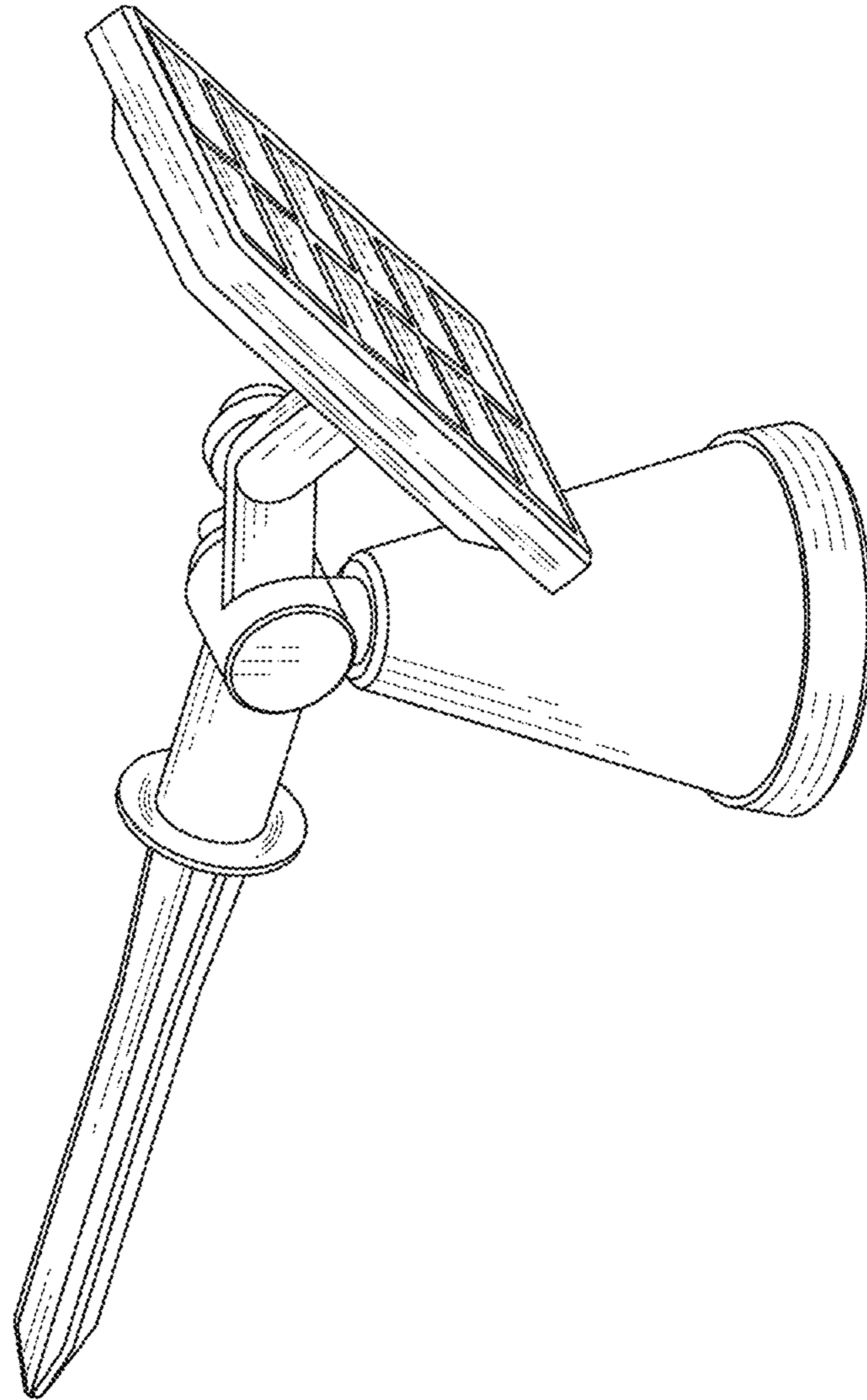


FIG.1

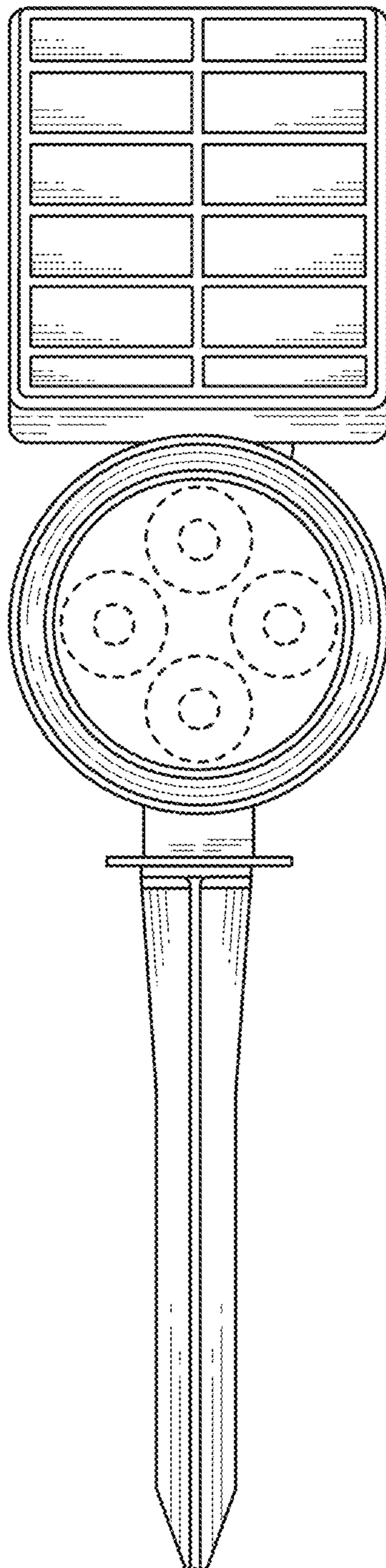


FIG.2

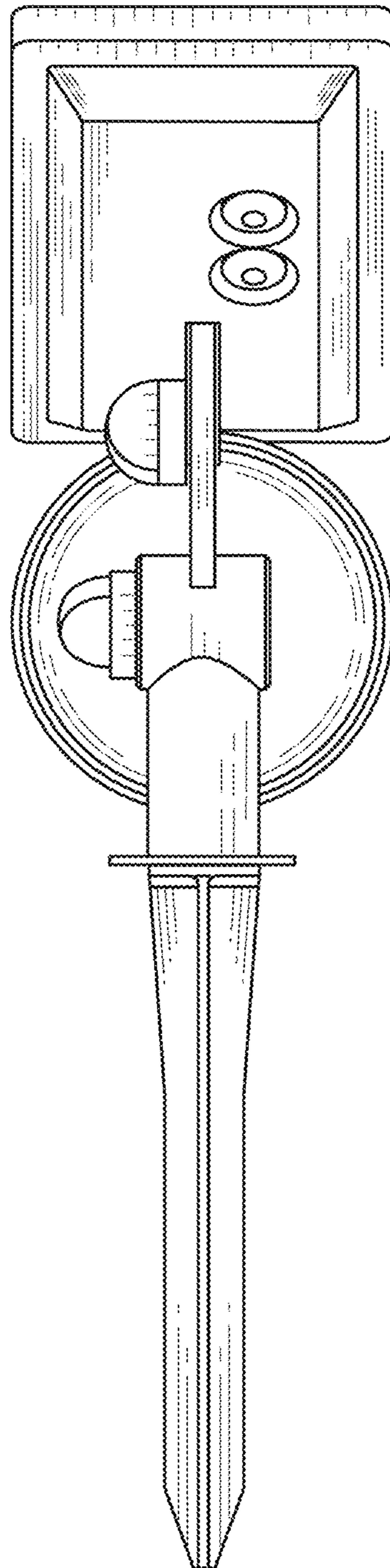


FIG.3



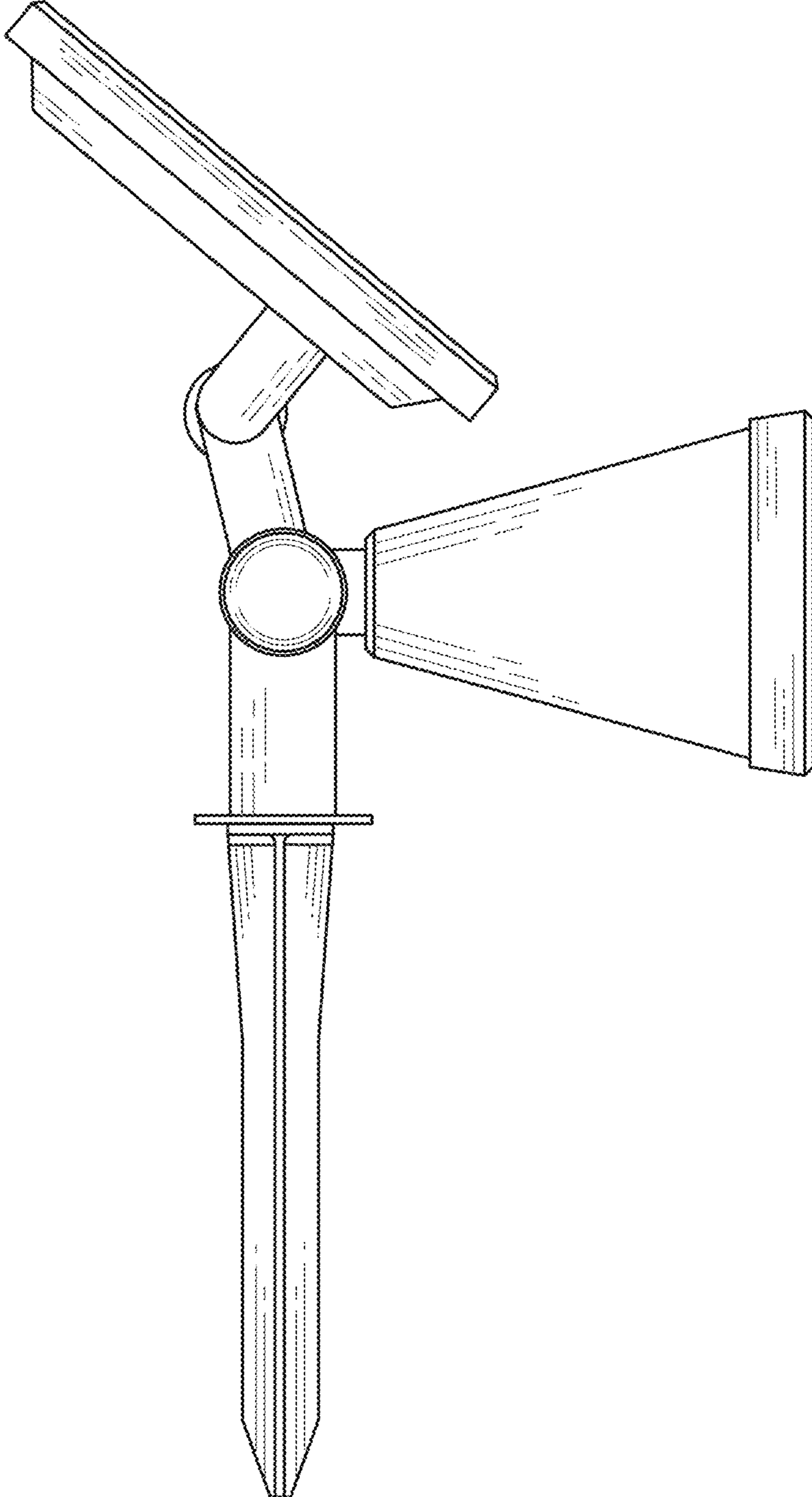


FIG.4

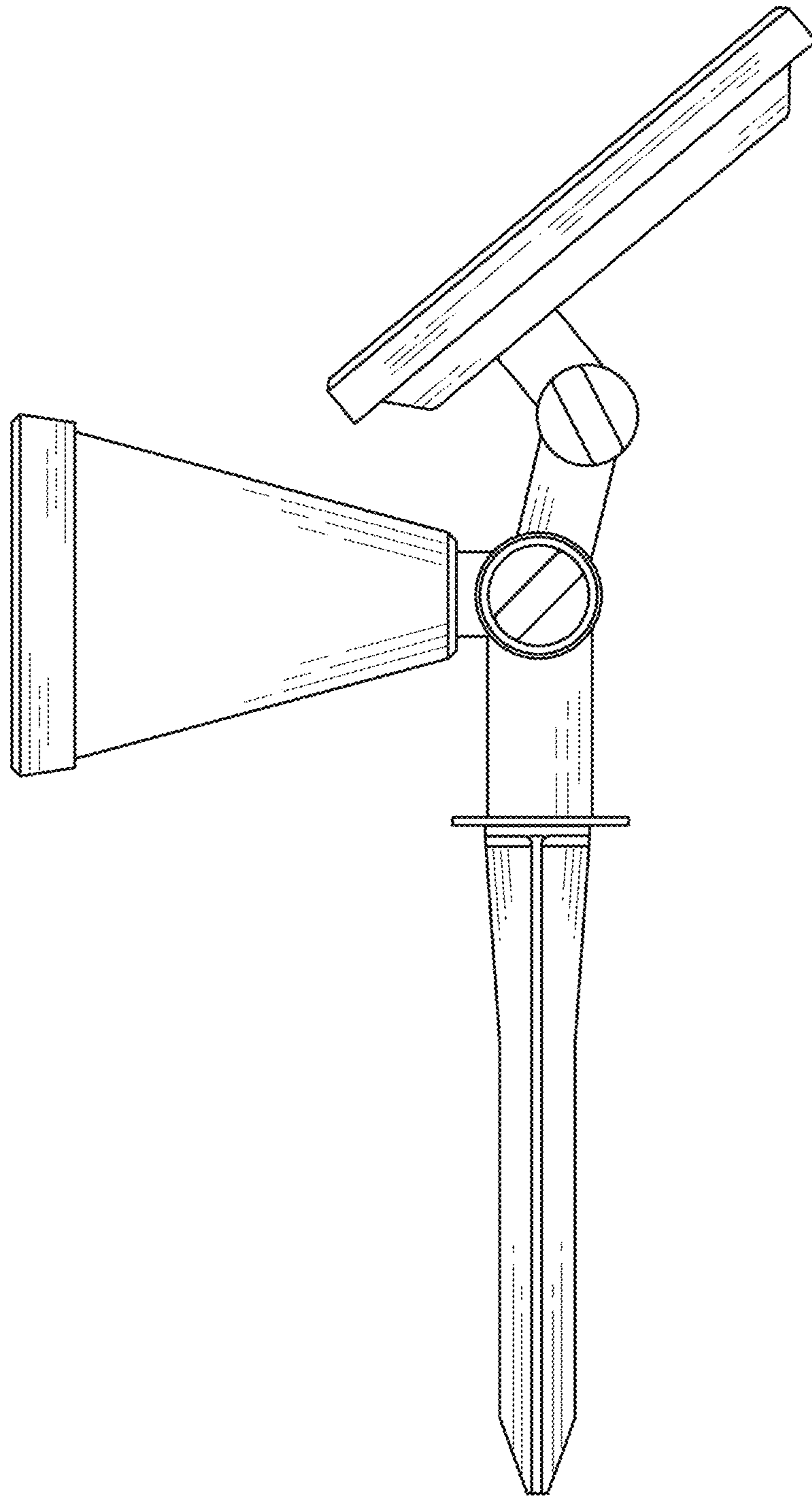


FIG.5

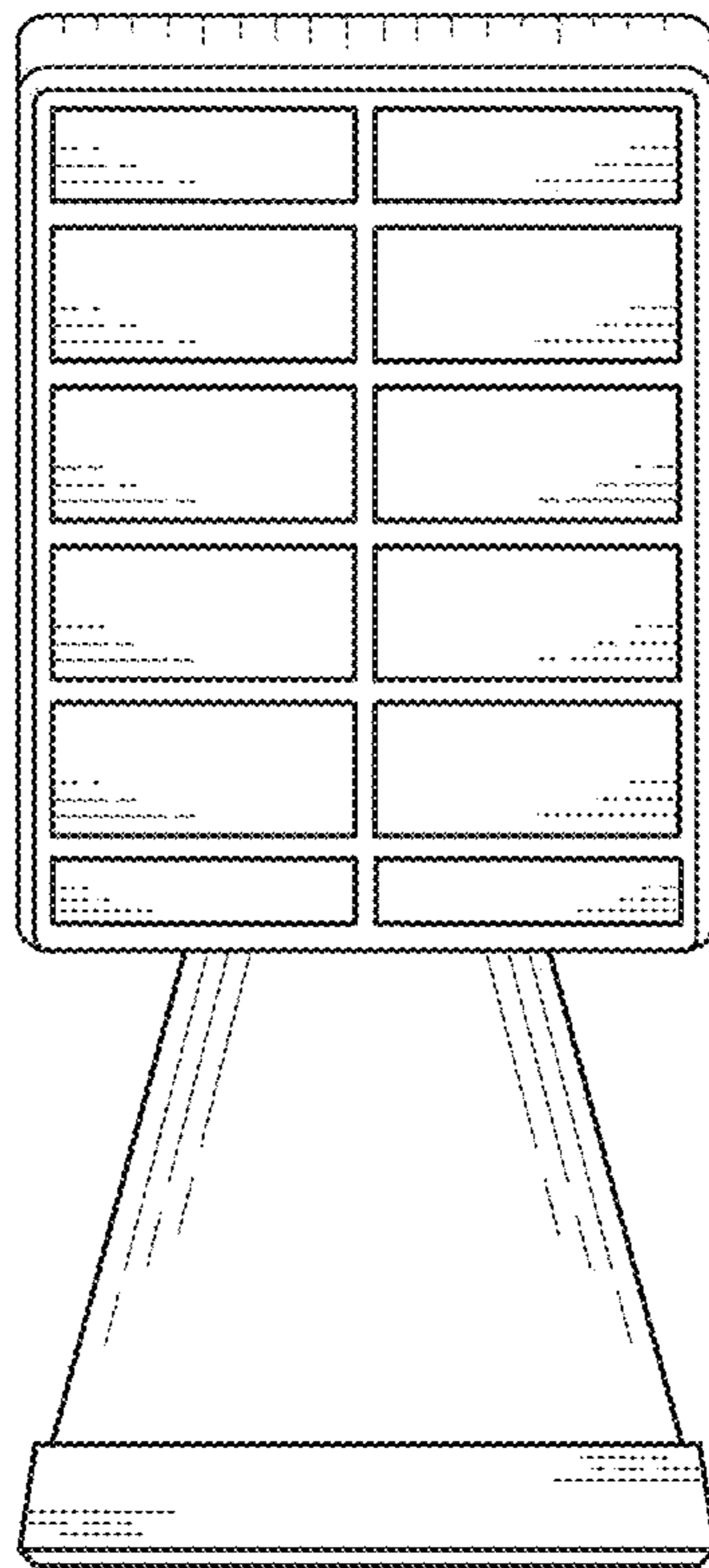


FIG.6

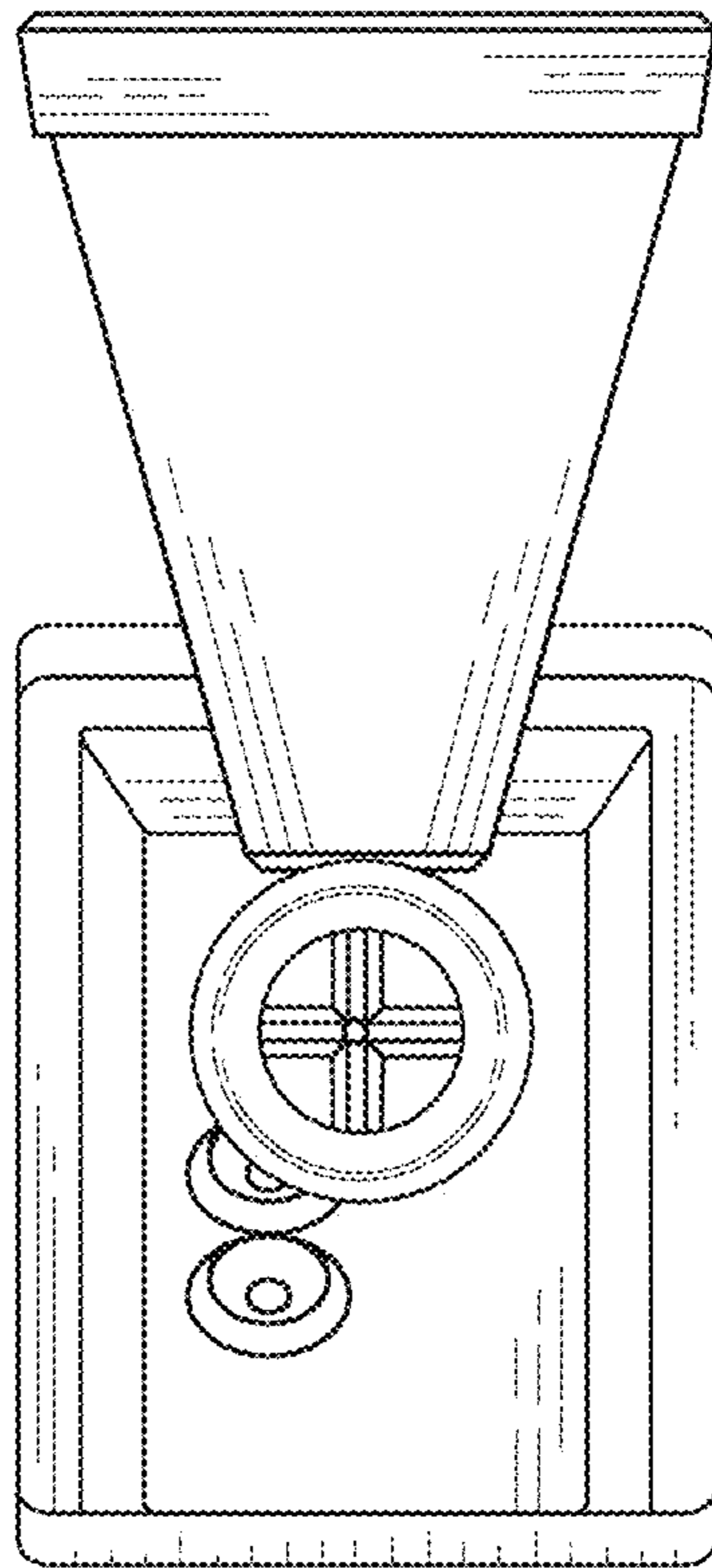


FIG. 7