



US00D881432S

(12) **United States Design Patent**
Windom et al.

(10) **Patent No.:** **US D881,432 S**
(45) **Date of Patent:** **** Apr. 14, 2020**

(54) **FLASHLIGHT**

(71) Applicant: **COAST CUTLERY CO.**, Portland, OR (US)

(72) Inventors: **Gregory David Windom**, Portland, OR (US); **Hai Rong Shi**, Yangjiang (CN); **Chao Jun Ding**, Yangjiang (CN)

(73) Assignee: **Coast Cutlery Co.**, Portland, OR (US)

(**) Term: **15 Years**

(21) Appl. No.: **29/634,175**

(22) Filed: **Jan. 18, 2018**

(51) **LOC (12) Cl.** **26-02**

(52) **U.S. Cl.**
USPC **D26/49**

(58) **Field of Classification Search**
USPC D26/37-51
CPC F21L 2003/00; F21L 4/00; F21L 4/005;
F21L 4/02; F21L 4/025; F21L 4/027;
F21L 4/04; F21L 4/08; F21L 2005/00;
F21L 7/00; F21L 11/00; F21L 13/00;
F21L 13/04; F21L 13/08; F21L 14/02;
F21L 17/00; F21L 19/00; F21L 25/00
See application file for complete search history.

(56) **References Cited**

U.S. PATENT DOCUMENTS

D564,116 S *	3/2008	Linardos	D26/49
D639,476 S *	6/2011	Robinson	D26/49
D675,357 S *	1/2013	Shi	D26/49
D683,877 S *	6/2013	Brands	D26/49
D698,961 S *	2/2014	Dalton	D26/49
D701,340 S *	3/2014	Opolka	D26/49
D710,526 S *	8/2014	Lee	D26/49
D747,024 S *	1/2016	Windom	D26/49
D794,857 S *	8/2017	Sharrah	D26/49
D809,169 S *	1/2018	Grandadam	D26/38

D810,337 S *	2/2018	Eichelberger	D26/49
D814,088 S *	3/2018	Cao	D26/49
D823,508 S *	7/2018	Windom	D26/49
D828,940 S *	9/2018	Qiu	D26/49
D833,051 S *	11/2018	Qiu	D26/49

OTHER PUBLICATIONS

Stun Gun Flashlight, [online], [site visited Oct. 31, 2019]. Available from internet, <<https://www.youtube.com/watch?v=pE7NNf8JIXw>> 1 page (Year: 2012).*

* cited by examiner

Primary Examiner — Lakiya G Rogers

Assistant Examiner — Carissa C Fitts

(74) *Attorney, Agent, or Firm* — SchwabeWilliamson & Wyatt, P.C.

(57) **CLAIM**

We claim the ornamental design for a flashlight, as shown and described.

DESCRIPTION

FIG. 1 is a perspective view of an embodiment of the present invention;

FIG. 2 is a front elevation view of the embodiment of FIG. 1;

FIG. 3 is a rear elevation view of the embodiment of FIGS. 1-2;

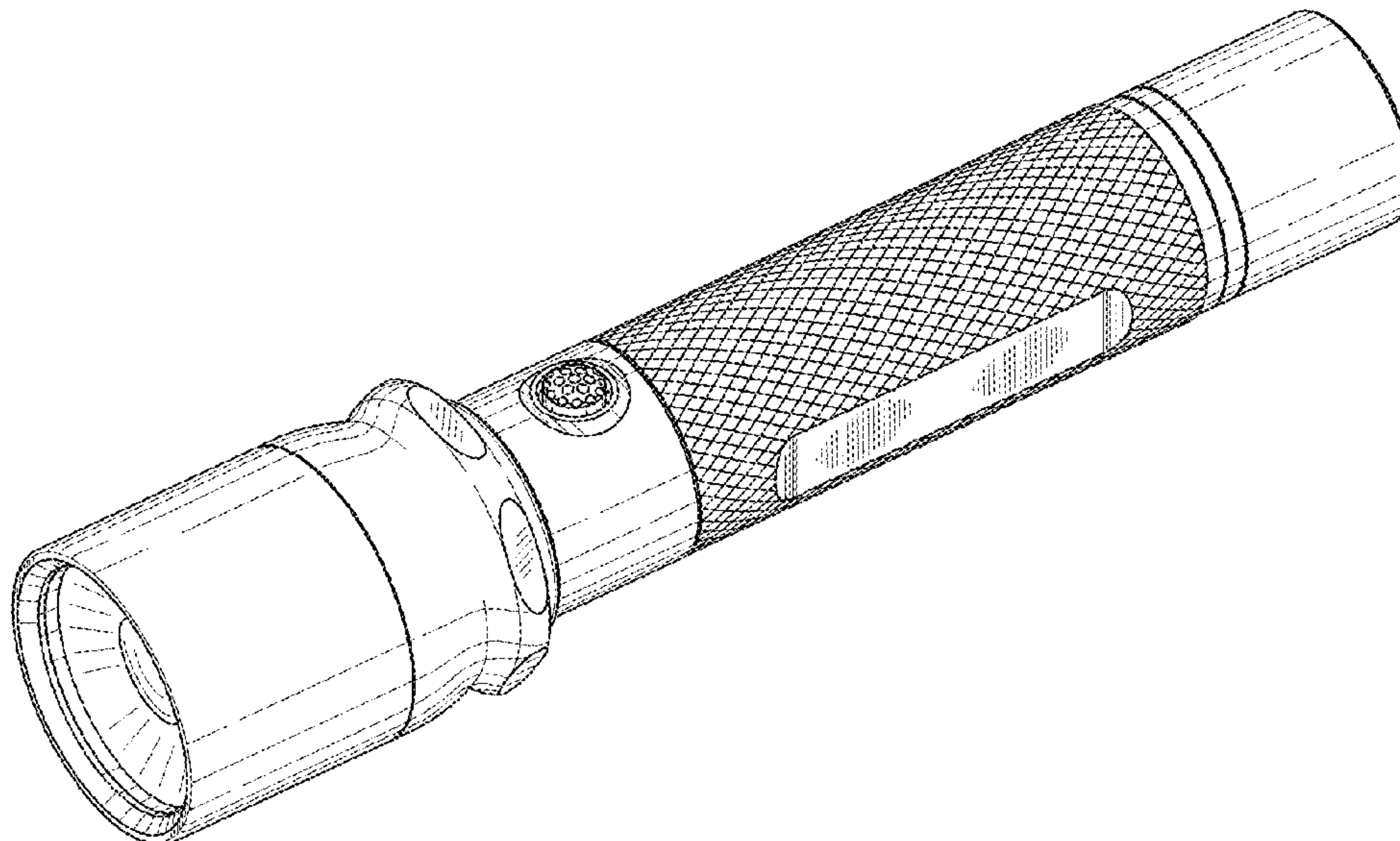
FIG. 4 is a side elevation view of the embodiment of FIGS. 1-3 from the left side;

FIG. 5 is a side elevation view of the embodiment of FIGS. 1-4 from the right side;

FIG. 6 is a top plan view of the embodiment of FIGS. 1-5; and,

FIG. 7 is a bottom view of the embodiment of FIGS. 1-6. The broken lines show portions of the article which form no part of the claimed design.

1 Claim, 2 Drawing Sheets



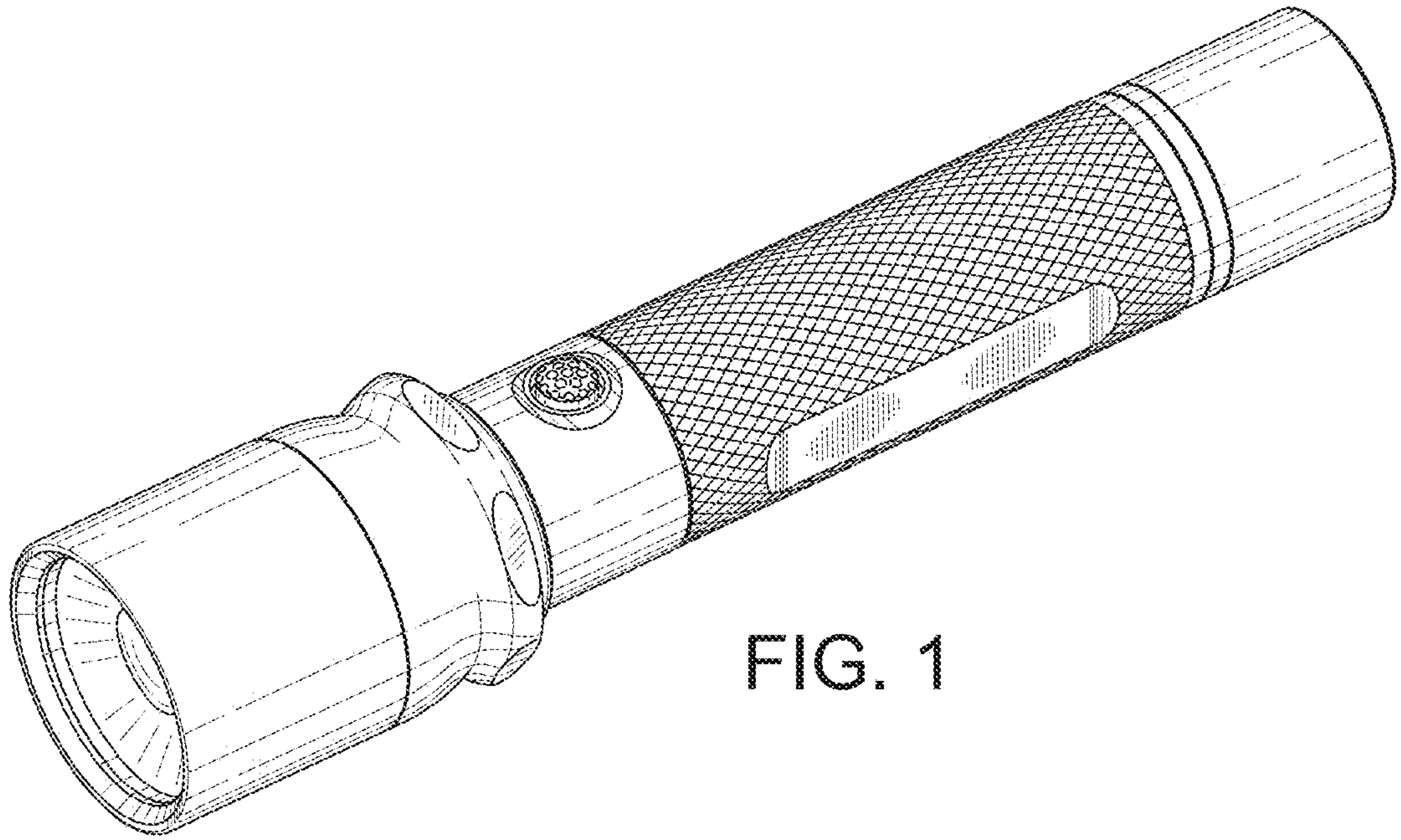


FIG. 1

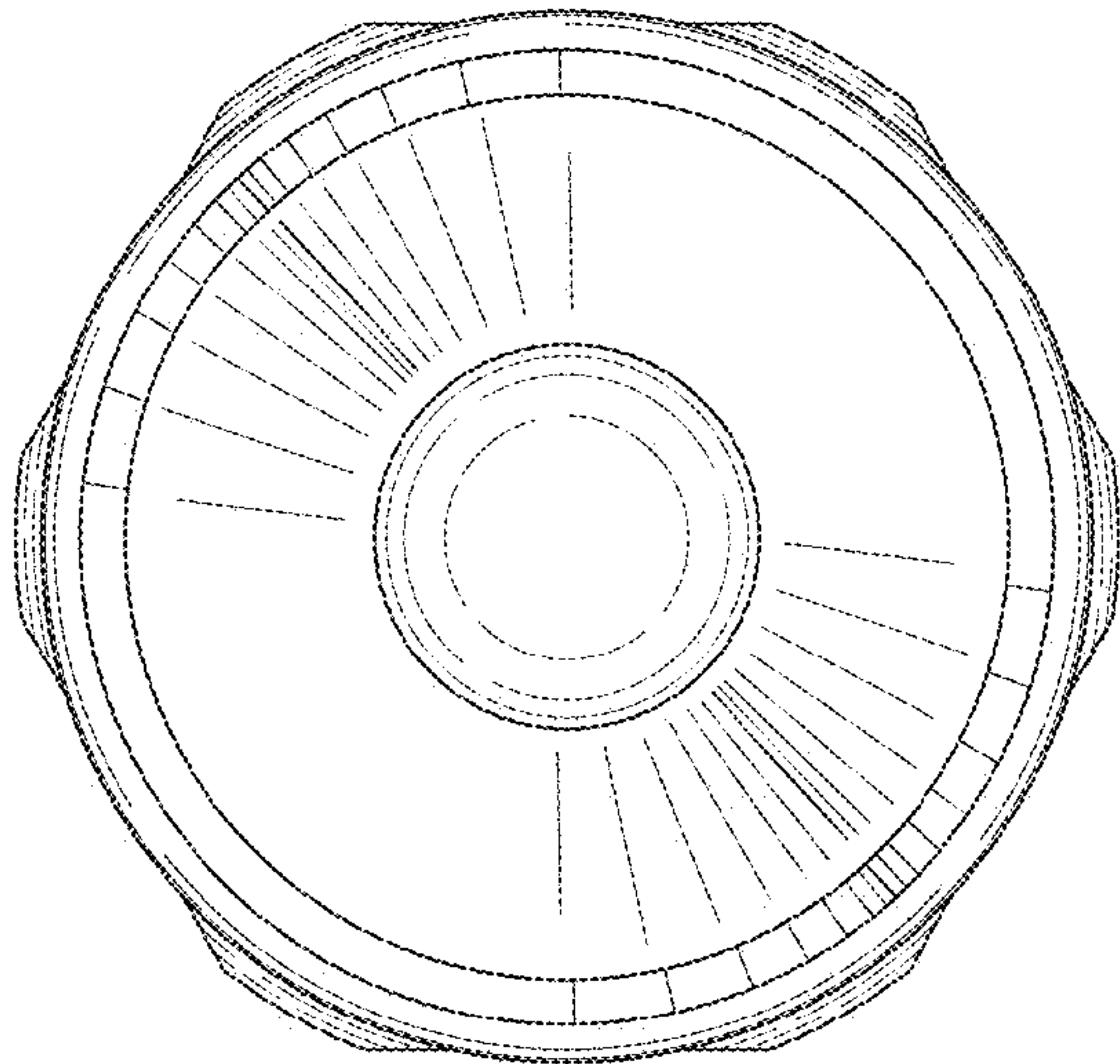


FIG. 2

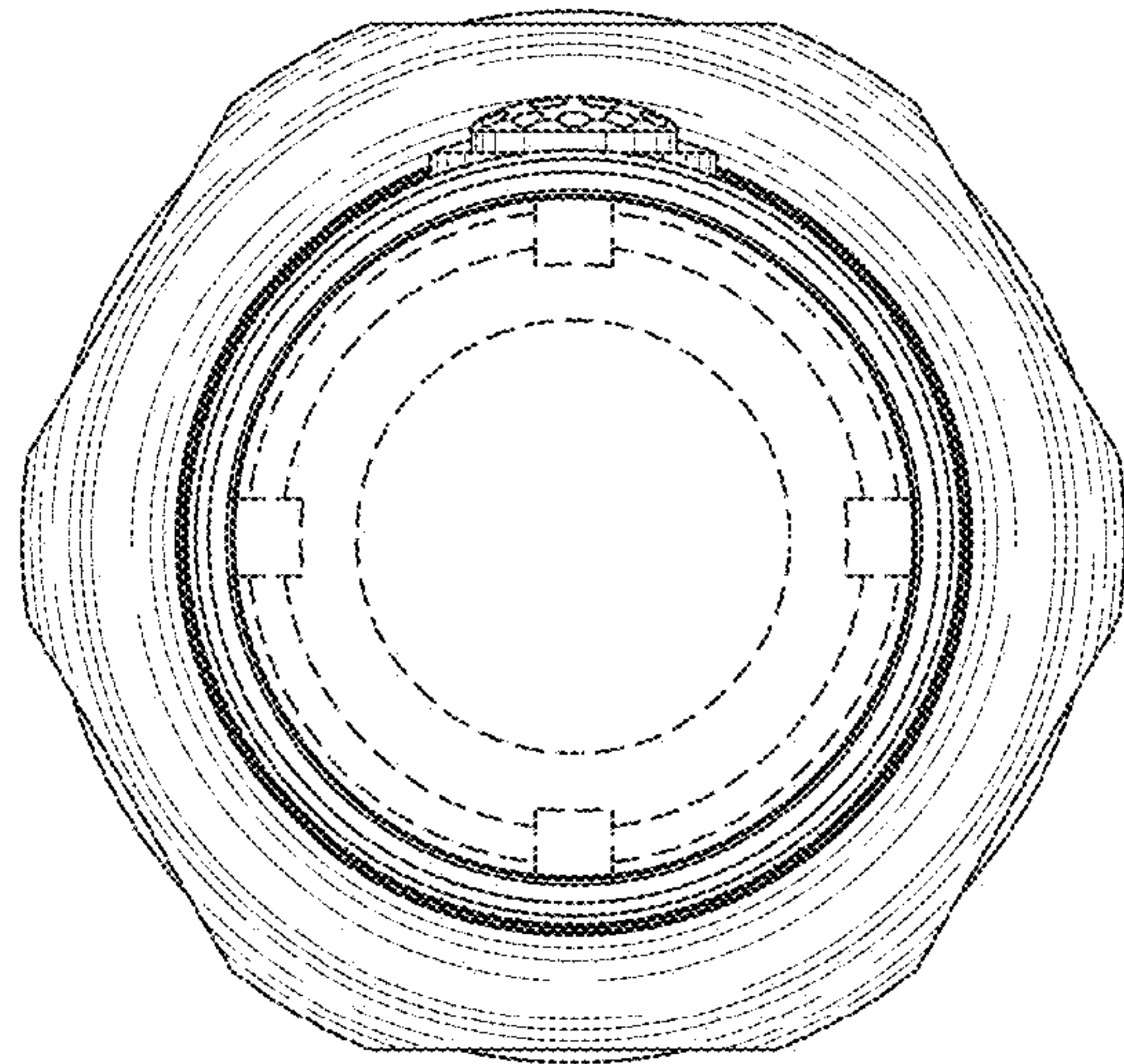


FIG. 3

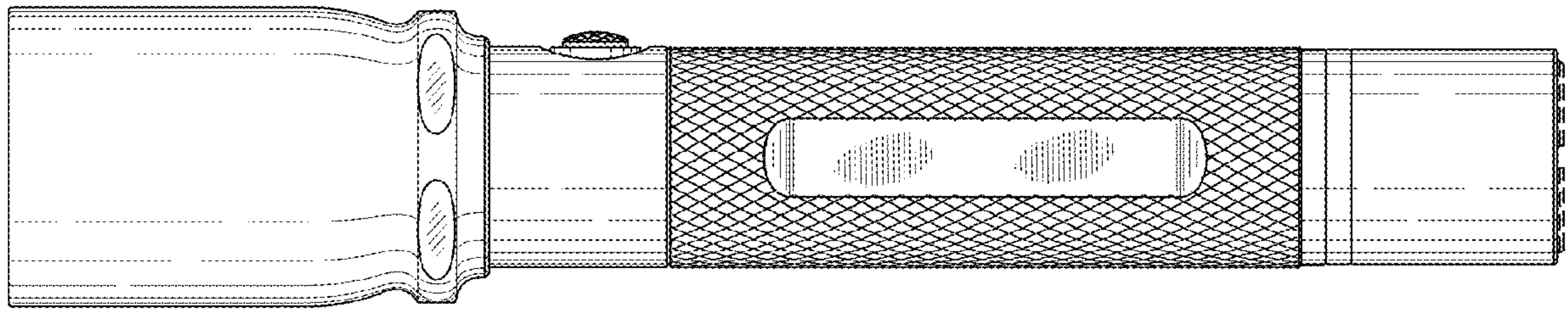


FIG. 4

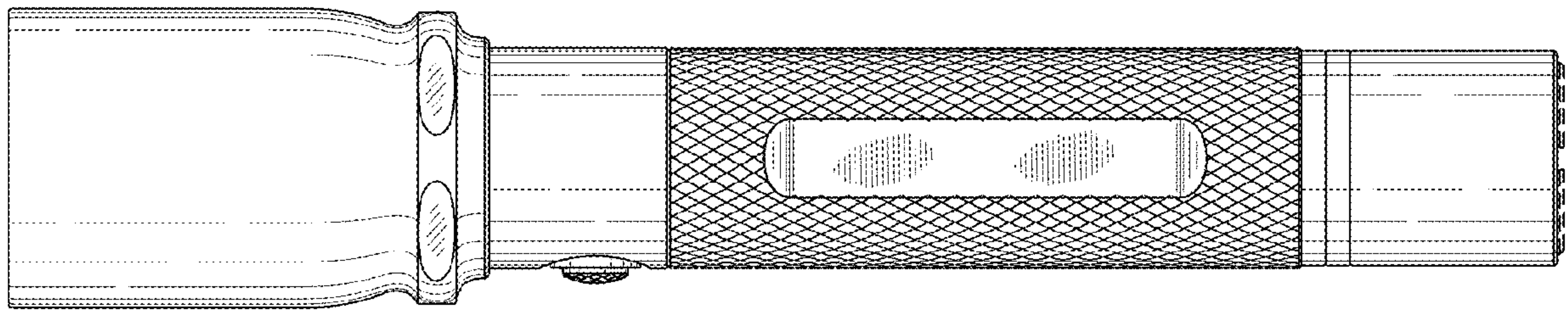


FIG. 5

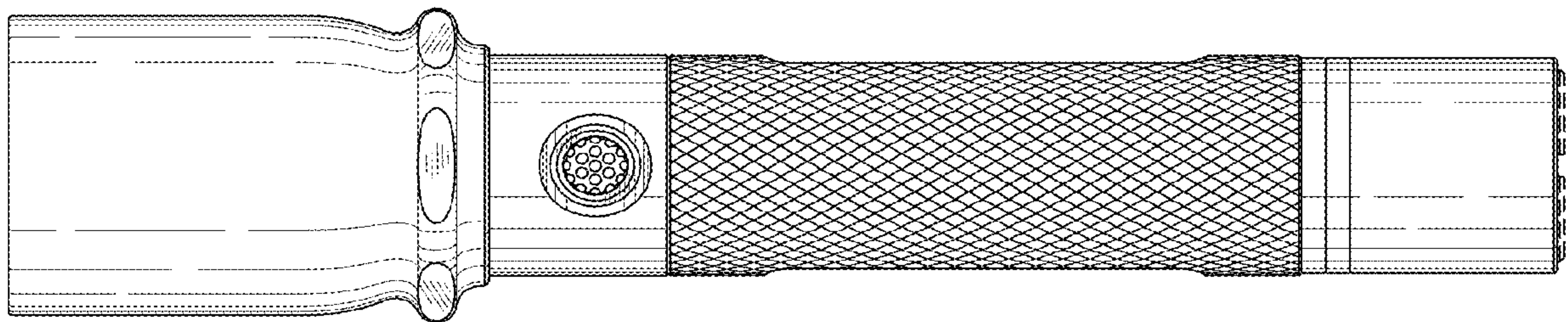


FIG. 6

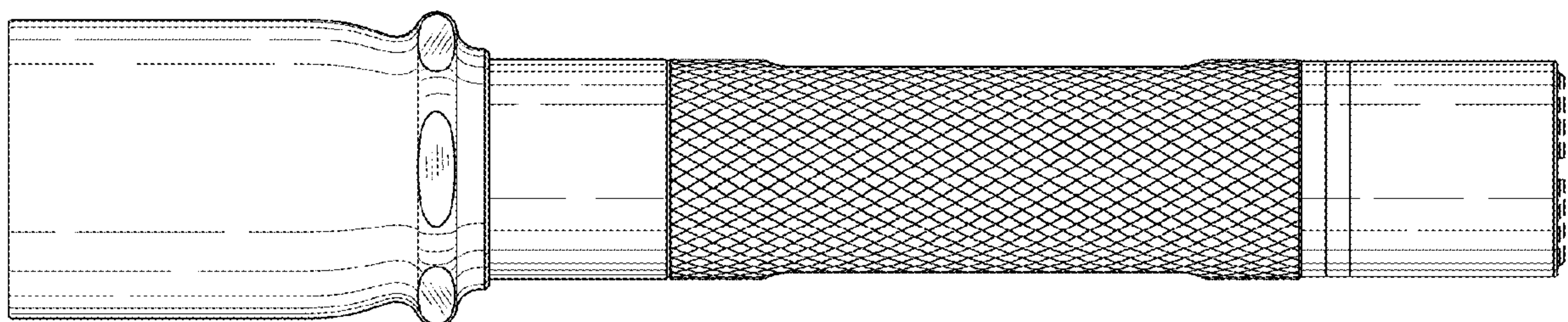


FIG. 7