



US00D881431S

(12) **United States Design Patent**
Burczyk et al.

(10) **Patent No.:** **US D881,431 S**
(45) **Date of Patent:** **** Apr. 14, 2020**

(54) **LANTERN**

(71) Applicant: **OTTER PRODUCTS, LLC**, Fort Collins, CO (US)

(72) Inventors: **Jacob Burczyk**, Fort Collins, CO (US); **Ethan Cole**, Fort Collins, CO (US); **John M. Howe**, Windsor, CO (US); **Harper Janasek**, Fort Collins, CO (US); **Jamie L. Johnson**, Fort Collins, CO (US); **Himaghna Kuntumalla**, Fort Collins, CO (US); **Niyati Kuntumalla**, Fort Collins, CO (US); **Christopher J. Melanson**, Fort Collins, CO (US); **Abby Muleski**, Fort Collins, CO (US); **Grayden Pustilnik**, Fort Collins, CO (US); **Thomas H. Vincent**, Fort Collins, CO (US); **Robert J. Willis**, Fort Collins, CO (US); **Madison J. Winey**, Fort Collins, CO (US); **Tracey Winey**, Fort Collins, CO (US)

(**) Term: **15 Years**

(21) Appl. No.: **29/672,964**

(22) Filed: **Dec. 11, 2018**

(51) **LOC (12) Cl.** **26-02**

(52) **U.S. Cl.**
USPC **D26/37**

(58) **Field of Classification Search**
USPC D26/1, 24, 25, 43, 60, 110, 113, 28, 37, D26/61, 85, 102, 138-140, 39, 362/249.14, 311.02, 311.13; D13/102-110, 184
CPC F21S 4/00; F21S 4/10; F21S 4/15; F21S 4/26; F21S 8/00; F21S 8/03; F21S 8/033; F21S 8/036; F21S 9/037; F21S 9/02; F21S 9/022; F21V 11/02; F21V 11/06; F21V 17/10; F21V 17/16; F21V 23/00; F21V 23/04; F21V 33/00; F21V 1/00; F21V 1/10; F21V 1/143; F21W 2121/00;

F21W 2121/04; F21Y 2115/10; F21L 4/00; F21L 4/02; F21L 4/04; F21L 4/08; H01M 2/02; H01M 2/0207; H01M 2/1022; H01M 2/0212

See application file for complete search history.

(56) **References Cited**

U.S. PATENT DOCUMENTS

1,120,024 A 12/1914 Carney
4,520,431 A 5/1985 Fanelli et al.
4,646,213 A 2/1987 Fanelli et al.
5,012,394 A 4/1991 Woodward

(Continued)

OTHER PUBLICATIONS

Bigfoot Outdoor Products, "Bigfoot Outdoor Products Compact Solar Camping Lantern with USB Powerbank," downloaded from <https://bigfootoutdoorusa.com/bop-kit-6/> on Nov. 13, 2018, 2 pages.

(Continued)

Primary Examiner — Abraham Bahta

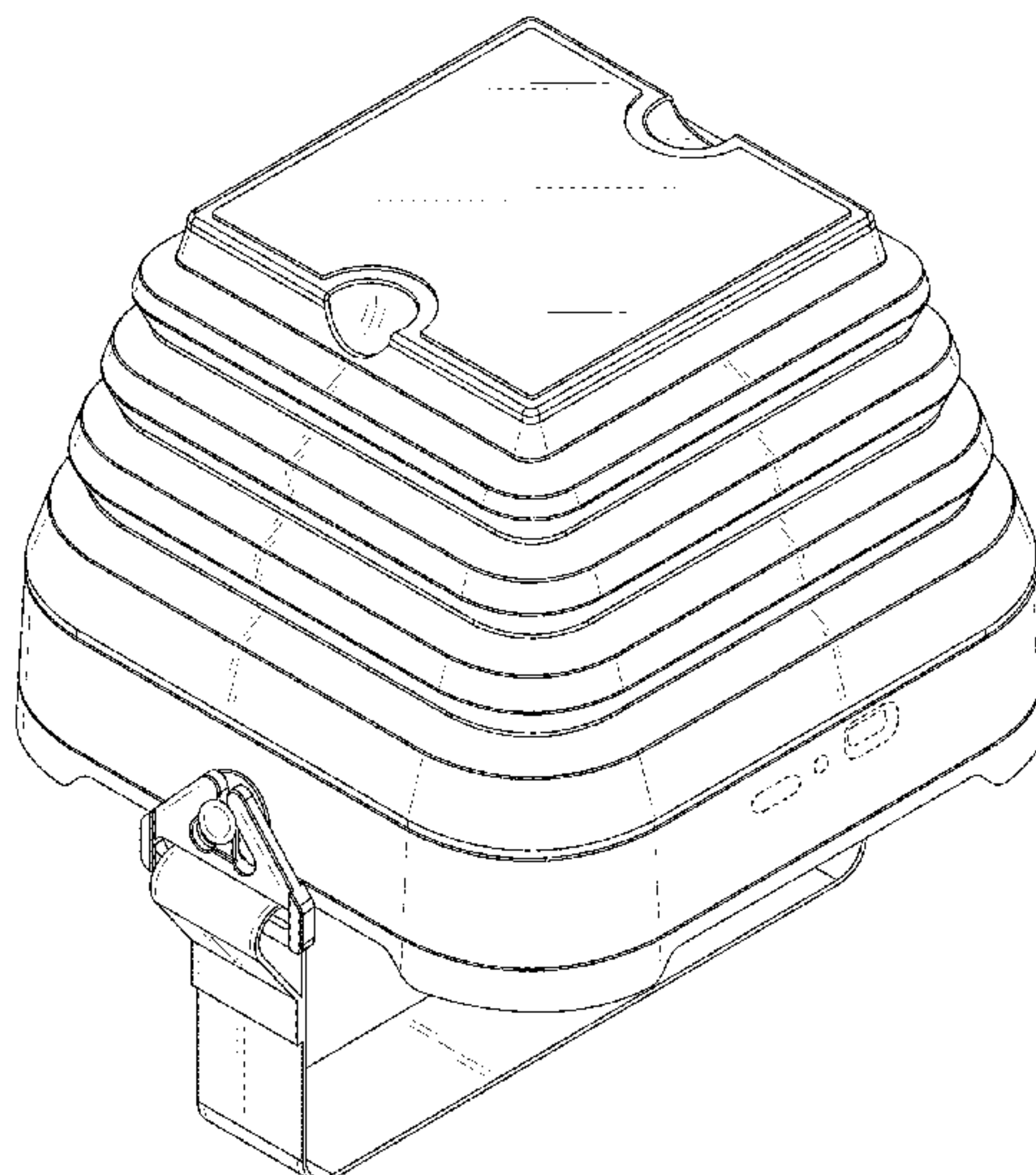
(57) **CLAIM**

The ornamental design for a lantern, as shown and described.

DESCRIPTION

FIG. 1 is a front perspective view of a lantern; FIG. 2 is a rear bottom perspective view thereof; FIG. 3 is a front view thereof; FIG. 4 is a rear view thereof; FIG. 5 is a left view thereof; FIG. 6 is a right view thereof; FIG. 7 is a top view thereof; and, FIG. 8 is a bottom view thereof. The dash-dash broken lines depict unclaimed subject matter. The broken lines and unshaded surfaces bounded by broken lines form no part of the claimed design.

1 Claim, 8 Drawing Sheets



(56)

References Cited

U.S. PATENT DOCUMENTS

6,030,094	A	2/2000	Sedovic et al.	
6,305,820	B1	10/2001	Poon	
D452,023	S	12/2001	Poon	
7,021,788	B2	4/2006	Poon	
D652,972	S *	1/2012	Lee	D26/41
D658,324	S *	4/2012	Reimann	D26/40
8,192,044	B2	6/2012	Allsop et al.	
8,657,461	B2	2/2014	Allsop et al.	
8,851,702	B2	10/2014	Lau	
8,939,601	B1	1/2015	Lee	
9,080,736	B1	7/2015	Salzinger et al.	
9,200,770	B2	12/2015	Chun	
9,255,675	B1	2/2016	Salzinger et al.	
9,347,629	B2	5/2016	Stork et al.	
D828,600	S *	9/2018	Petzl	D26/40
D850,682	S *	6/2019	DeBrunner	D26/40
D875,295	S *	2/2020	Fu	D26/106
2016/0109077	A1	4/2016	Chun	
2017/0211760	A9	7/2017	Sreshta et al.	

OTHER PUBLICATIONS

Camp4, "The 10 Best Outdoor LED Camping Lanterns," downloaded from <https://www.camp4.com/outdoor-led-camping-lanterns/> on Nov. 13, 2018, 34 pages.

Cascade Mountain Tech, "Amazon.com : Pop up LED Lantern—2 Pack—Perfect Lighting for Camping, BBQ's and Emergency Light: Sports & Outdoors," downloaded from www.amazon.com/Pop-LED-Lantern-LightingEmergency/dp/B01FGE90W1 on Aug. 20, 2018, 9 pages.

Goal Zero, "Amazon.com : Goal Zero Crush Light Solar Powered Lantern : Sports & Outdoors", downloaded from www.amazon.com/Goal-Zero-Crush-Powered-Lantern/dp/B07BMJPH8L?source=ps-sl-shoppingads-lpcontext&psc=1 on Aug. 20, 2018, 6 pages.

Goal Zero, "Crush Light," downloaded from <https://www.goalzero.com/shop/lights/crush-light/> on Nov. 13, 2018, 4 pages.

L.L.Bean, "Flashlights, Headlamps and Lanterns Outdoor Gear at L.L.Bean." downloaded from www.llbean.com on Aug. 20, 2018, 7 pages.

Luminaid, "PackLite Nova USB," downloaded from <https://luminaid.com/collections/solar-lanterns/products/packlite-nova-usb> on Nov. 13, 2018, 3 pages.

Odoland, "Solar LED lantern, Odoland 150 Lumen Collapsible Camping Lantern," downloaded from <http://www.odoland.com/product/product-67-252.html> on Nov. 13, 2018, 3 pages.

Taotronics, "TT-CL002 Camping Lantern Collapsible Flashlight LED Lantern," downloaded from www.taotronics.com/TT-CL002-Camping-Lantern-Collapsible-Flashlight.html on Aug. 20, 2018, 2 pages.

* cited by examiner

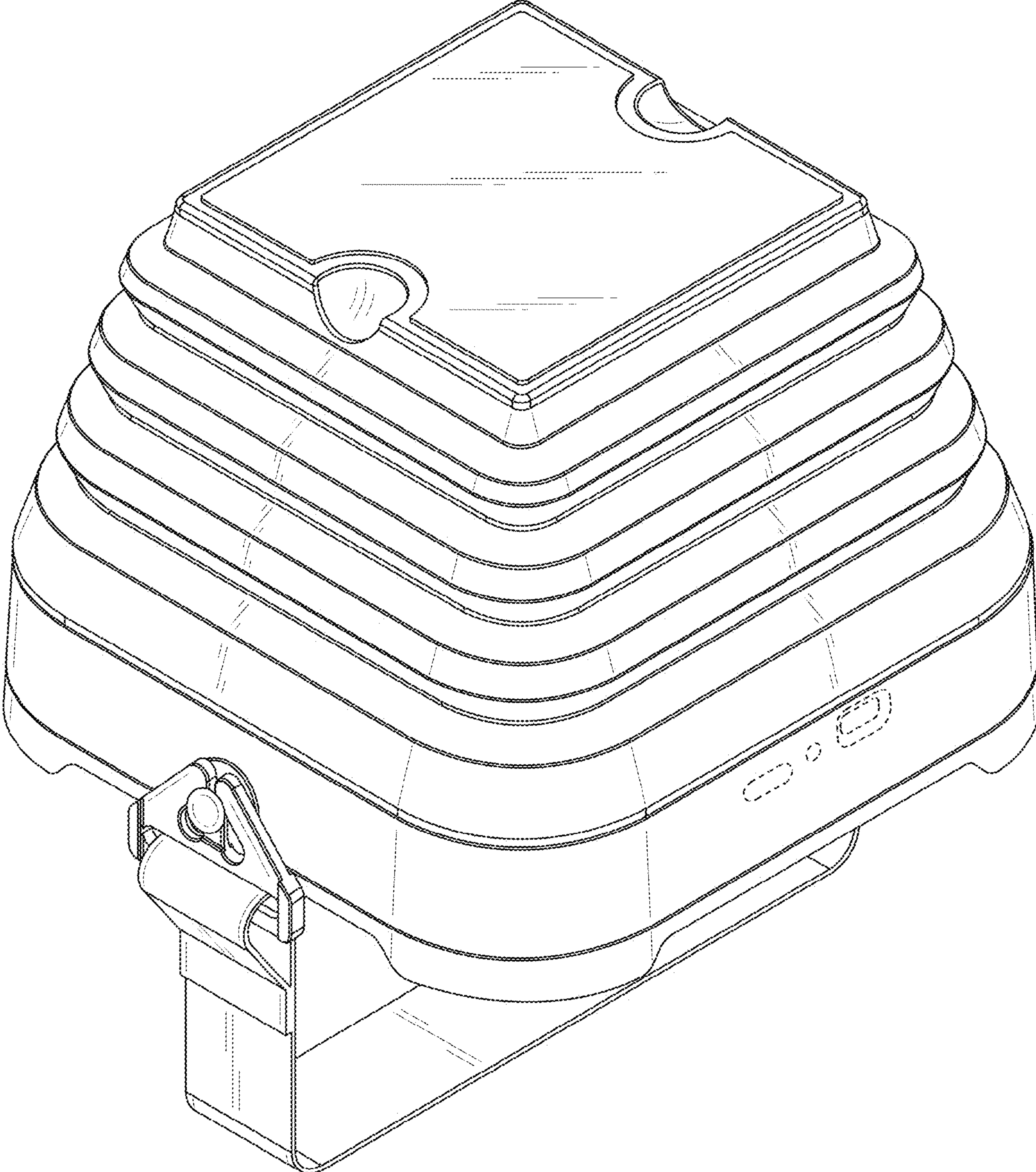


FIG. 1

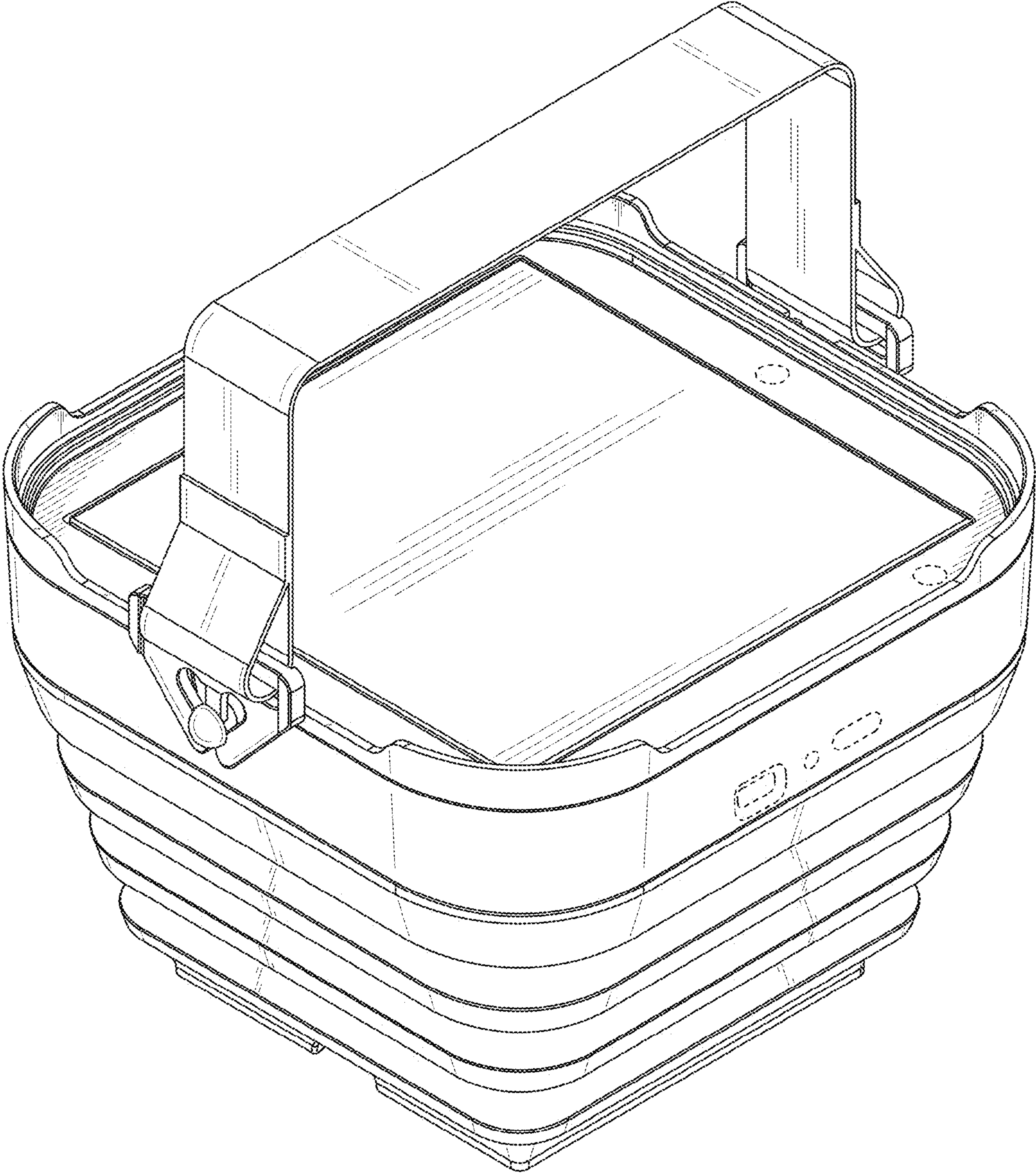


FIG. 2

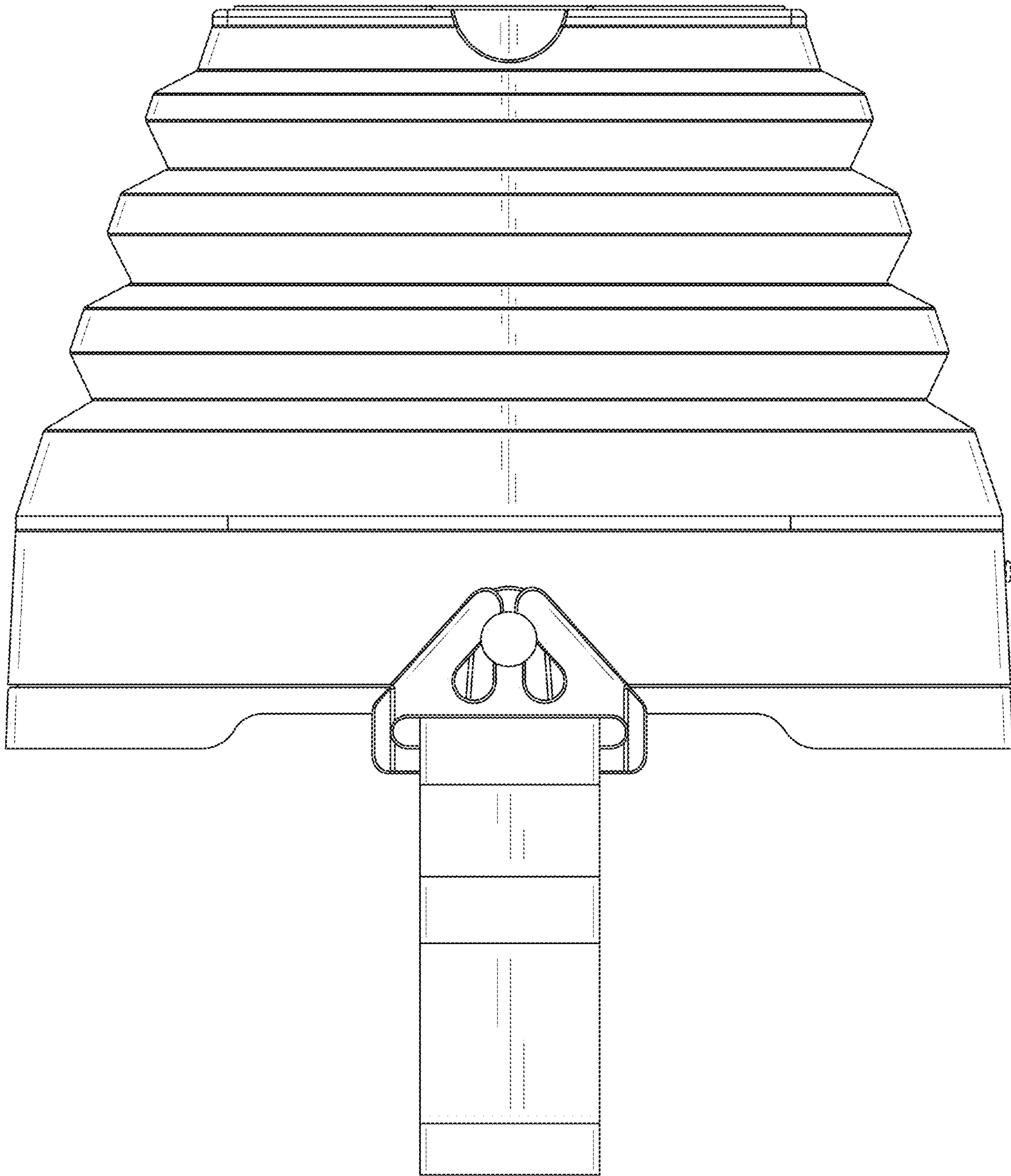


FIG. 3

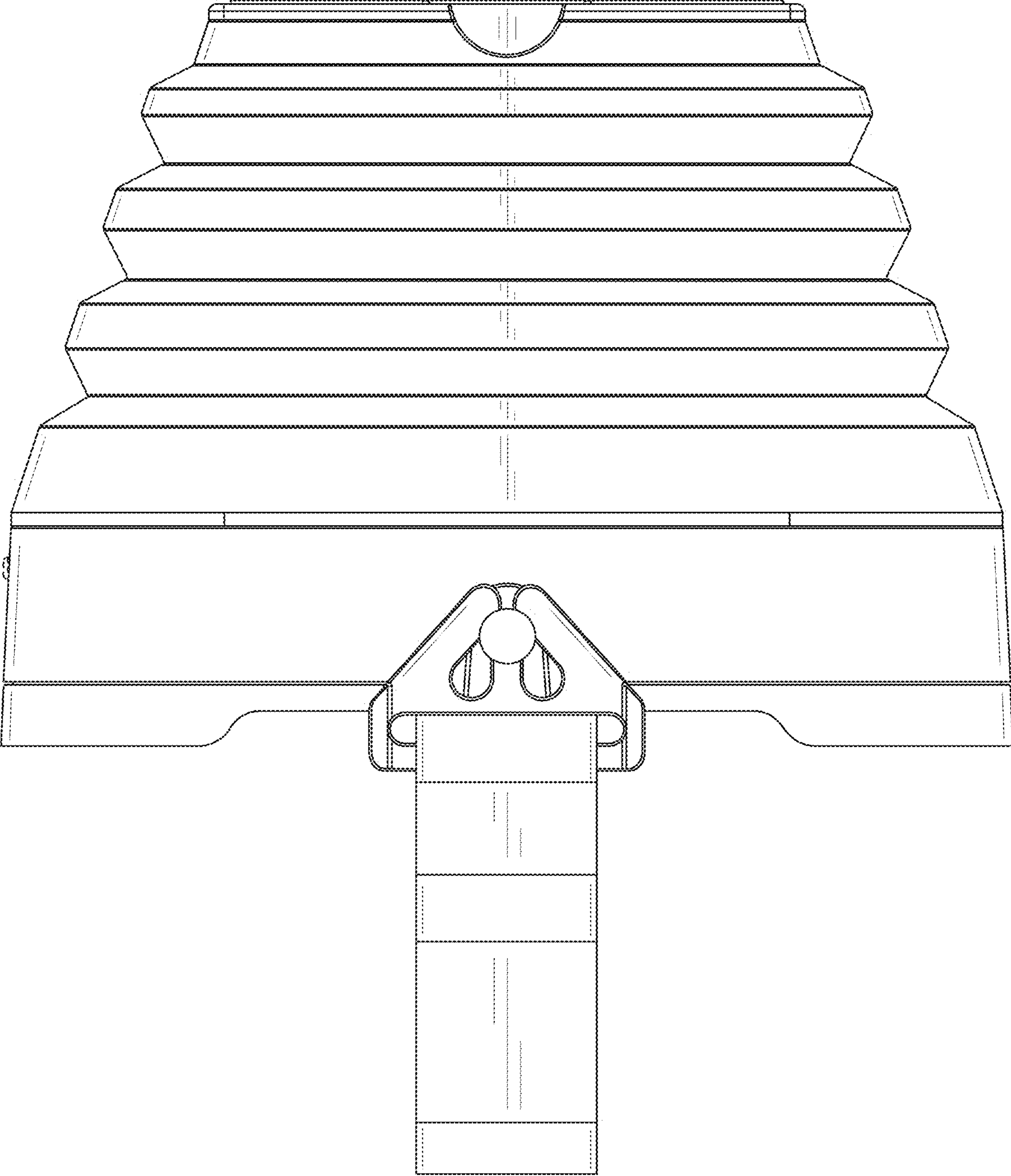


FIG. 4

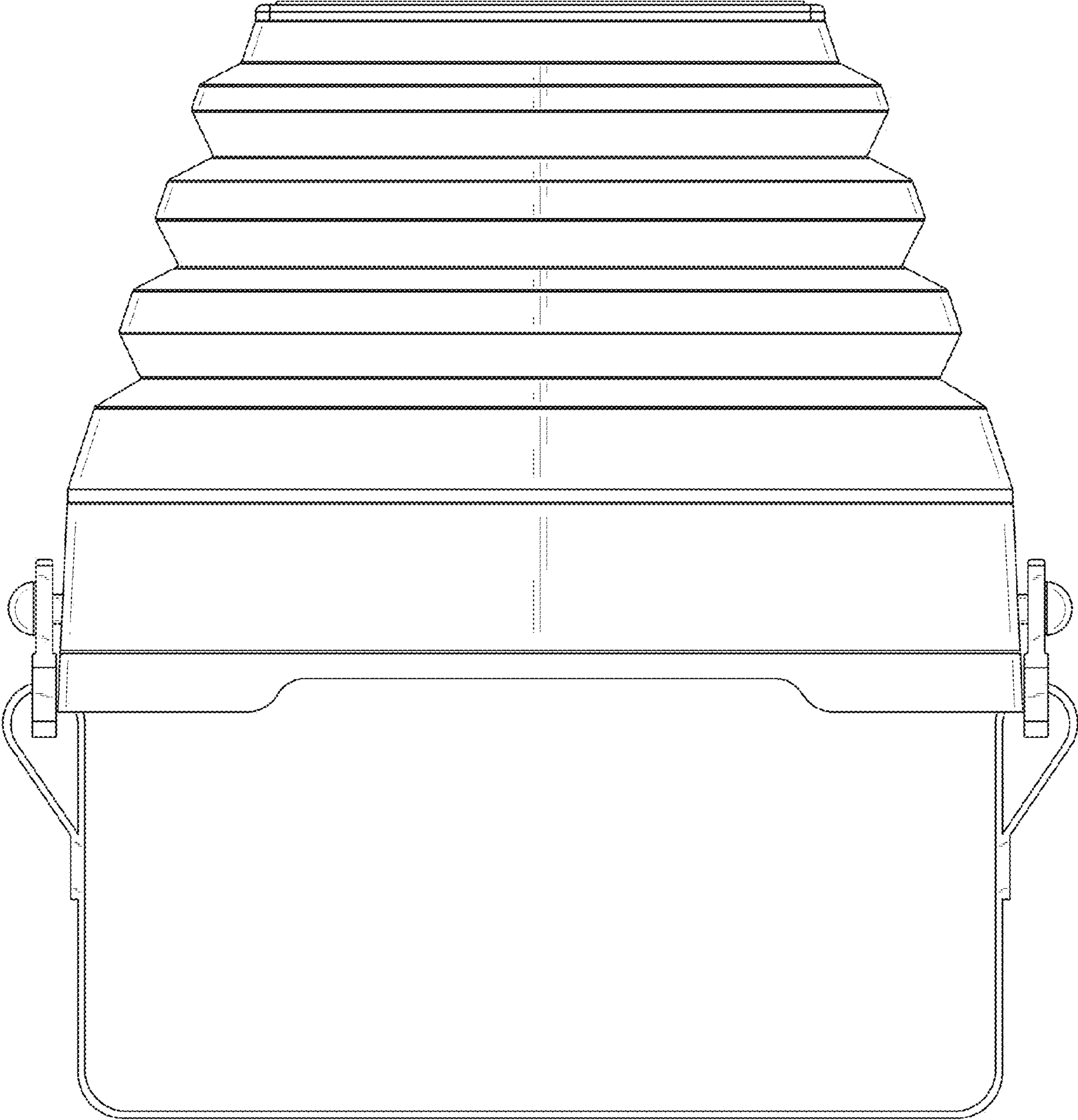


FIG. 5

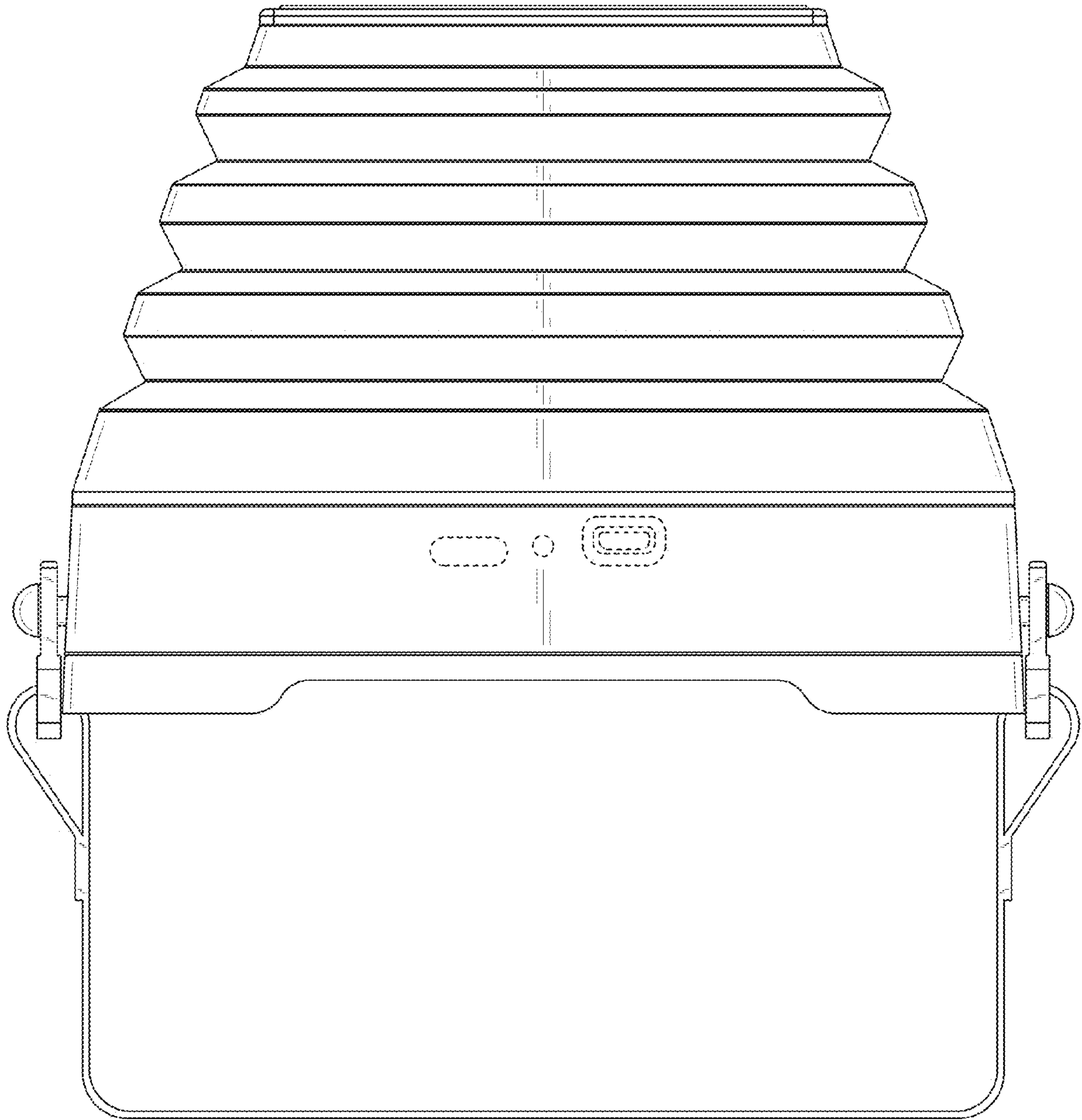


FIG. 6

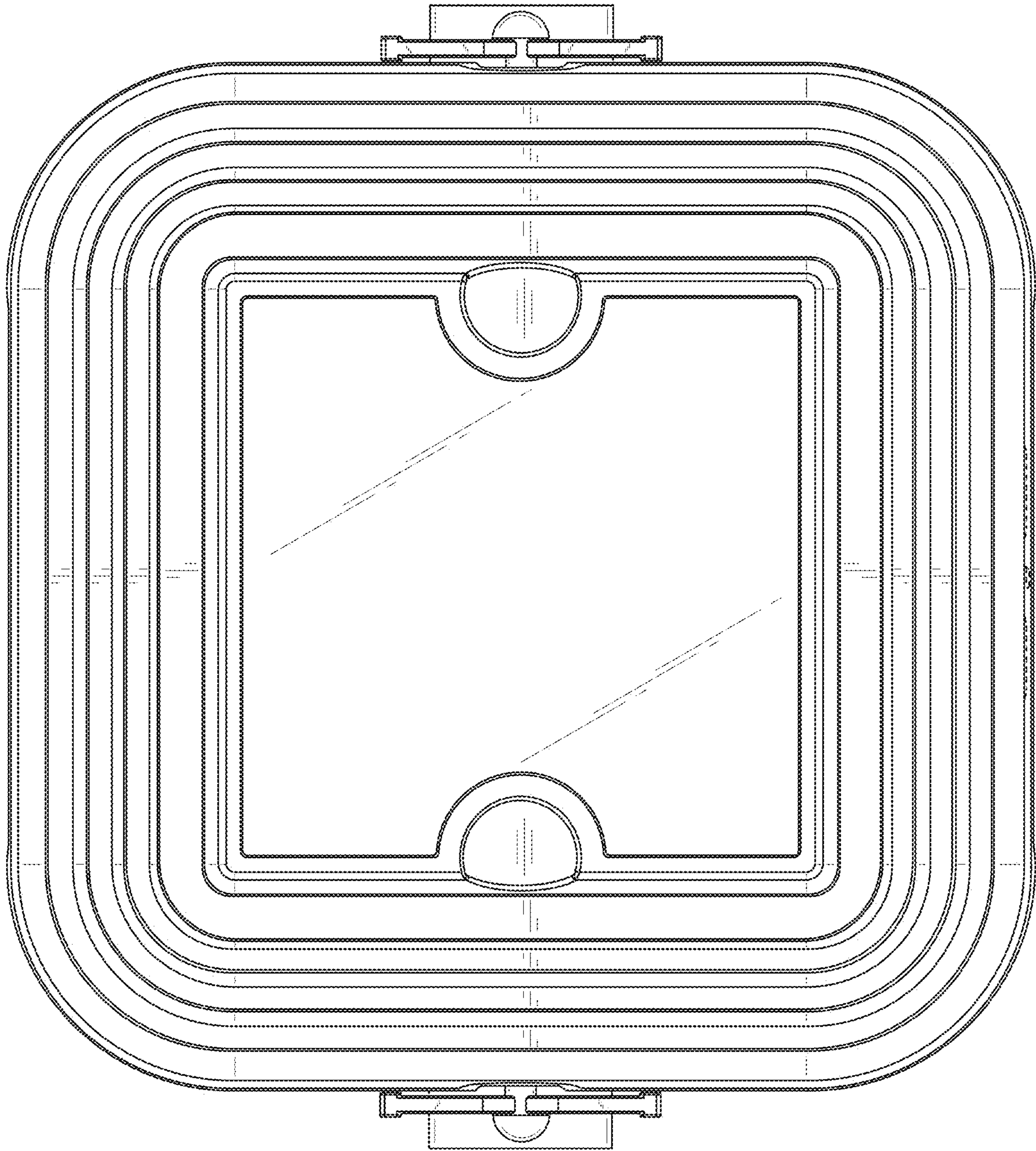


FIG. 7

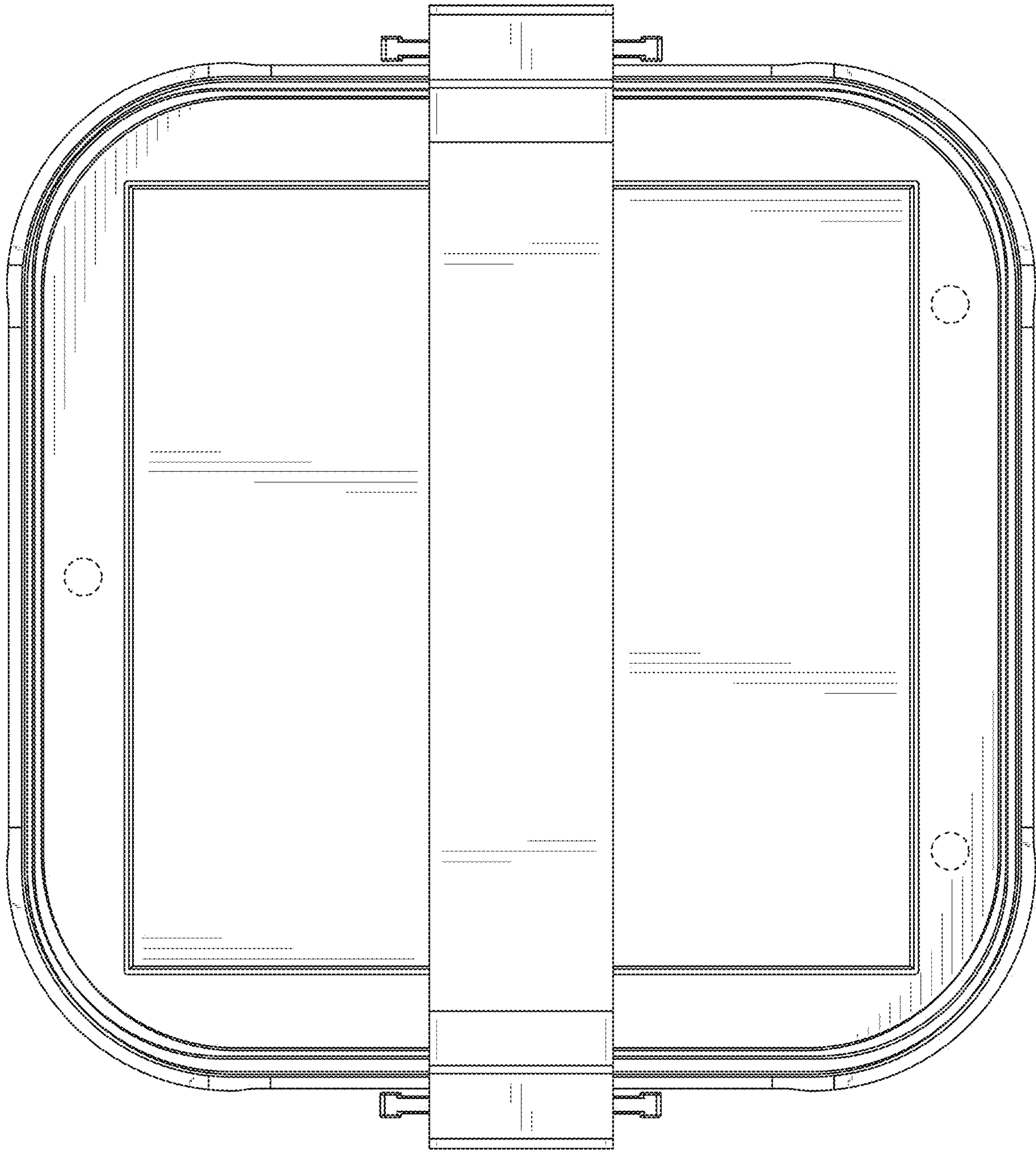


FIG. 8