



US00D881430S

(12) **United States Design Patent**  
**Mao**

(10) **Patent No.:** **US D881,430 S**

(45) **Date of Patent:** **\*\* Apr. 14, 2020**

(54) **HANDHELD INSPECTION LIGHT**

(71) Applicant: **Ningbo Sunree Outdoor Products Co., Ltd.**, Zhejiang (CN)

(72) Inventor: **Huanjun Mao**, Zhejiang (CN)

(\*\*) Term: **15 Years**

(21) Appl. No.: **29/667,393**

(22) Filed: **Oct. 22, 2018**

(51) **LOC (12) Cl.** ..... **26-02**

(52) **U.S. Cl.**  
USPC ..... **D26/37**

(58) **Field of Classification Search**  
USPC ..... D26/1, 24, 25, 43, 60, 110, 113, 28, 37,  
D26/61, 85, 102, 138-140, 39,  
362/249.14, 311.02, 311.13  
CPC ..... F21S 4/00; F21S 4/10; F21S 4/15; F21S  
4/26; F21S 2/00; F21V 11/02; F21V  
11/06; F21V 17/10; F21V 17/16; F21V  
23/00; F21V 23/04; F21V 33/00; F21W  
2121/00; F21W 2121/04; F21Y 2115/10;  
F21L 4/00; F21L 4/02; F21L 4/04; F21L  
4/08

See application file for complete search history.

(56) **References Cited**

**U.S. PATENT DOCUMENTS**

D597,690 S \* 8/2009 Yamamoto ..... D26/37  
D713,077 S \* 9/2014 Hao ..... D26/37

D749,254 S \* 2/2016 Robinson ..... D26/37  
D760,928 S \* 7/2016 Bao ..... D26/24  
D816,876 S \* 5/2018 Bao ..... D26/37  
D858,838 S \* 9/2019 Vasquez ..... D26/60

\* cited by examiner

*Primary Examiner* — Abraham Bahta

(74) *Attorney, Agent, or Firm* — Prakash Nama; Global IP Services, PLLC

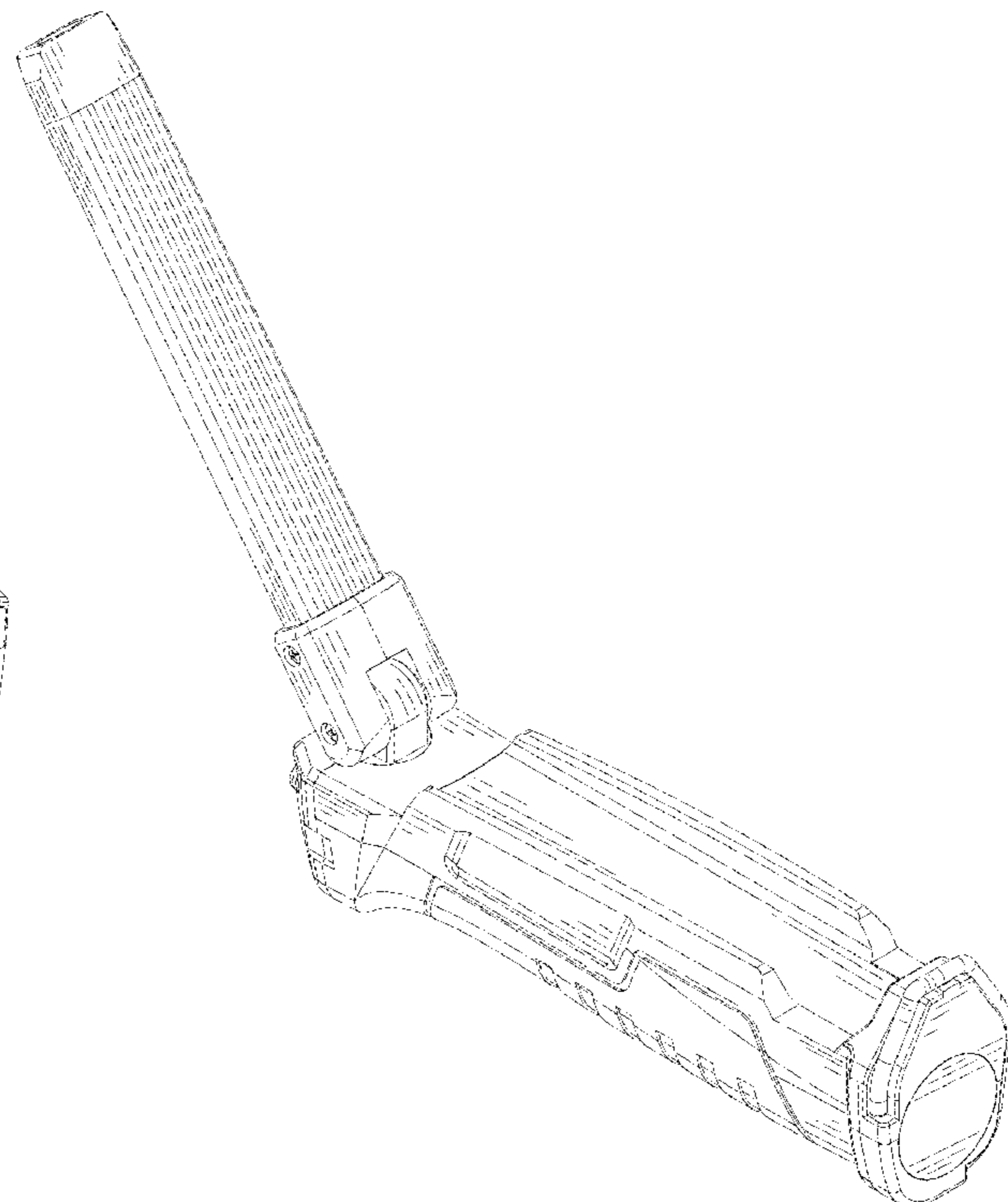
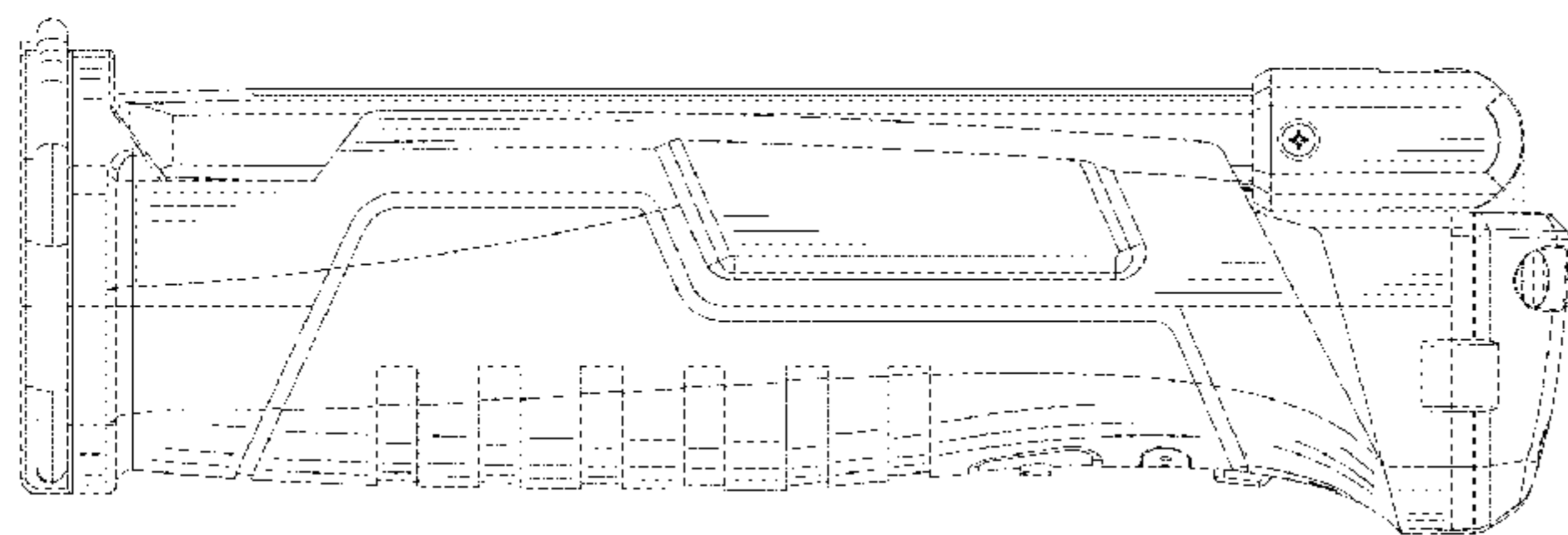
(57) **CLAIM**

The ornamental design for a handheld inspection light, as shown and described.

**DESCRIPTION**

FIG. 1 is a front elevational view of a handheld inspection light showing my new design;  
FIG. 2 is a bottom plan view thereof;  
FIG. 3 is a rear elevational view thereof;  
FIG. 4 is a top plan view thereof;  
FIG. 5 is a right side view thereof;  
FIG. 6 is a left side view thereof;  
FIG. 7 is a perspective view, wherein the handheld inspection light is in a folded position; and,  
FIG. 8 is another perspective view wherein the handheld inspection light is in a partially unfolded position.

**1 Claim, 4 Drawing Sheets**



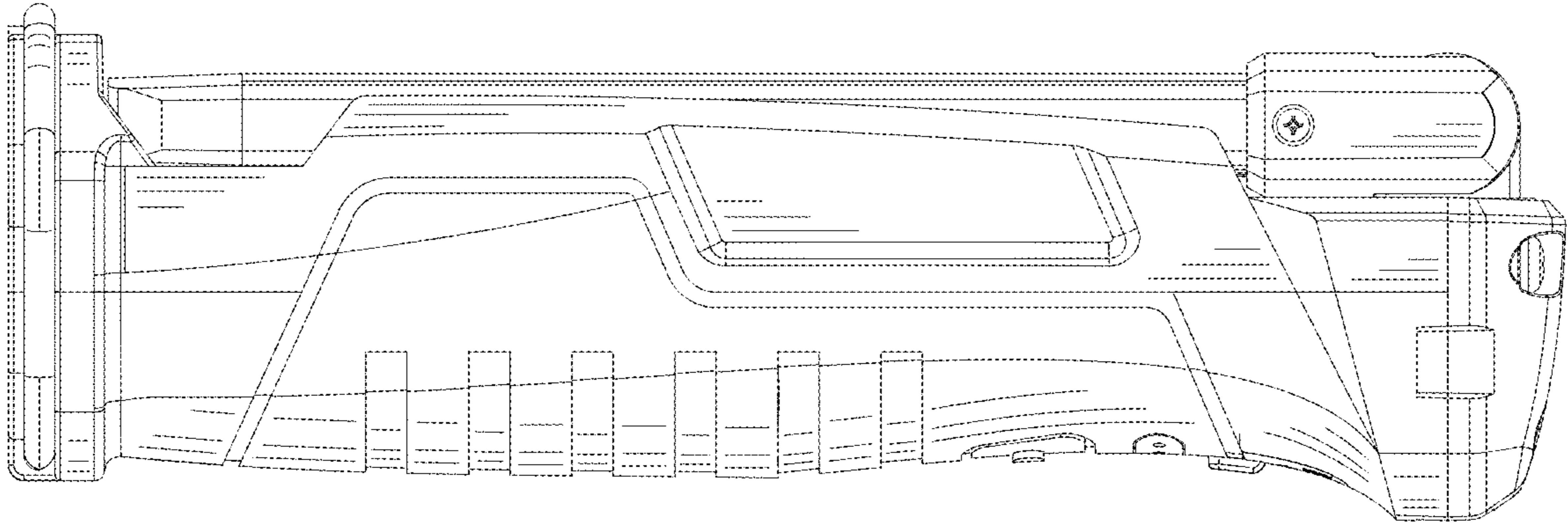


Fig. 1

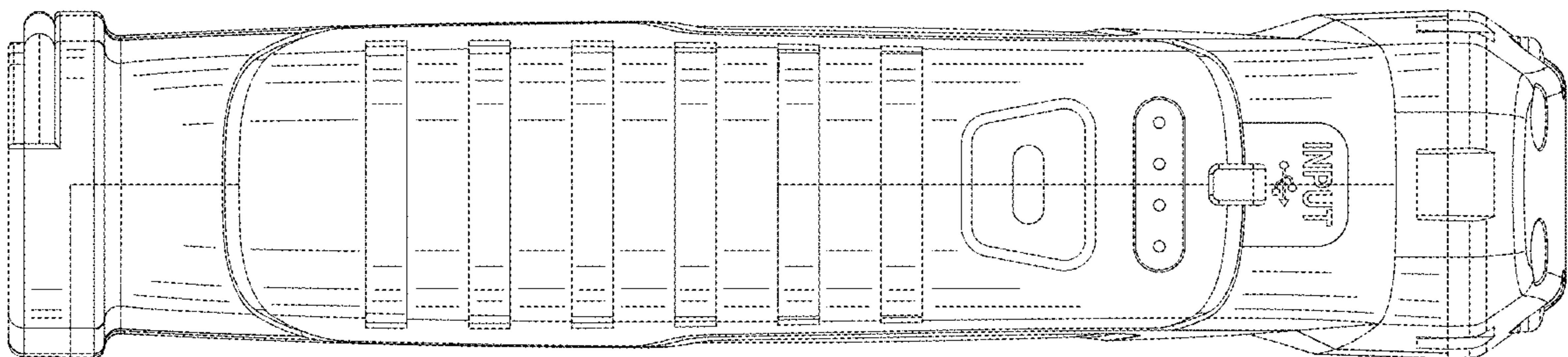


Fig. 2

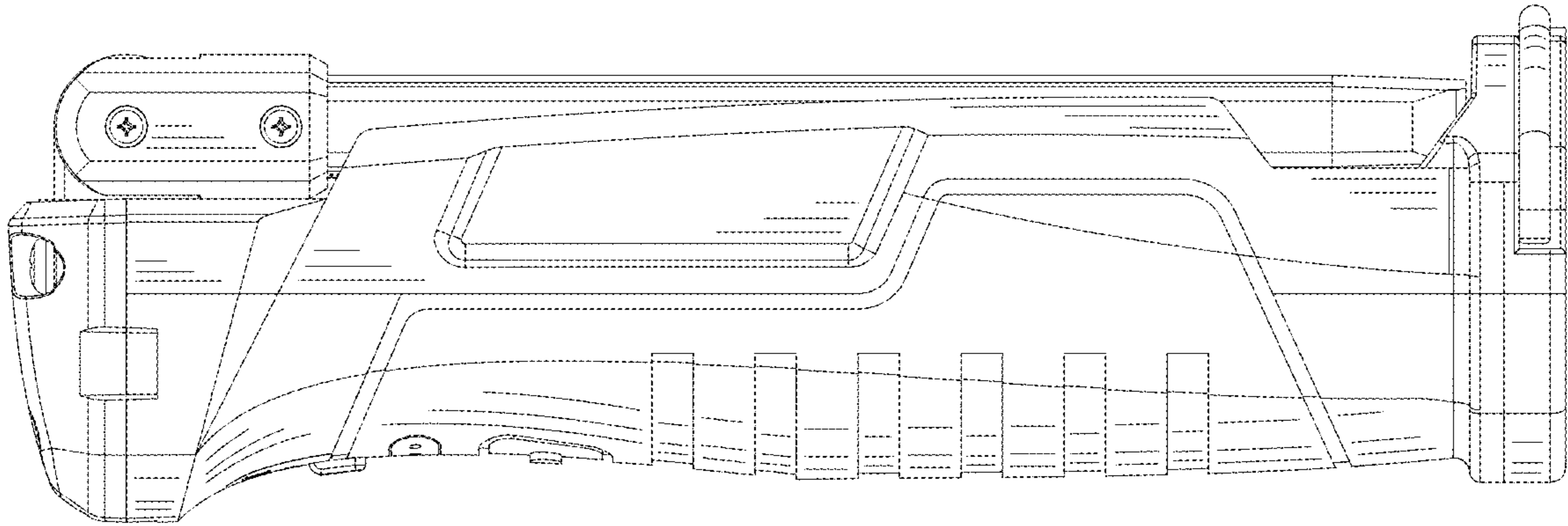


Fig. 3

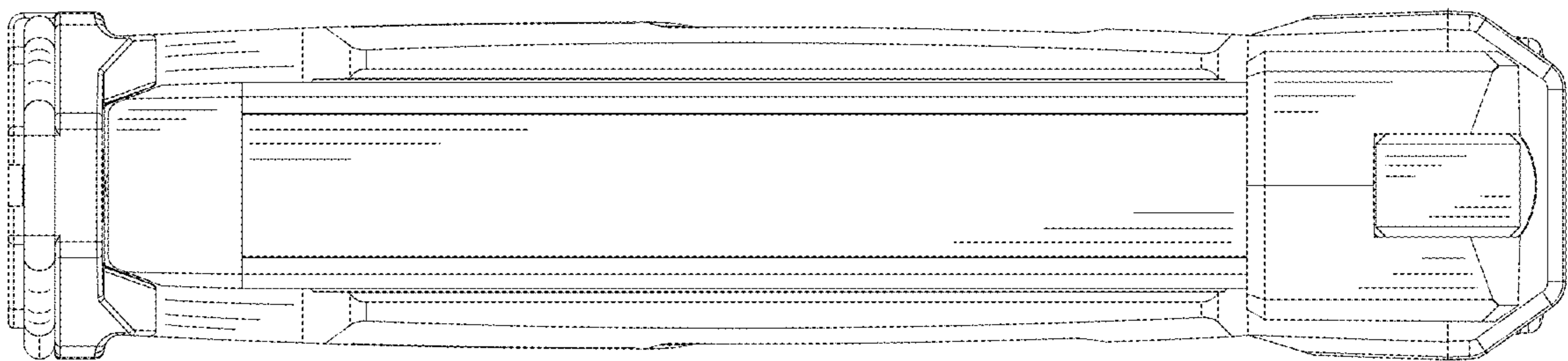


Fig. 4



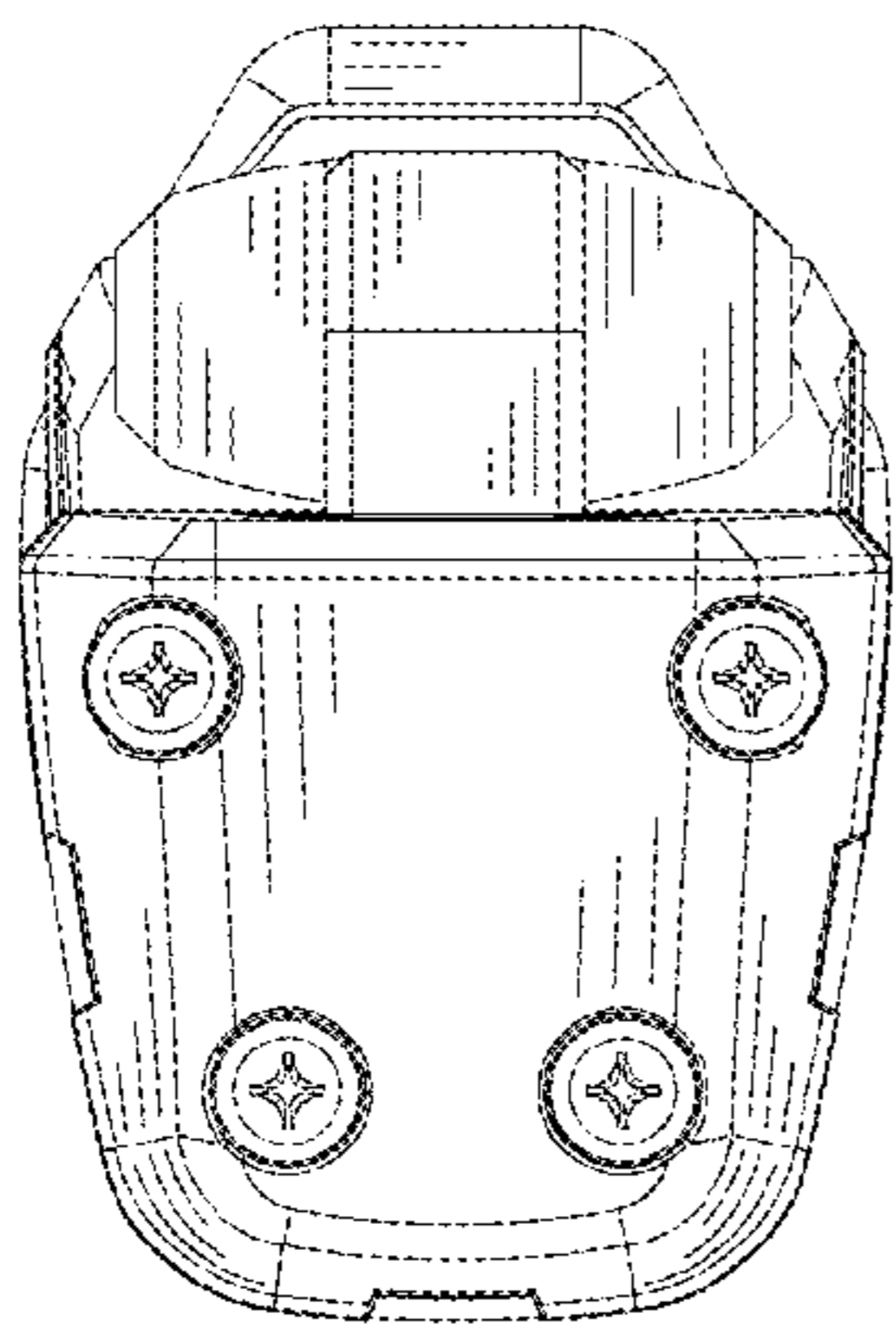


Fig. 5

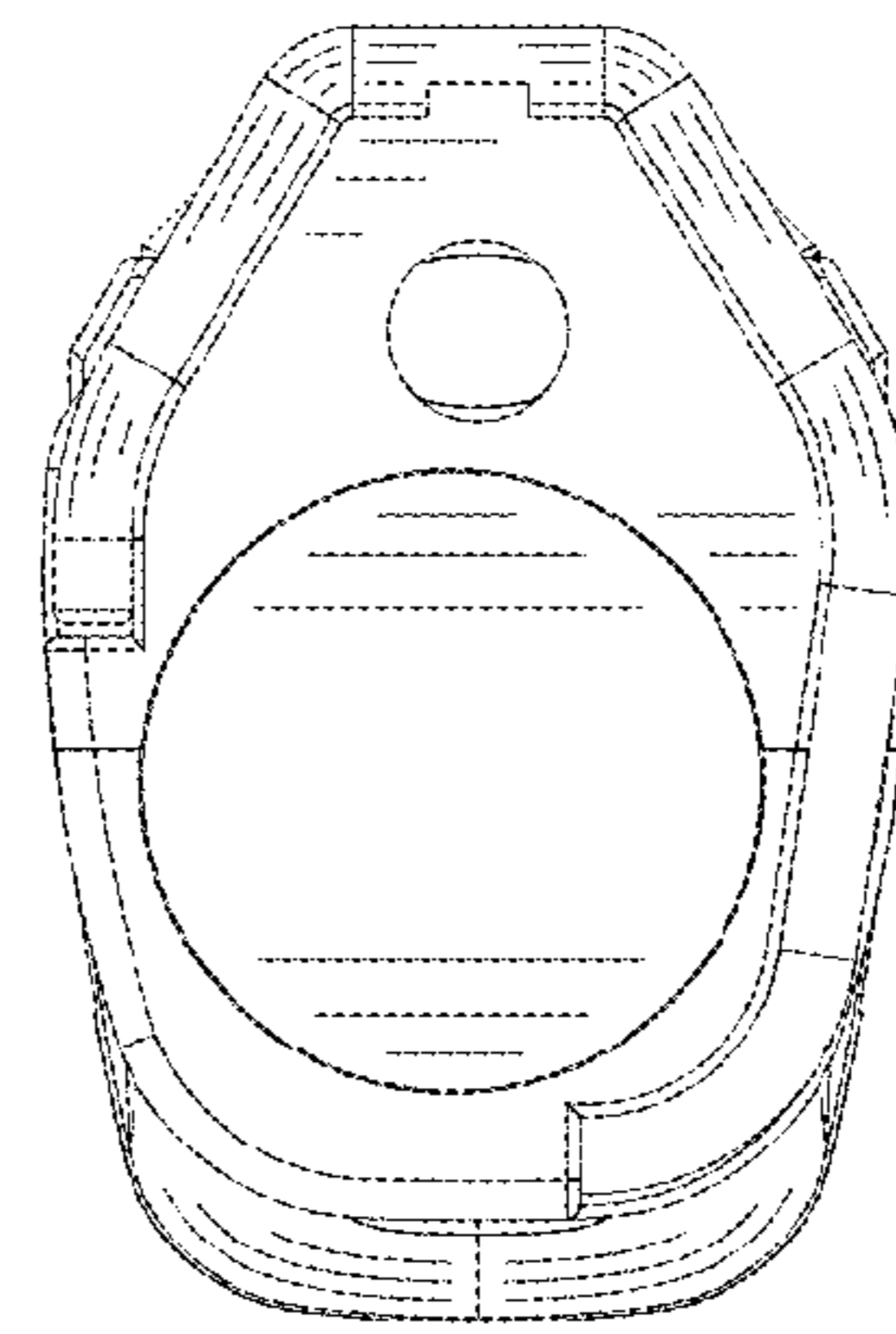


Fig. 6

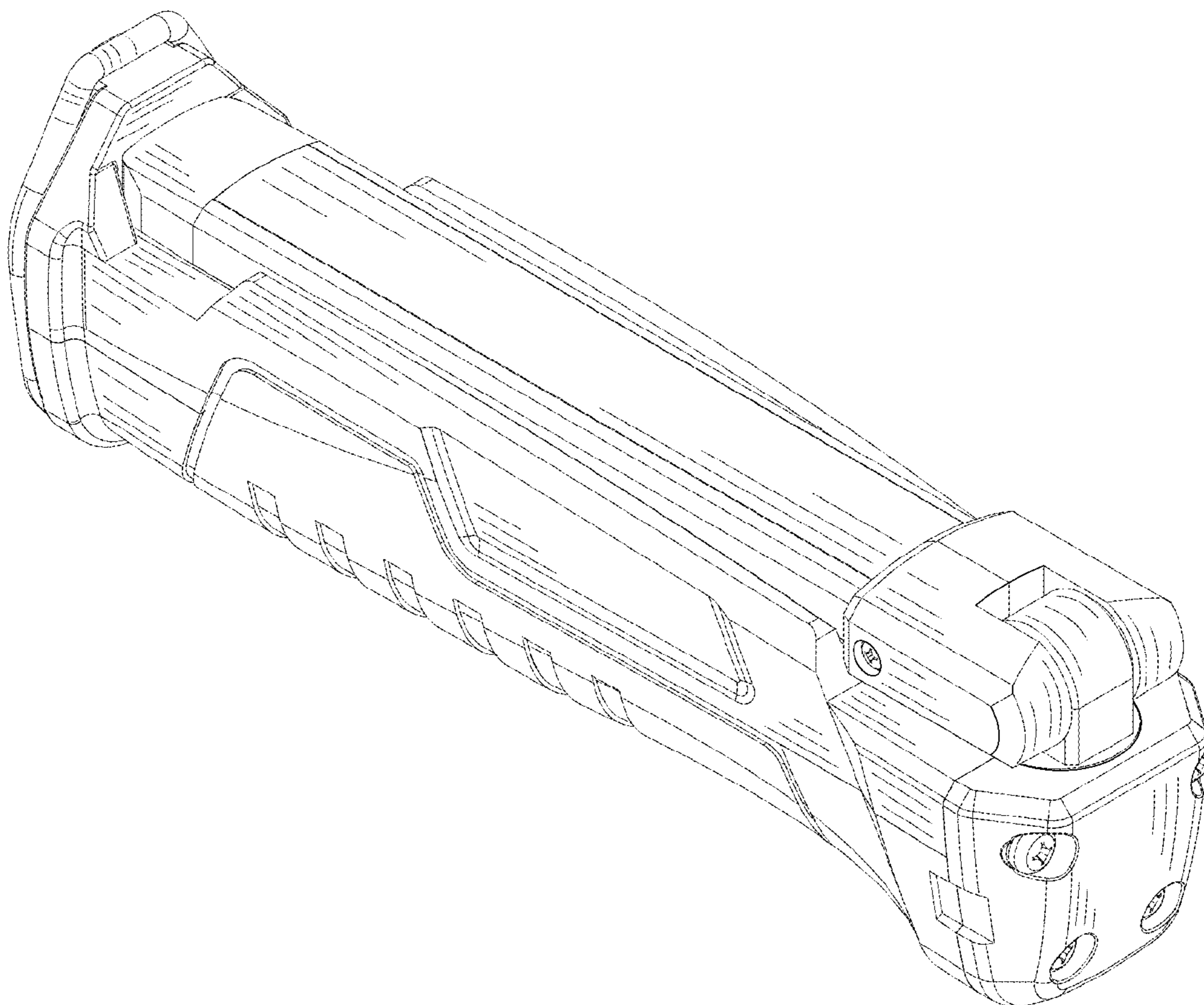


Fig. 7

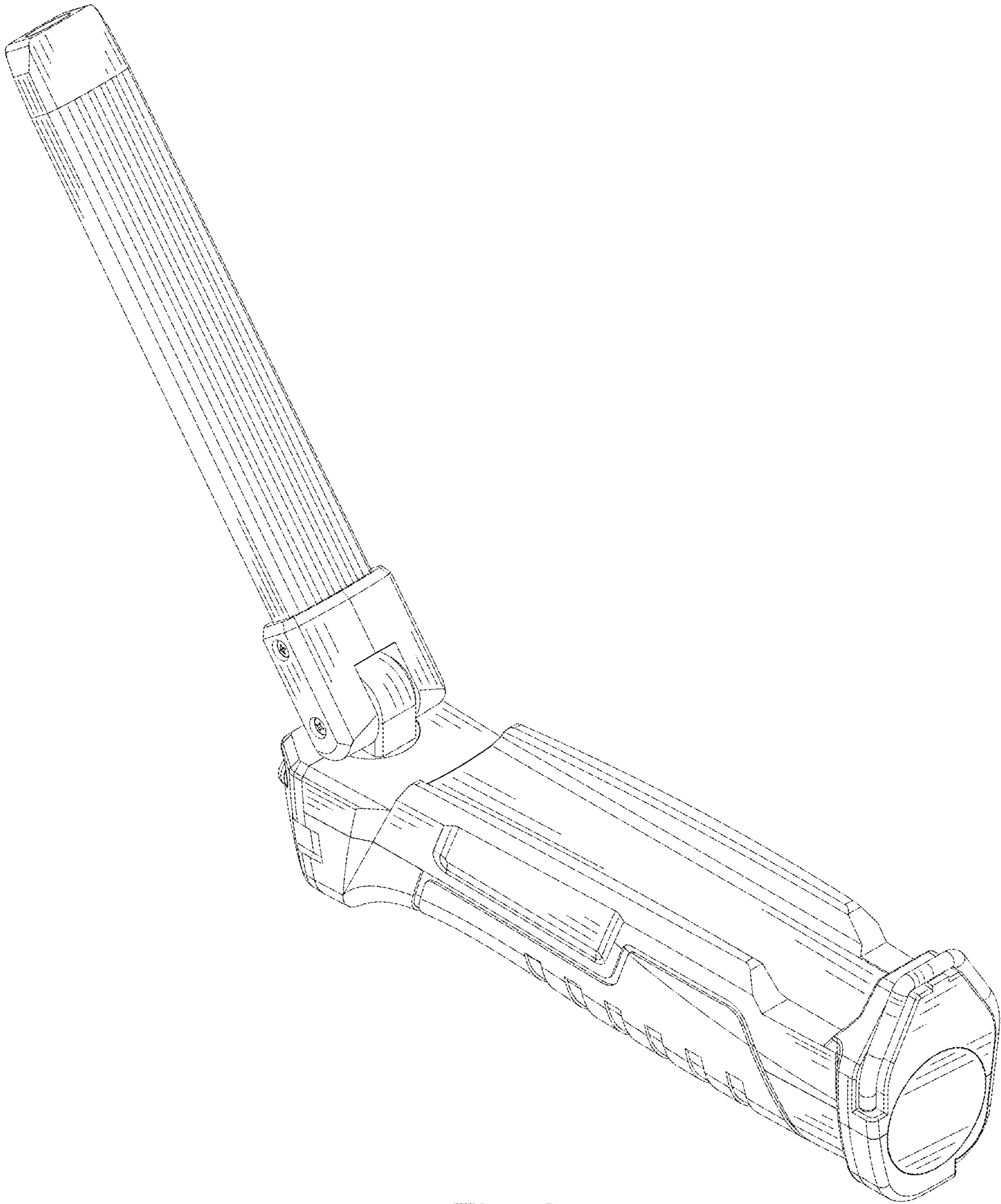


Fig. 8