



US00D881426S

(12) **United States Design Patent** (10) **Patent No.:** **US D881,426 S**
Scott et al. (45) **Date of Patent:** **** Apr. 14, 2020**

(54) **HEAD LAMP**

(71) Applicants: **Everard J Scott**, Sterling Heights, MI (US); **Michael Gillam**, Oxford, MI (US); **Gregory A Howell**, Farmington, MI (US)

(72) Inventors: **Everard J Scott**, Sterling Heights, MI (US); **Michael Gillam**, Oxford, MI (US); **Gregory A Howell**, Farmington, MI (US)

(73) Assignee: **FCA US LLC**, Auburn Hills, MI (US)

(**) Term: **15 Years**

(21) Appl. No.: **29/673,409**

(22) Filed: **Dec. 14, 2018**

Related U.S. Application Data

(63) Continuation-in-part of application No. 29/626,563, filed on Nov. 17, 2017, now Pat. No. Des. 836,035, and a continuation-in-part of application No. 29/626,557, filed on Nov. 17, 2017, now Pat. No. Des. 836,034.

(51) **LOC (12) Cl.** **26-06**

(52) **U.S. Cl.**
USPC **D26/28**

(58) **Field of Classification Search**
USPC D26/28-36, 139
CPC F21S 48/00; F21S 48/10; F21S 48/115; F21S 48/1233; F21S 48/1266; F21S 48/1388; F21S 48/2268; F21V 21/04; F21V 29/004; B60Q 9/13; B60Q 9/135; B60Q 9/1375

See application file for complete search history.

(56) **References Cited**

U.S. PATENT DOCUMENTS

D593,233 S *	5/2009	Bai	D26/28
D674,938 S *	1/2013	Lai	D26/28
D740,978 S *	10/2015	Lee	D26/28
D743,065 S *	11/2015	Weil	D26/28
D787,721 S *	5/2017	Lai	D26/28
D822,242 S *	7/2018	Lee	D26/28
D824,058 S *	7/2018	Hong	D26/28

* cited by examiner

Primary Examiner — Marcus A Jackson

(74) *Attorney, Agent, or Firm* — Ralph E. Smith

(57) **CLAIM**

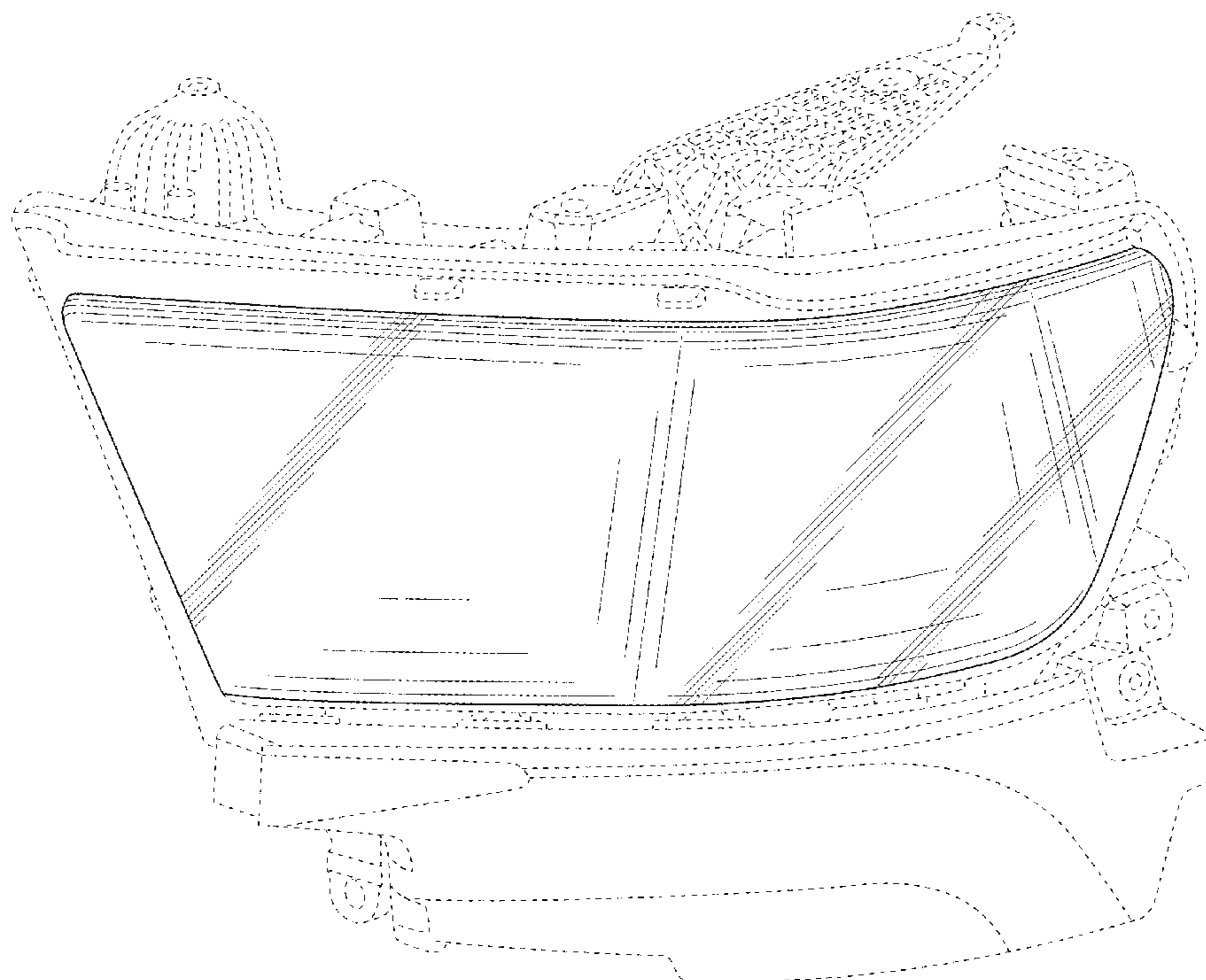
The ornamental design for an head lamp, as shown and described.

DESCRIPTION

FIG. 1 is a front perspective view of a head lamp showing our new design;
FIG. 2 is a front view thereof;
FIG. 3 is a rear view thereof;
FIG. 4 is a side view thereof;
FIG. 5 is a top view thereof; and,
FIG. 6 is a bottom view thereof.

It will be understood that the broken lines shown in the drawings illustrate portions of the head lamp that form no part of the claimed design.

1 Claim, 6 Drawing Sheets



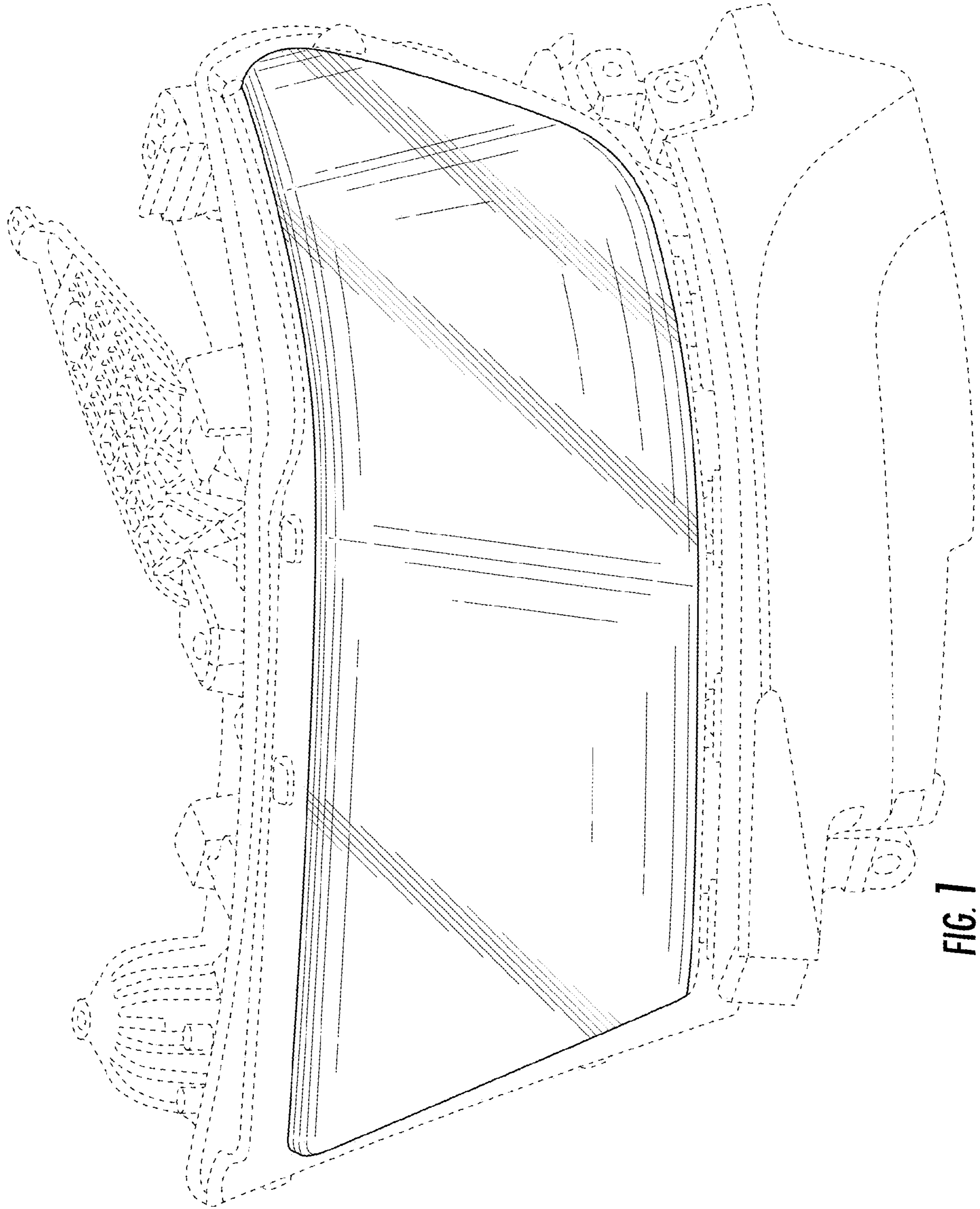


FIG. 1

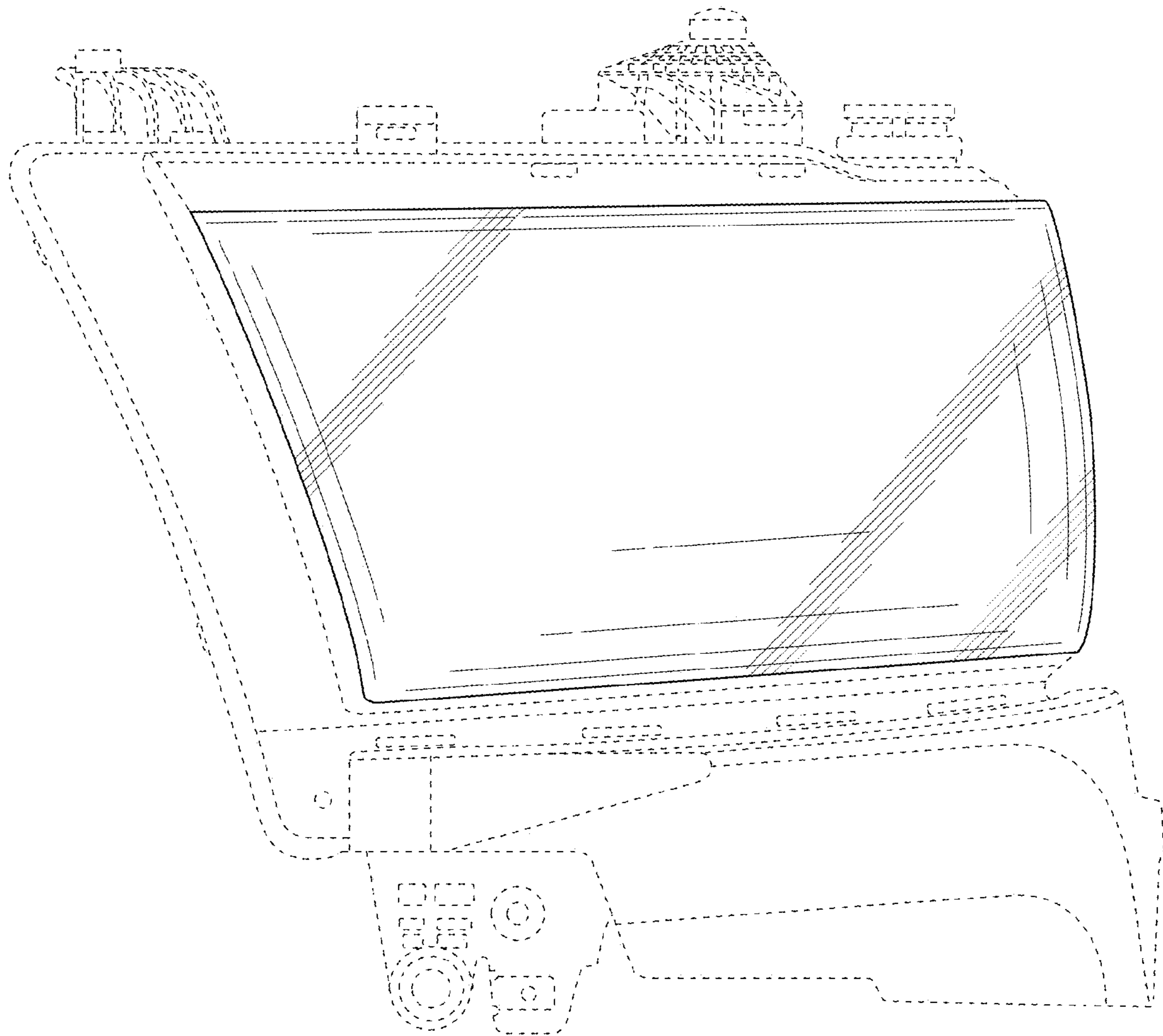


FIG. 2

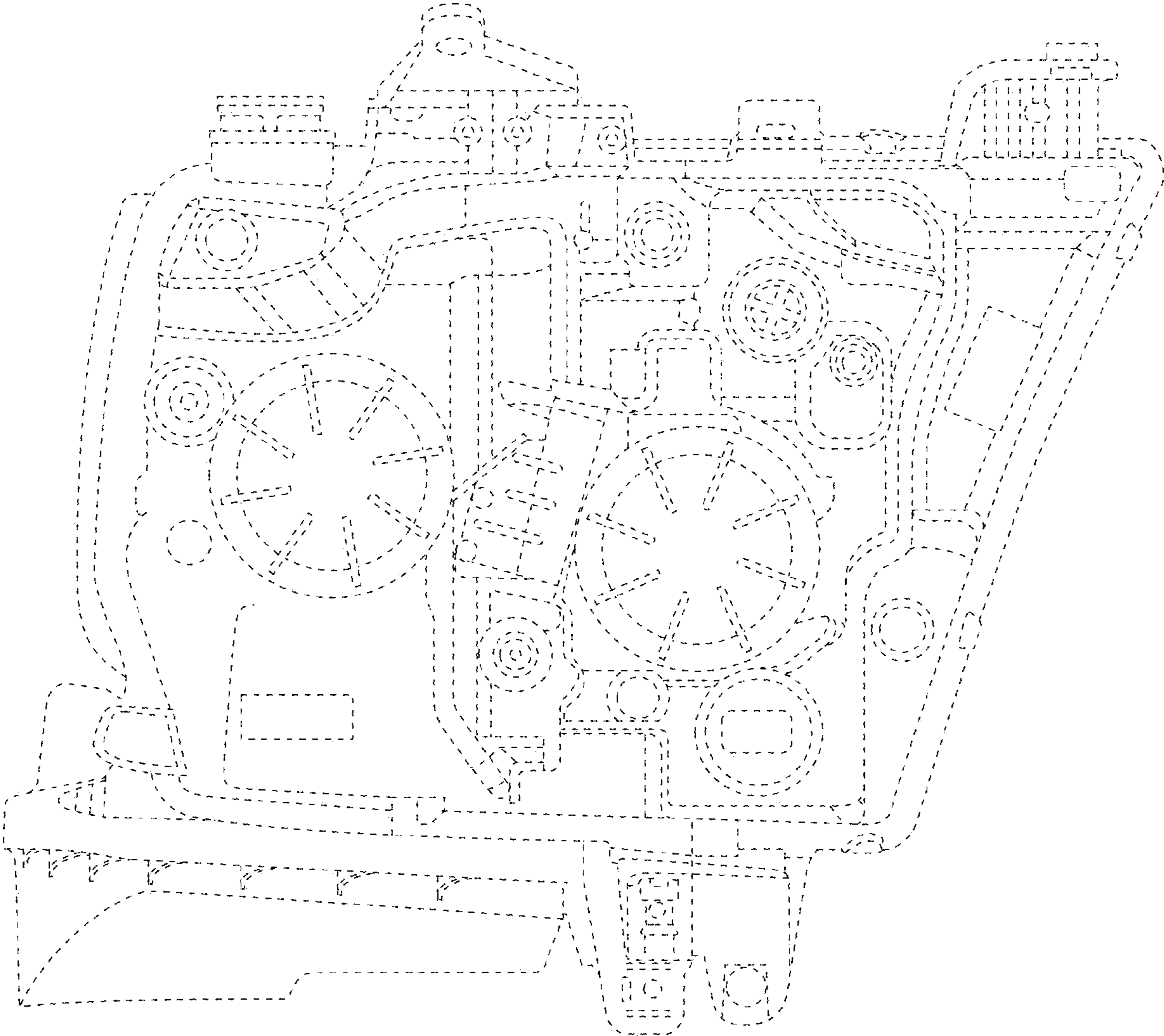


FIG. 3

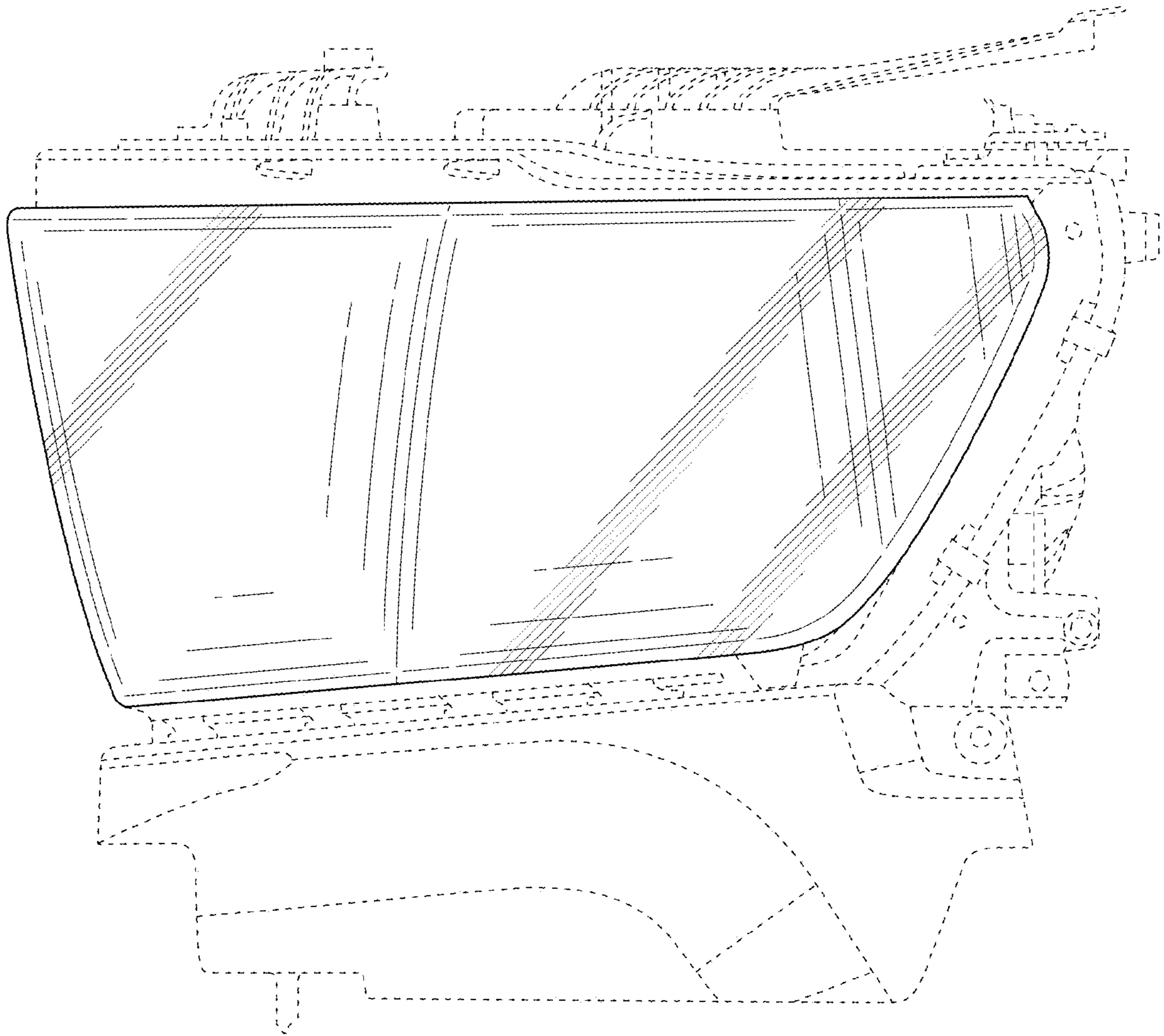


FIG. 4

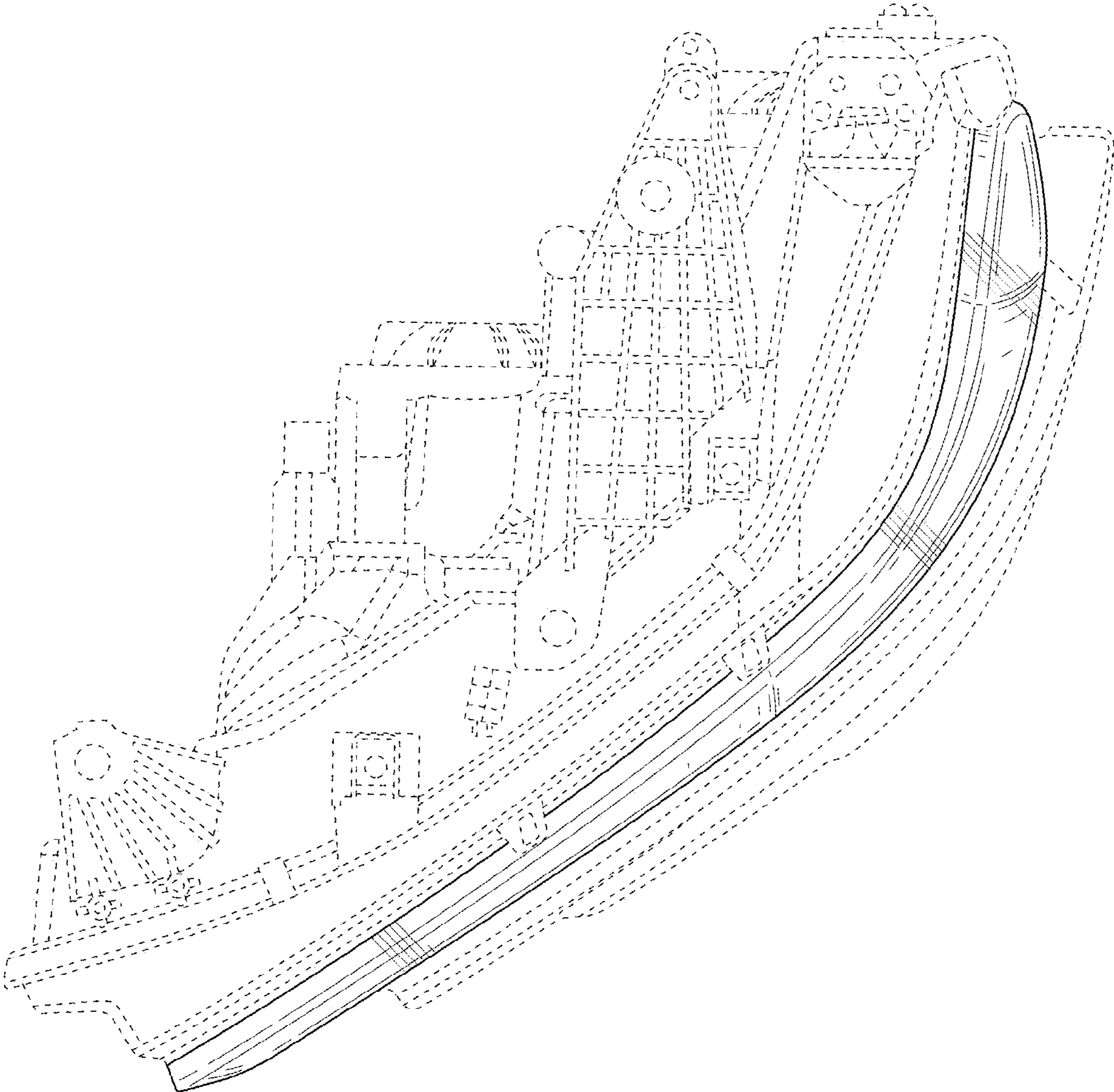


FIG. 5

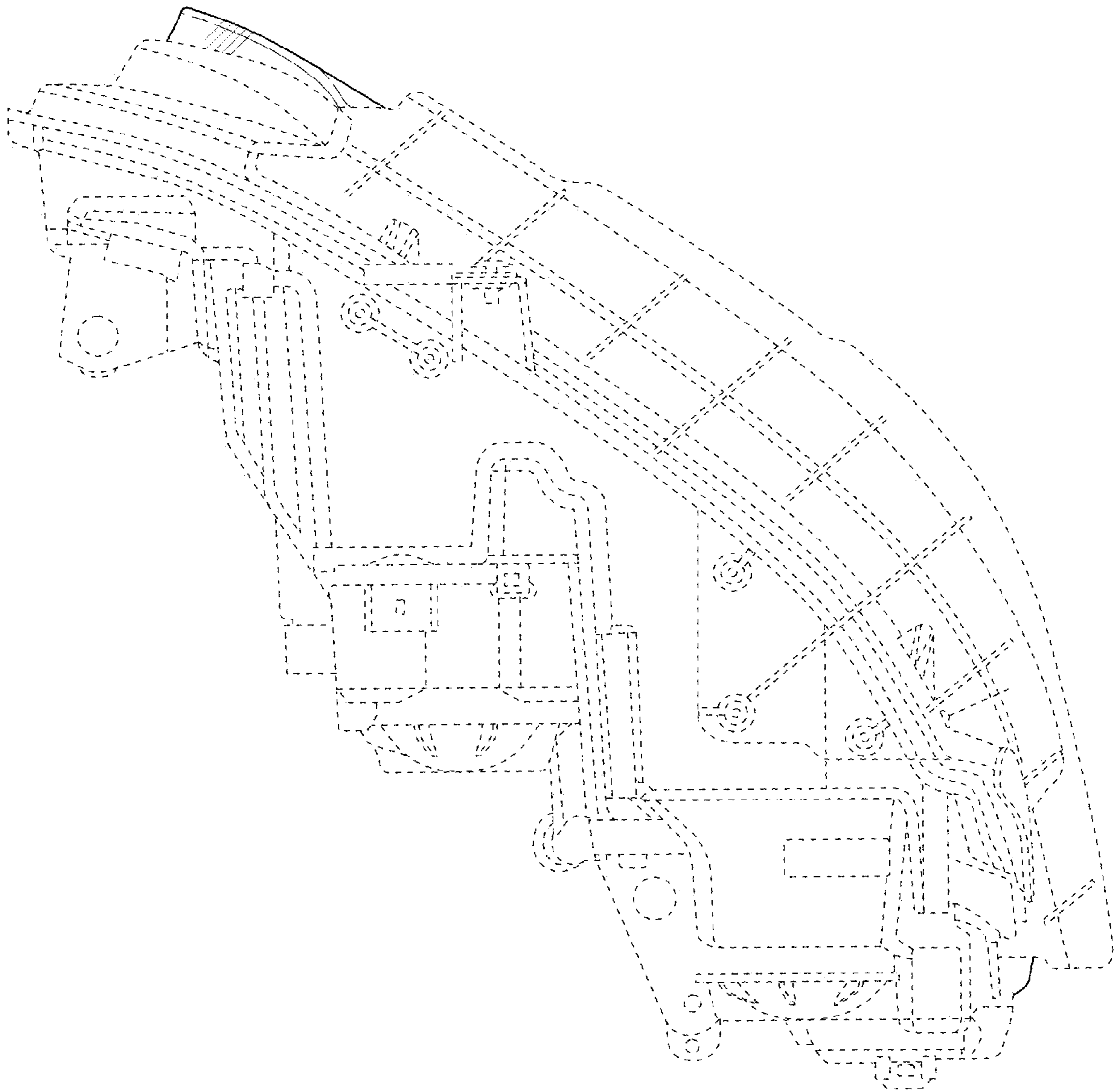


FIG. 6