



US00D881424S

(12) **United States Design Patent**  
**Gu**

(10) **Patent No.:** **US D881,424 S**

(45) **Date of Patent:** **\*\* Apr. 14, 2020**

(54) **HEADLIGHT FOR BICYCLES**

(71) Applicant: **Shaofeng Wang**, Foshan (CN)

(72) Inventor: **Xin Gu**, Foshan (CN)

(73) Assignee: **Shaofeng Wang**, Foshan (CN)

(\*\*) Term: **15 Years**

(21) Appl. No.: **29/670,787**

(22) Filed: **Nov. 20, 2018**

(51) **LOC (12) Cl.** ..... **26-06**

(52) **U.S. Cl.**  
USPC ..... **D26/28**

(58) **Field of Classification Search**

USPC ..... D26/28-36, 139  
CPC ..... F21S 48/00; F21S 48/10; F21S 48/115;  
F21S 48/225; F21S 48/1233; F21S  
48/1266; F21S 48/1388; F21S 48/2268;  
F21V 21/04; B60Q 9/13; B60Q 9/135;  
B60Q 9/1375

See application file for complete search history.

(56) **References Cited**

U.S. PATENT DOCUMENTS

D463,052 S \* 9/2002 Shiu ..... D26/38  
D535,411 S \* 1/2007 Lee ..... D26/28

D535,766 S \* 1/2007 Lee ..... D26/28  
D608,485 S \* 1/2010 Liao ..... D26/60  
D611,173 S \* 3/2010 McKechnie ..... D26/28  
D667,581 S \* 9/2012 Lee ..... D26/28  
D690,854 S \* 10/2013 Janssen ..... D26/29  
D800,361 S \* 10/2017 Robertson ..... D26/28

\* cited by examiner

*Primary Examiner* — Marcus A Jackson

(74) *Attorney, Agent, or Firm* — JMB Davis-Ben David

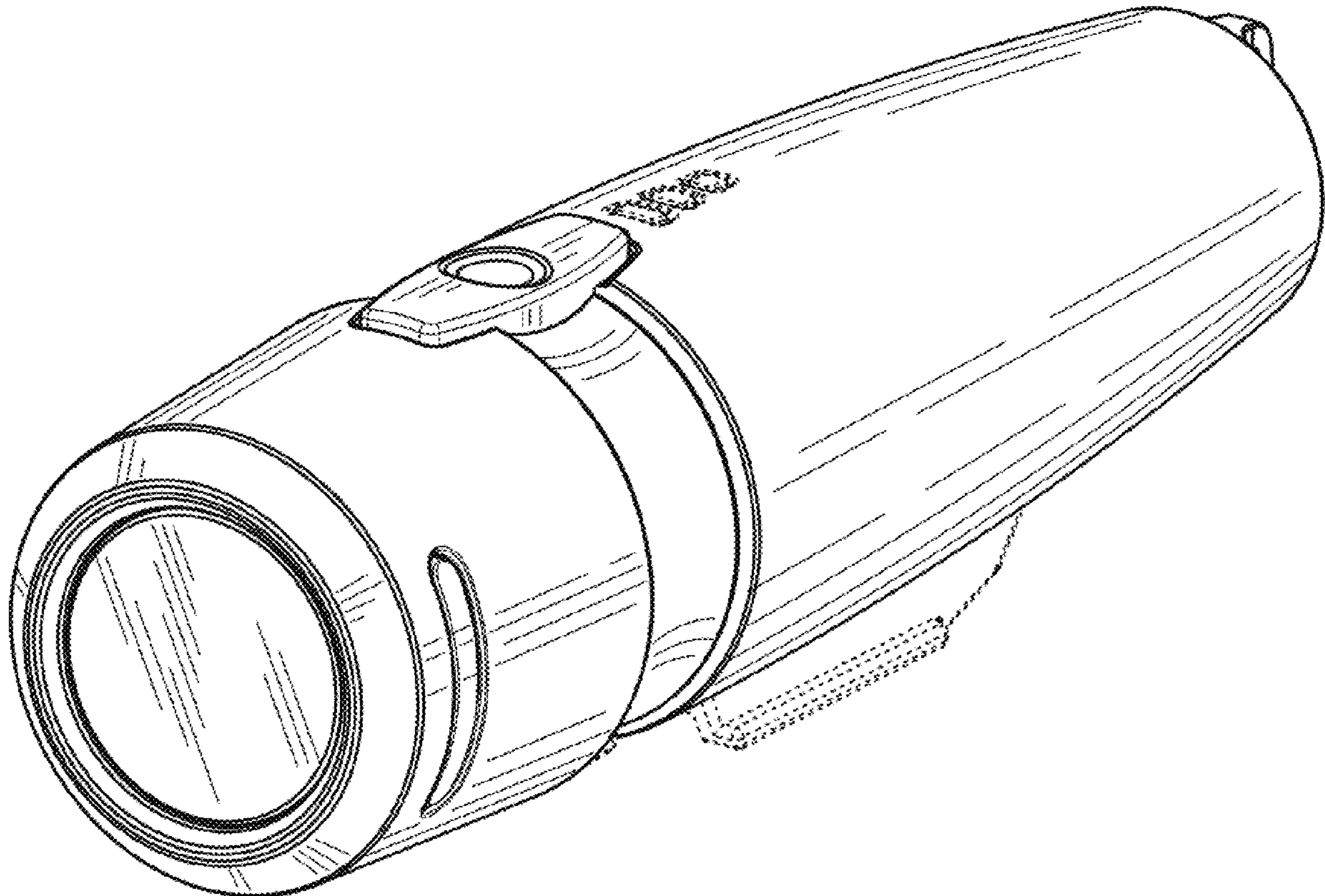
(57) **CLAIM**

The ornamental design for a headlight for bicycles, as shown and described.

**DESCRIPTION**

FIG. 1 shows a front view of a headlight for bicycles;  
FIG. 2 is a rear view thereof;  
FIG. 3 is a left-side view thereof;  
FIG. 4 is a right-side view thereof;  
FIG. 5 is a top view thereof;  
FIG. 6 is a bottom view thereof; and,  
FIG. 7 is a perspective view thereof.  
Certain figures include broken lines that display environmental structure which forms no part of the claimed design.

**1 Claim, 7 Drawing Sheets**



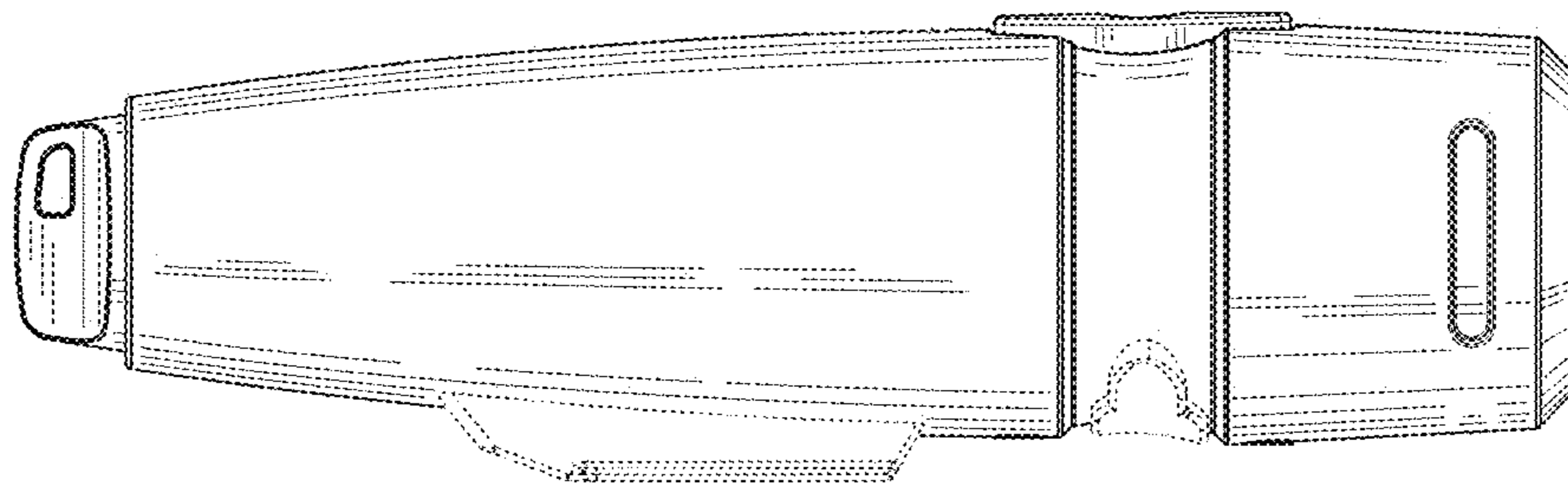


Figure 1

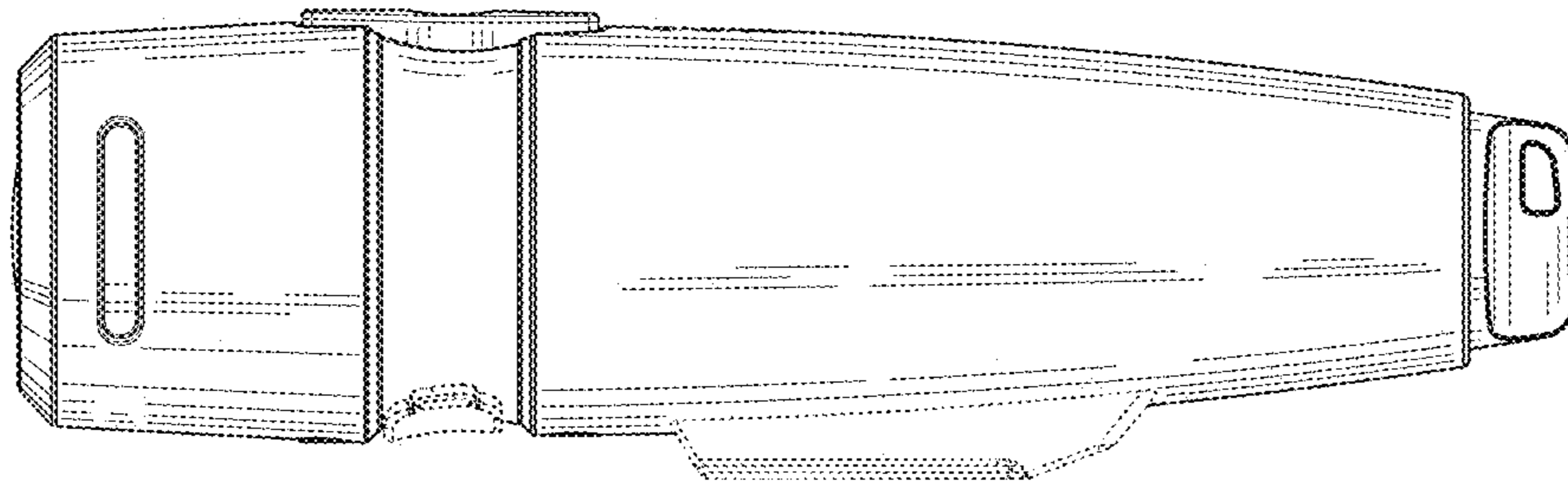


Figure 2

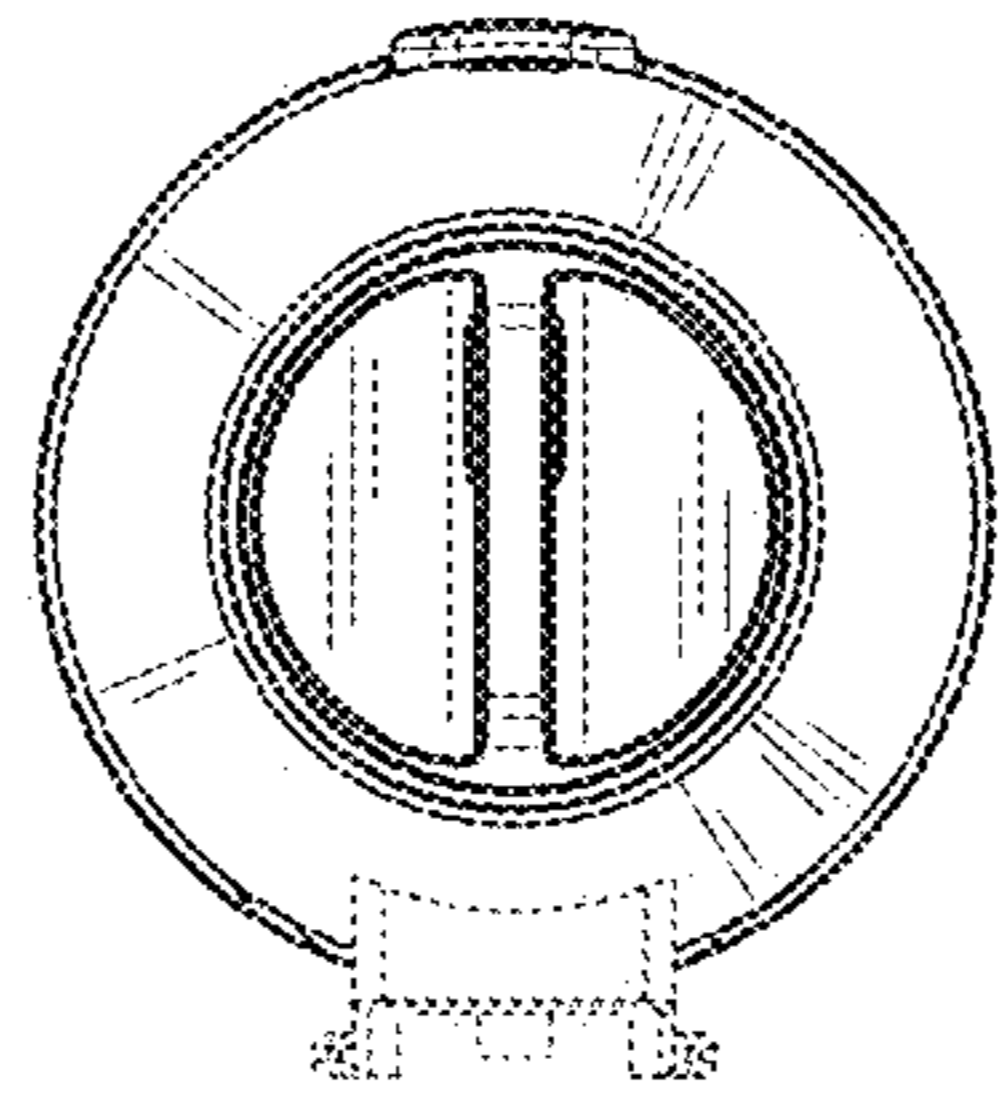


Figure 3

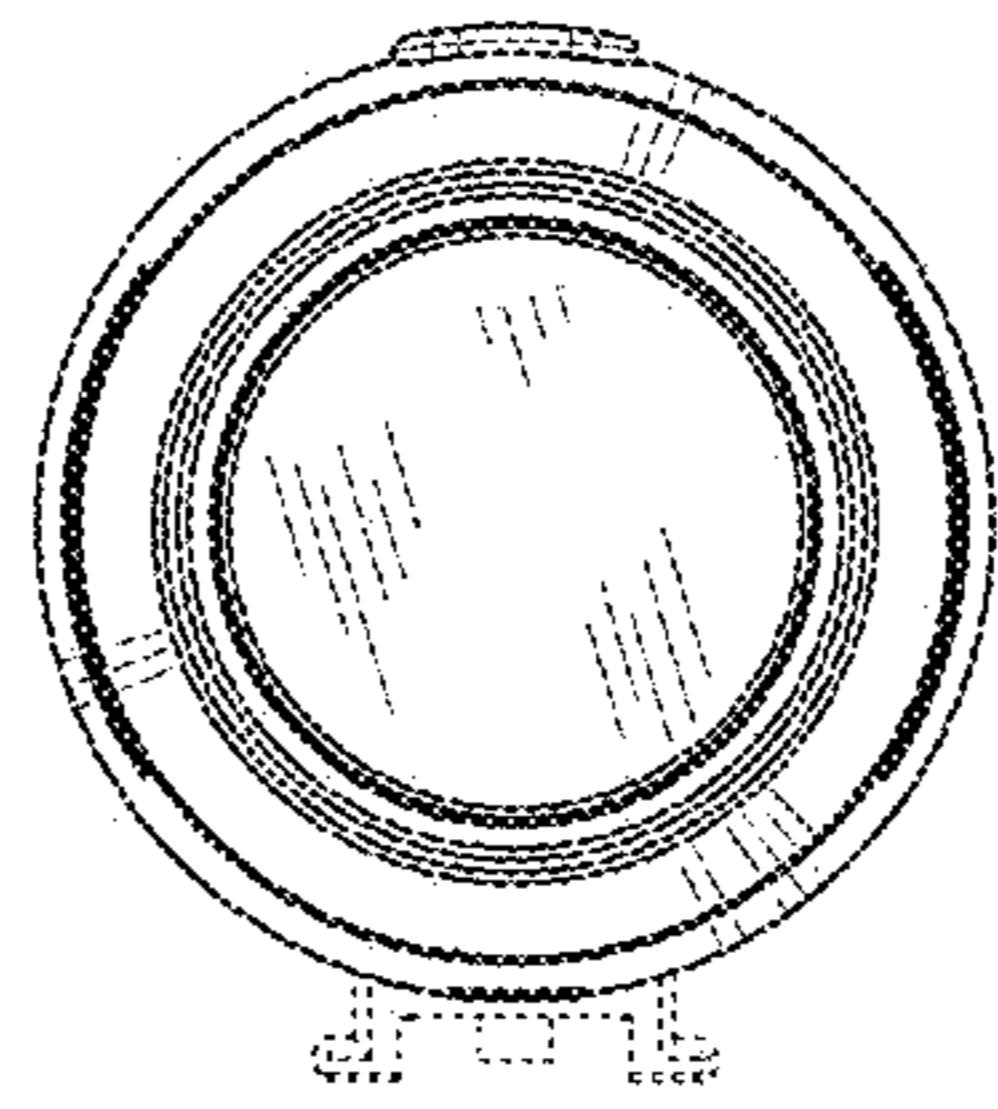


Figure 4

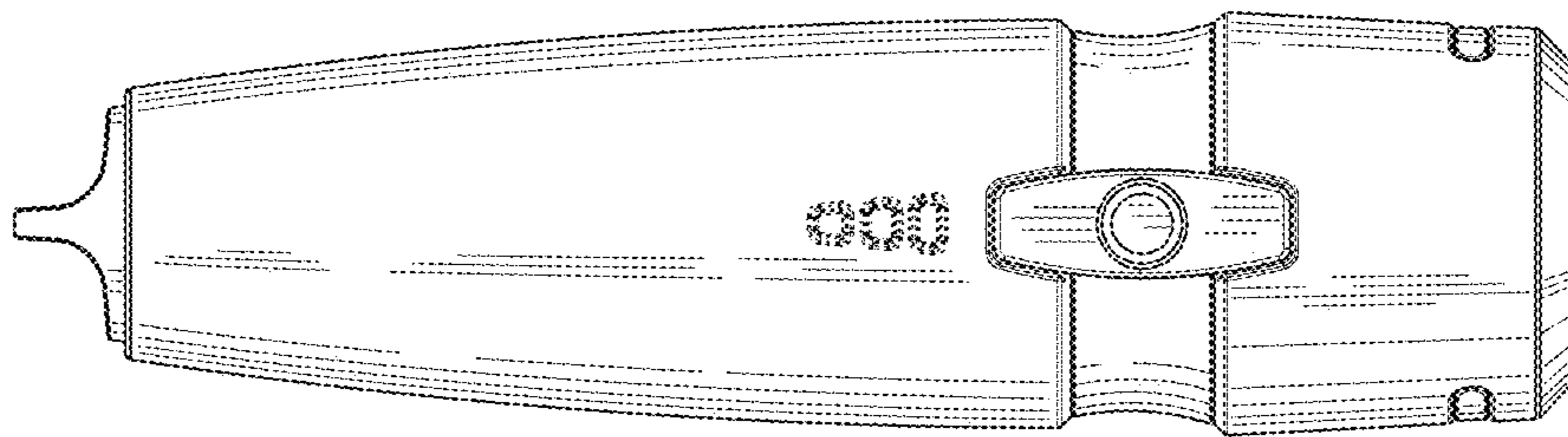


Figure 5

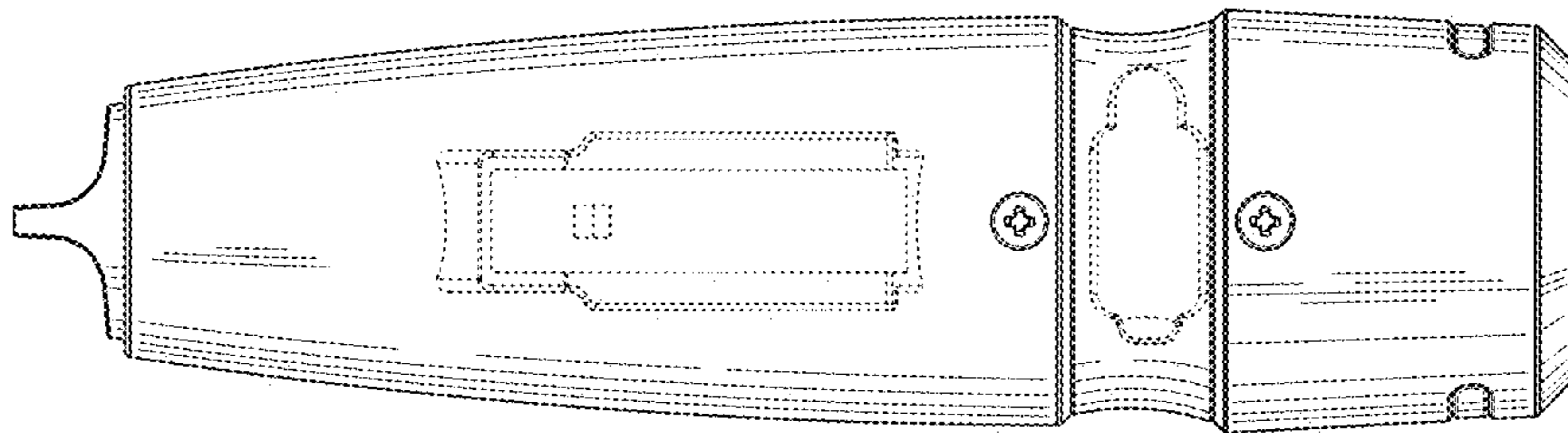


Figure 6

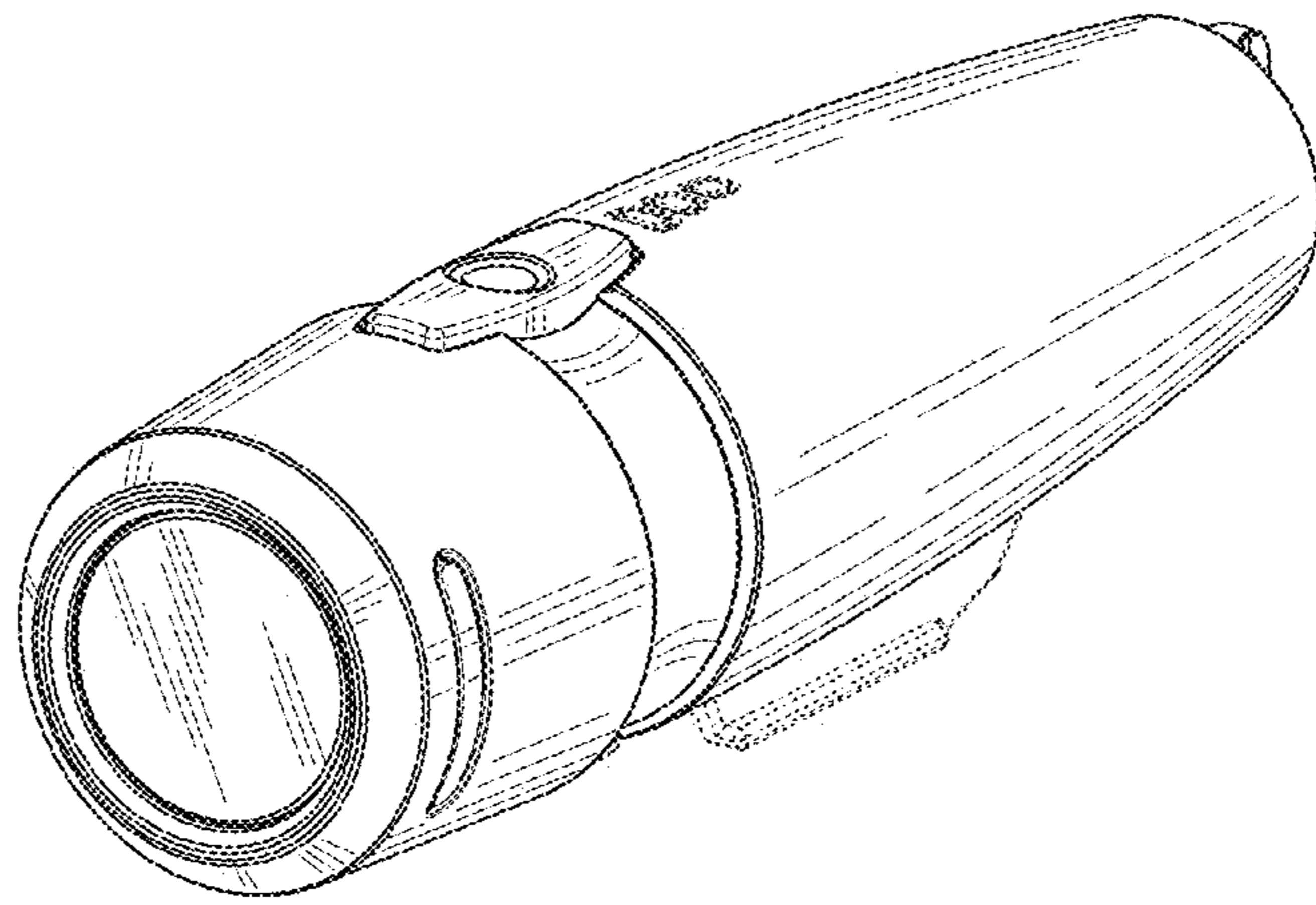


Figure 7