



US00D881421S

(12) **United States Design Patent**
Yin

(10) **Patent No.:** **US D881,421 S**

(45) **Date of Patent:** **** Apr. 14, 2020**

(54) **GARAGE LED LIGHT**

(71) Applicant: **SHANGHAI SYLSTAR TECHNOLOGY CO. LTD.**, Shanghai (CN)

(72) Inventor: **Xintao Yin**, Shanghai (CN)

(**) Term: **15 Years**

(21) Appl. No.: **29/714,551**

(22) Filed: **Nov. 25, 2019**

(51) **LOC (12) Cl.** **26-04**

(52) **U.S. Cl.**
USPC **D26/2**

(58) **Field of Classification Search**
USPC D26/1-4
CPC H01R 5/00; H01R 13/46; H01R 13/514; H01R 31/048; H01R 31/02; H01J 5/00; H01J 5/16; H01J 1/02; H01J 15/00; H01J 5/48; H01J 5/50; H01J 19/54; F21V 5/00; F21V 29/004; F21K 9/00; F21K 13/00
See application file for complete search history.

(56) **References Cited**

U.S. PATENT DOCUMENTS

D626,666 S * 11/2010 Yamamoto D26/2
D650,926 S * 12/2011 Lai D26/2

D682,447 S * 5/2013 Lyu D26/2
D687,978 S 8/2013 Jeon et al.
D688,821 S * 8/2013 Fuersich D26/2
D701,629 S * 3/2014 Steedly D26/2
D718,892 S 12/2014 Kim et al.
D768,330 S 10/2016 Keng et al.

* cited by examiner

Primary Examiner — Marcus A Jackson

(74) *Attorney, Agent, or Firm* — HYIP

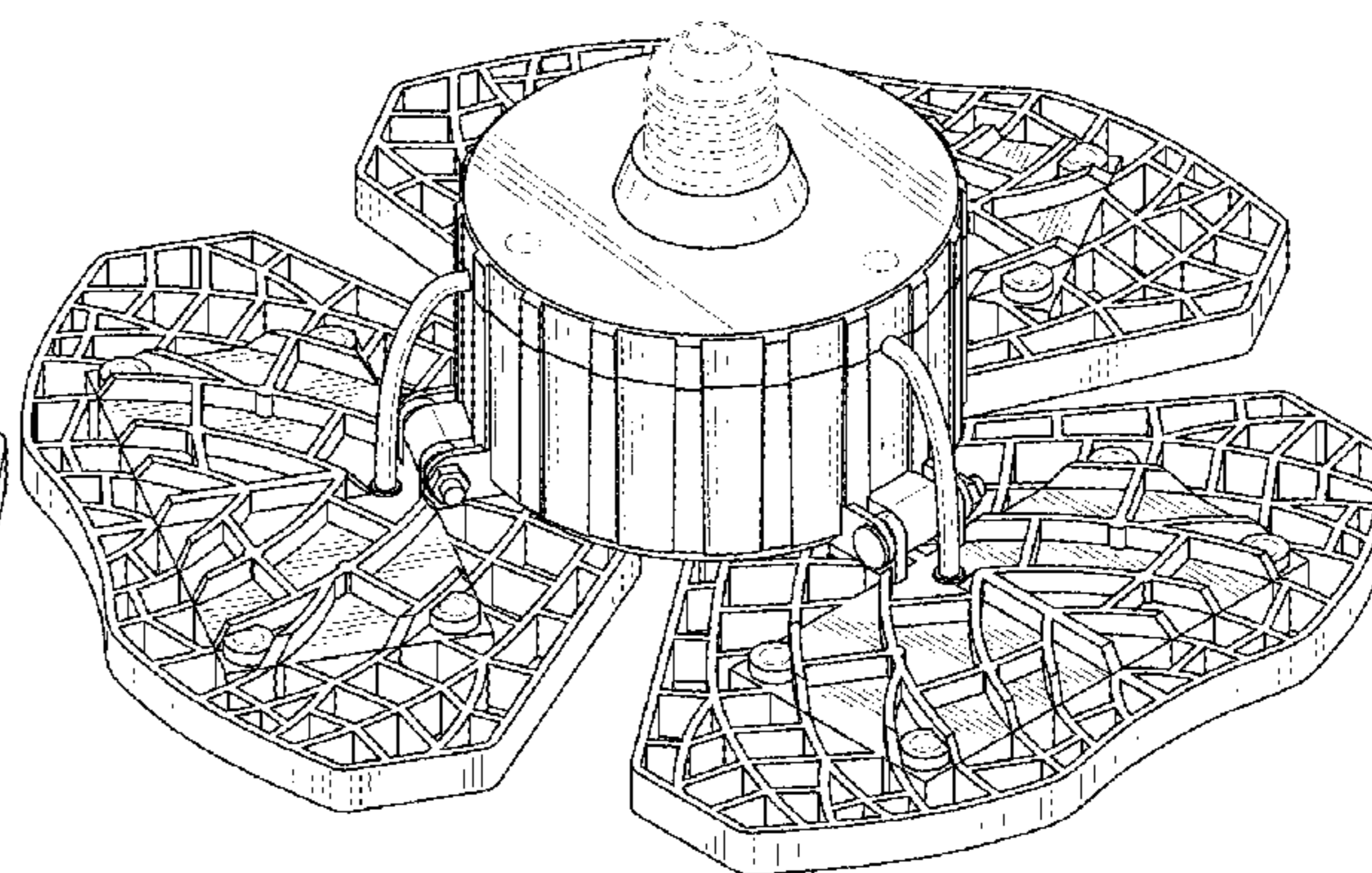
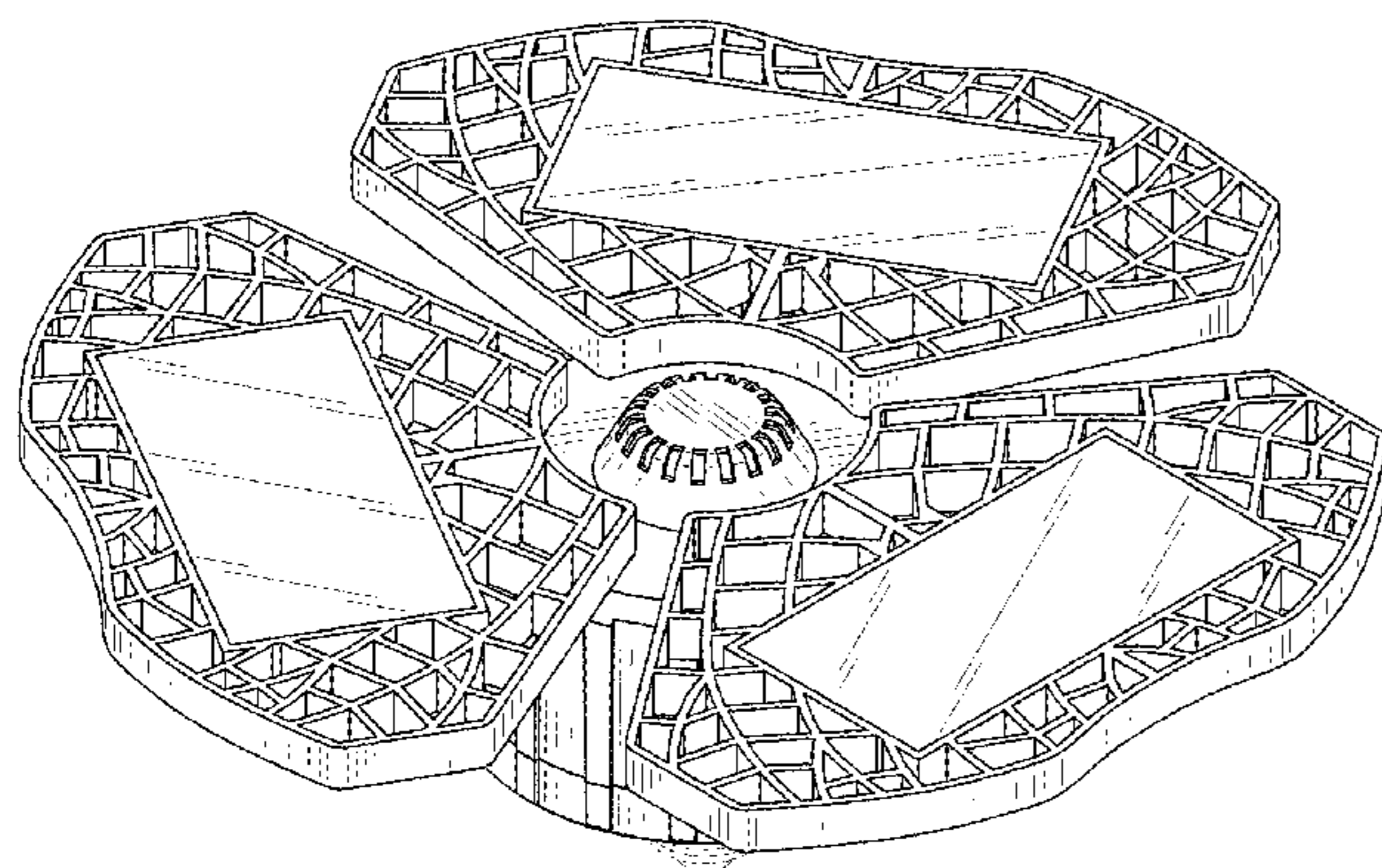
(57) **CLAIM**

The ornamental design for a garage LED light, as shown and described.

DESCRIPTION

FIG. 1 is a first perspective view of a garage LED light showing my new design;
FIG. 2 is a second perspective view thereof;
FIG. 3 is a front view thereof;
FIG. 4 is a back view thereof;
FIG. 5 is a left side view thereof;
FIG. 6 is a right side view thereof;
FIG. 7 is a top view thereof; and,
FIG. 8 is a bottom view thereof.
The broken lines shown in the drawings depict portions of the garage LED light in which the design is embodied that form no part of the claimed design.

1 Claim, 8 Drawing Sheets



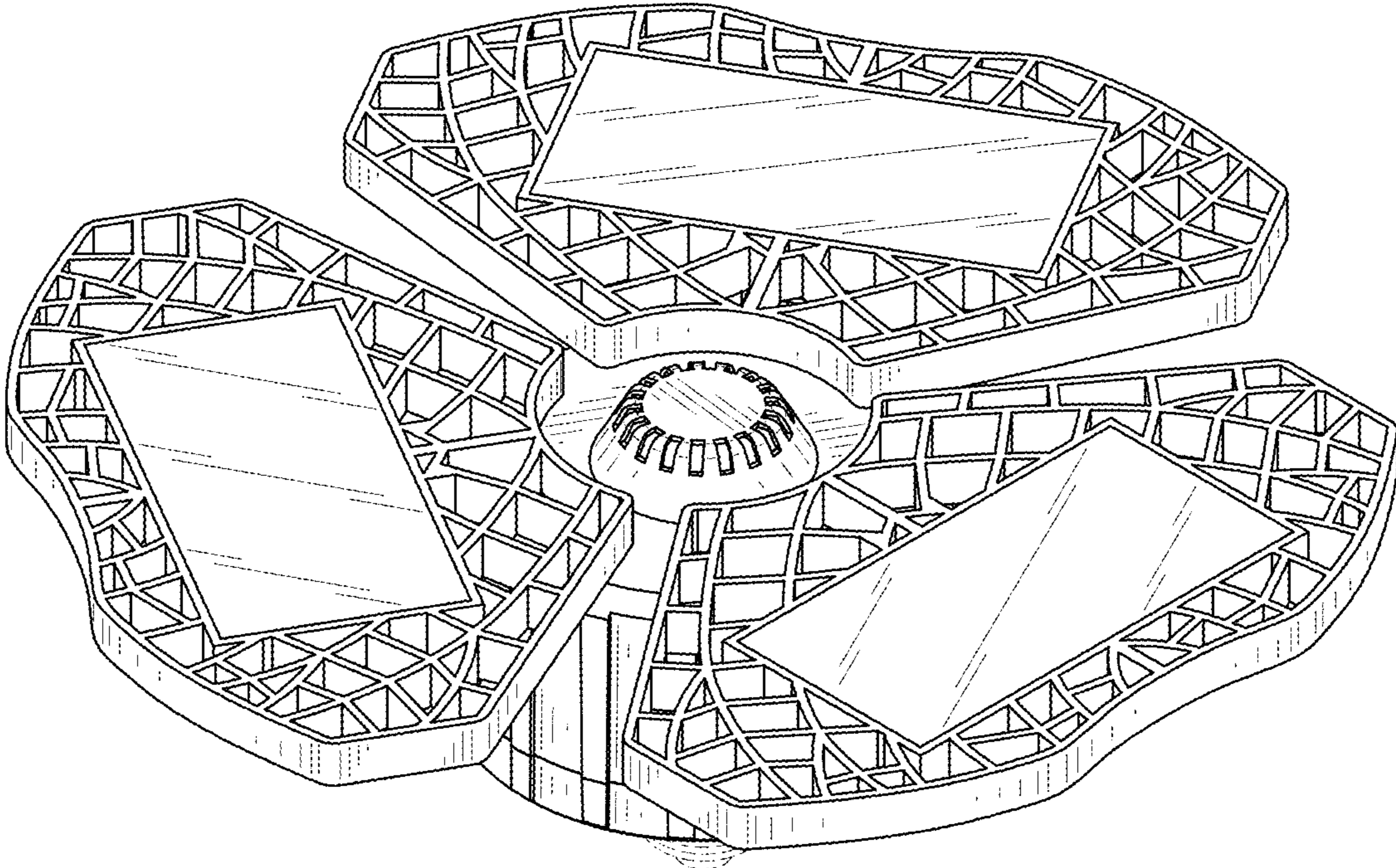


FIG. 1

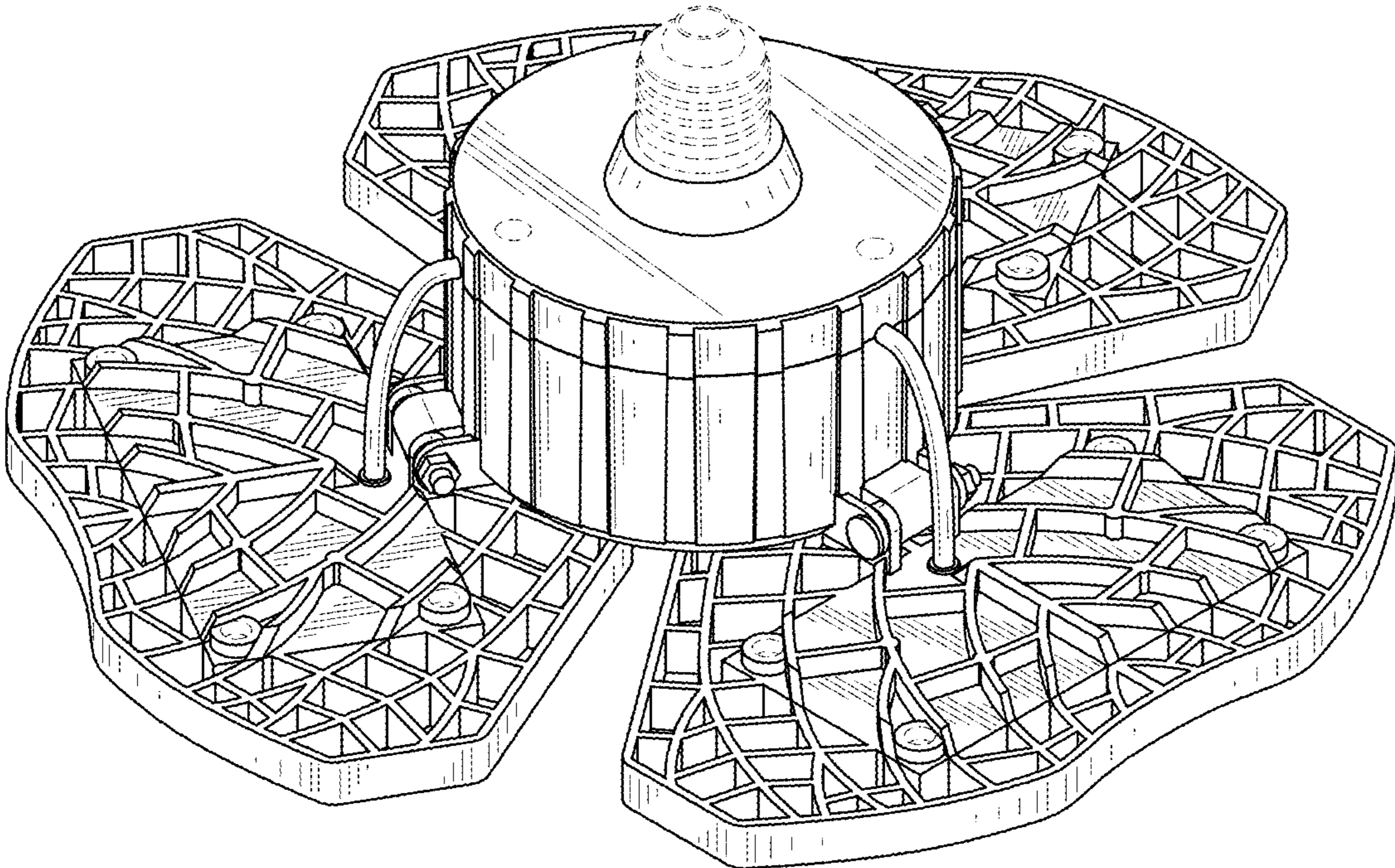


FIG. 2

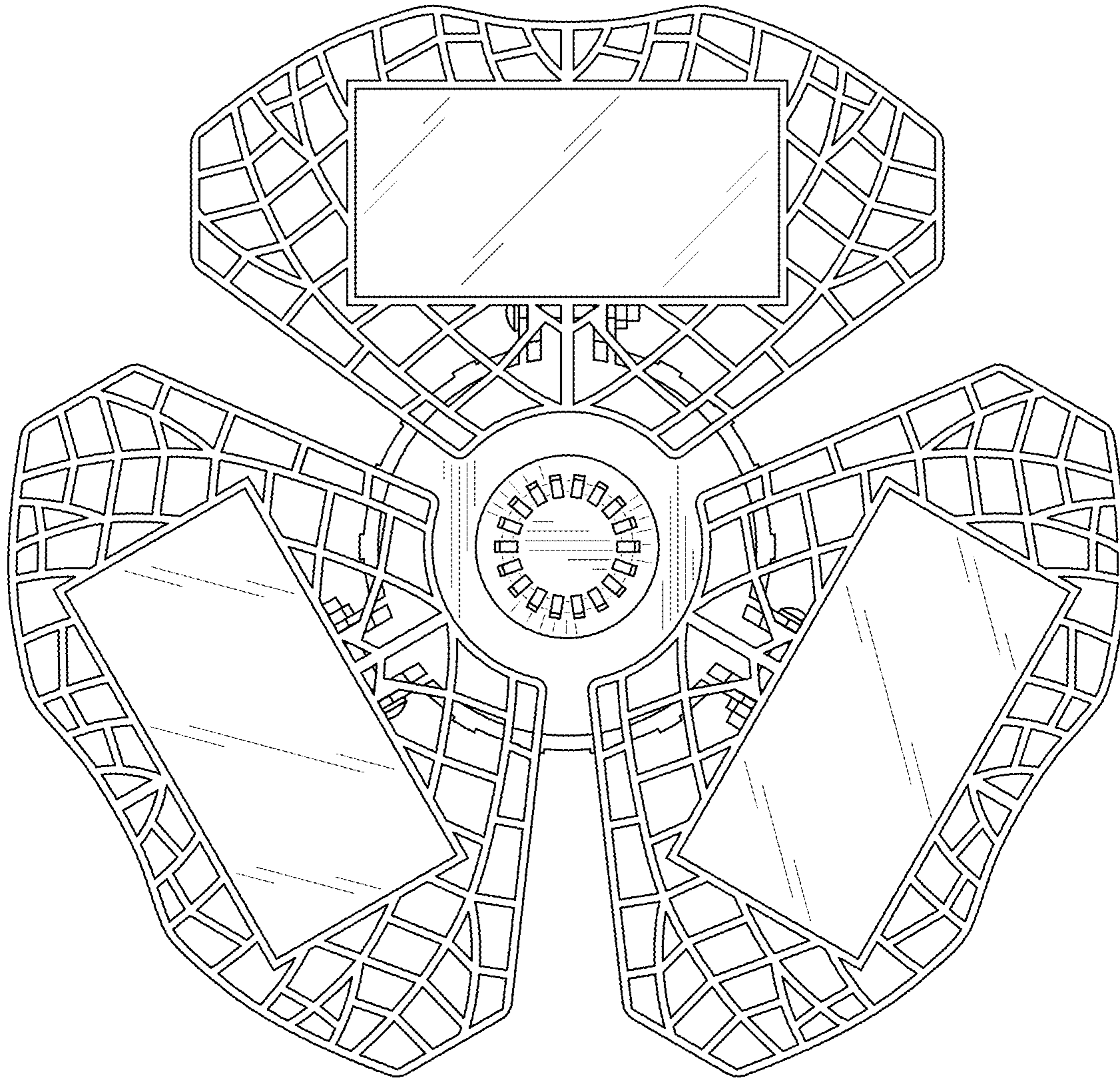


FIG. 3

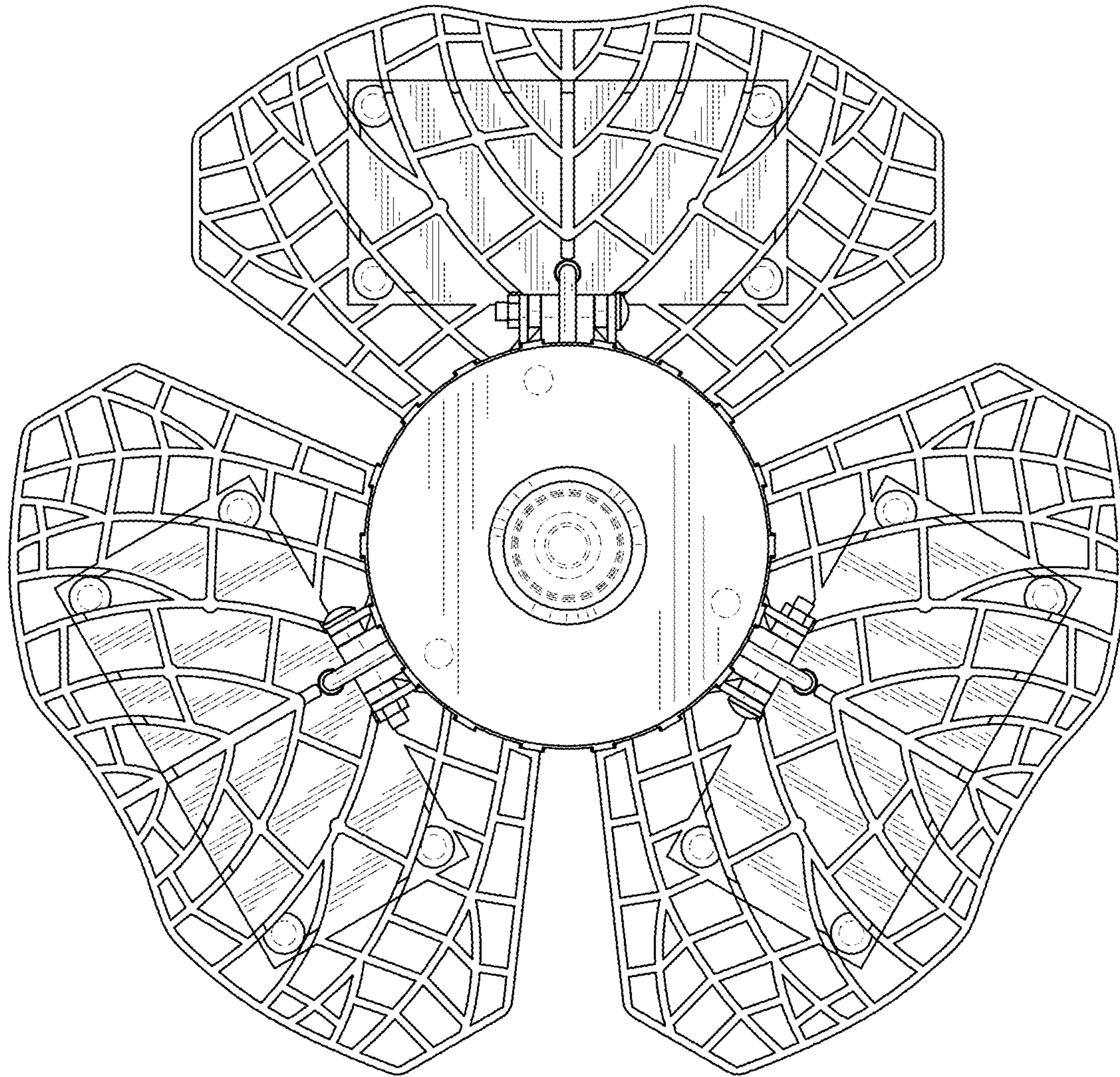


FIG. 4

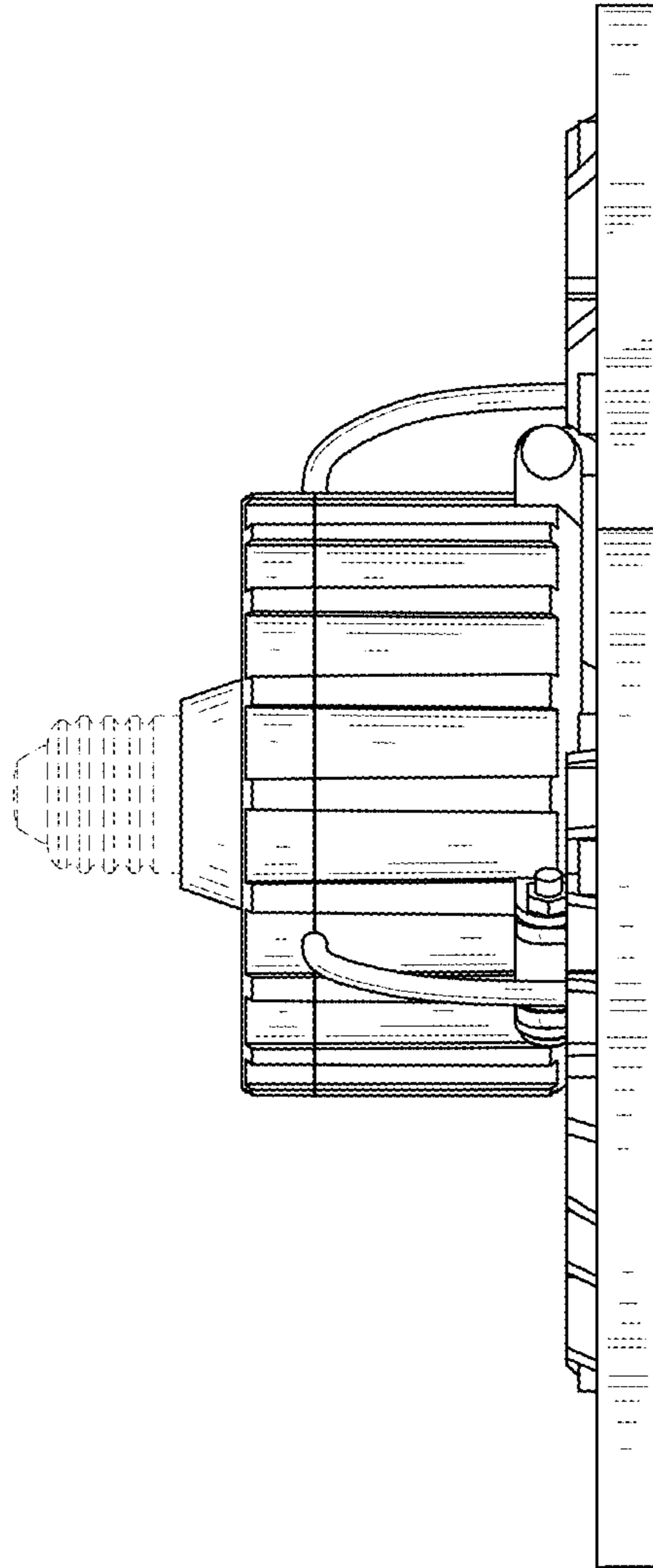


FIG. 5

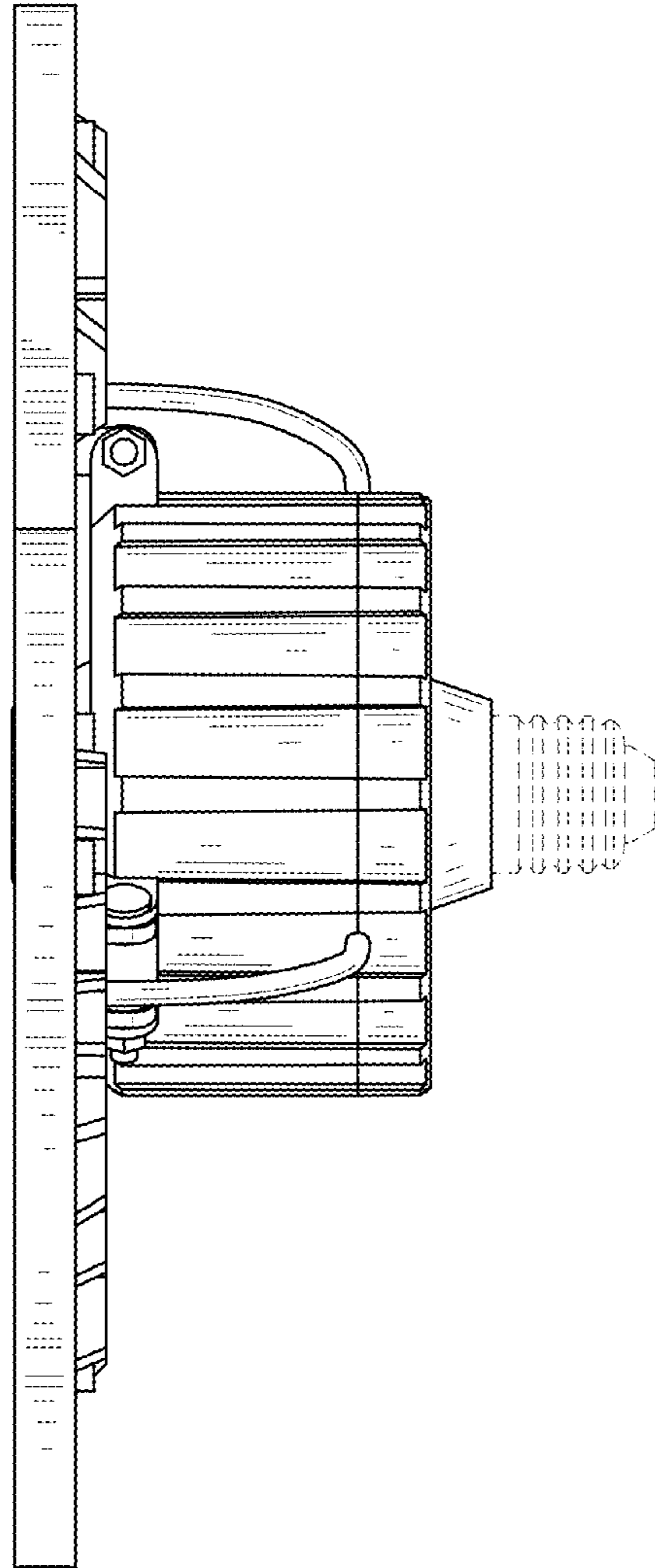


FIG. 6

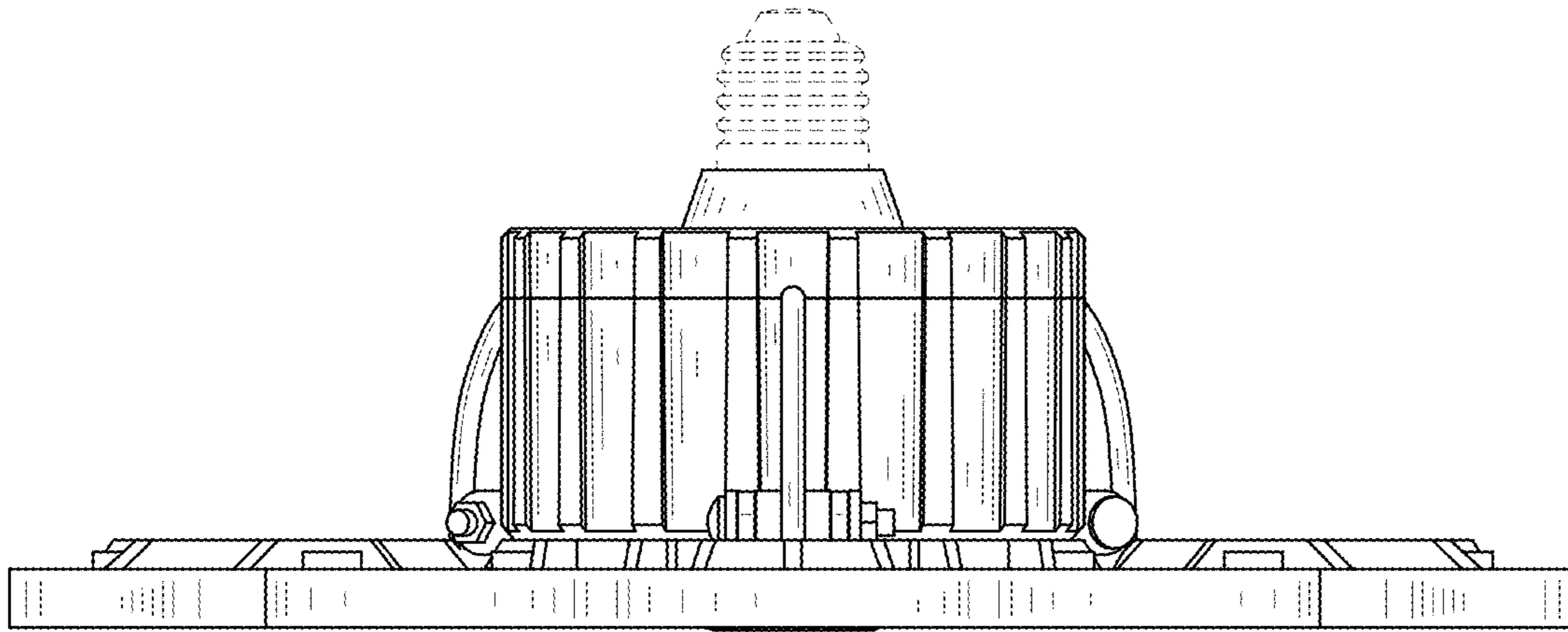


FIG. 7

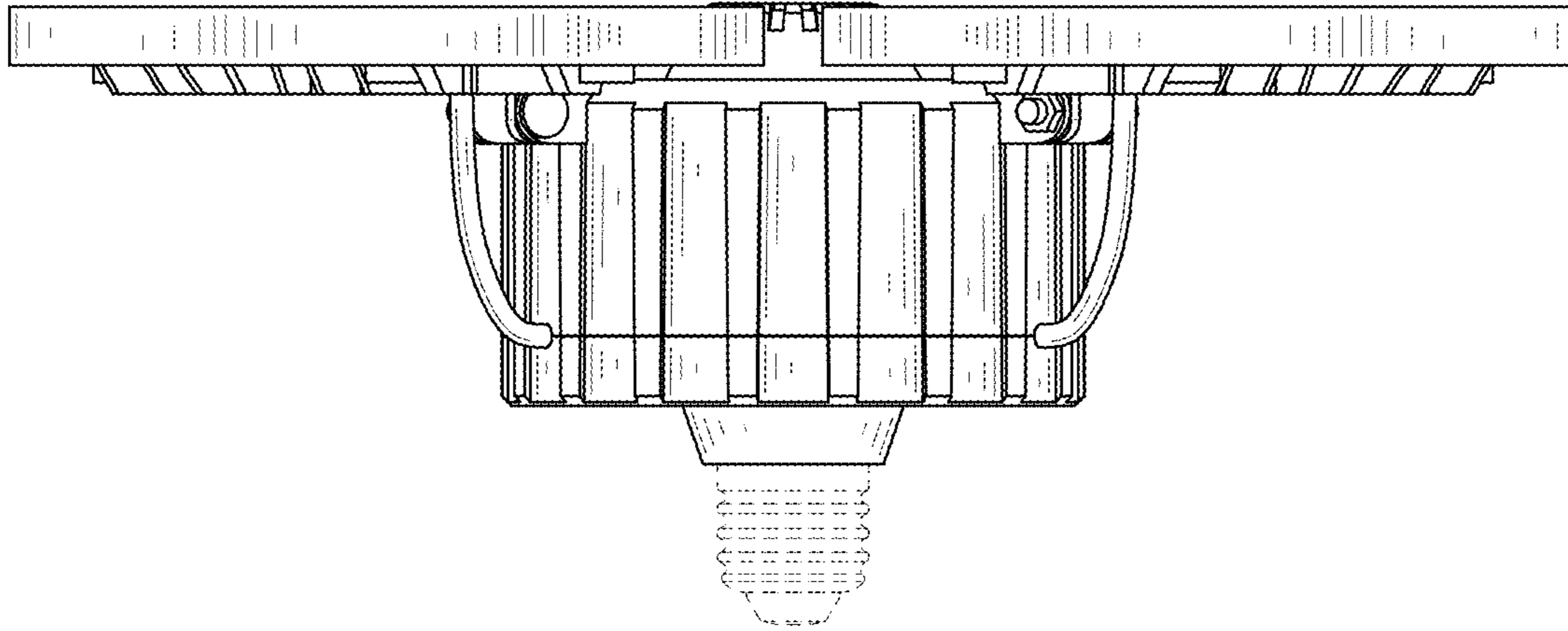


FIG. 8