



US00D881418S

(12) **United States Design Patent** (10) **Patent No.:** **US D881,418 S**  
**Noe** (45) **Date of Patent:** **\*\* Apr. 14, 2020**

(54) **COVER FOR SUPPORT FOR PATIO ROOFING SYSTEM**

(71) Applicant: **Renaissance Patio Products LLC**,  
Doral, FL (US)

(72) Inventor: **Christopher Noe**, Doral, FL (US)

(73) Assignee: **RENAISSANCE PATIO PRODUCTS, LLC**, Doral, FL (US)

(\*\*) Term: **15 Years**

(21) Appl. No.: **29/644,162**

(22) Filed: **Apr. 16, 2018**

(51) **LOC (12) Cl.** ..... **25-01**

(52) **U.S. Cl.**  
USPC ..... **D25/133**

(58) **Field of Classification Search**  
USPC ..... D25/55, 56, 126, 127, 132, 133, 199  
CPC . E04F 11/181; E04F 11/1838; E04F 11/1842;  
E04F 2011/1887; E04F 2011/1897; E04H  
17/1434; E04H 17/24; E04H 2017/1478  
See application file for complete search history.

(56) **References Cited**

**U.S. PATENT DOCUMENTS**

D471,644 S	*	3/2003	Schaefer	.....	D25/126
D513,536 S	*	1/2006	Walker	.....	D25/133
D530,834 S	*	10/2006	Navare	.....	D25/133
D547,463 S	*	7/2007	Gross	.....	D25/133
D583,081 S	*	12/2008	Ryan	.....	D25/126
D600,363 S	*	9/2009	Svedberg	.....	D25/133
D610,718 S	*	2/2010	Ringus	.....	D25/133

8,033,530 B2	*	10/2011	Timothy	.....	E04F 11/181 256/22
D669,197 S	*	10/2012	Connor	.....	D25/133
D673,306 S	*	12/2012	Chung	.....	D25/133
D764,070 S	*	8/2016	Lussier	.....	D25/133
D806,266 S	*	12/2017	Honein	.....	D25/38.1
D814,661 S	*	4/2018	Hayman	.....	D25/133
2003/0221385 A1	*	12/2003	Platt	.....	E04F 11/1812 52/296
2018/0066448 A1	*	3/2018	Cavanagh	.....	E04H 17/163

**FOREIGN PATENT DOCUMENTS**

CN	3557331	*	8/2006
CN	303623854	*	3/2016
JP	D1163383	*	1/2003
JP	D1534378	*	10/2015
KR	300776317.0000	*	12/2014

\* cited by examiner

*Primary Examiner* — Leanne Was-Englehart  
(74) *Attorney, Agent, or Firm* — Mark Terry

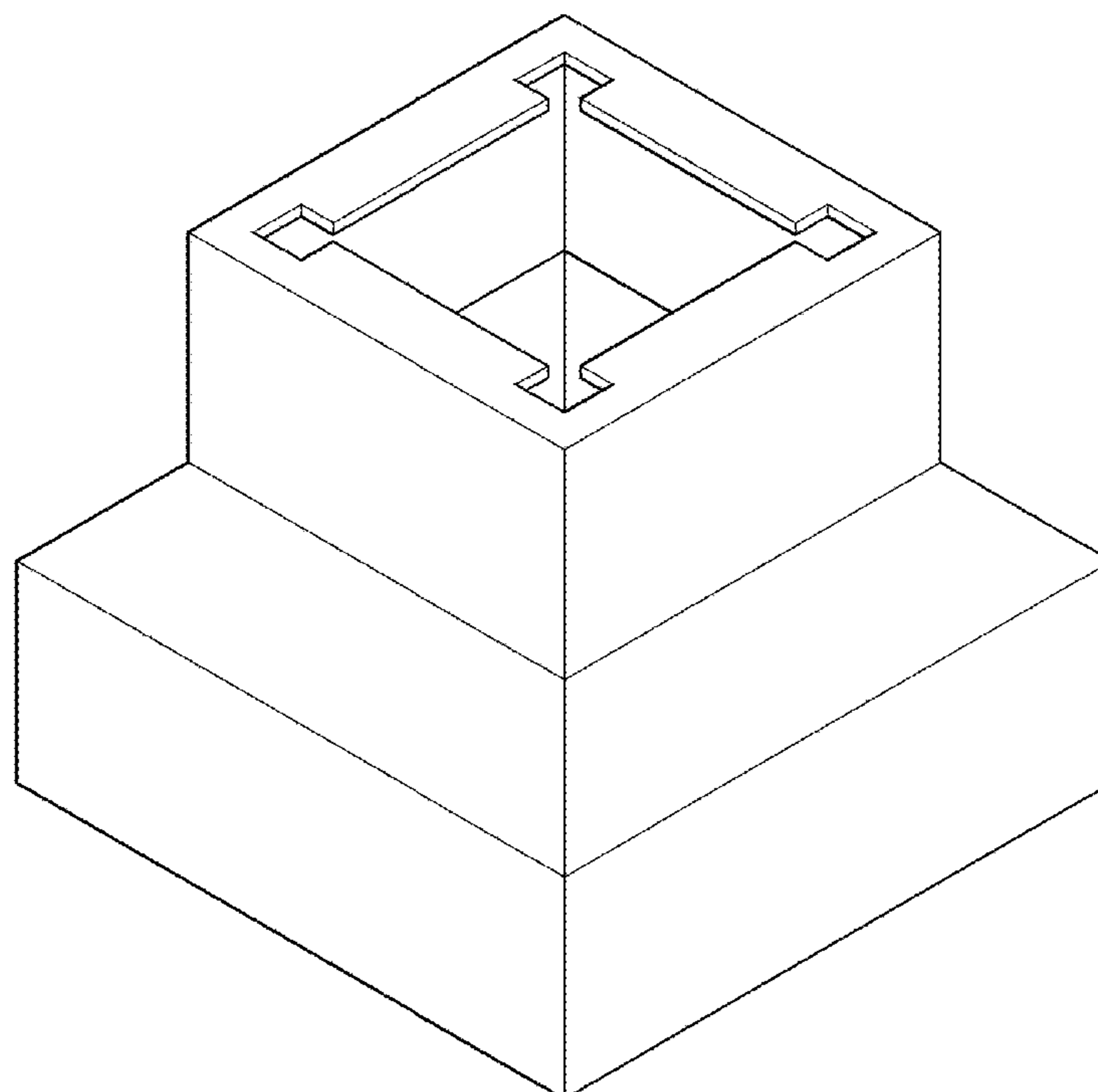
(57) **CLAIM**

The ornamental design for a cover for support for patio roofing system, as shown and described.

**DESCRIPTION**

FIG. 1 is a top perspective view of a cover for support for patio roofing system, showing the new design;  
FIG. 2 is a front perspective view thereof;  
FIG. 3 is a front view thereof;  
FIG. 4 is a bottom view thereof;  
FIG. 5 is a top view thereof; and,  
FIG. 6 is a bottom perspective view thereof.

**1 Claim, 6 Drawing Sheets**



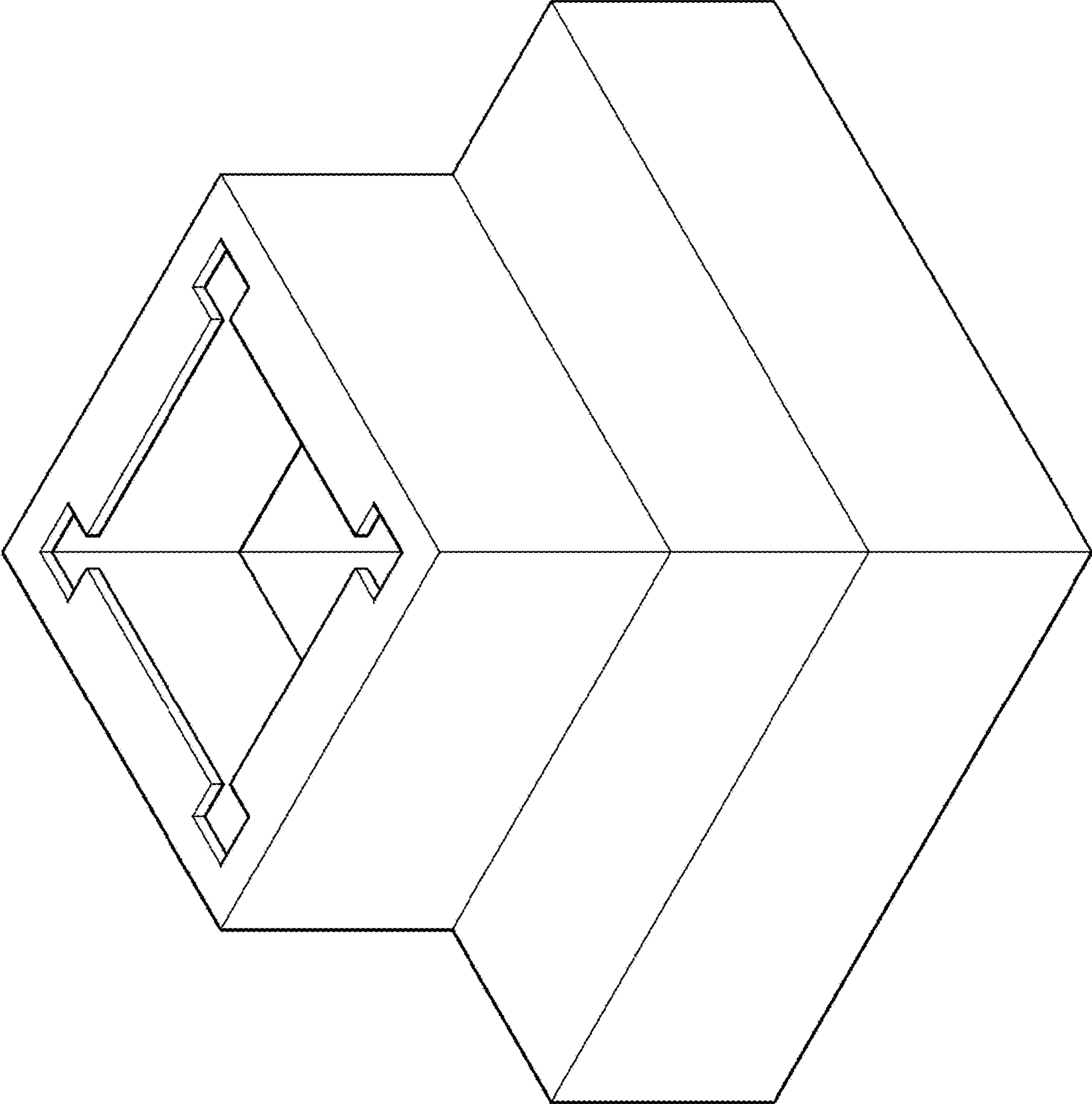


FIG. 1

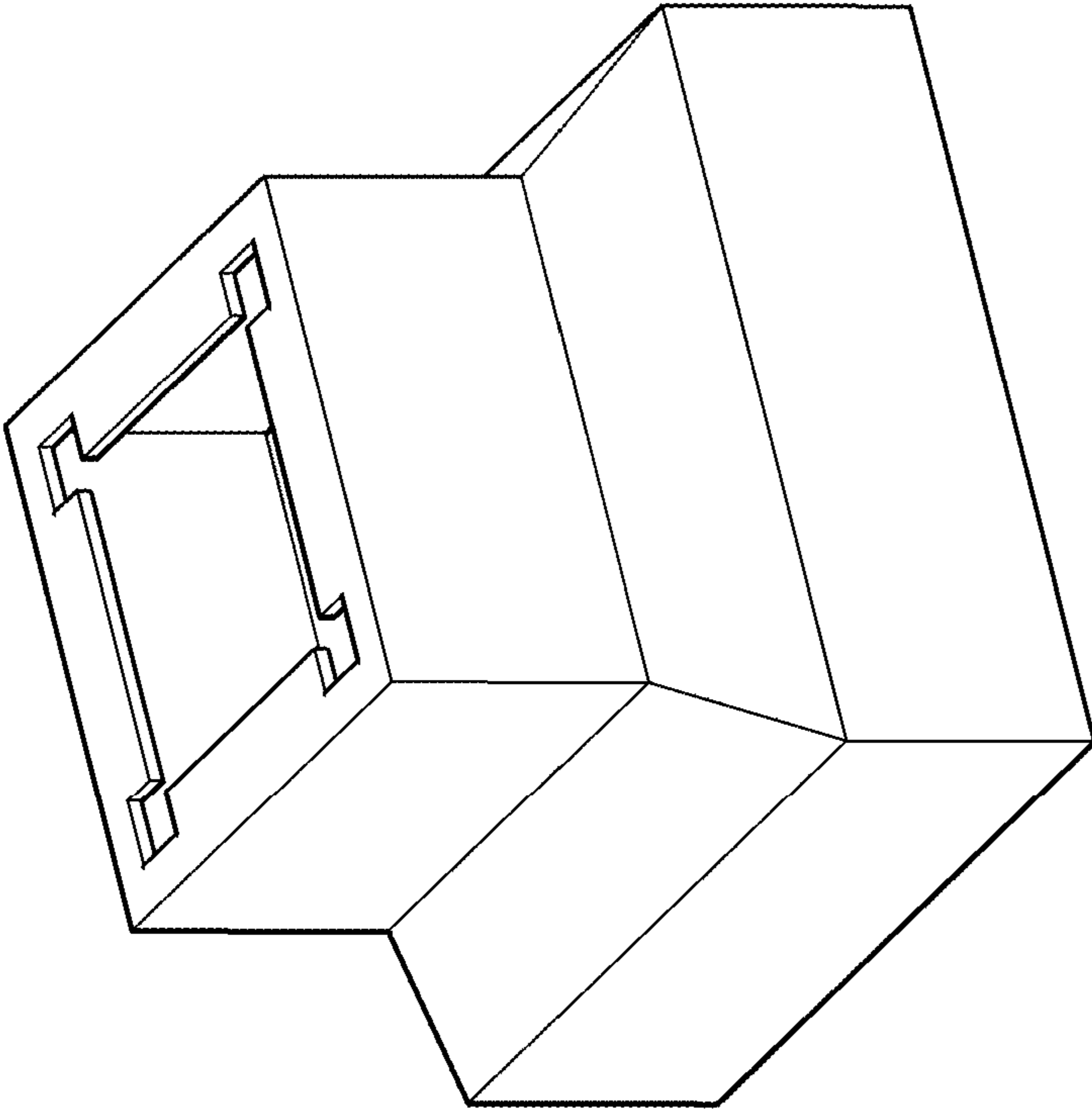


FIG. 2

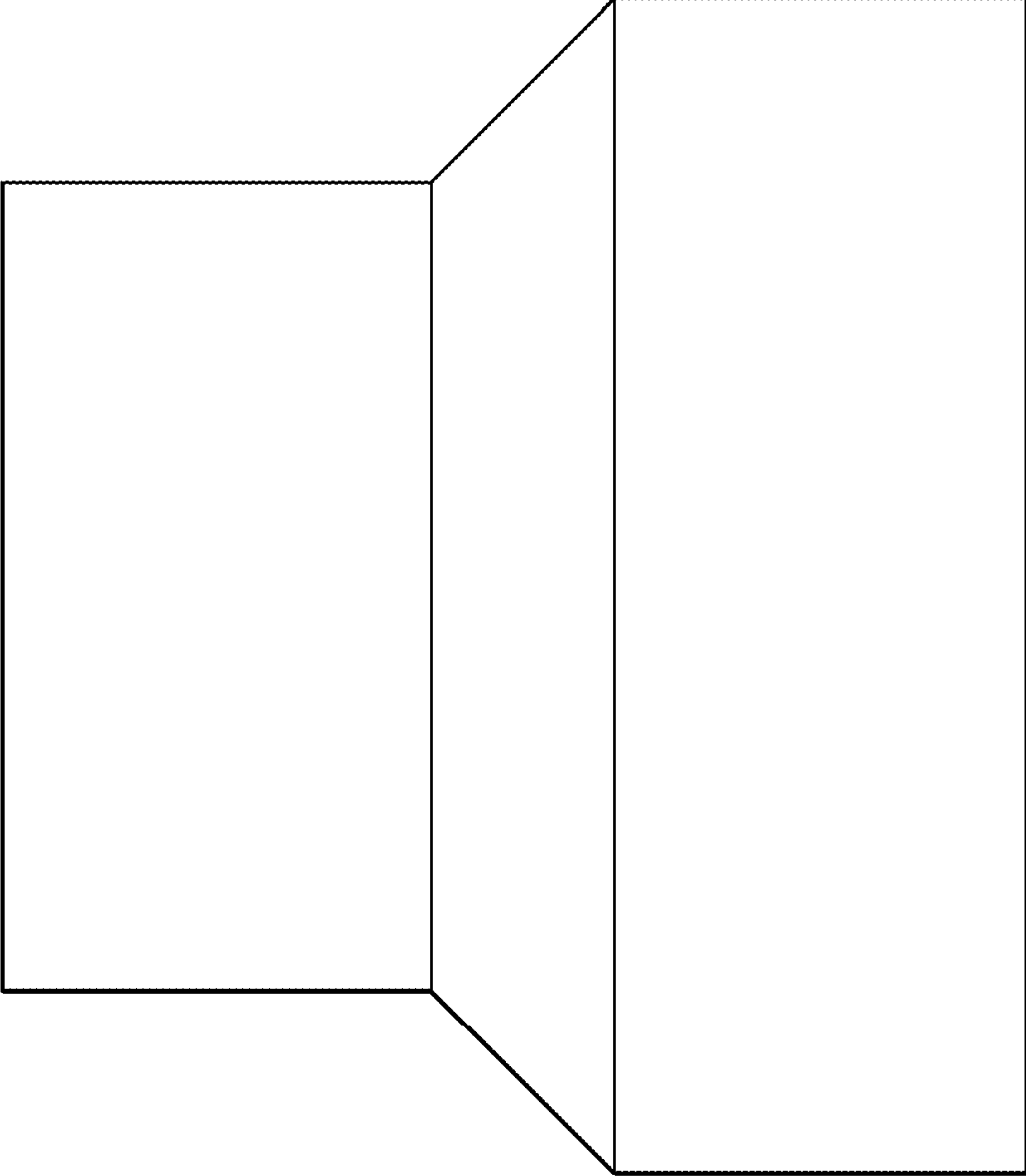


FIG. 3

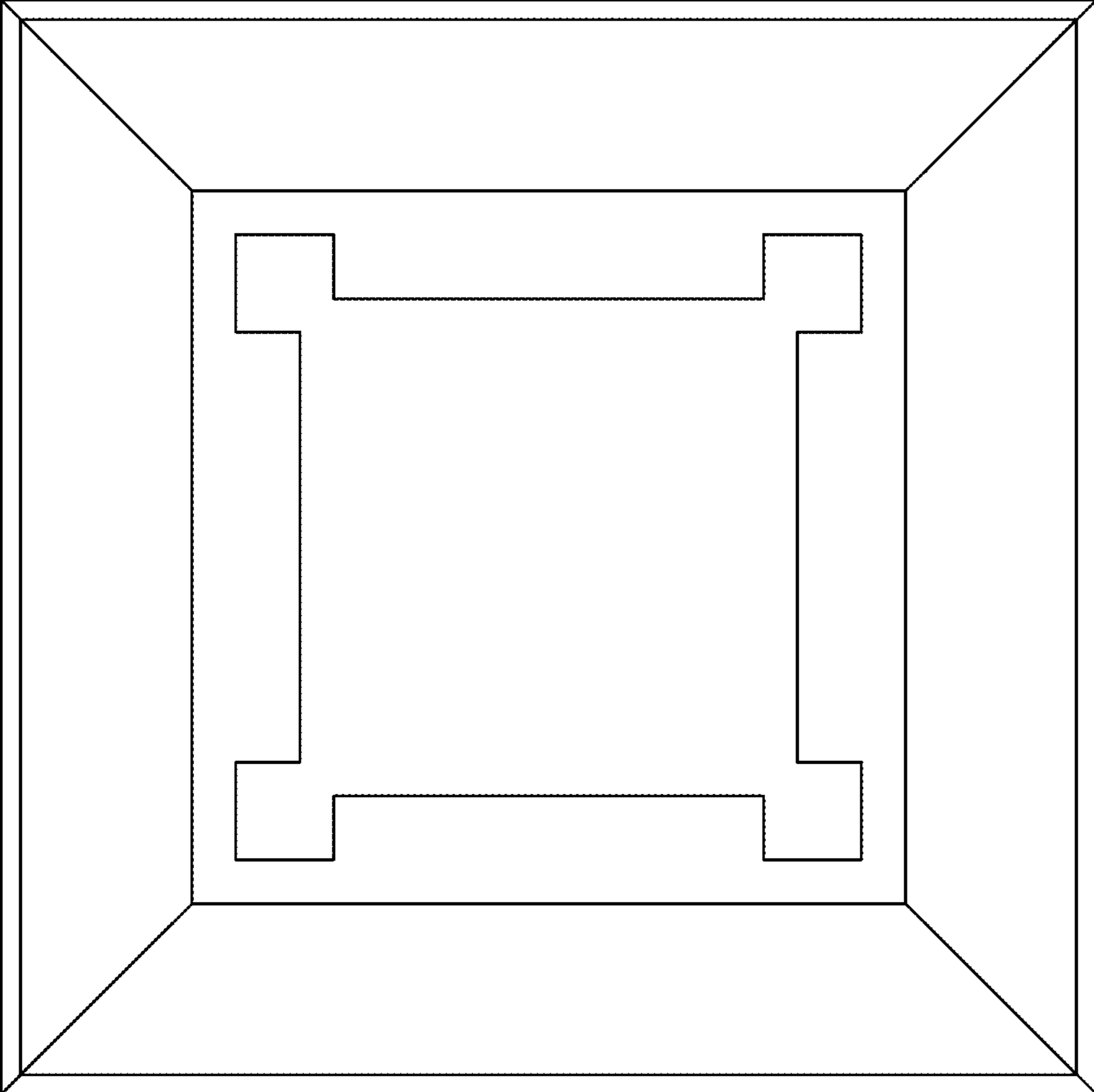


Fig. 4

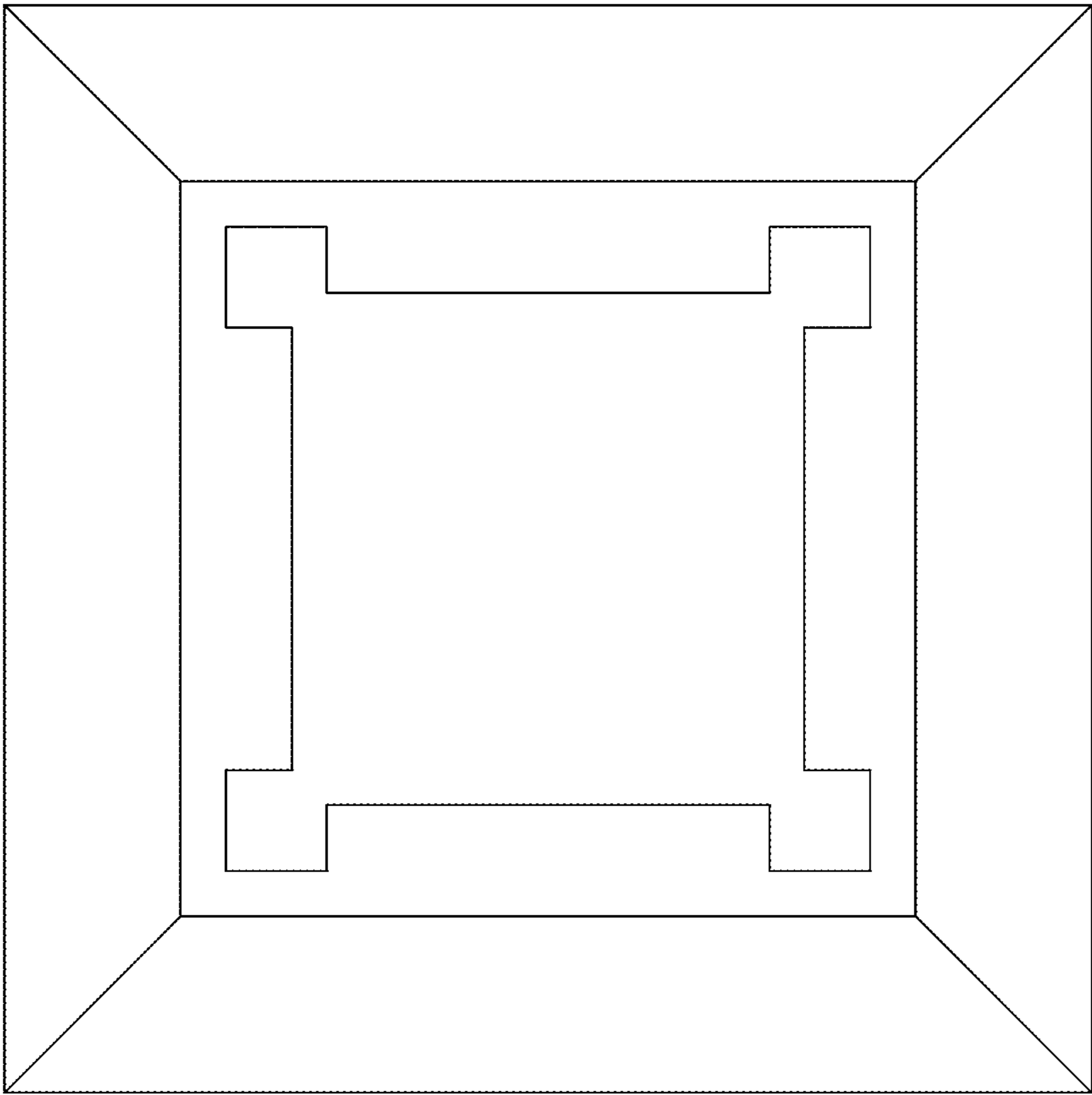


Fig. 5

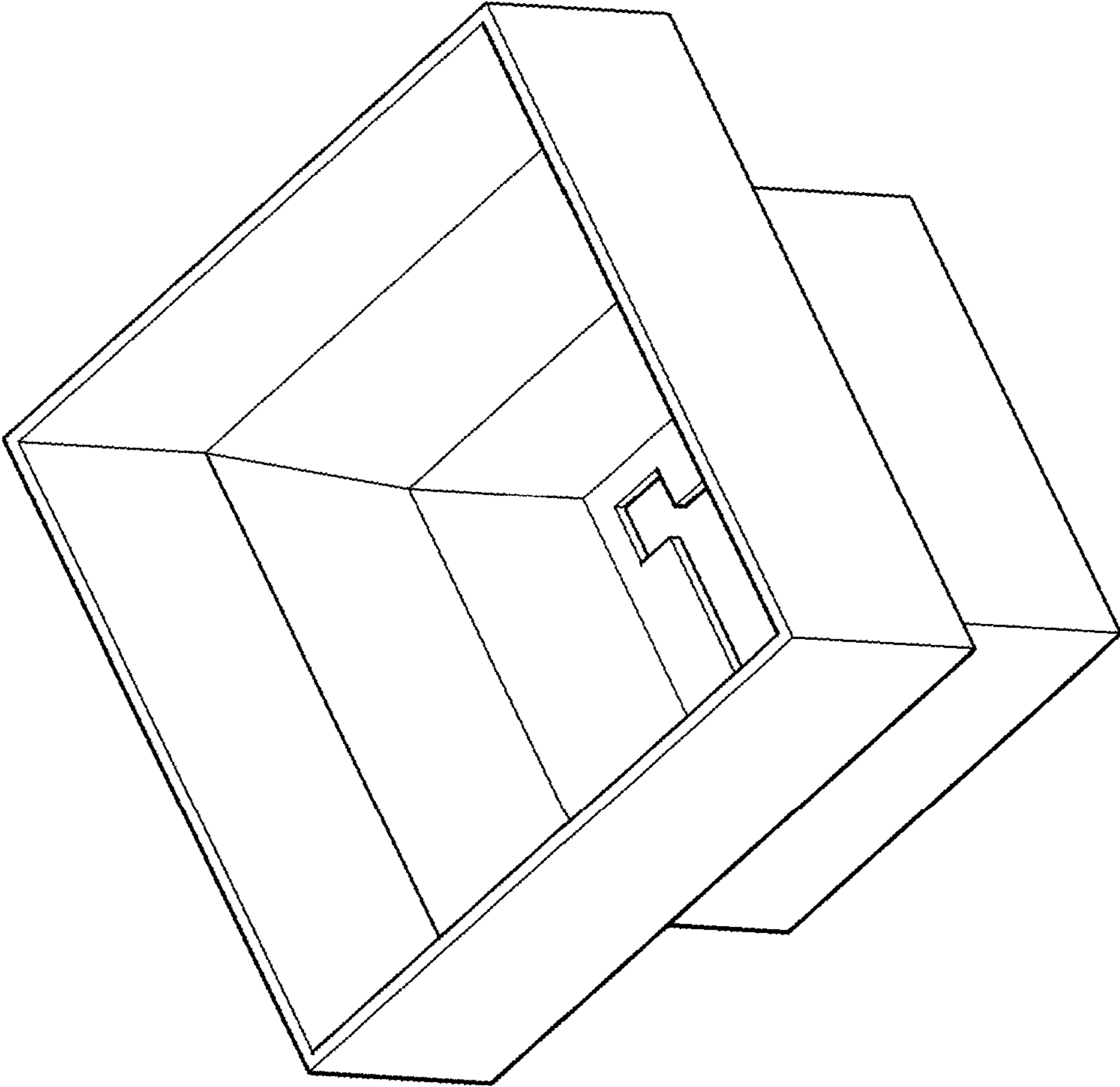


FIG. 6