



US00D881416S

(12) **United States Design Patent**
Jiang

(10) **Patent No.:** **US D881,416 S**

(45) **Date of Patent:** **** *Apr. 14, 2020**

- (54) **BEAM**
- (71) Applicant: **Jiangmen Eurofix Metal and Rubber Products Co., Ltd.**, Jiangmen, Guangdong Province (CN)
- (72) Inventor: **Shizhong Jiang**, Jiangmen (CN)
- (73) Assignee: **JIANGMEN EUROFIX METAL AND RUBBER PRODUCTS CO., LTD.**, Jiangmen (CN)

- 2,186,297 A * 1/1940 Hunnebeck E04B 7/00
52/18
- 3,282,006 A * 11/1966 Halsey E04B 2/76
403/384
- 3,396,499 A * 8/1968 Biffani E04B 1/2403
52/127.12
- 3,456,413 A * 7/1969 Fischer A63H 33/082
446/125
- D361,631 S * 8/1995 King D25/128
- D370,423 S * 6/1996 Nagai D10/94
- D473,661 S * 4/2003 Kim D25/122

(Continued)

(*) Notice: This patent is subject to a terminal disclaimer.

Primary Examiner — Leanne Was-Englehart

(74) *Attorney, Agent, or Firm* — Hayes Soloway PC

(**) Term: **15 Years**

(21) Appl. No.: **29/634,572**

(22) Filed: **Jan. 23, 2018**

(51) **LOC (12) Cl.** **25-01**

(52) **U.S. Cl.**
USPC **D25/122**

(58) **Field of Classification Search**
USPC D8/354; D25/38.1, 41.1, 60, 61, 68,
D25/119–126, 131, 132, 164, 199
CPC E04C 3/00; E04C 3/09; E04C 3/30; E04C
3/32; E04C 2003/0465; E04F 13/08;
E04F 13/0826; E04F 13/0889; E04F
13/12; E04H 1/00; A01G 9/14; A01G
9/1407; E04B 7/026; E04B 7/08; E04B
1/00; E04B 1/18; E04B 1/19; E04B 1/24;
E04B 1/2403; E04B 2001/2466; E04B
2001/2469; E04B 2001/2472; E04B
2001/2475; E04B 2/56; E04B 2/58; E04B
2/60; E04B 2/76; E04B 2/78; E04B
2/7809; E04B 2/7827; E04B 2/7872
See application file for complete search history.

(56) **References Cited**

U.S. PATENT DOCUMENTS

- 742,549 A * 10/1903 Zeh 29/897.35
- 799,320 A * 9/1905 Franks F16L 9/22
138/154

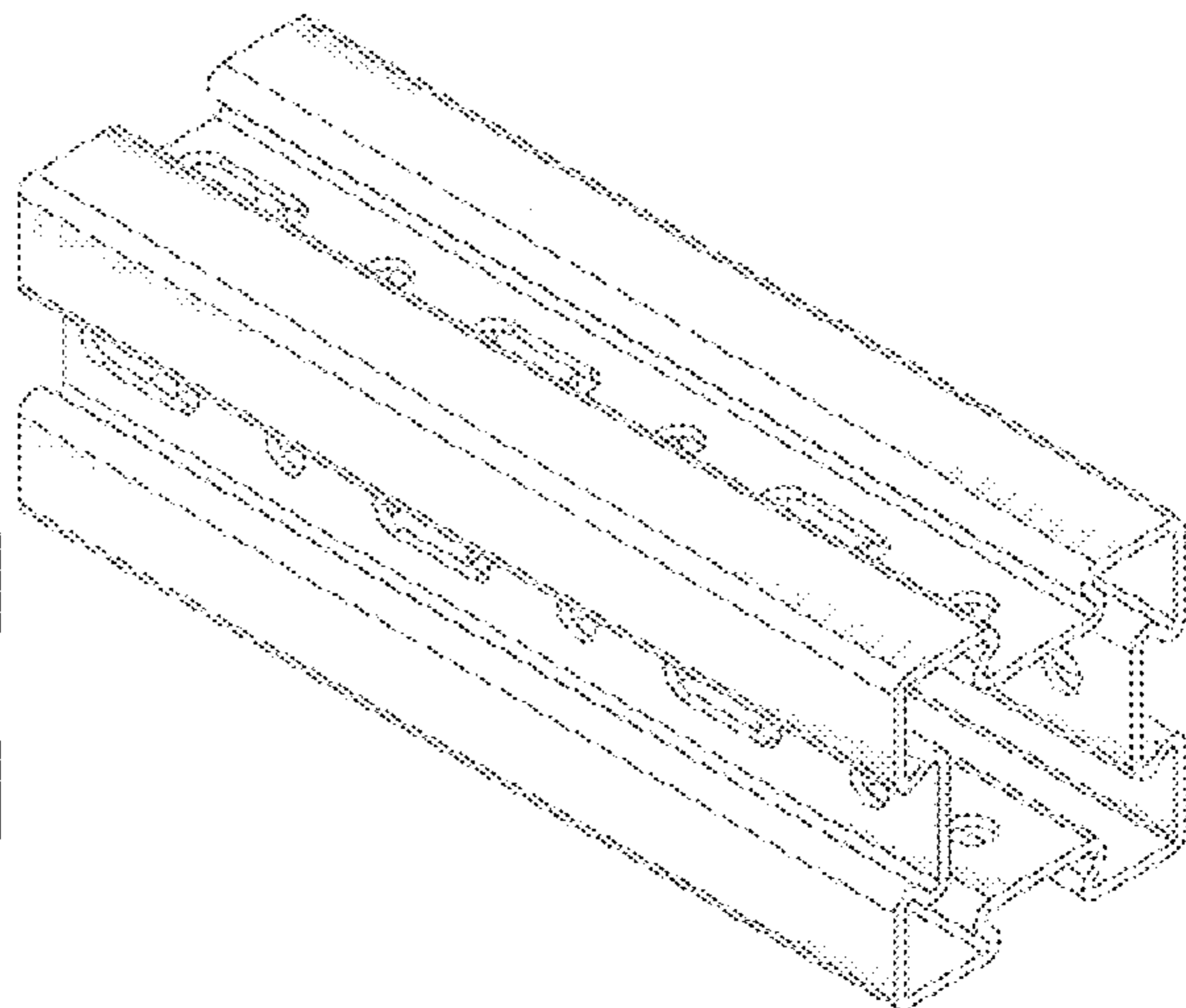
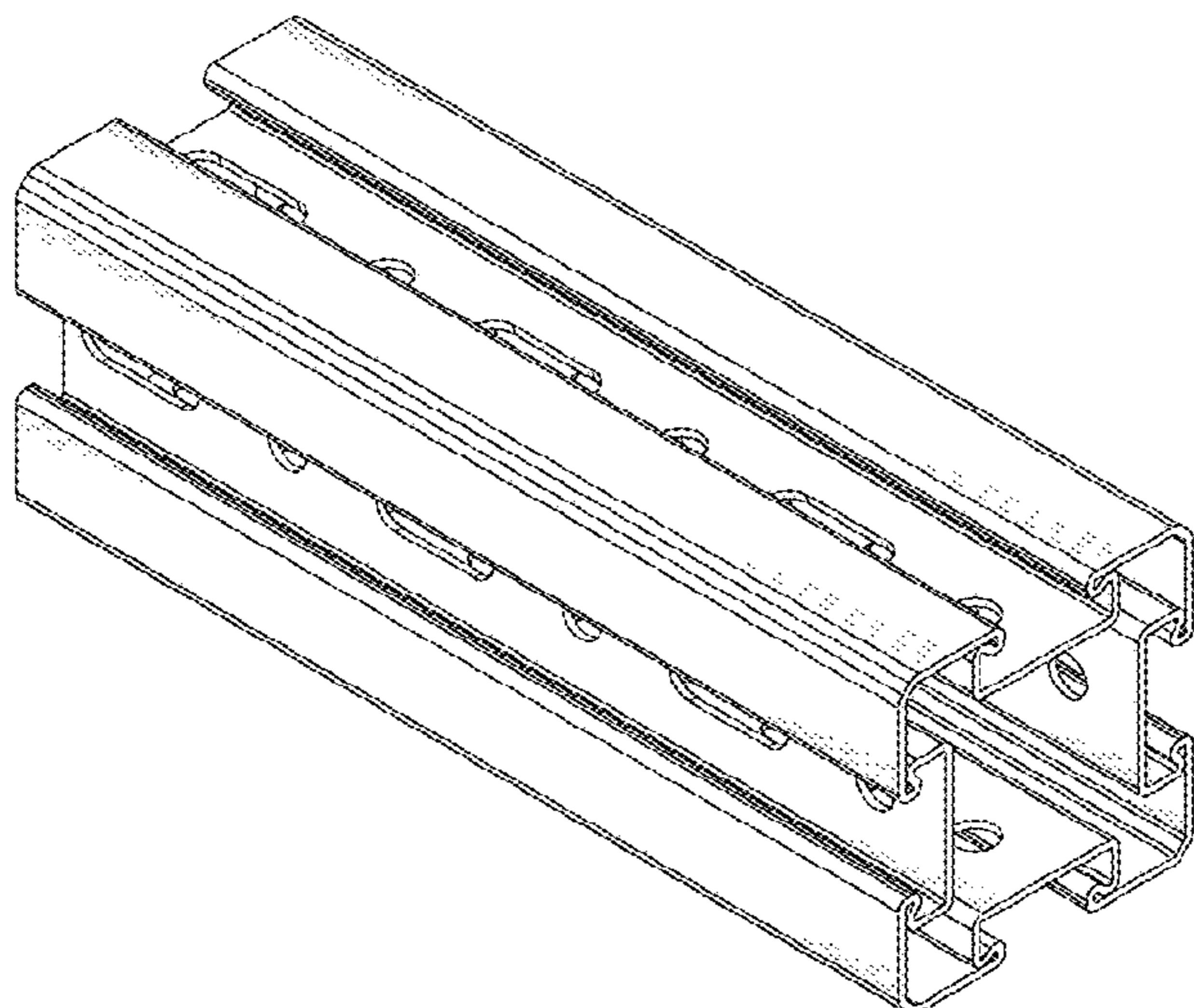
(57) **CLAIM**

The ornamental design for a beam, as shown and described.

DESCRIPTION

FIG. 1 is a perspective view of a first beam showing my new design;
FIG. 2 is a front elevational view thereof;
FIG. 3 is a back elevational view thereof;
FIG. 4 is a right side elevational view thereof;
FIG. 5 is a left side elevational view thereof;
FIG. 6 is a top view thereof;
FIG. 7 is a bottom view thereof;
FIG. 8 is a perspective view of a second beam showing my new design;
FIG. 9 is a front elevational view thereof;
FIG. 10 is a back elevational view thereof;
FIG. 11 is a right side elevational view thereof;
FIG. 12 is a left side elevational view thereof;
FIG. 13 is a top view thereof; and,
FIG. 14 is a bottom view thereof.
The ornamental design for a beam as shown and described.

1 Claim, 14 Drawing Sheets



(56)

References Cited

U.S. PATENT DOCUMENTS

D600,831	S *	9/2009	Munakata	D25/126
D611,673	S *	3/2010	Andrews	D34/35
D733,937	S *	7/2015	Hillstrom	D25/122
D735,356	S *	7/2015	Hillstrom	D25/122
D747,127	S *	1/2016	Chang	D25/120
D844,854	S *	4/2019	Lee	D25/61
2002/0185640	A1 *	12/2002	Heins	E04H 17/168
					256/65.01
2014/0123587	A1 *	5/2014	Lee	E04B 1/24
					52/655.1
2016/0138261	A1 *	5/2016	Zhang	E04B 1/40
					52/831

* cited by examiner

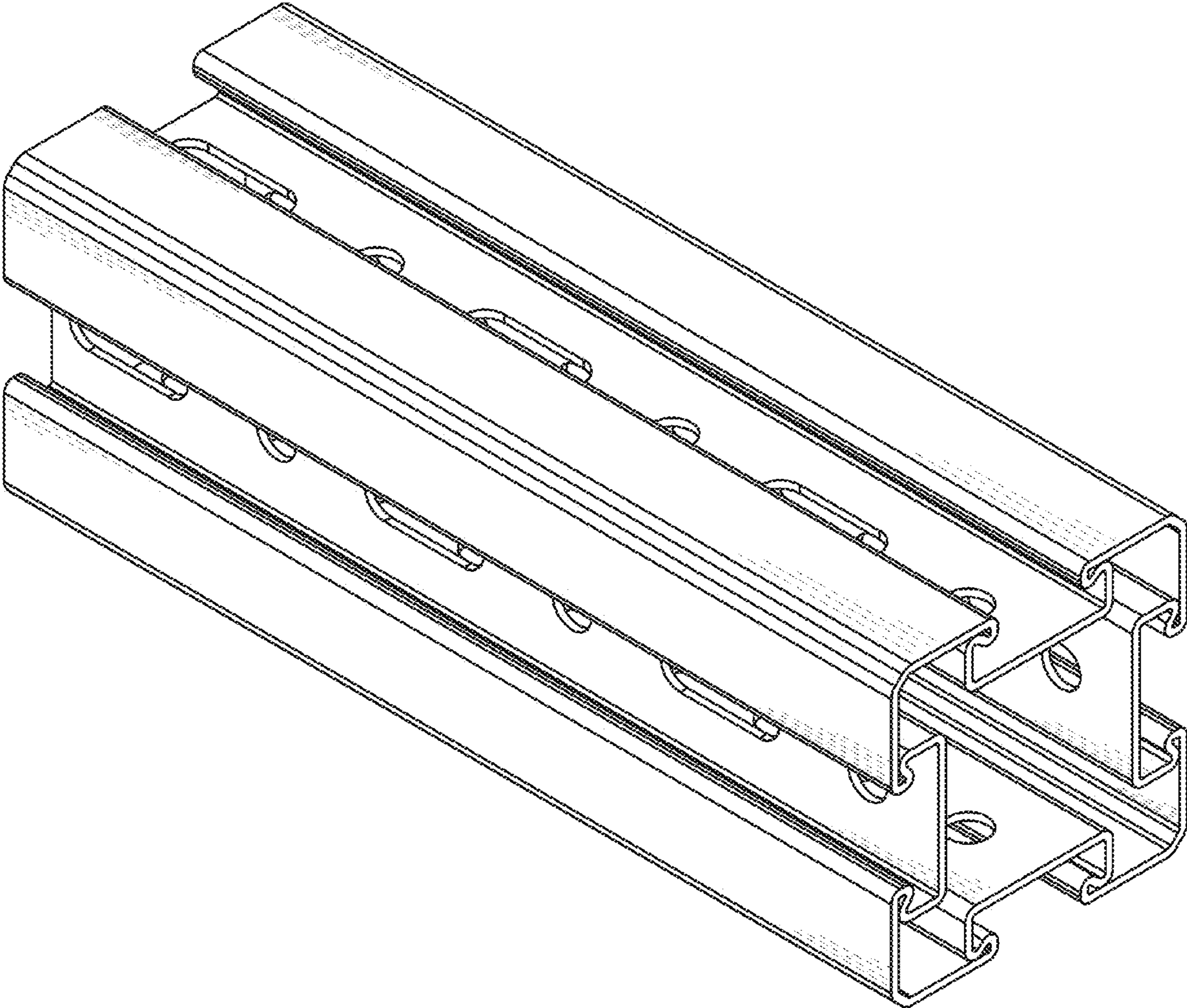


FIG. 1

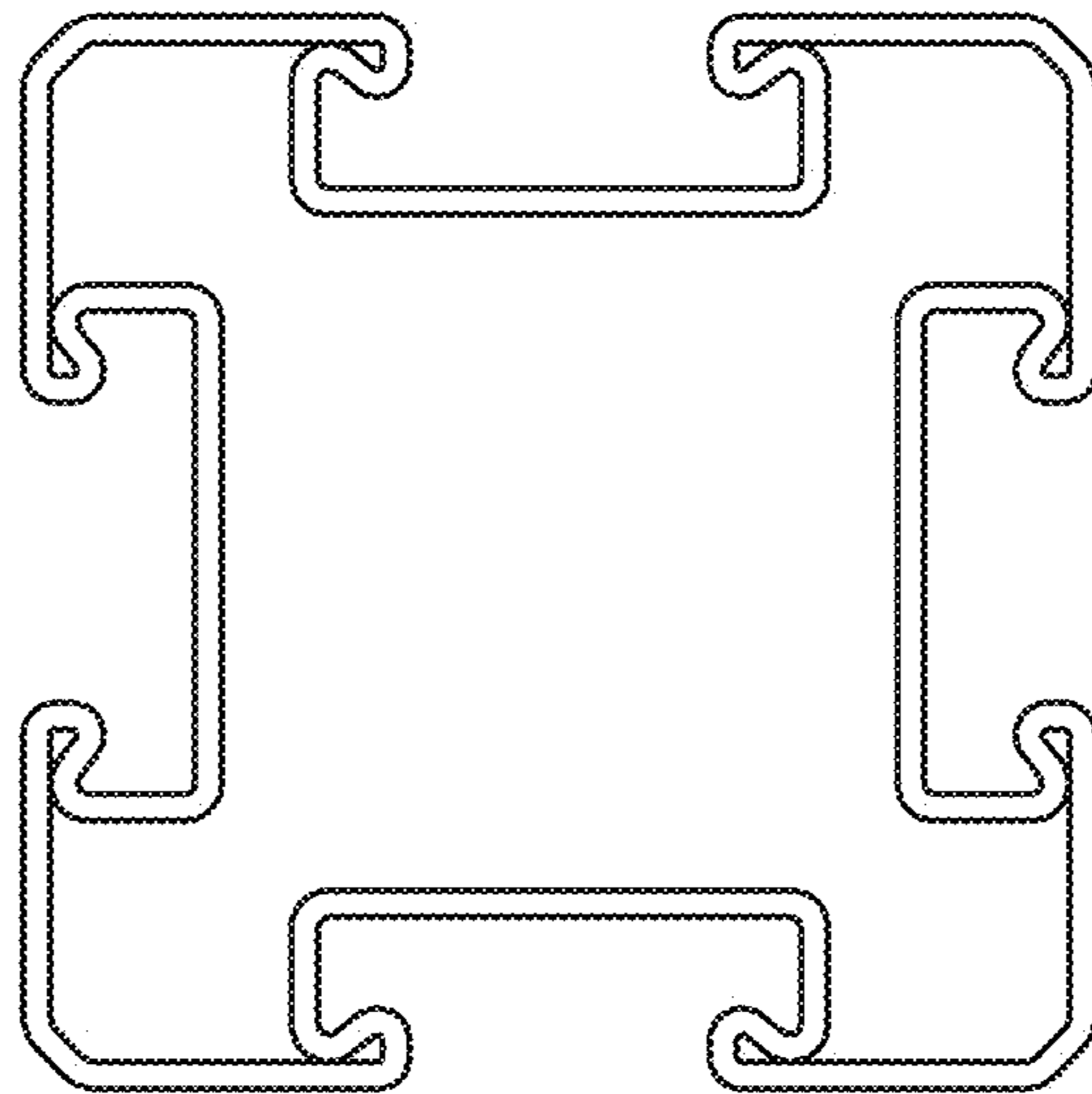


FIG.2

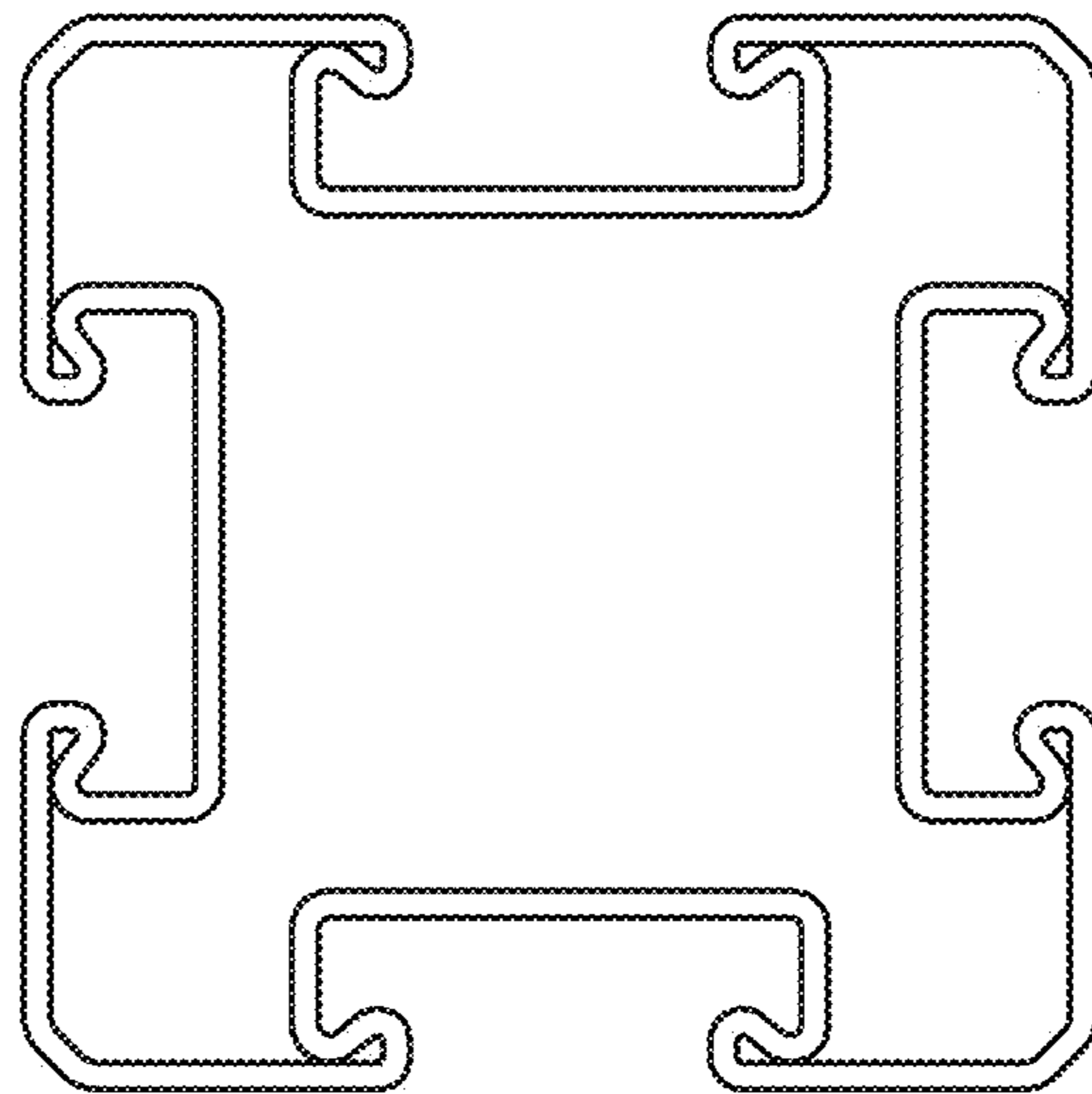


FIG.3

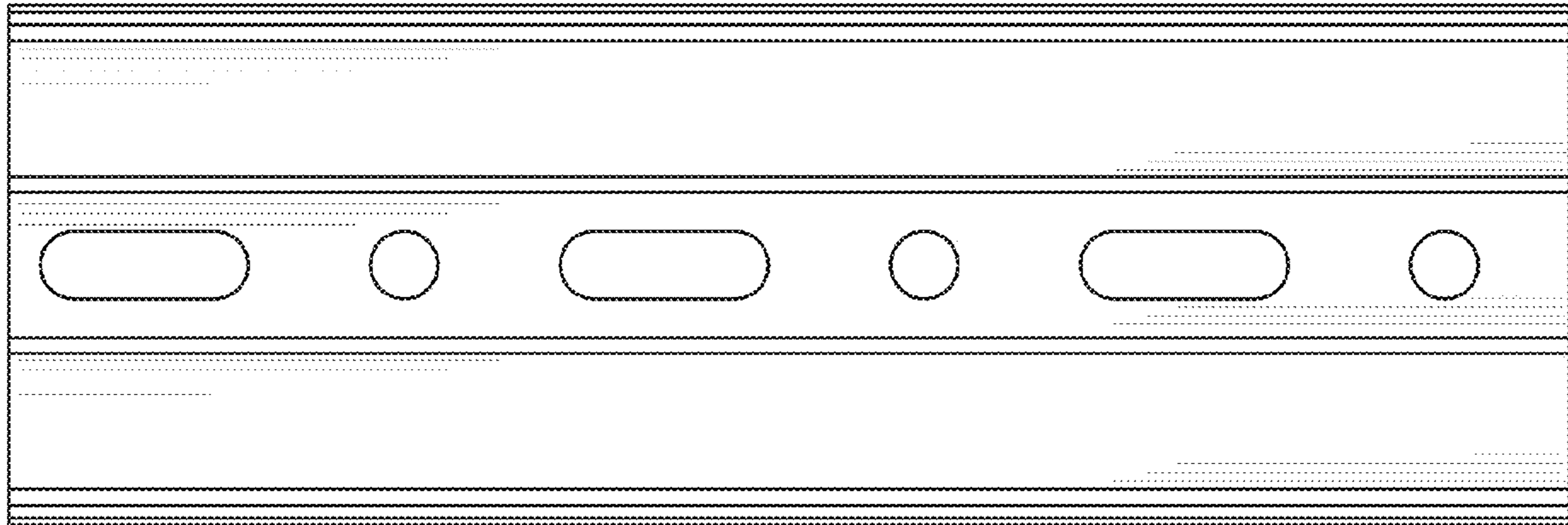


FIG.4

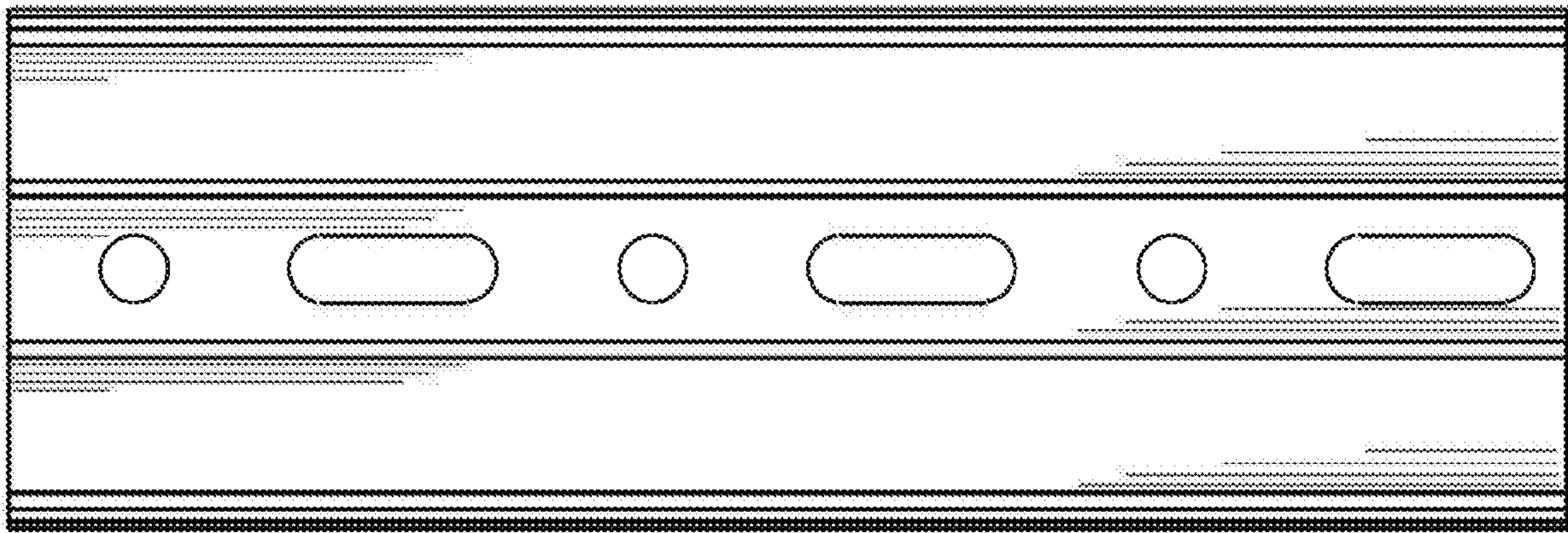


FIG. 5

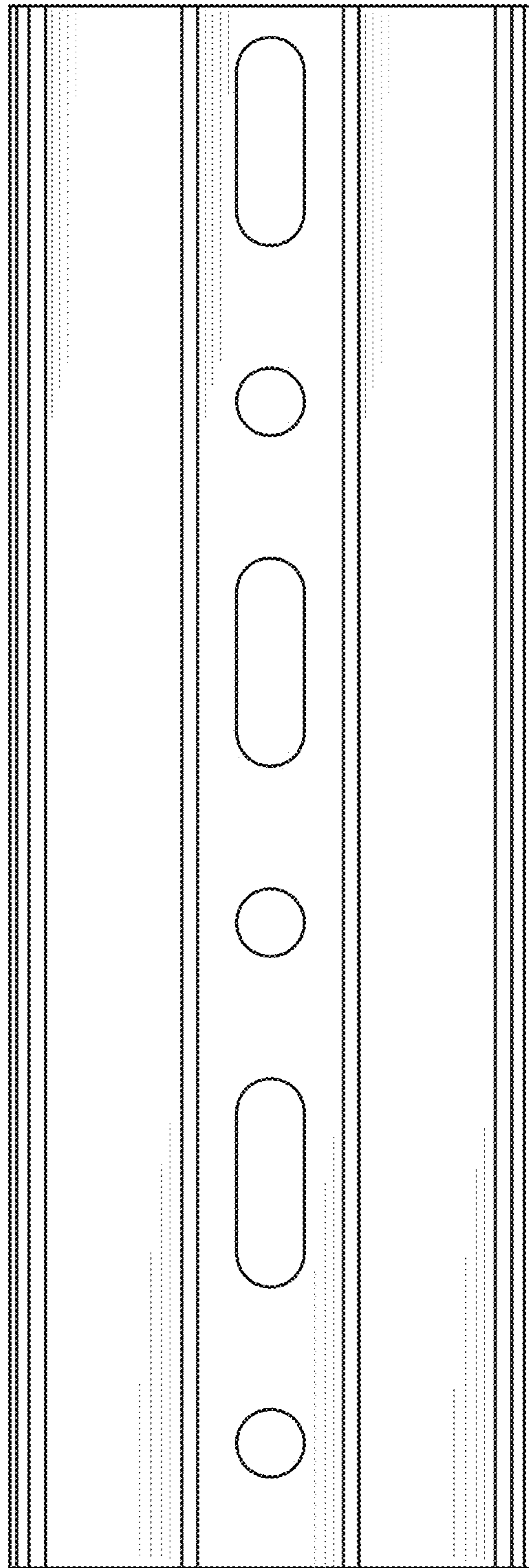


FIG.6

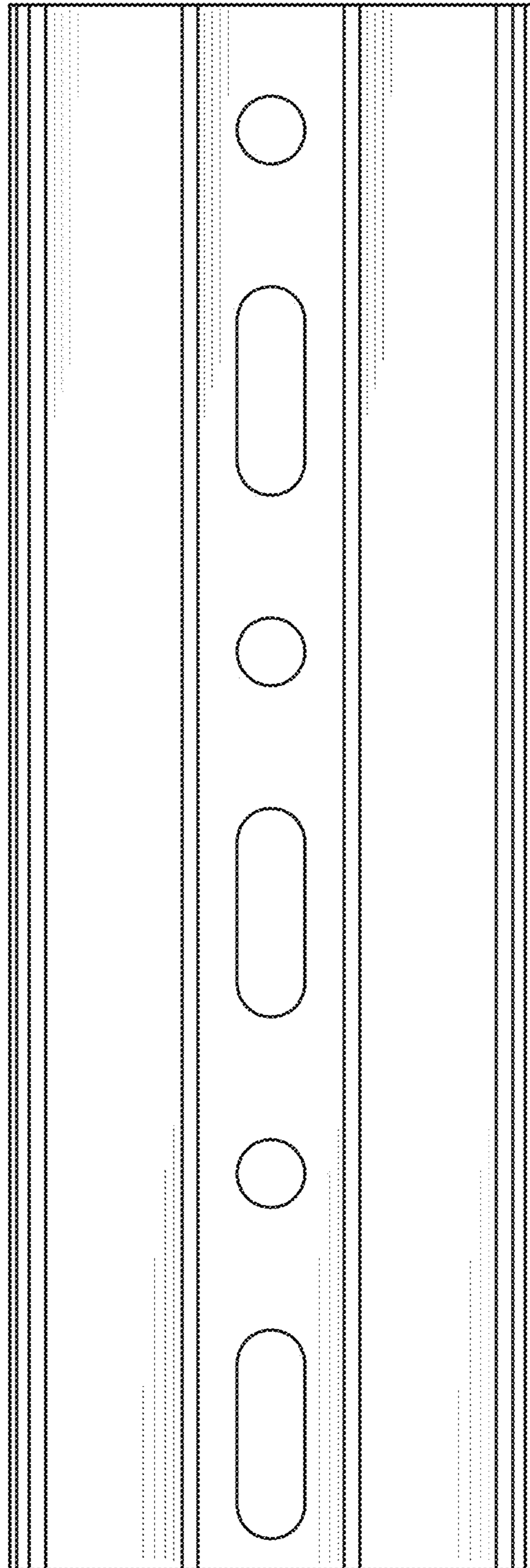


FIG. 7

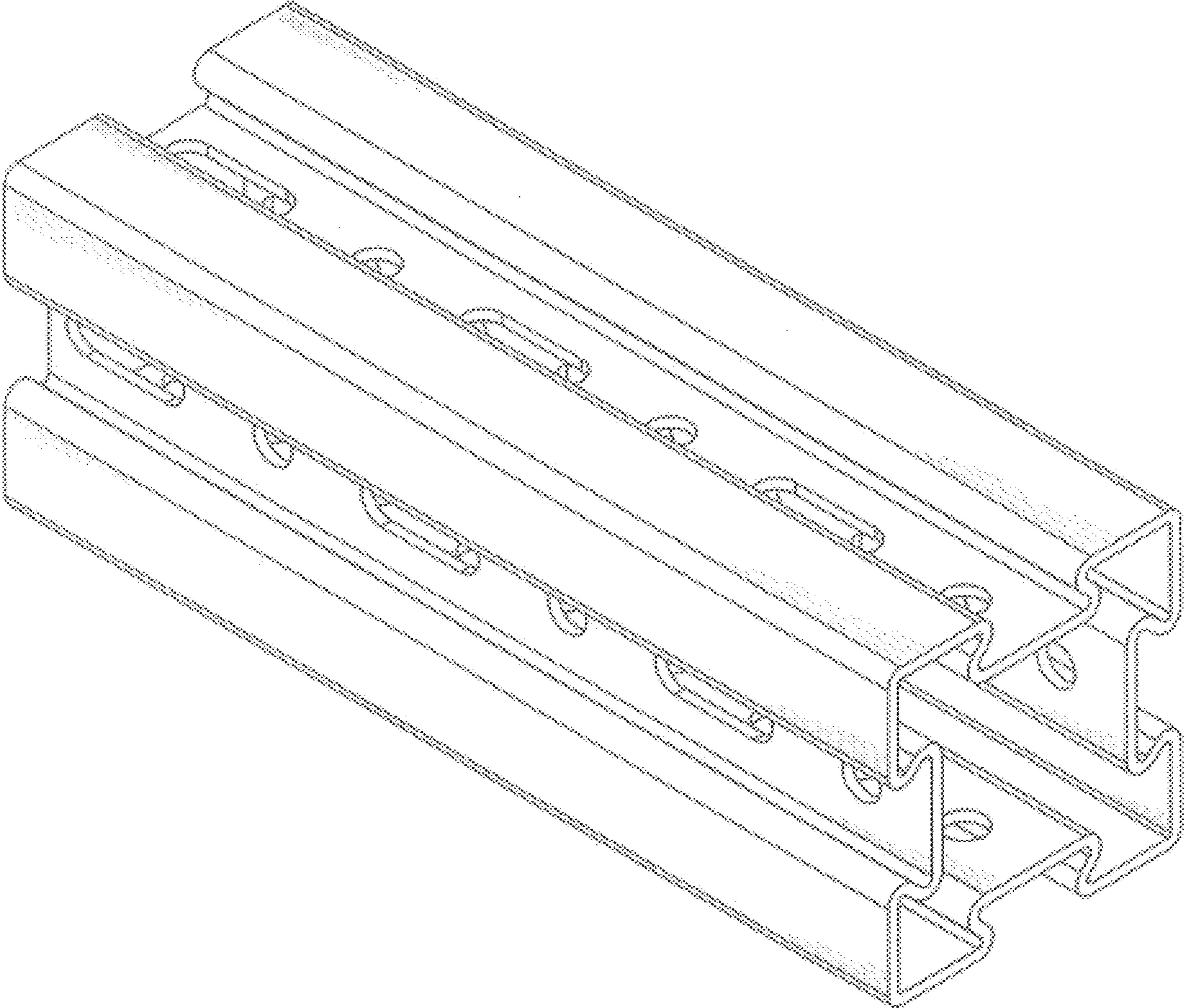


FIG. 8

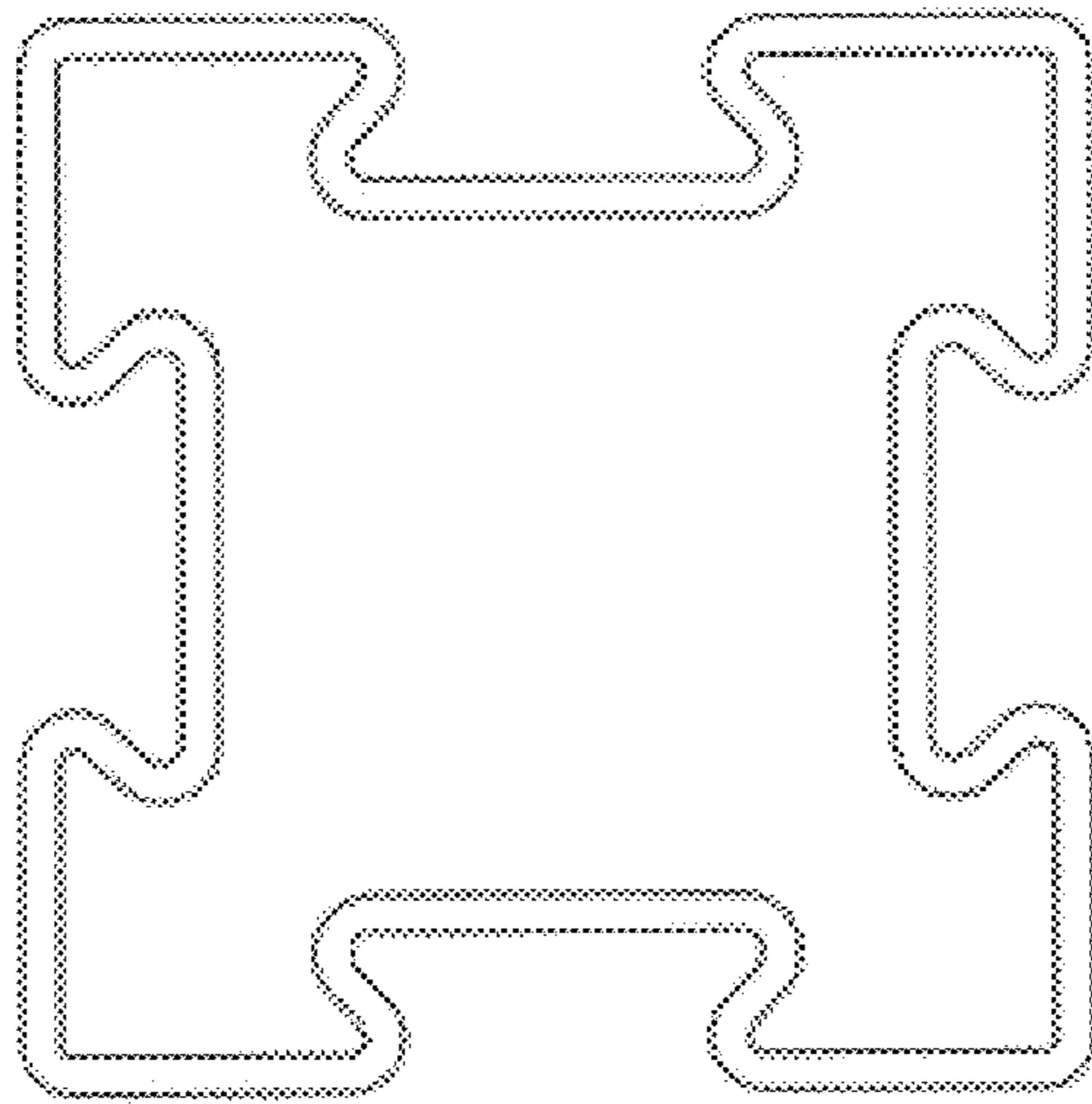


FIG. 9

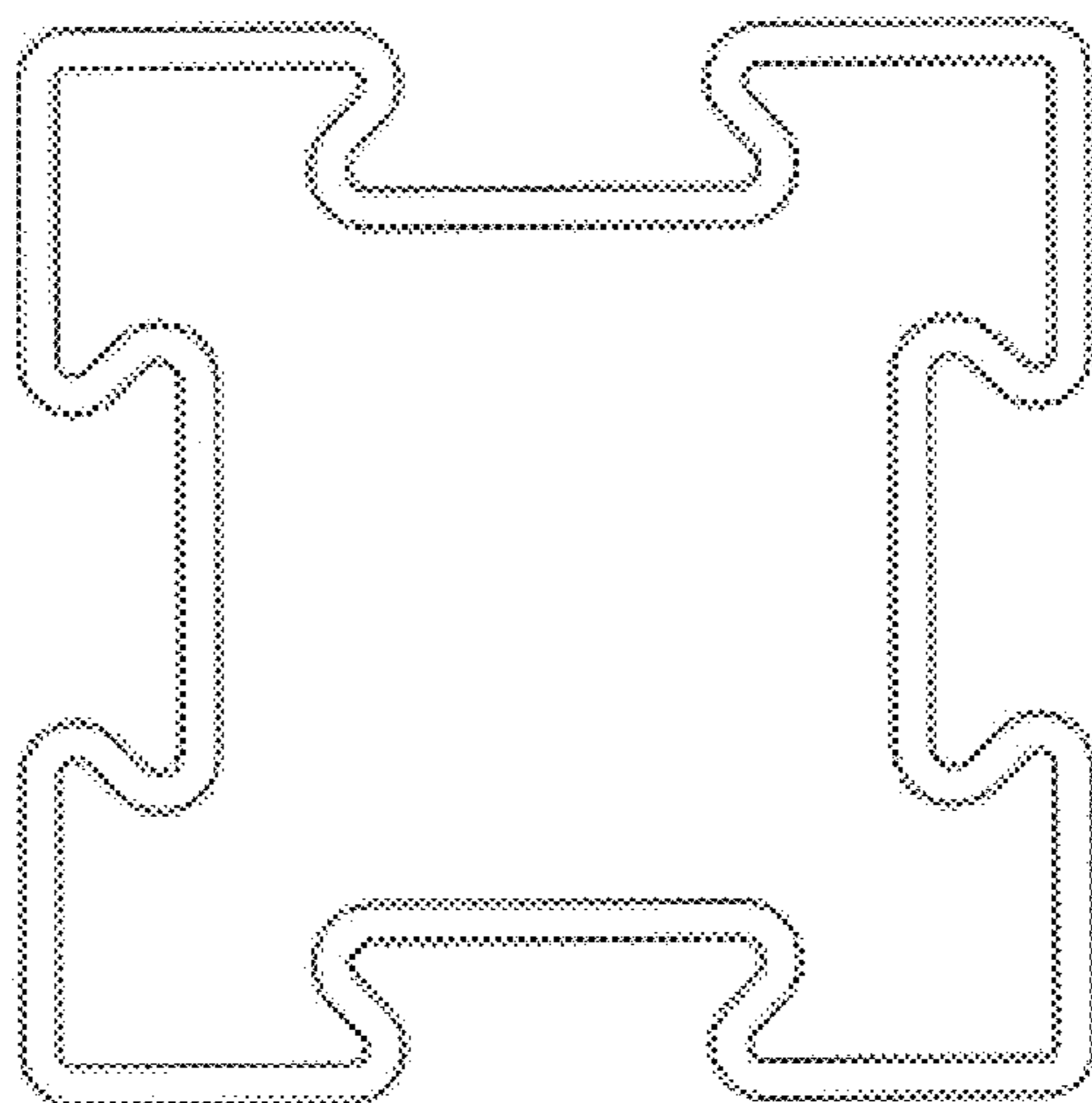


FIG. 10

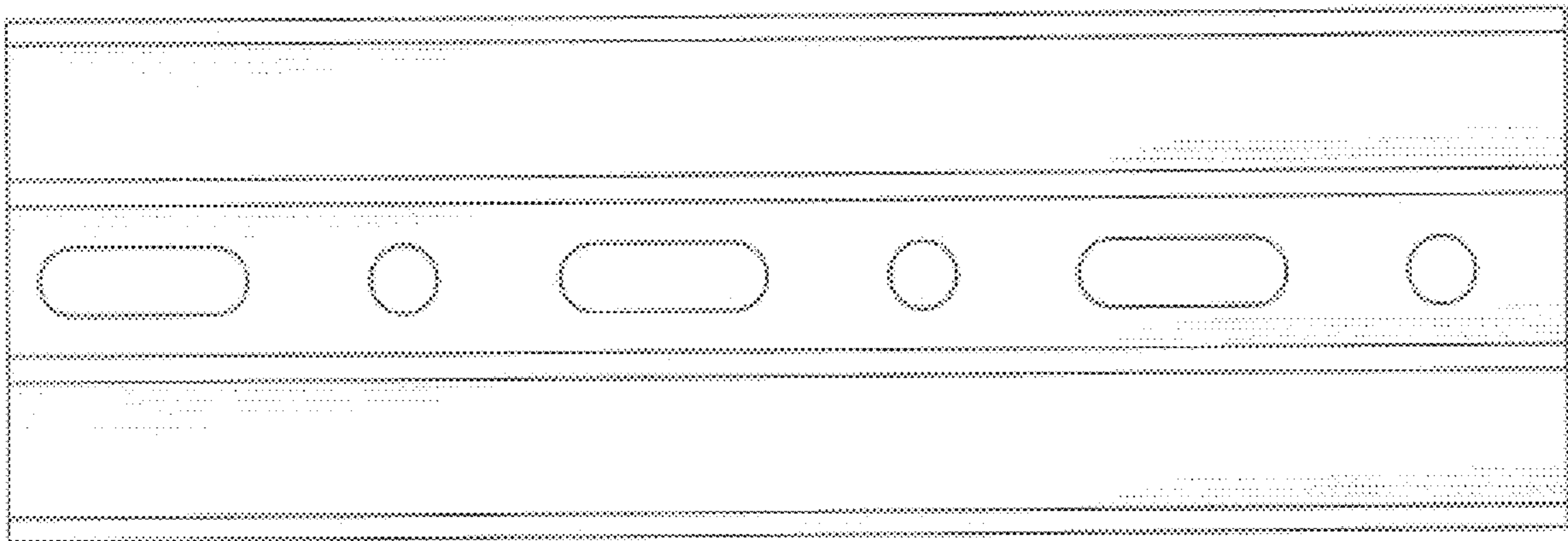


FIG. 11

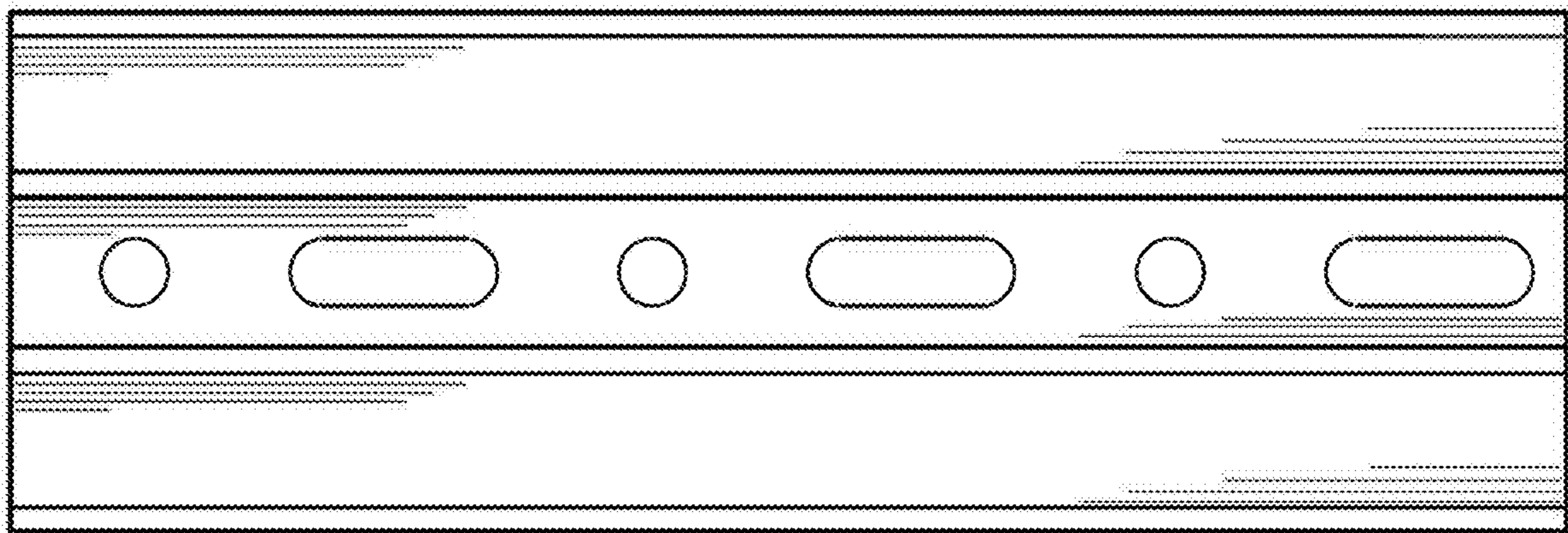


FIG. 12

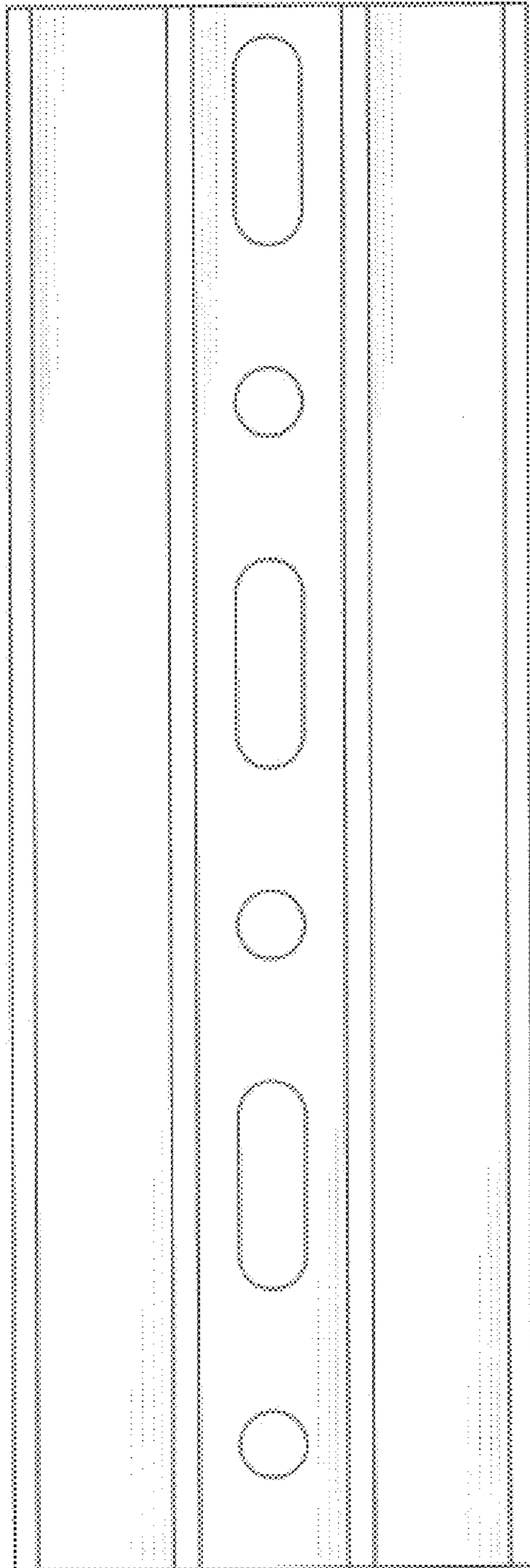


FIG. 13

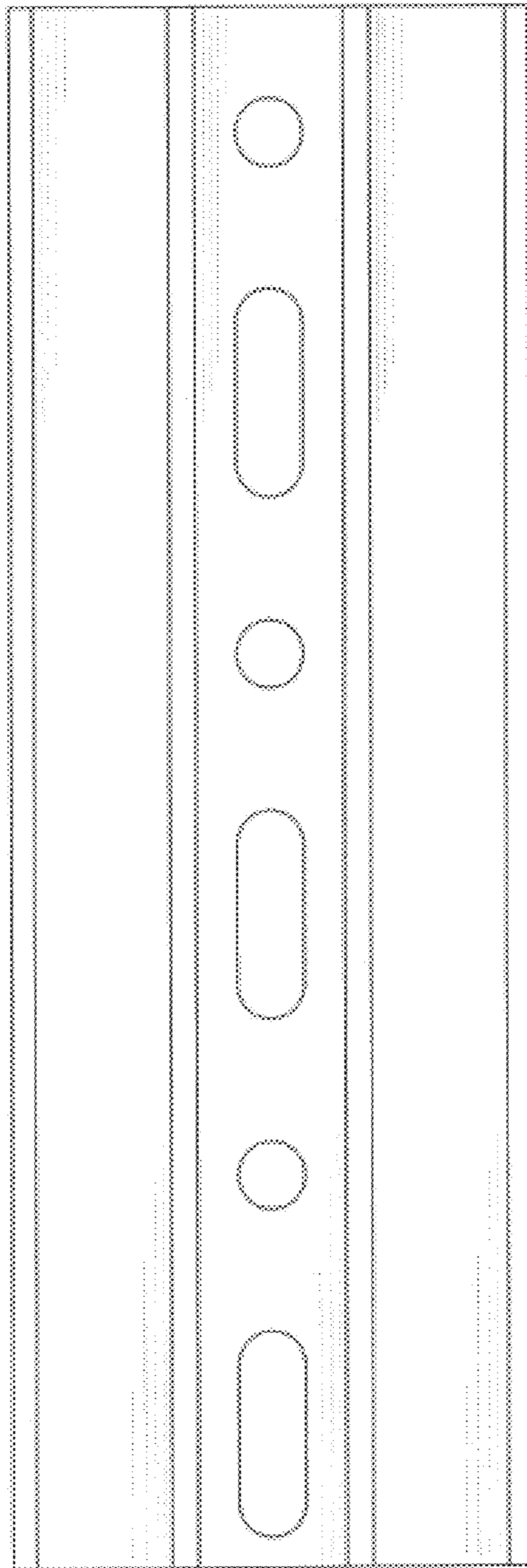


FIG. 14