



US00D881415S

(12) **United States Design Patent**
Noe

(10) **Patent No.:** **US D881,415 S**

(45) **Date of Patent:** **** Apr. 14, 2020**

(54) **SUPPORT FOR PATIO ROOFING SYSTEM**

(71) Applicant: **Renaissance Patio Products LLC**,
Doral, FL (US)

(72) Inventor: **Christopher Noe**, Doral, FL (US)

(73) Assignee: **RENAISSANCE PATIO PRODUCTS, LLC**,
Doral, FL (US)

(**) Term: **15 Years**

(21) Appl. No.: **29/643,906**

(22) Filed: **Apr. 12, 2018**

(51) **LOC (12) Cl.** **25-02**

(52) **U.S. Cl.**
USPC **D25/56**

(58) **Field of Classification Search**
USPC D25/55, 56, 61, 119-125, 126, 128, 131,
D25/132, 164
CPC . E04B 2/76; E04B 2/7863; E06B 7/00; E06B
7/08; E06B 7/12; H02G 3/0437; H02G
3/045; F16L 9/22

See application file for complete search history.

(56) **References Cited**

U.S. PATENT DOCUMENTS

742,549 A * 10/1903 Zeh 29/897.35
799,320 A * 9/1905 Franks F16L 9/22
138/154

1,129,040 A * 2/1915 McClure F16L 59/022
138/156
2,186,297 A * 1/1940 Hunnebeck E04B 7/00
52/18
3,761,603 A * 9/1973 Hays H02G 3/0437
174/101
5,655,335 A * 8/1997 Vermeer A01G 9/14
52/66
D473,661 S * 4/2003 Kim D25/122
D521,656 S * 5/2006 Terrels D25/122

* cited by examiner

Primary Examiner — Leanne Was-Englehart

(74) *Attorney, Agent, or Firm* — Mark Terry

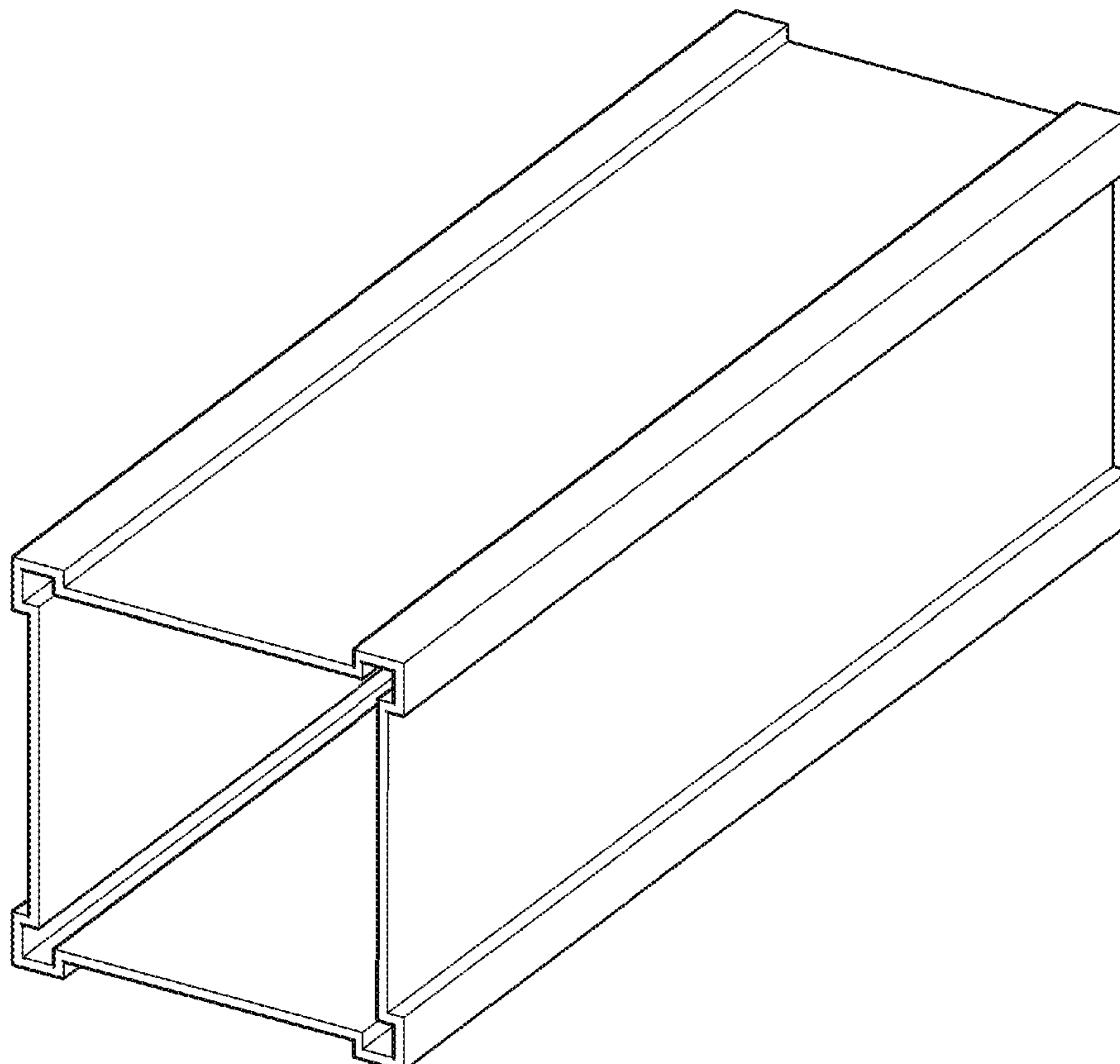
(57) **CLAIM**

The ornamental design for a support for patio roofing system, as shown and described.

DESCRIPTION

FIG. 1 is a bottom perspective view of a support for patio roofing system, showing the new design; FIG. 2 is a top perspective view thereof; FIG. 3 is a side view thereof; FIG. 4 is a front view thereof; and, FIG. 5 is a front perspective view thereof.

1 Claim, 5 Drawing Sheets



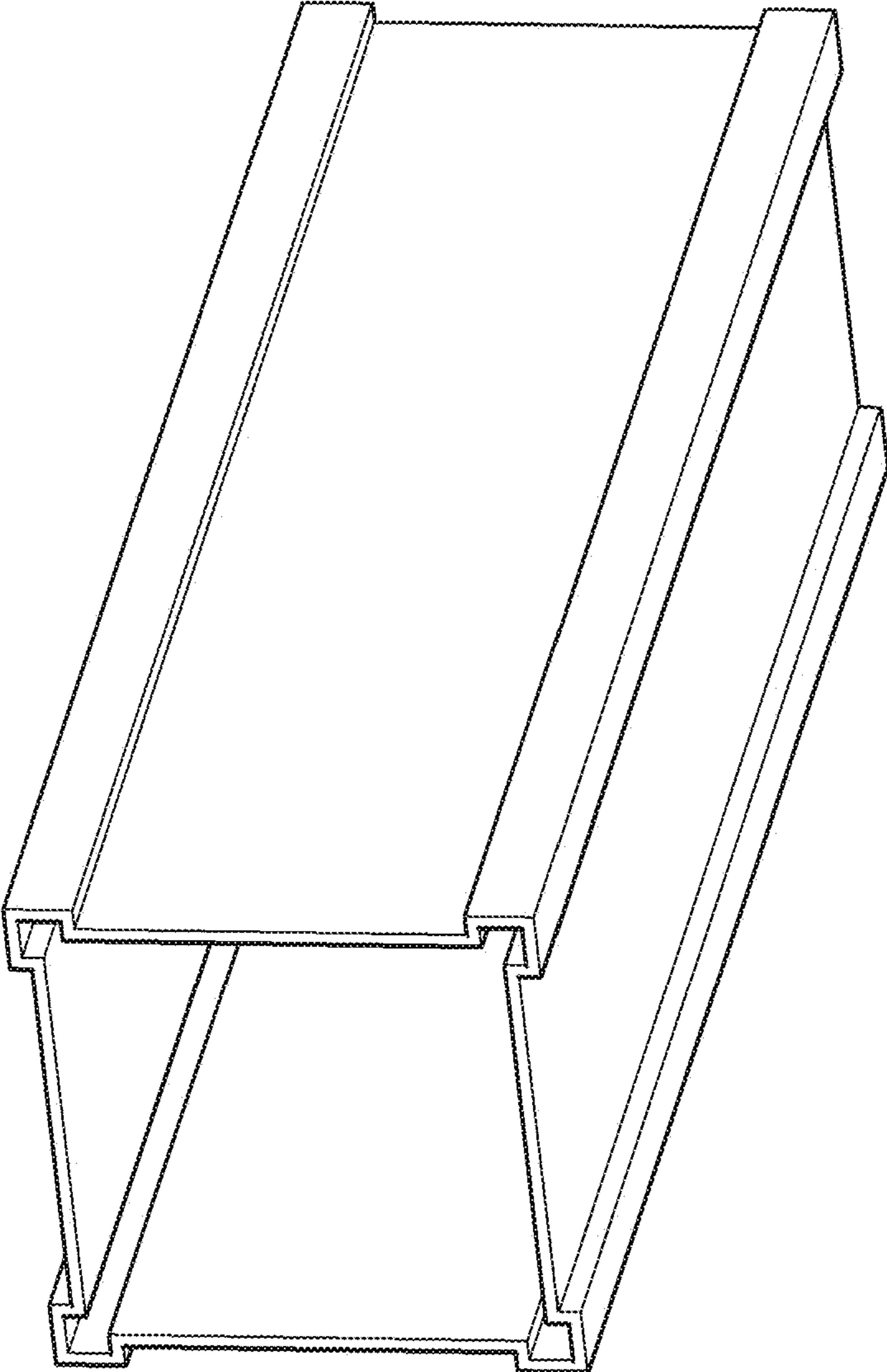


FIG. 1

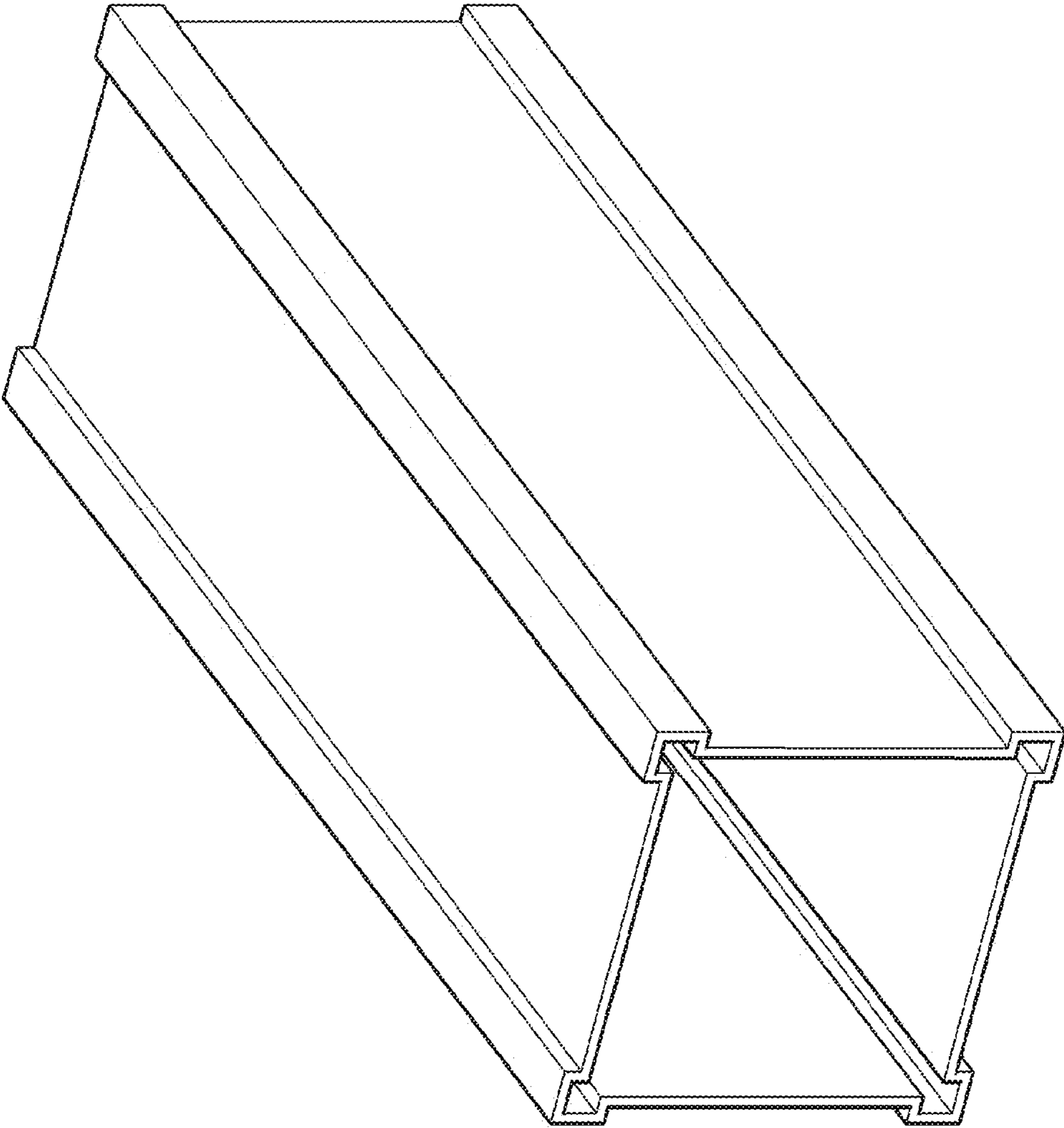


FIG. 2

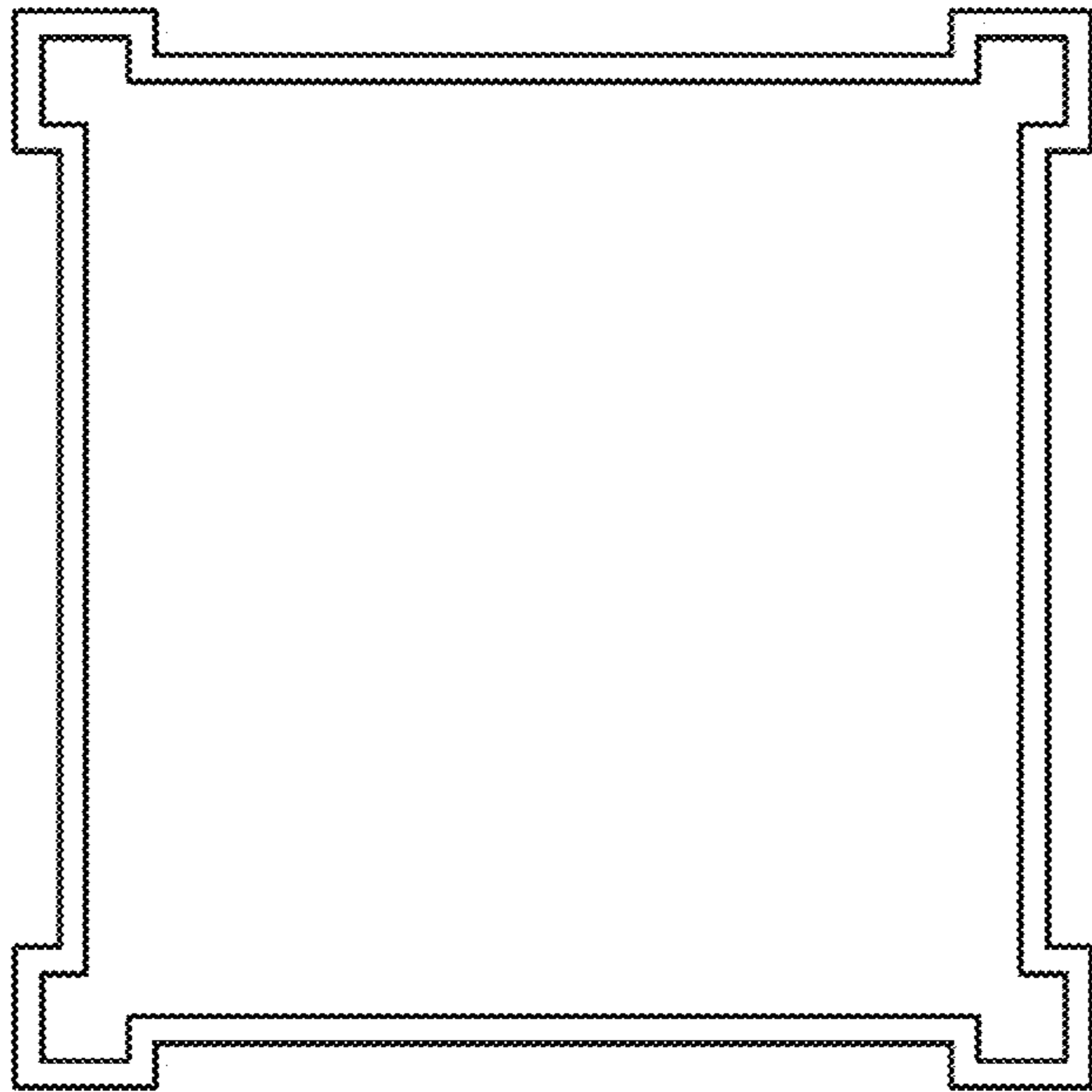


FIG. 3

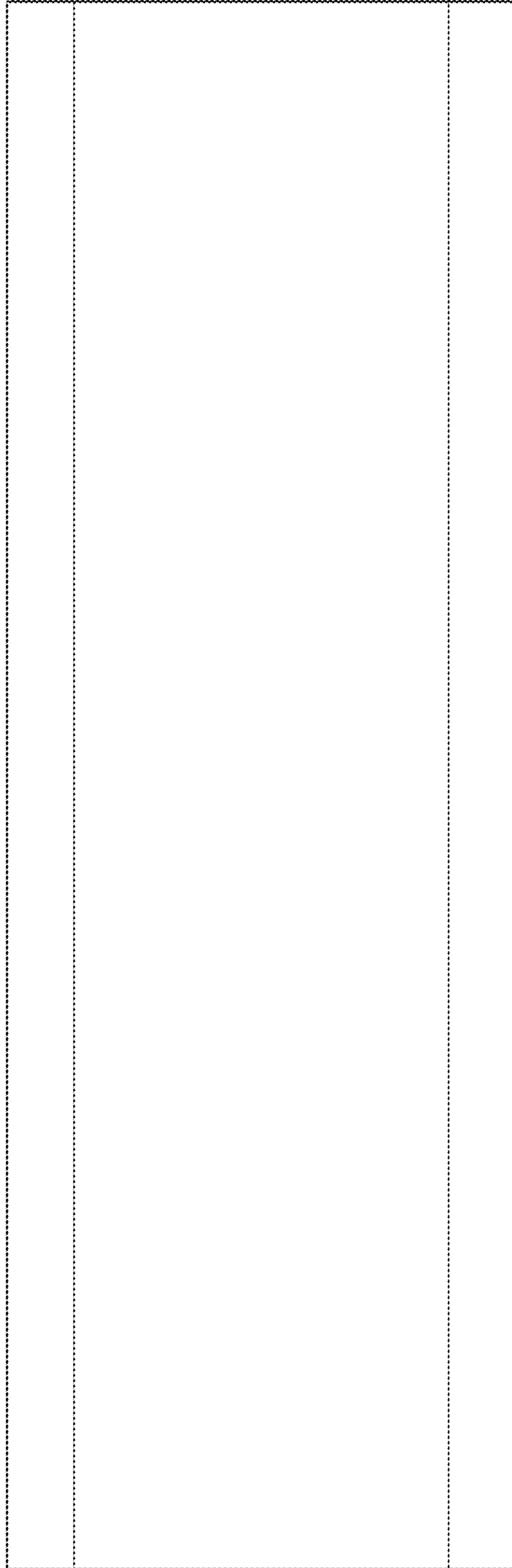


FIG. 4

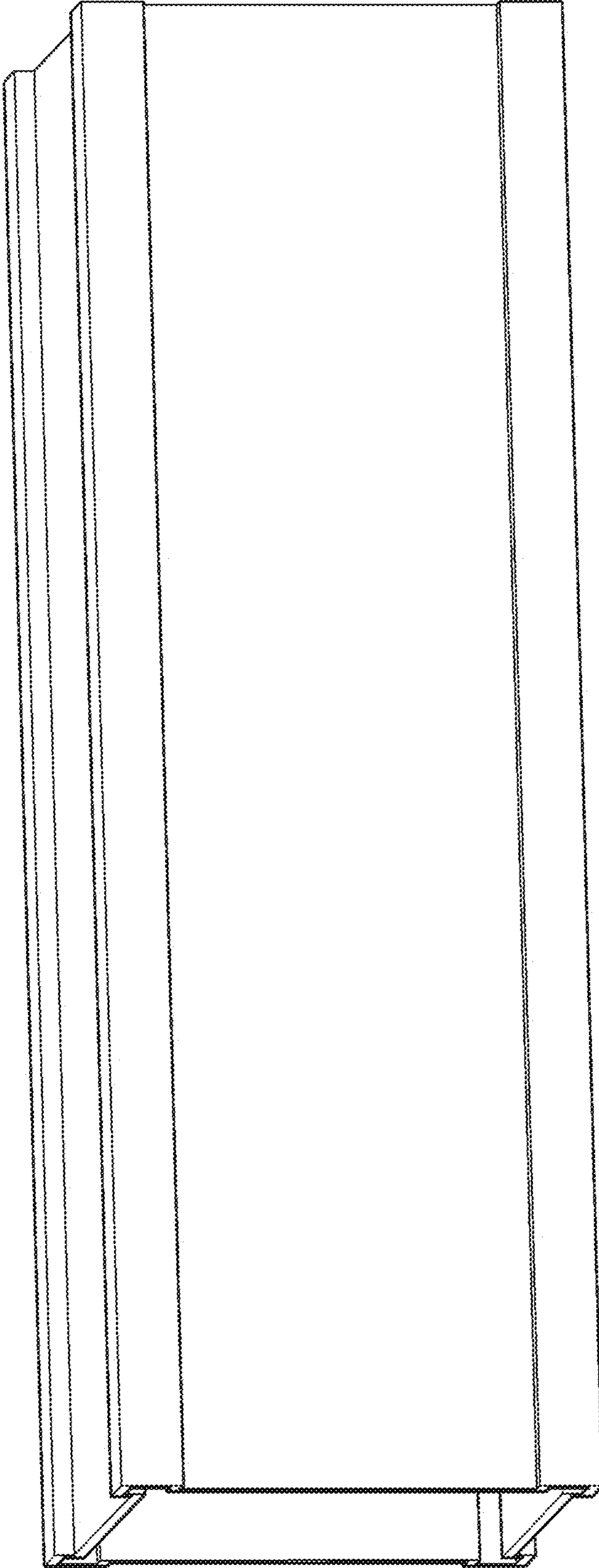


FIG. 5