



US00D881414S

(12) **United States Design Patent**
Noe

(10) **Patent No.:** **US D881,414 S**

(45) **Date of Patent:** **** Apr. 14, 2020**

(54) **SUPPORT FOR PATIO ROOFING SYSTEM**

(71) Applicant: **Renaissance Patio Products LLC**,
Doral, FL (US)

(72) Inventor: **Christopher Noe**, Doral, FL (US)

(73) Assignee: **Renaissance Patio Products LLC**,
Doral, FL (US)

(**) Term: **15 Years**

(21) Appl. No.: **29/643,899**

(22) Filed: **Apr. 12, 2018**

(51) **LOC (12) Cl.** **25-02**

(52) **U.S. Cl.**
USPC **D25/56**

(58) **Field of Classification Search**
USPC D25/55, 56, 61, 119-125, 126, 128, 131,
D25/132, 164
CPC . E04B 2/76; E04B 2/7863; E06B 7/00; E06B
7/08; E06B 7/12; H02G 3/0437; H02G
3/045; F16L 9/22

See application file for complete search history.

(56) **References Cited**

U.S. PATENT DOCUMENTS

2,186,297	A *	1/1940	Hunnebeck	E04B 7/00 52/18
5,655,335	A *	8/1997	Vermeer	A01G 9/14 52/66
D790,730	S *	6/2017	Prado Perez	D25/58
D850,657	S *	6/2019	Luvison	D25/123

OTHER PUBLICATIONS

Alyspan Structural Aluminium Beam Catalog <https://2ecffd01e1ab3e9383f0-07db7b9624bbdf022e3b5395236d5cf8.ssl.cf4.rackcdn.com/Product/e00d5b11-b816-46db-b566-737963086db1.pdf> Feb. 4, 2016 (Year: 2016).*

Renaissance Patio Products Designs & Installations <https://www.renaissancepatio.com/> Jun. 28, 2019 (Year: 2019).*

* cited by examiner

Primary Examiner — Leanne Was-Englehart

(74) *Attorney, Agent, or Firm* — Mark Terry

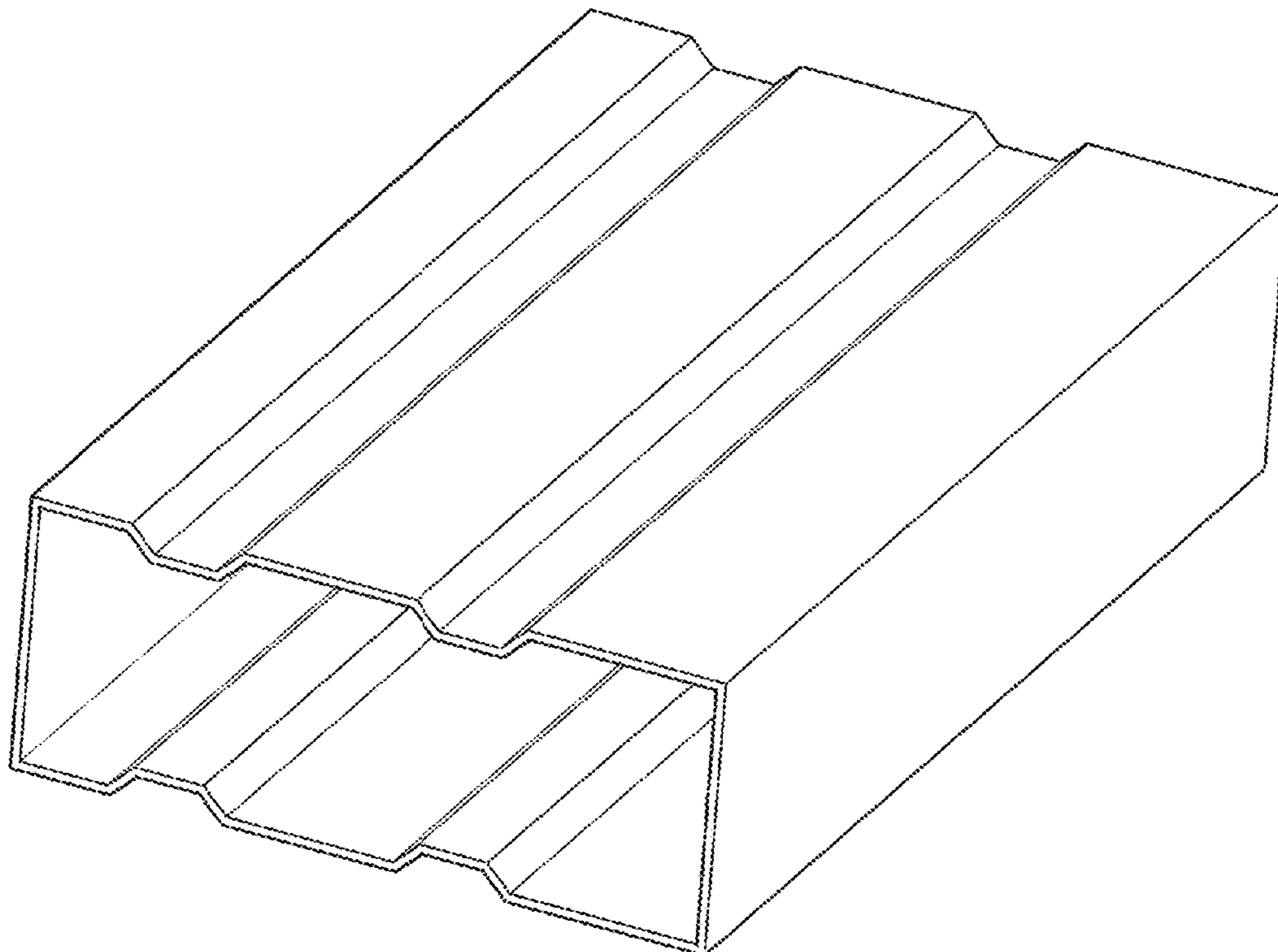
(57) **CLAIM**

The ornamental design for a support for patio roofing system, as shown and described.

DESCRIPTION

FIG. 1 is a top perspective view of a support for patio roofing system, showing the new design;
FIG. 2 is a front perspective view thereof;
FIG. 3 is a right side view thereof;
FIG. 4 is a front view thereof;
FIG. 5 is a left side view thereof;
FIG. 6 is a top view thereof; and,
FIG. 7 is a bottom view thereof.

1 Claim, 7 Drawing Sheets



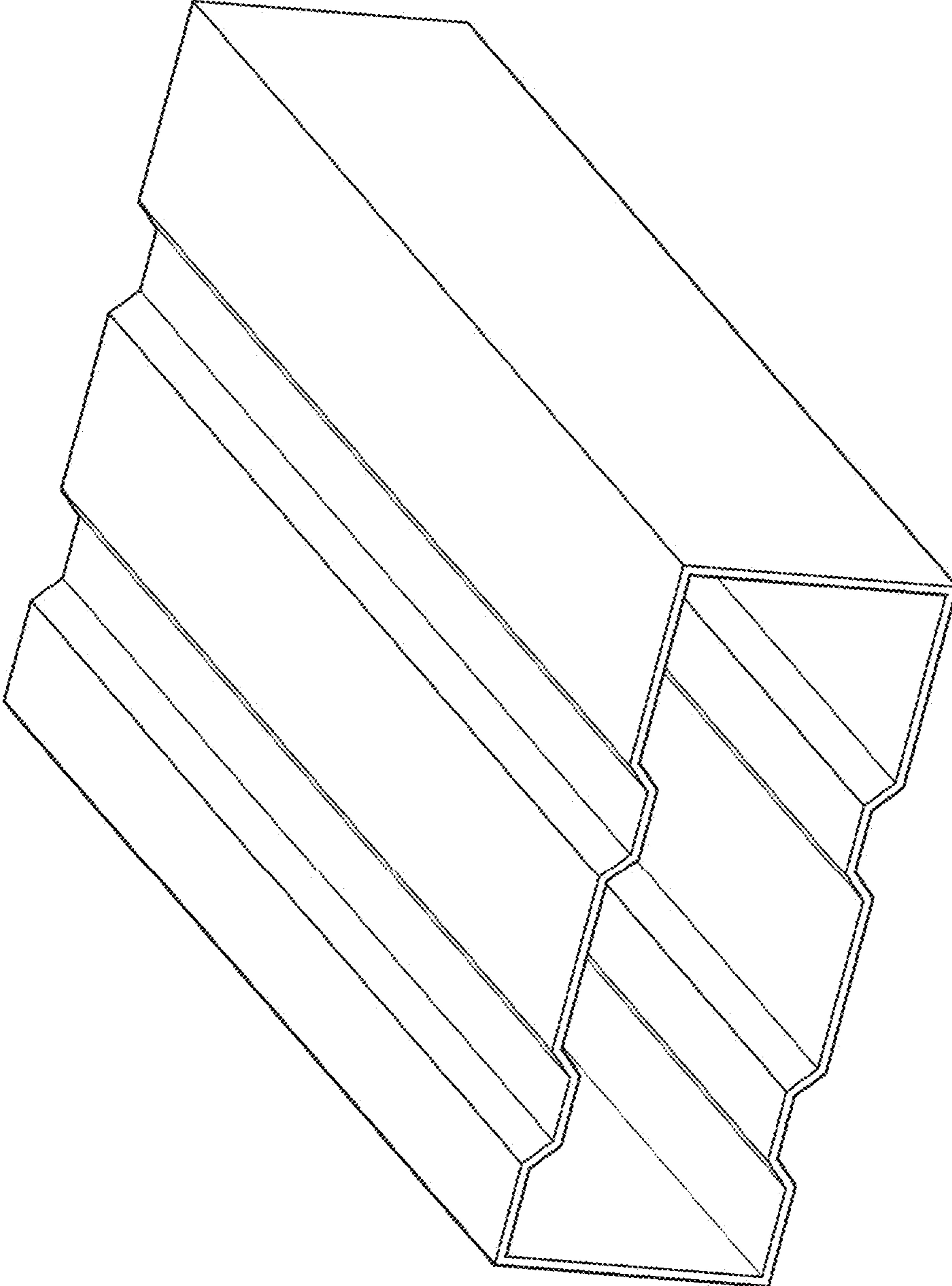


FIG. 1

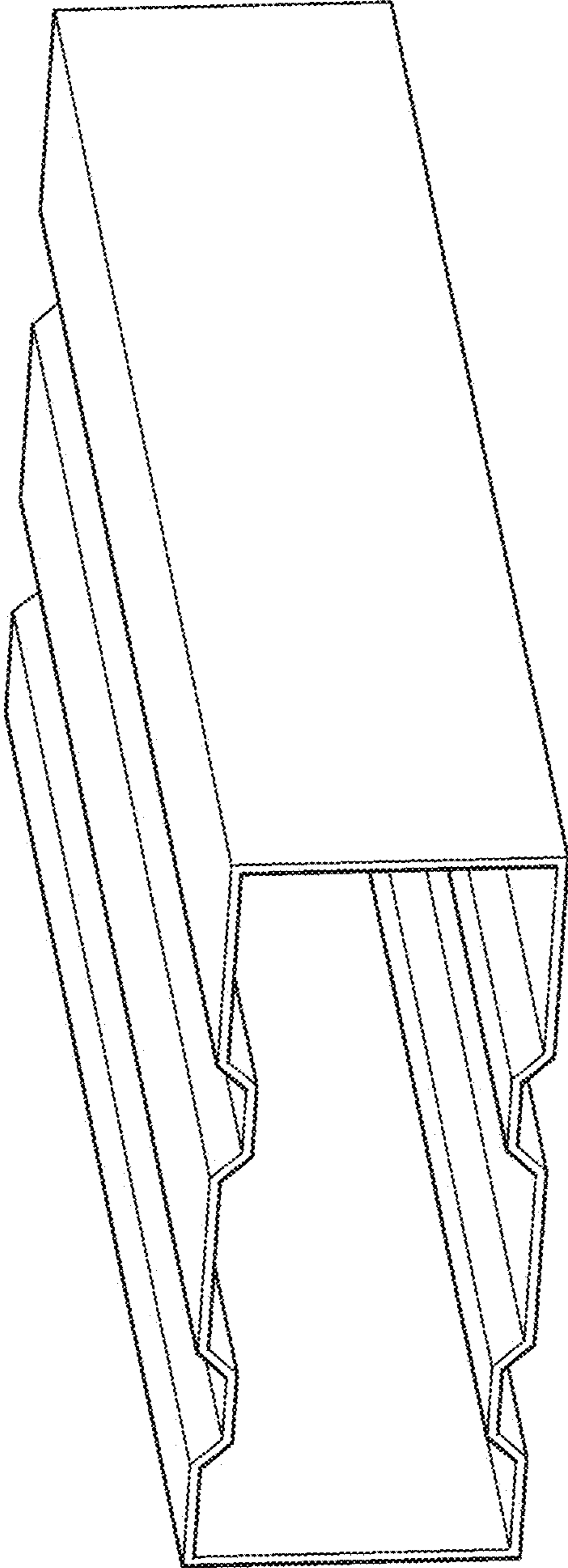


FIG. 2

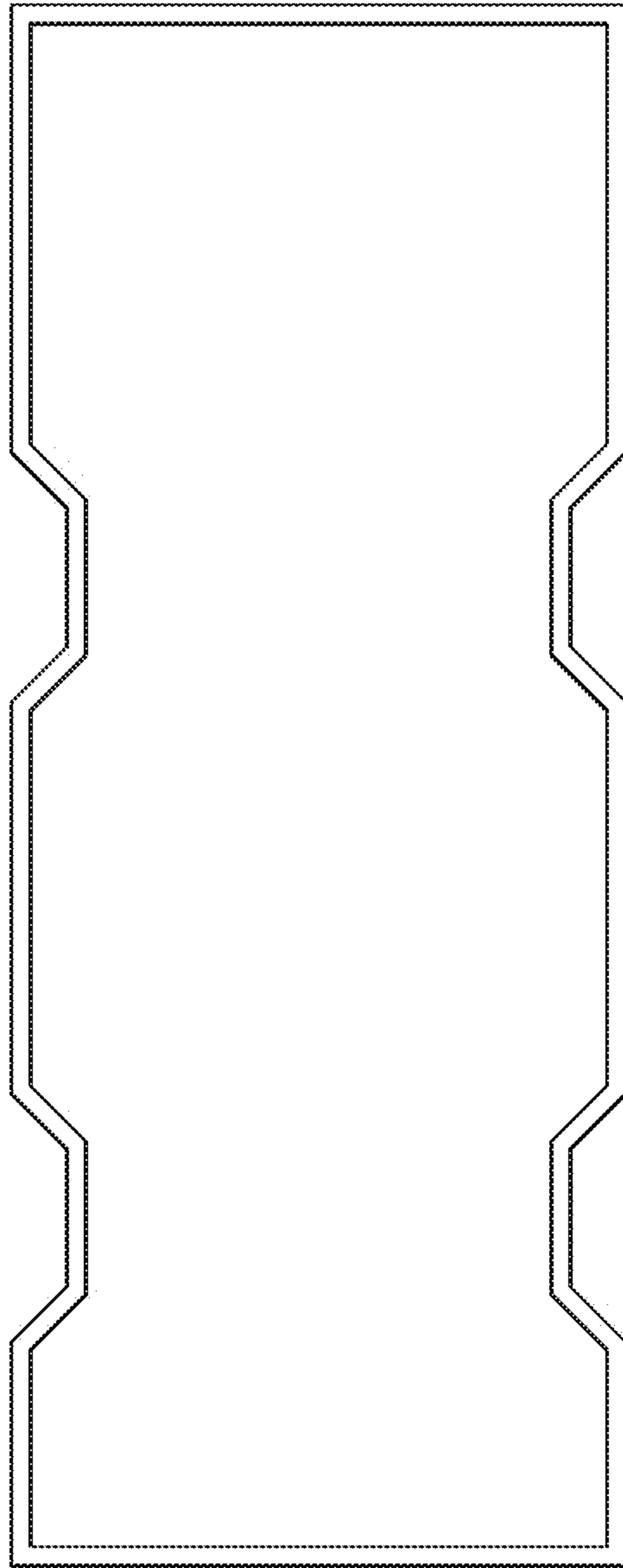


FIG. 3

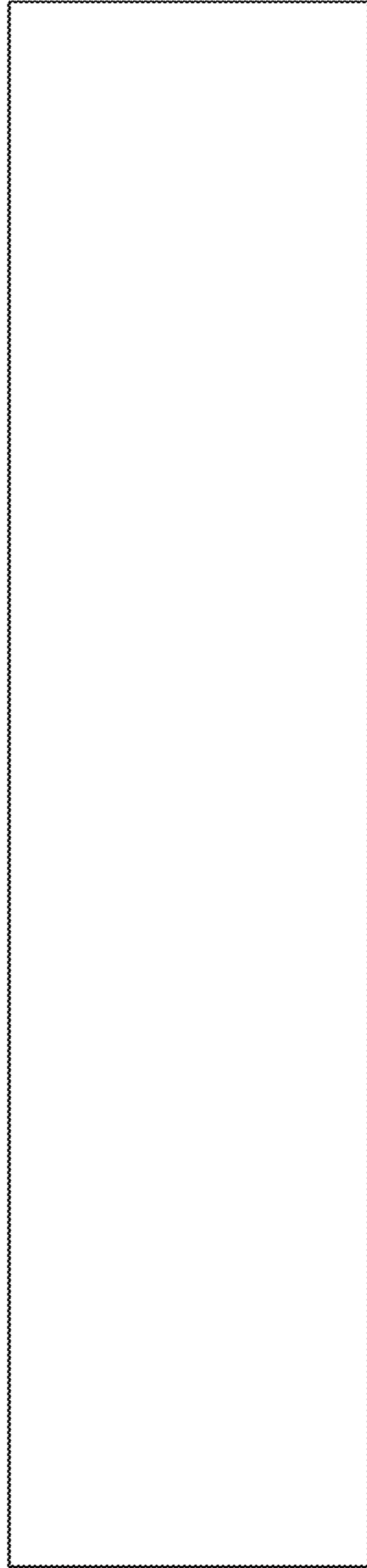


FIG. 4

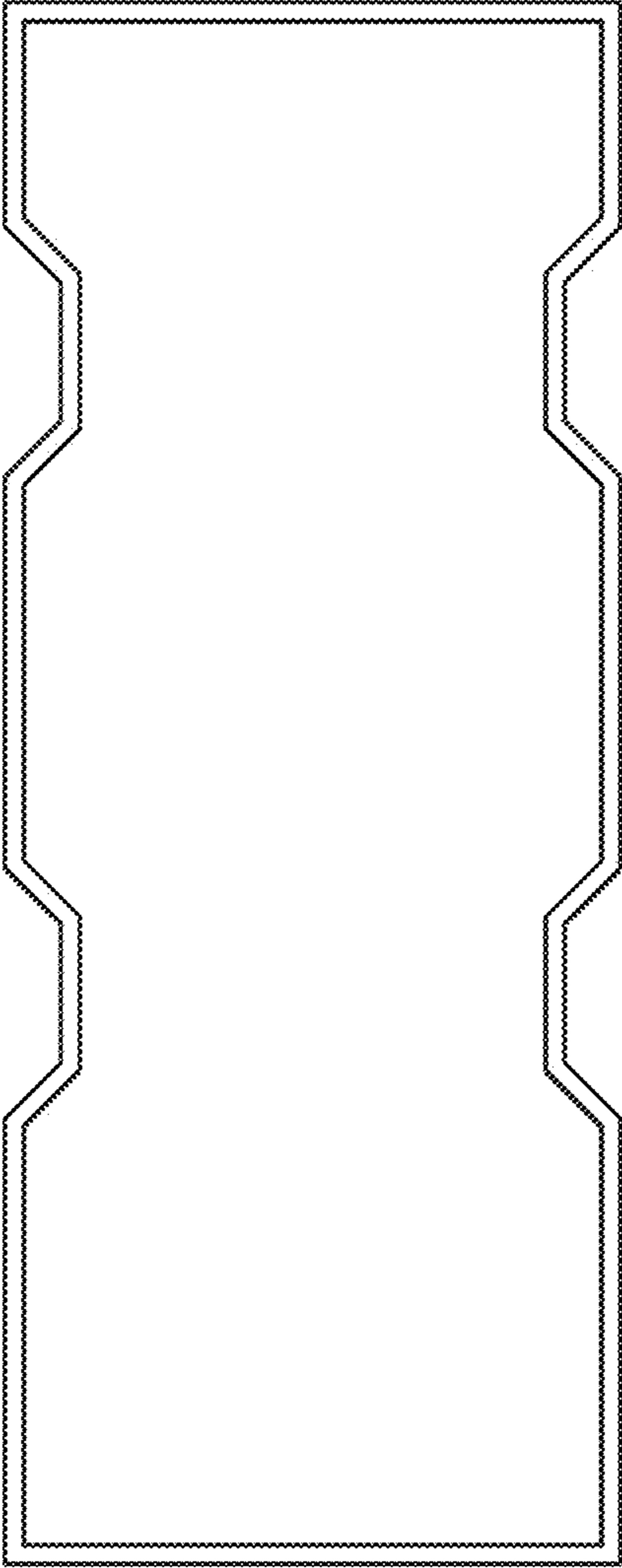


FIG. 5

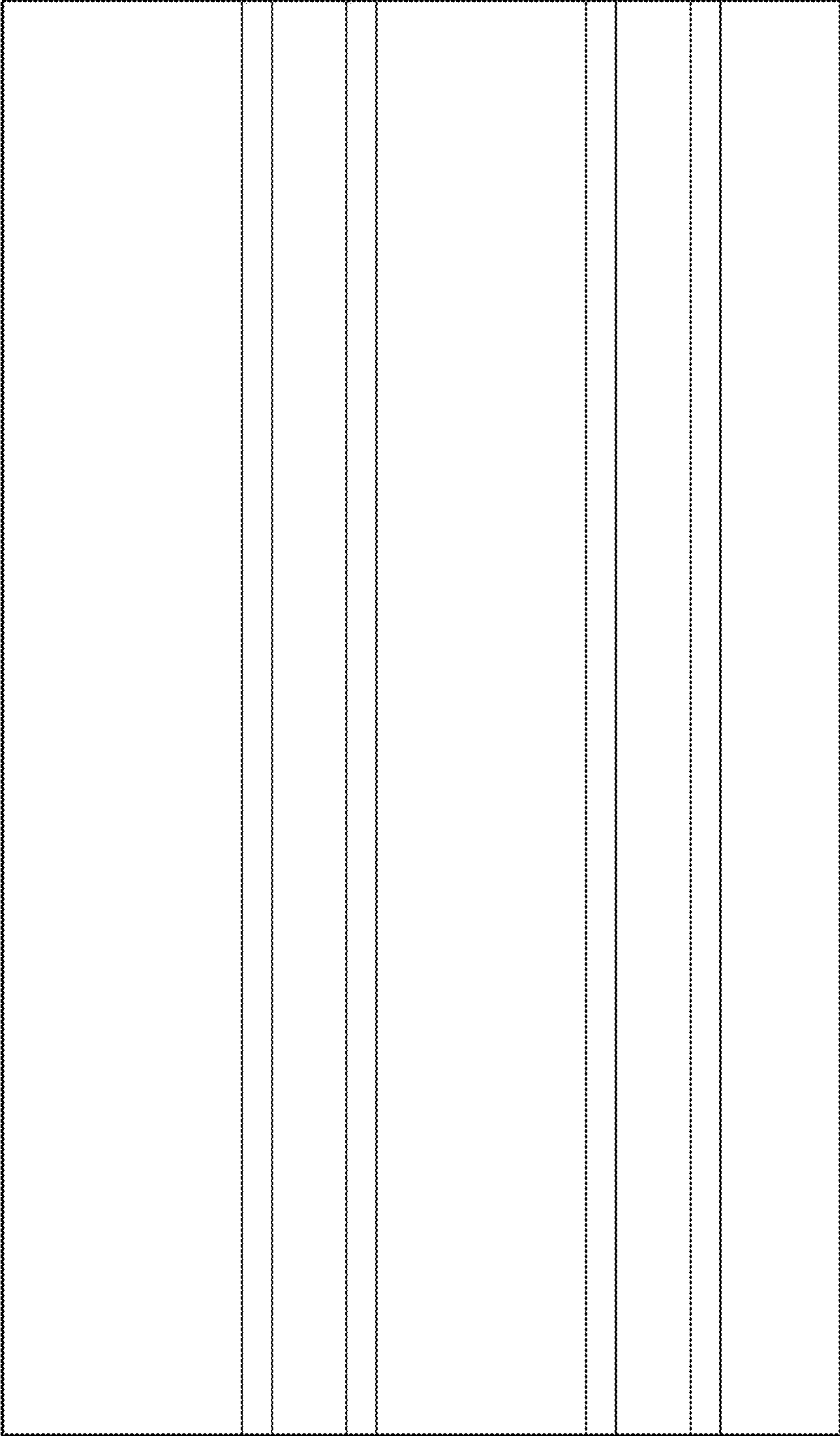


FIG. 6

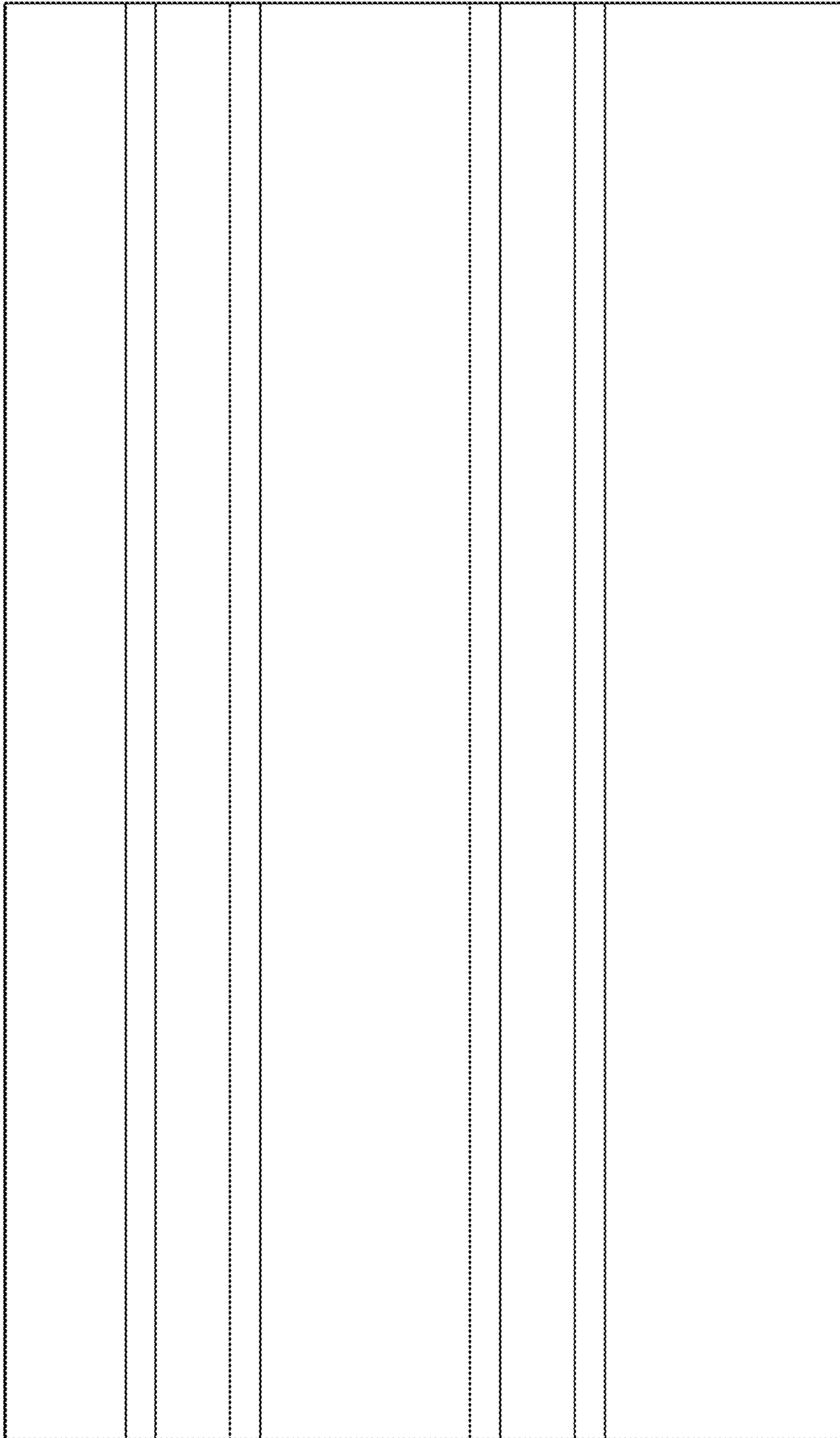


FIG. 7