



US00D881411S

(12) **United States Design Patent** (10) **Patent No.:** **US D881,411 S**  
**Livingston et al.** (45) **Date of Patent:** **\*\* \*Apr. 14, 2020**

(54) **REAGENT RECEPTACLE**

(56) **References Cited**

(71) Applicant: **Becton, Dickinson and Company**,  
Franklin Lakes, NJ (US)  
(72) Inventors: **Dwight Livingston**, Fallston, MD (US);  
**Steven C. Rotundo**, Baltimore, MD  
(US); **Gordon Franklin**, Hanover, PA  
(US)

U.S. PATENT DOCUMENTS

D131,198 S	1/1942	Limpert et al.	
D209,642 S	12/1967	Goldberg	
D227,860 S	7/1973	Schumann	
D238,148 S *	12/1975	Dilot .....	D7/629
D240,900 S	8/1976	Rogers et al.	
D266,049 S *	9/1982	Conti .....	D7/602
D275,165 S *	8/1984	Grusin .....	D7/586
D275,653 S	9/1984	Crutchfield	

(Continued)

(73) Assignee: **Becton, Dickinson and Company**,  
Franklin Lakes, NJ (US)

(\* ) Notice: This patent is subject to a terminal disclaimer.

(\*\*) Term: **15 Years**

(21) Appl. No.: **29/635,165**

(22) Filed: **Jan. 29, 2018**

OTHER PUBLICATIONS

V&P Scientific, Inc. Molded Polypropylene Reservoir. No date specified. <http://vp-sci.com/products/reagent-cleaning-reservoirs-and-specialty-labware/reservoirs/vp-572dc-4.html> (Year: 0).\*

(Continued)

*Primary Examiner* — Darcey E Gottschalk  
(74) *Attorney, Agent, or Firm* — Lerner, David,  
Littenberg, Krumholz & Mentlik, LLP

**Related U.S. Application Data**

(60) Division of application No. 29/575,801, filed on Aug. 29, 2016, now Pat. No. Des. 809,154, which is a continuation-in-part of application No. 29/564,530, filed on May 13, 2016, now Pat. No. Des. 800,915.

(51) **LOC (12) Cl.** ..... **24-01**

(52) **U.S. Cl.**  
USPC ..... **D24/224**; D9/456

(58) **Field of Classification Search**  
USPC ..... D3/201, 202, 203.1, 203.2, 203.3, 204;  
D9/414-419, 421-425, 427-436, 443,  
D9/444, 447, 455-457, 499, 737, 756,  
D9/759-761; D24/121, 129, 224-227;  
D7/396.1, 550.1, 553.2, 553.3, 554.4,  
D7/555, 601, 602, 629, 729  
CPC ..... B65D 71/00; B65D 5/503; B65D 5/36;  
B65D 5/20; B01L 2300/0609  
See application file for complete search history.

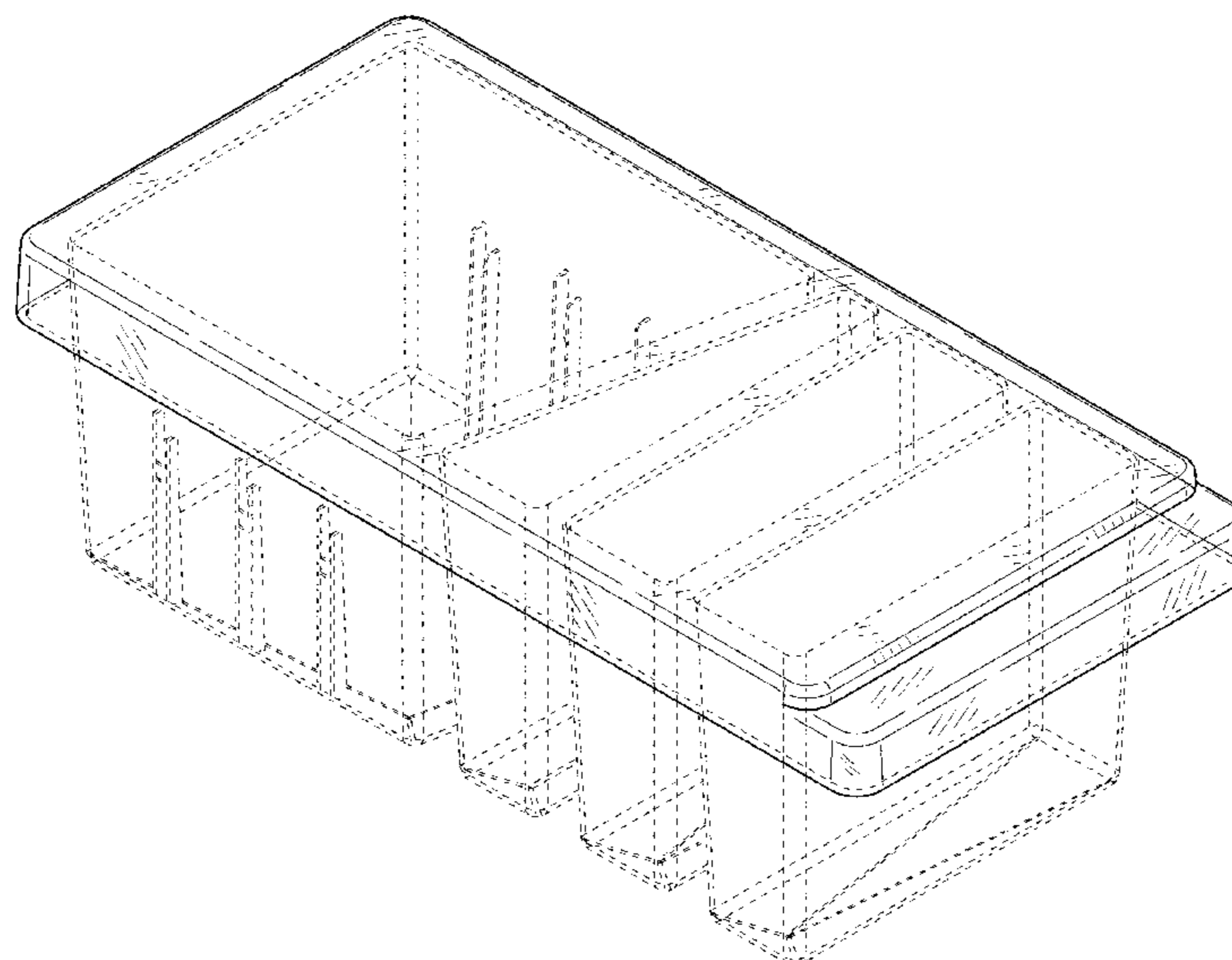
(57) **CLAIM**

The ornamental design for a reagent receptacle, as shown and described.

**DESCRIPTION**

FIG. 1 is a front perspective view of a reagent receptacle according to our new design;  
FIG. 2 is a front elevational view thereof;  
FIG. 3 is a rear elevational view thereof;  
FIG. 4 is a right side elevational view thereof;  
FIG. 5 is a left side elevational view thereof;  
FIG. 6 is a top plan view thereof; and,  
FIG. 7 is a bottom plan view thereof.  
The broken lines illustrate unclaimed environmental structure and form no part of the claimed design. The oblique shade lines shown in the drawings indicate a transparent surface.

**1 Claim, 4 Drawing Sheets**



(56)

**References Cited**

U.S. PATENT DOCUMENTS

D335,348 S 5/1993 Frenkel et al.  
 D352,202 S 11/1994 Campbell et al.  
 D359,126 S \* 6/1995 Hovatter ..... D24/227  
 D363,192 S 10/1995 Reeves et al.  
 D365,153 S 12/1995 Robertson, Jr.  
 D367,932 S 3/1996 Lim  
 D416,330 S 11/1999 Brown  
 D421,498 S \* 3/2000 Livingston ..... D24/224  
 D451,676 S 12/2001 Dembicks  
 D573,038 S 7/2008 Picken  
 D610,265 S \* 2/2010 Lea ..... D24/227  
 D613,875 S 4/2010 Mcdevitt  
 D616,250 S 5/2010 Peyton et al.  
 D631,707 S 2/2011 Samartgis  
 D641,234 S 7/2011 Salin  
 D642,904 S 8/2011 Turvey  
 D644,886 S 9/2011 Samartgis  
 D644,887 S 9/2011 Samartgis  
 D671,817 S 12/2012 Brown  
 D691,465 S 10/2013 O'Brien et al.  
 D727,732 S 4/2015 Petty  
 D762,083 S 7/2016 Librus

D772,053 S 11/2016 Mayer  
 D787,323 S 5/2017 Beck et al.  
 D800,915 S 10/2017 Livingston et al.  
 D805,897 S 12/2017 Scharer et al.  
 D808,039 S 1/2018 Self et al.  
 D809,154 S 1/2018 Livingston et al.  
 D832,456 S \* 10/2018 Self ..... D24/224  
 D839,093 S \* 1/2019 Livingston ..... D9/456  
 D839,751 S \* 2/2019 Troudt ..... D9/737  
 D846,144 S \* 4/2019 Fawdington ..... D24/224  
 2009/0096150 A1 4/2009 Cihan et al.

OTHER PUBLICATIONS

Rings Things. Bead and Craft Storage Organizers. Nov. 15, 2014 [earliest online date], [site visited Feb. 2, 2017]. Available from Internet, URL: <http://www.rings-things.com/Products/Bead-and-Craft-Storage-Organizers/>.  
 BD. BD Phoenix identification and susceptibility combo panels. 2018 [earliest online date], [site visited Mar. 13, 2018]. Available from Internet, <URL:https://goo.gl/UBQdCS>. (Year: 2018).  
 Design U.S. Appl. No. 29/615,785, filed Aug. 31, 2017 (Livingston et al.).

\* cited by examiner

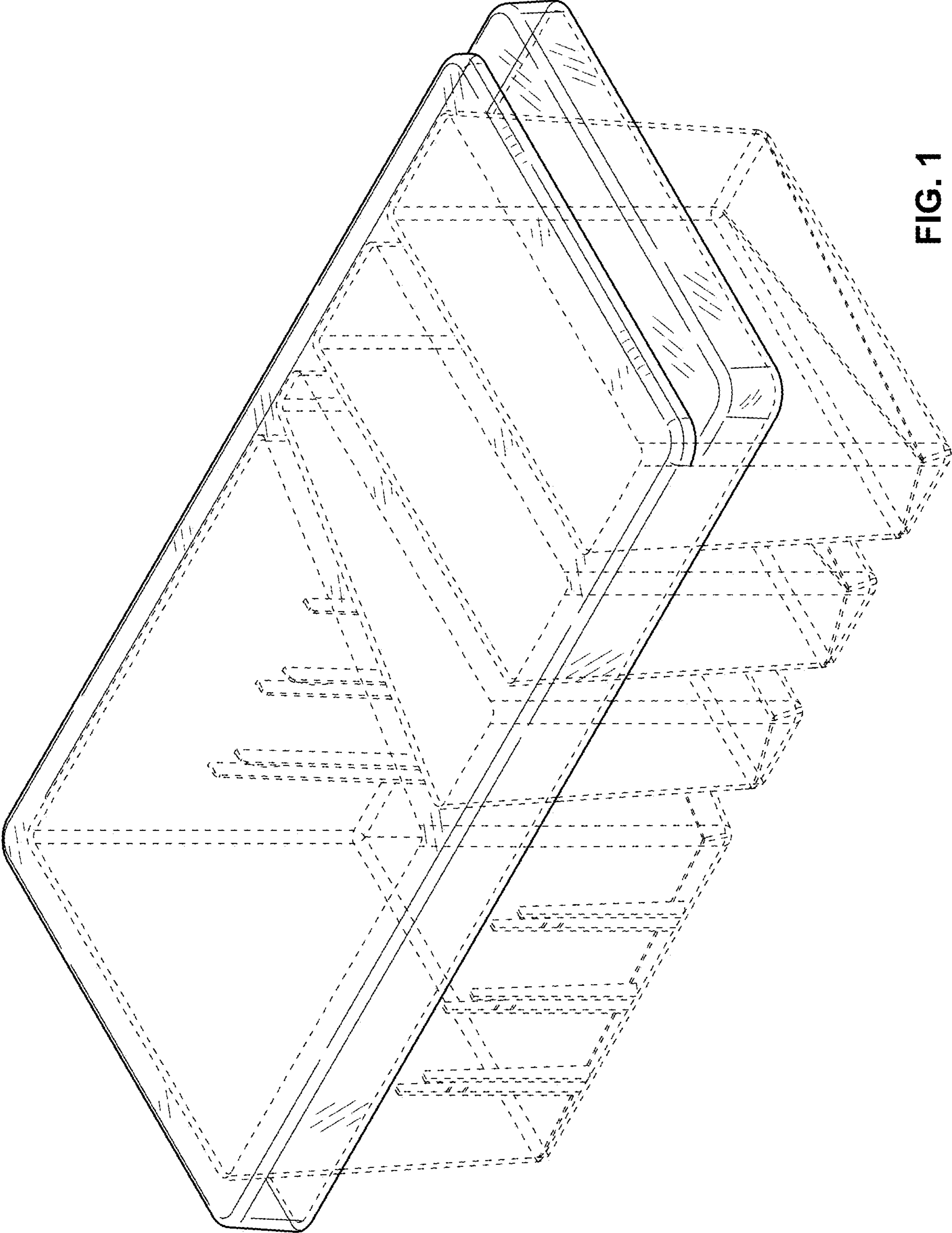


FIG. 1

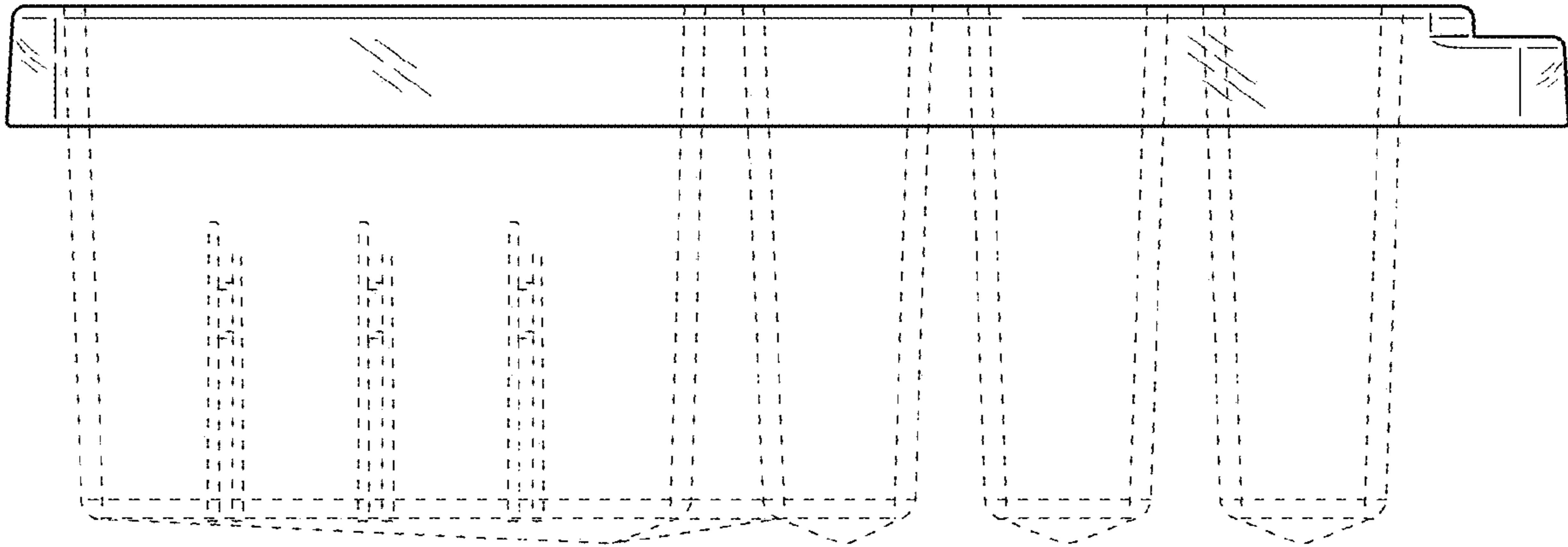


FIG. 2

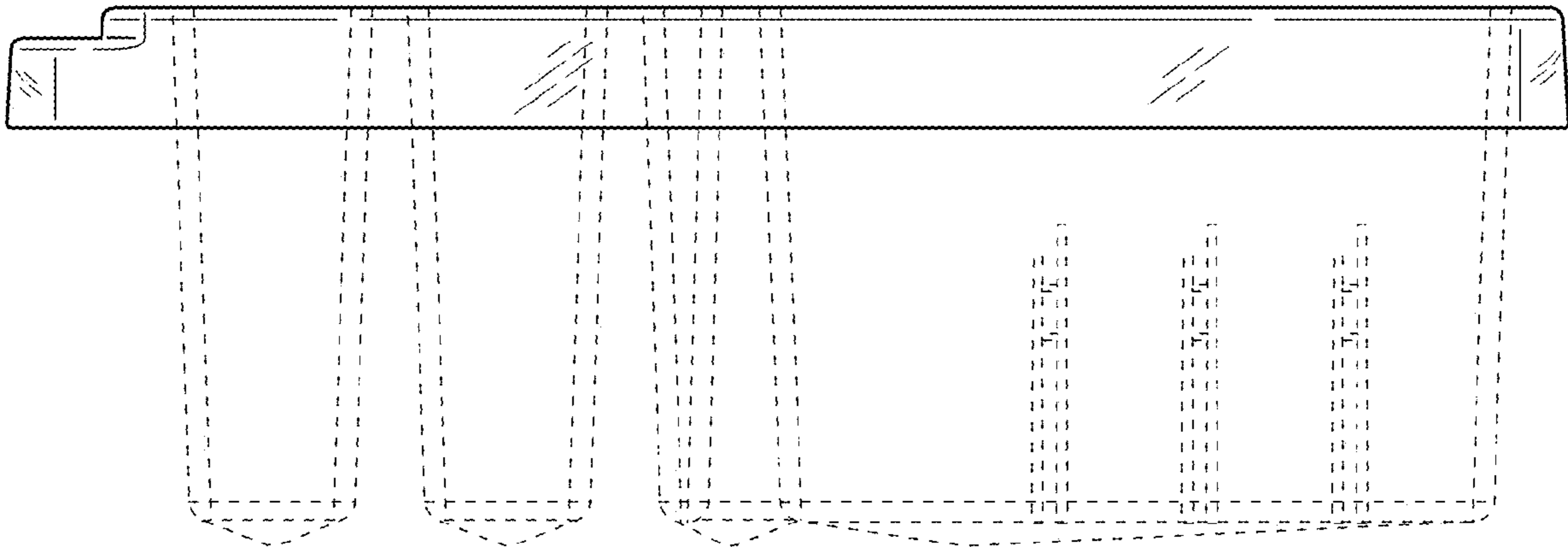


FIG. 3

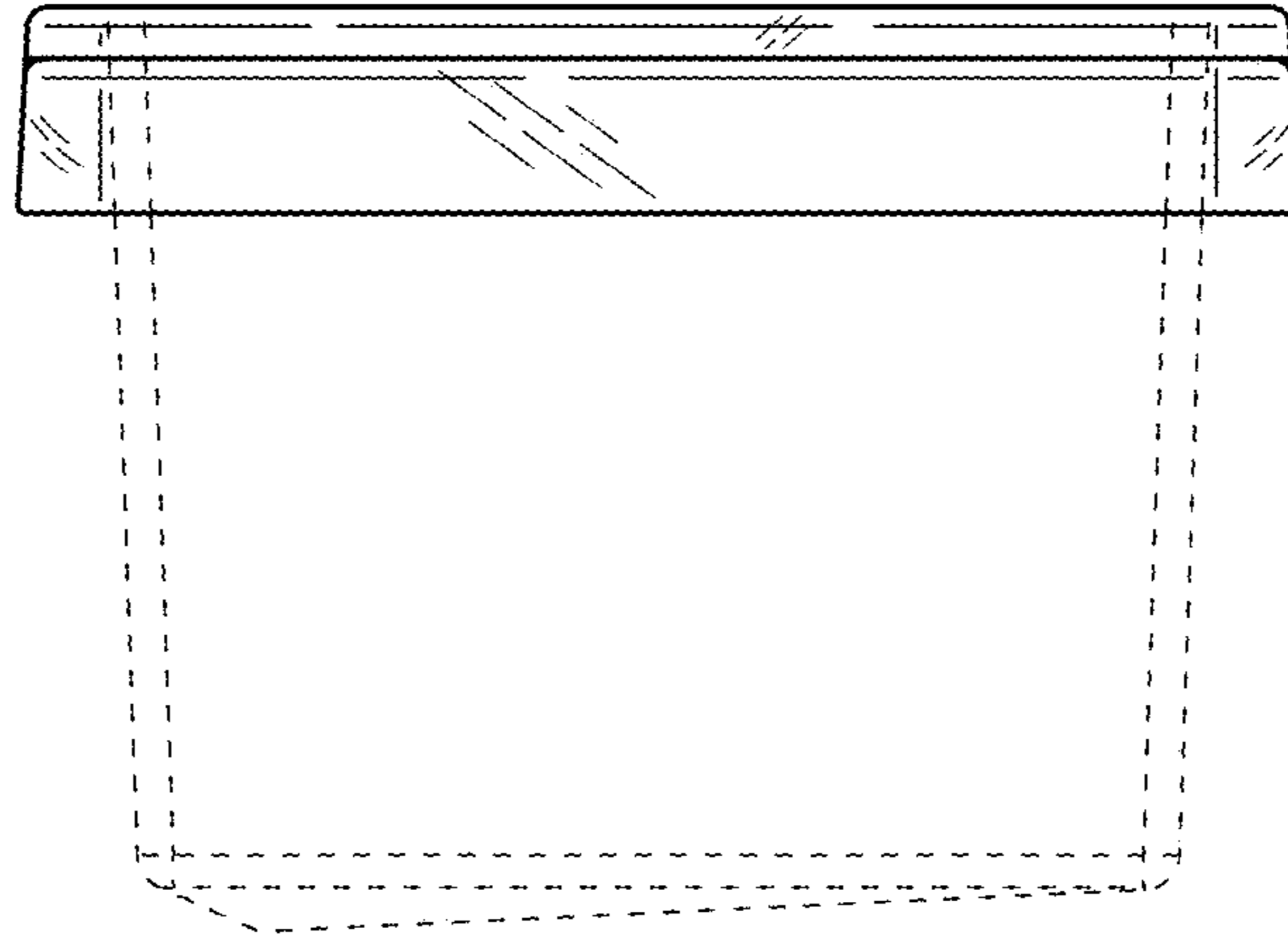


FIG. 4

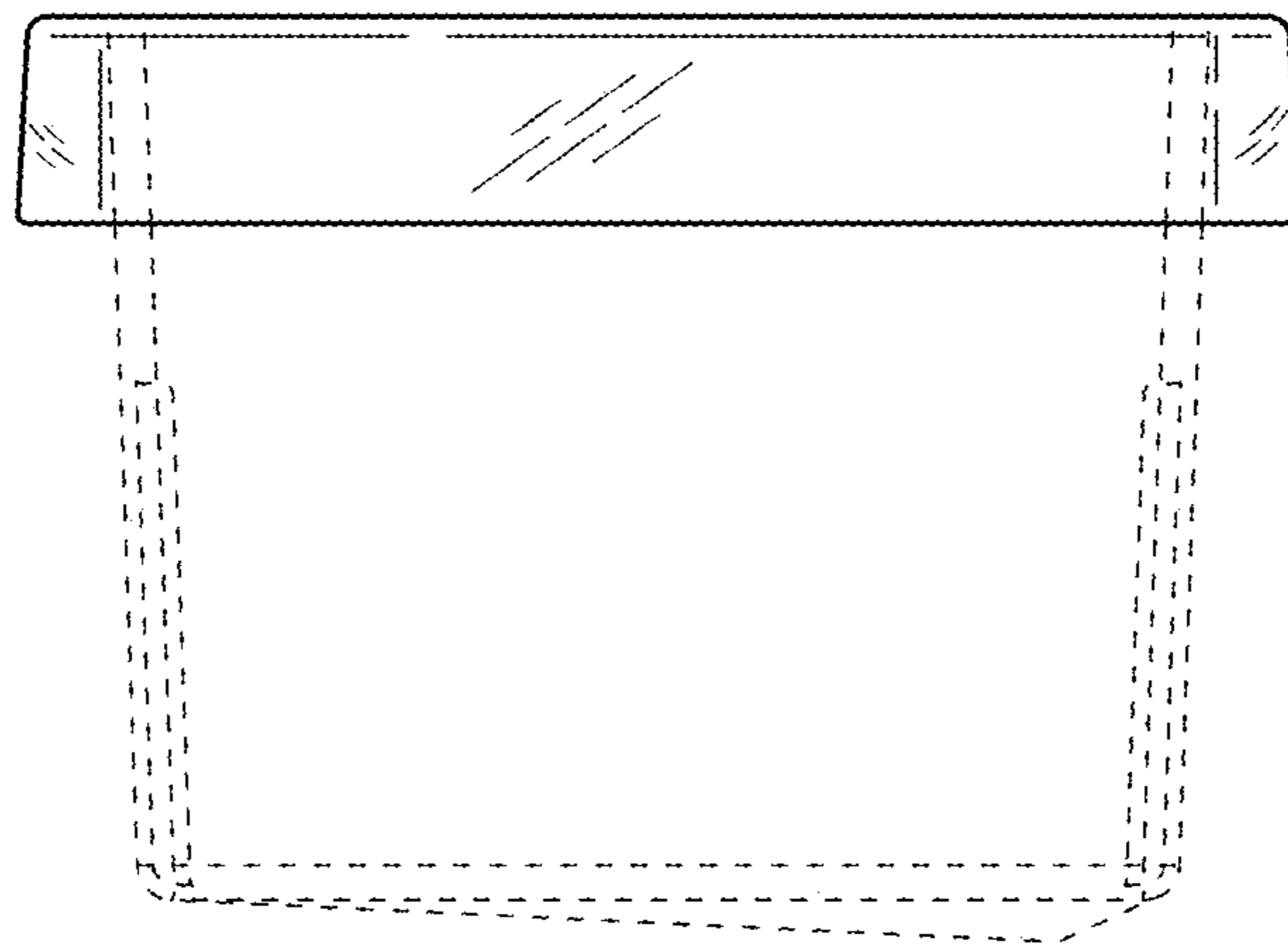


FIG. 5

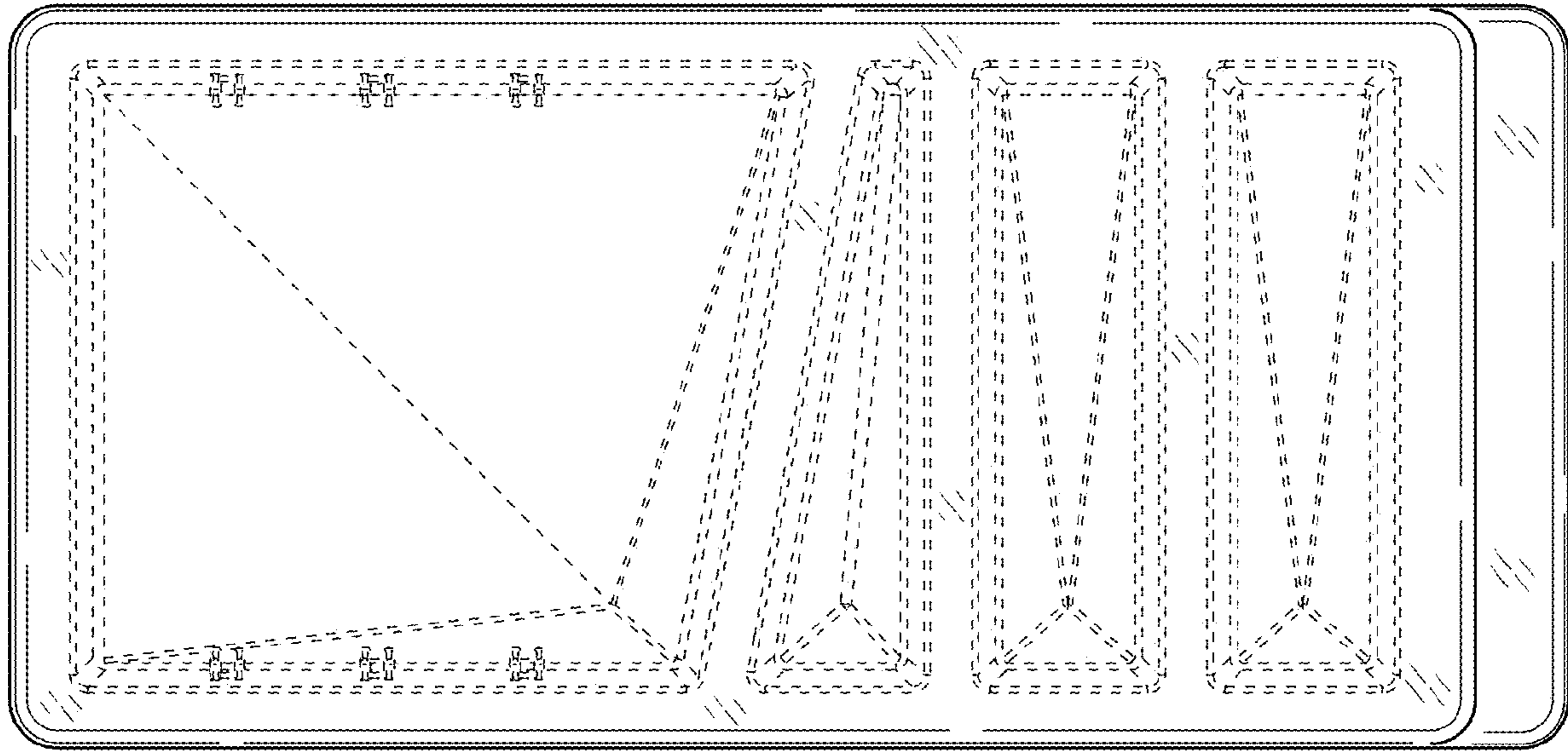


FIG. 6

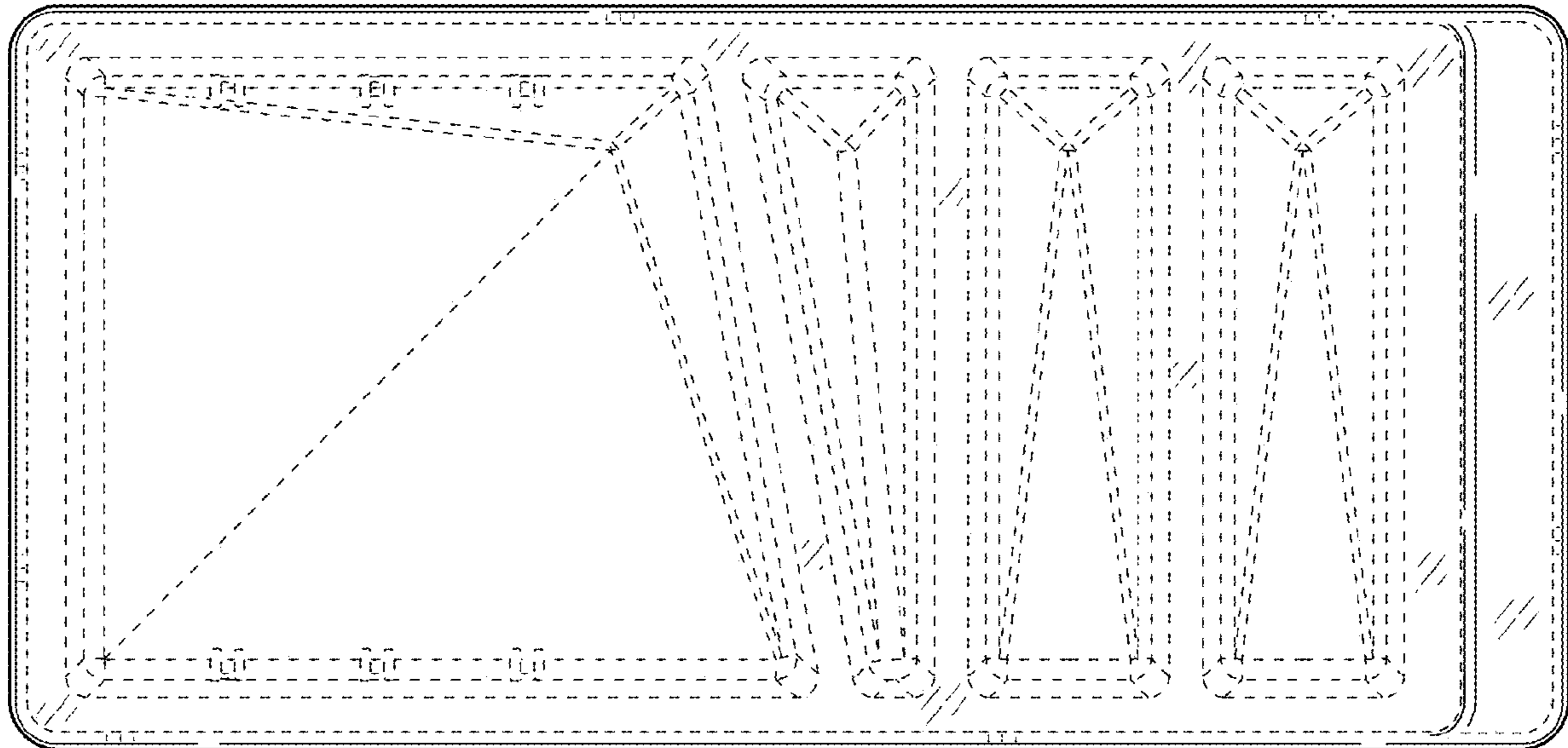


FIG. 7