



US00D881407S

(12) **United States Design Patent** (10) **Patent No.:** **US D881,407 S**
Li (45) **Date of Patent:** **** Apr. 14, 2020**

(54) **PORTABLE CPAP HOSE SANITIZER**

(71) Applicant: **Xiong Li**, Shenzhen (CN)

(72) Inventor: **Xiong Li**, Shenzhen (CN)

(**) Term: **15 Years**

(21) Appl. No.: **29/707,087**

(22) Filed: **Sep. 26, 2019**

(30) **Foreign Application Priority Data**

Apr. 28, 2019 (CN) 2019 3 0200965

(51) **LOC (12) Cl.** **24-01**

(52) **U.S. Cl.**
USPC **D24/217**

(58) **Field of Classification Search**
USPC D24/216, 217, 218, 219, 232, 108;
D6/534; D28/44, 73; D32/1, 25
CPC A61L 2/26; A61L 2/24; A61L 2/17; A61L
2/18; A61L 2/025; A61L 2202/122; A61L
2202/10; A61L 2202/11; A61L 2202/14;
A61L 2202/23; A61L 2202/24; A61L
2202/182

See application file for complete search history.

(56) **References Cited**

U.S. PATENT DOCUMENTS

| | | | | | | |
|--------------|----|---|---------|-----------|-------|----------------------|
| D406,416 | S | * | 3/1999 | Chan | | D32/1 |
| D593,262 | S | * | 5/2009 | Gong | | D24/217 |
| D679,825 | S | * | 4/2013 | Elkerbout | | D24/217 |
| D719,673 | S | * | 12/2014 | Leyva | | D24/217 |
| D796,749 | S | * | 9/2017 | Kessler | | D32/1 |
| D815,298 | S | * | 4/2018 | Gorelick | | D24/217 |
| D825,778 | S | * | 8/2018 | Brenner | | D24/232 |
| 10,398,797 | B2 | * | 9/2019 | Leyva | | A61L 2/202 |
| 2014/0271370 | A1 | * | 9/2014 | Sirotin | | A61L 2/07 422/105 |
| 2017/0066585 | A1 | * | 3/2017 | Nwaigwe | | A61L 2/22 |

OTHER PUBLICATIONS

Kauf.com—Solid Cleaner—Jun. 25, 2019.*
 “2019 Multifunction Moocoo CPAP Cleaner and Sanitizer for CPAP Machines, Masks, Cushion and Tubing—Suitable Also for Household Cleaning—Includes Sealed Bag, Heated Hose and Airmini Adapter”, Retrieved Sep. 25, 2019]. Retrieved from Internet, <https://www.amazon.com/dp/B07P6QJVD3>.
 “CPAP Cleaner and Sanitizer Bundle CleanerOnly Includes Heated Hose Adapter, AirMini Adapter and Sanitizing Bag”, Retrieved Sep. 25, 2019]. Retrieved from Internet, <https://www.amazon.com/dp/B07V37K6KC>.
 “New Freyat CPAP Cleaner and Sanitizer Bundle with Free Heated Hose Adapter, AirMini Adapter, Sanitizing Bag, Portable Mini Cleaner”, Retrieved Sep. 25, 2019]. Retrieved from Internet, <https://www.amazon.com/FREYAT-Cleaner-Sanitizer-Sanitizing-Portable/dp/B07V1MJX3Q>.

* cited by examiner

Primary Examiner — Anhdao Doan

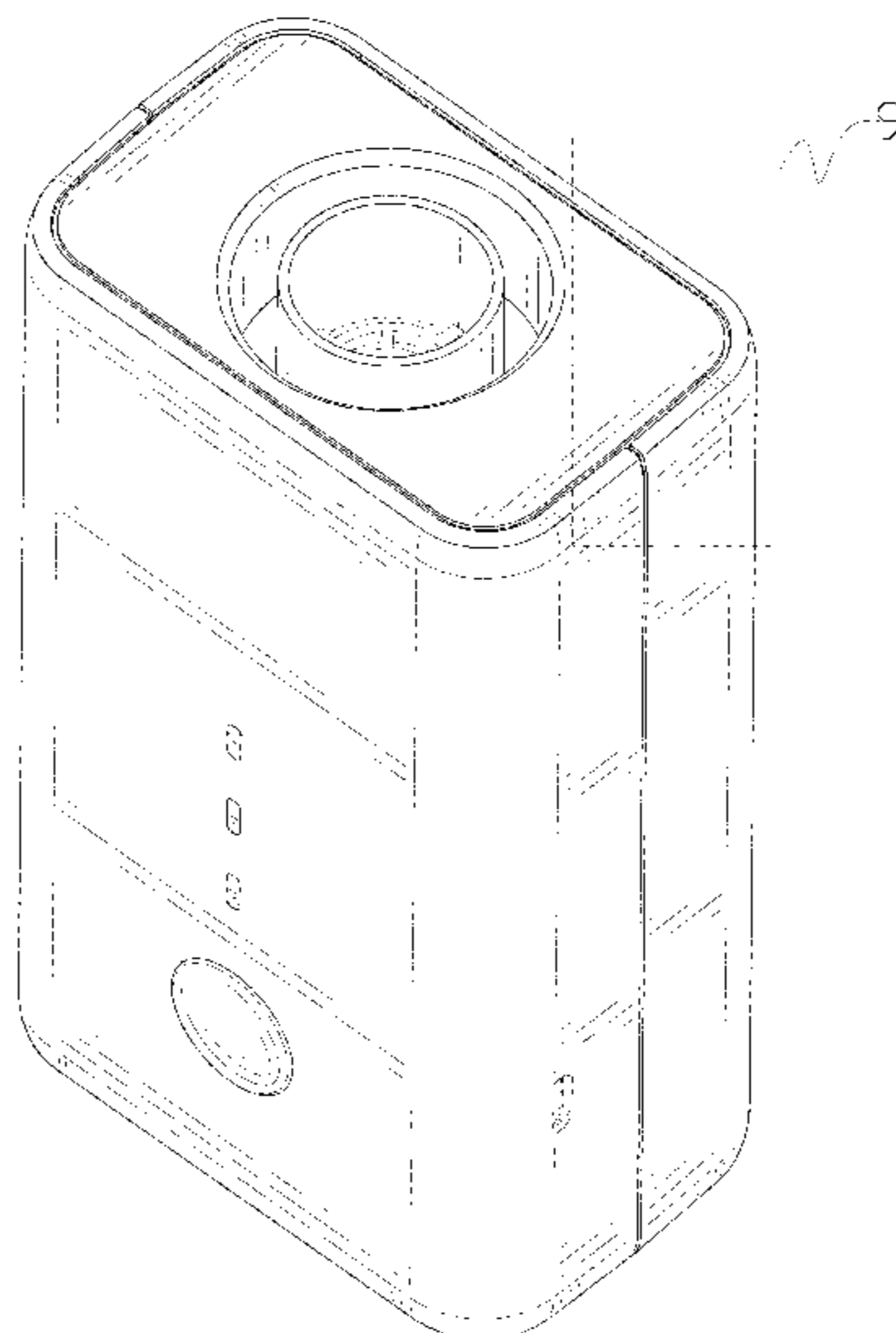
(57) **CLAIM**

The ornamental design for a portable CPAP hose sanitizer, as shown and described.

DESCRIPTION

FIG. 1 is a perspective view of a portable CPAP hose sanitizer showing my new design;
 FIG. 2 is another perspective view thereof;
 FIG. 3 is a front elevational view thereof;
 FIG. 4 is a rear elevational view thereof;
 FIG. 5 is a left side elevational view thereof;
 FIG. 6 is a right side elevational view thereof;
 FIG. 7 is a top plan view thereof;
 FIG. 8 is a bottom plan view thereof;
 FIG. 9 is an enlarged view of the encircled portion 9 of FIG. 1; and,
 FIG. 10 is an enlarged view of the encircled portion 10 of FIG. 2.
 The broken lines in the drawings are for the purpose of illustrating portions of the portable CPAP hose sanitizer that form no part of the claimed design.

1 Claim, 10 Drawing Sheets



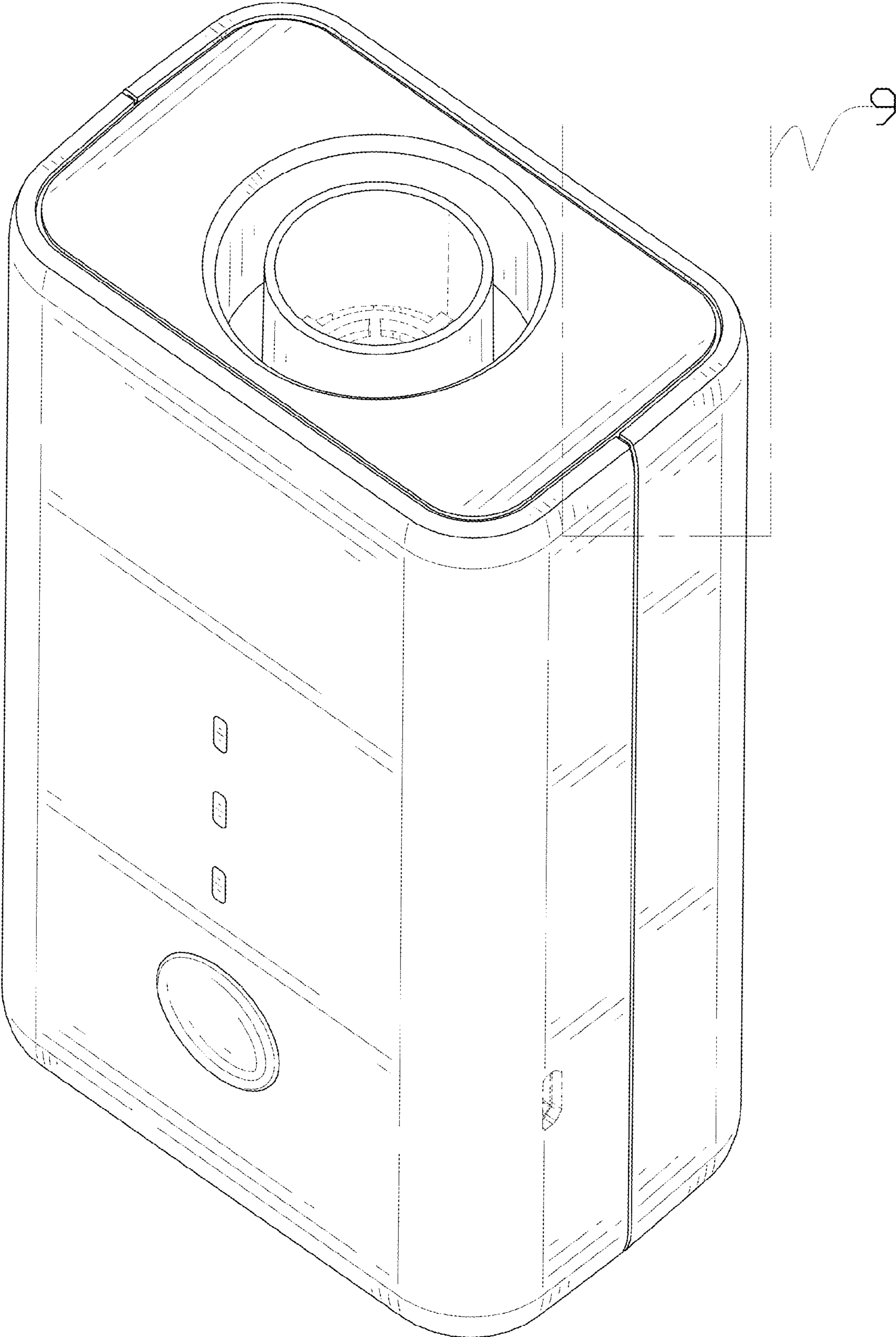


FIG. 1

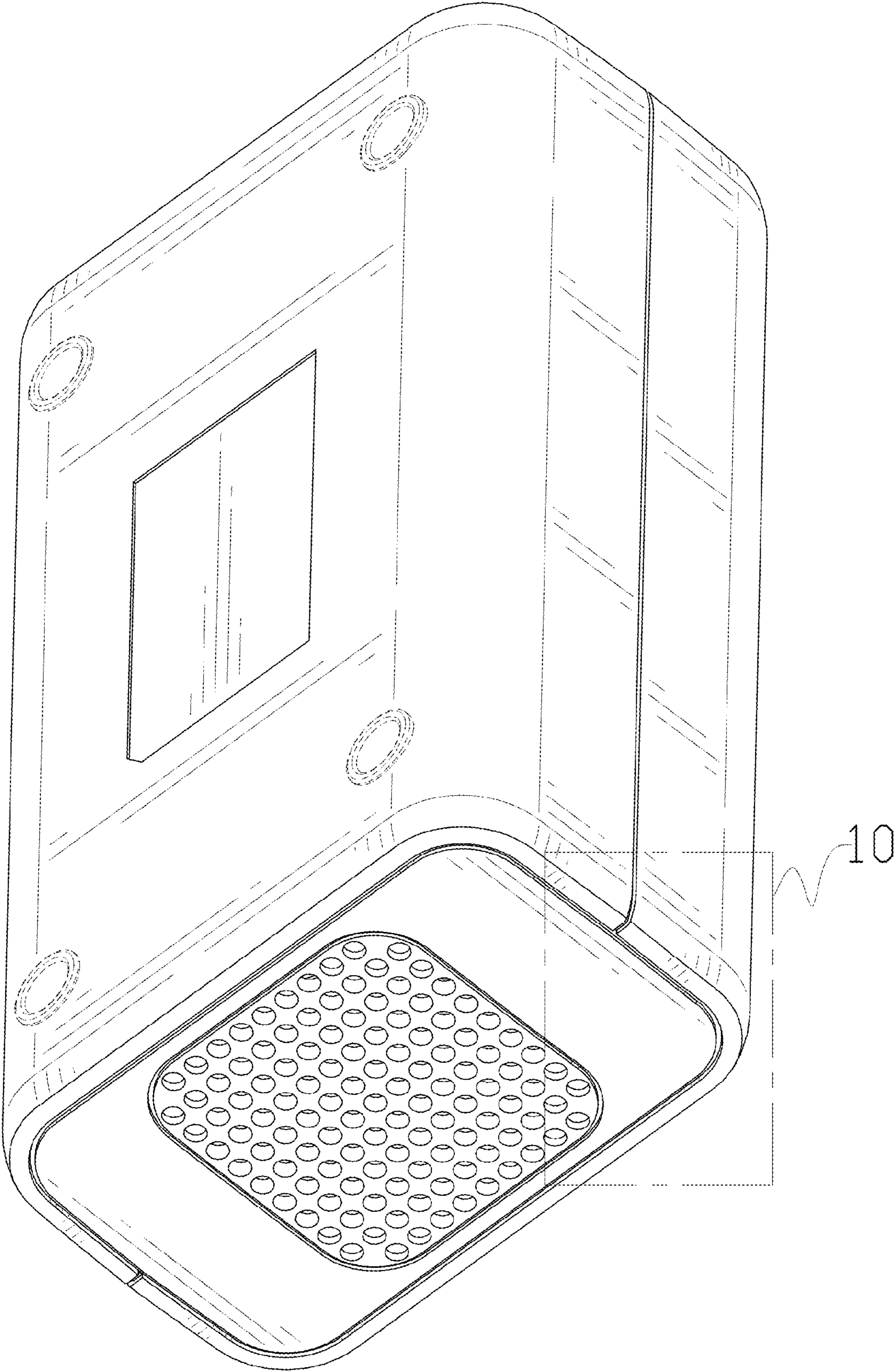


FIG. 2

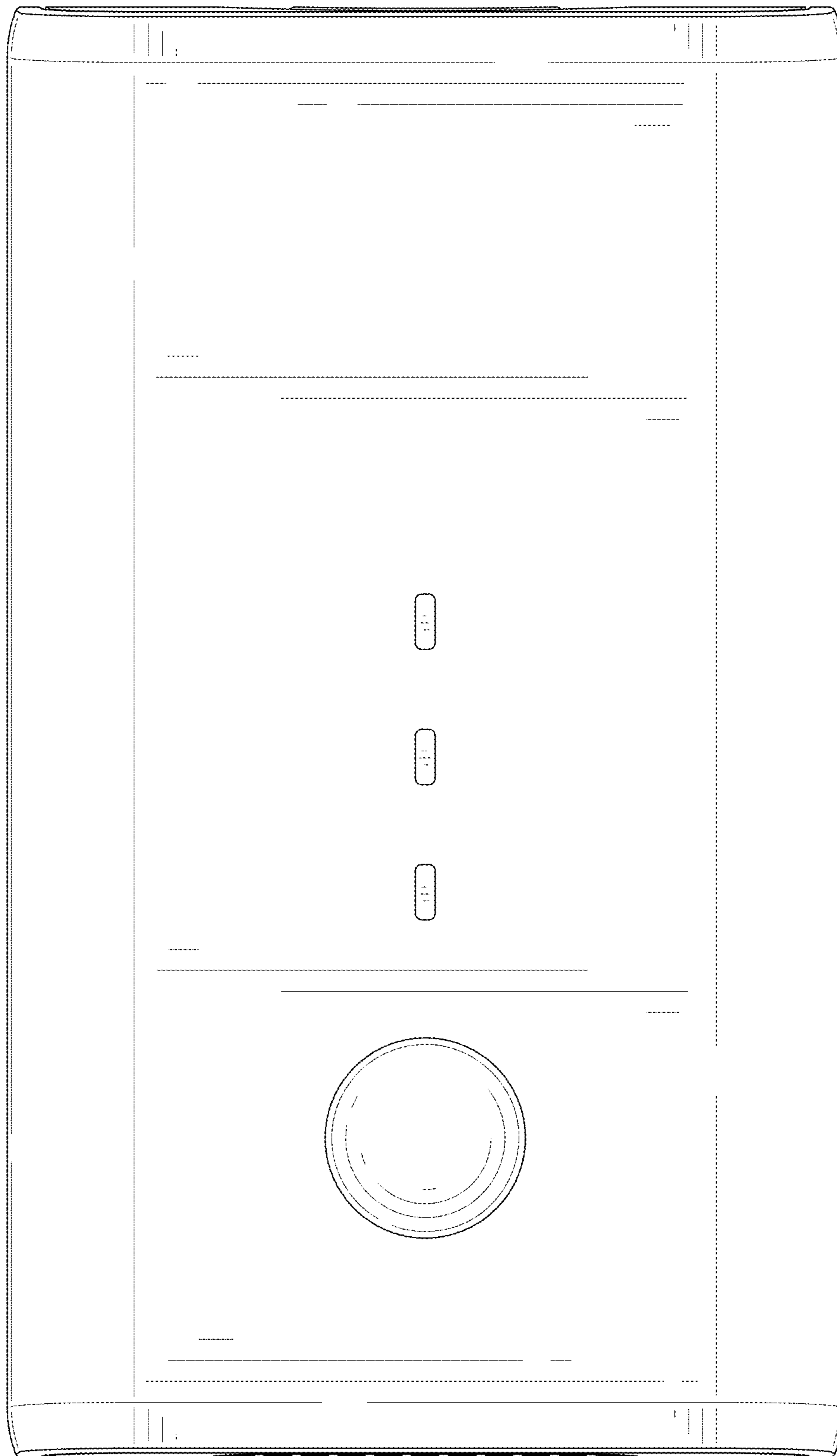


FIG. 3

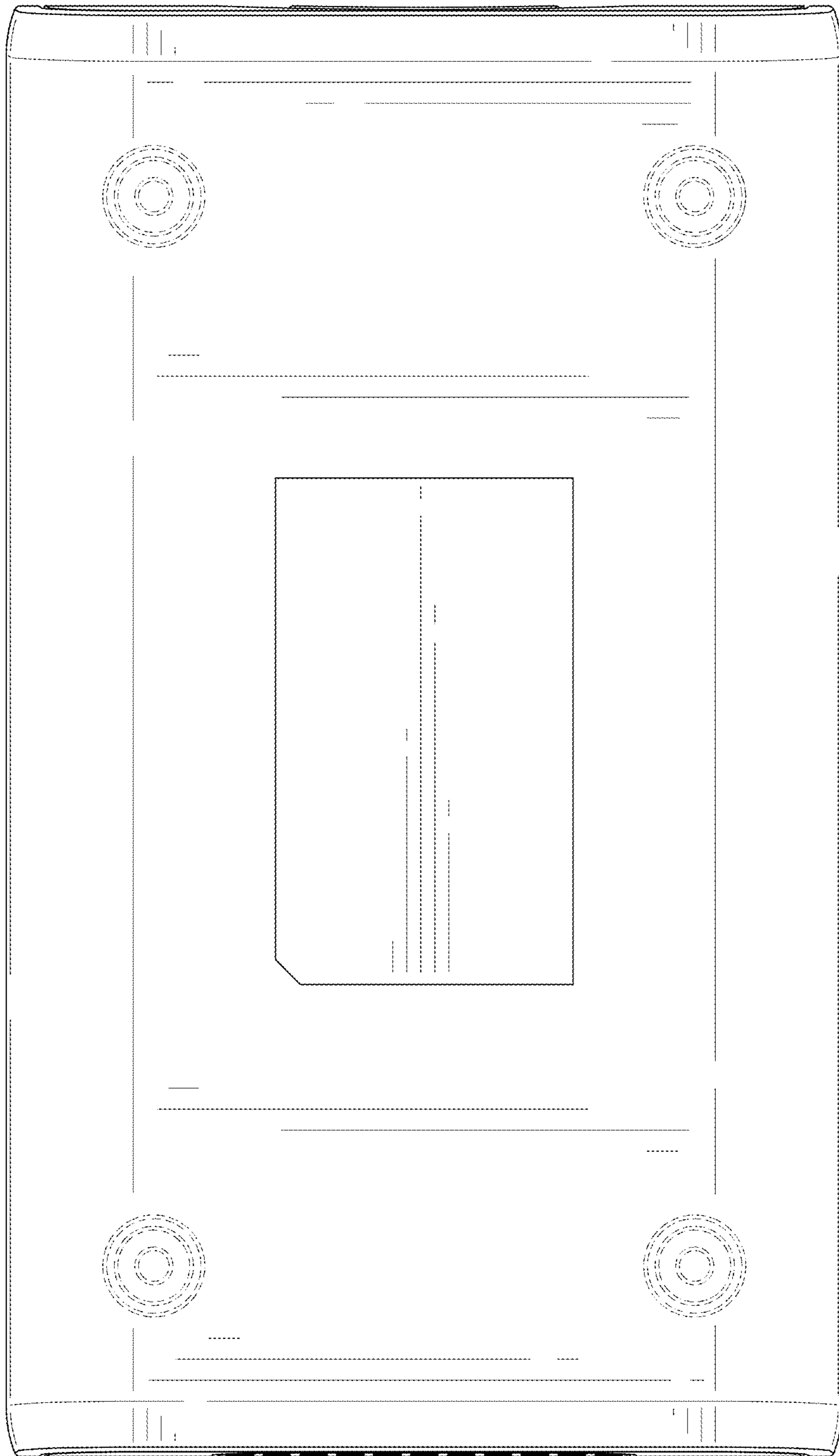


FIG. 4

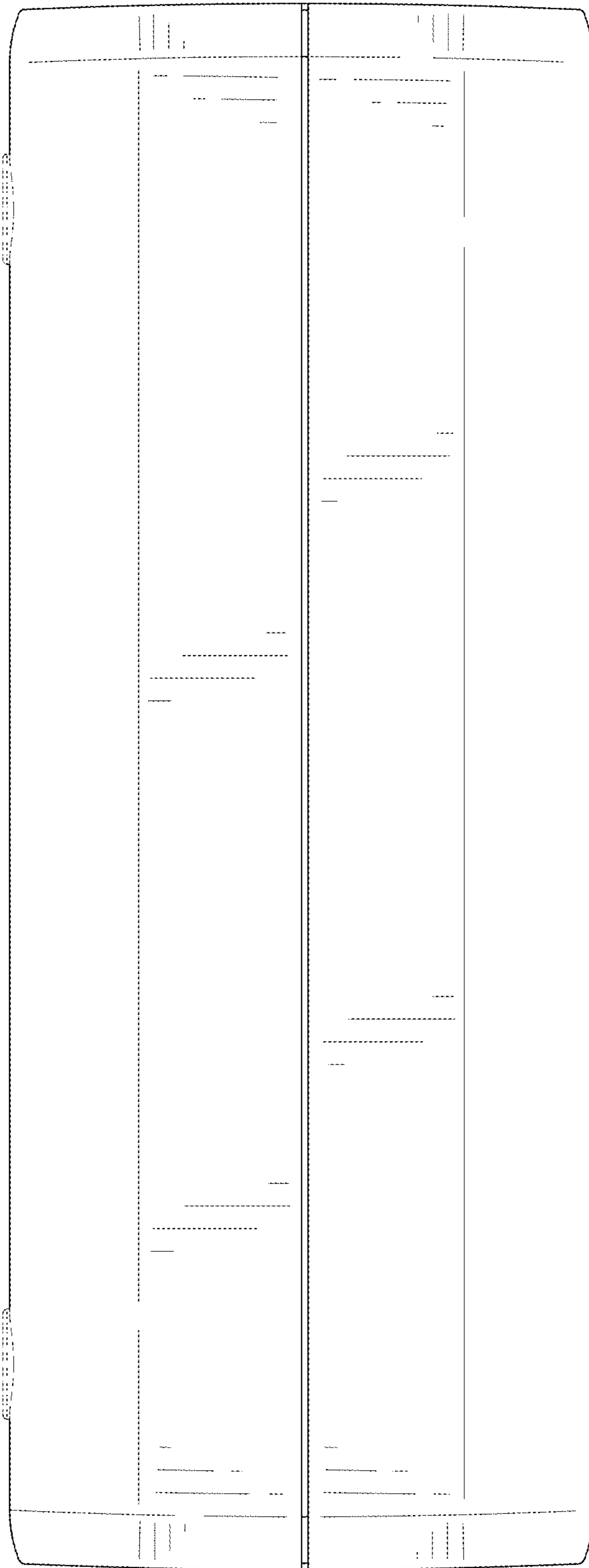


FIG. 5

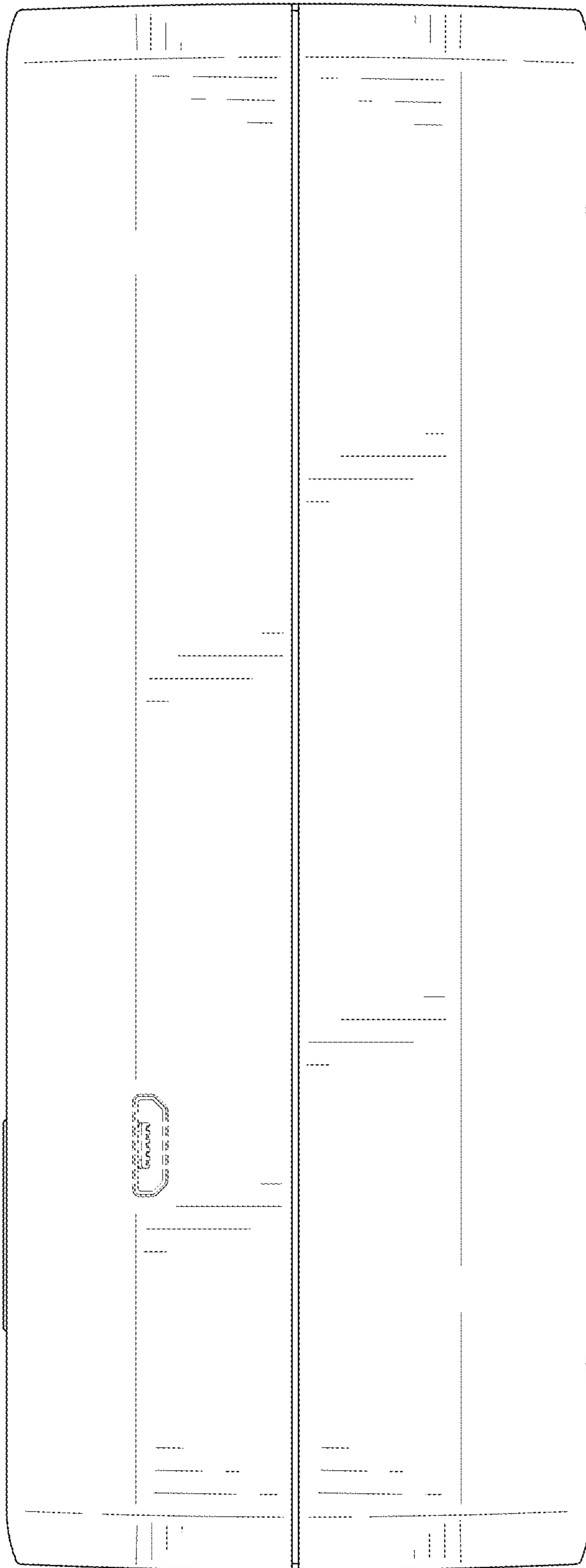


FIG. 6

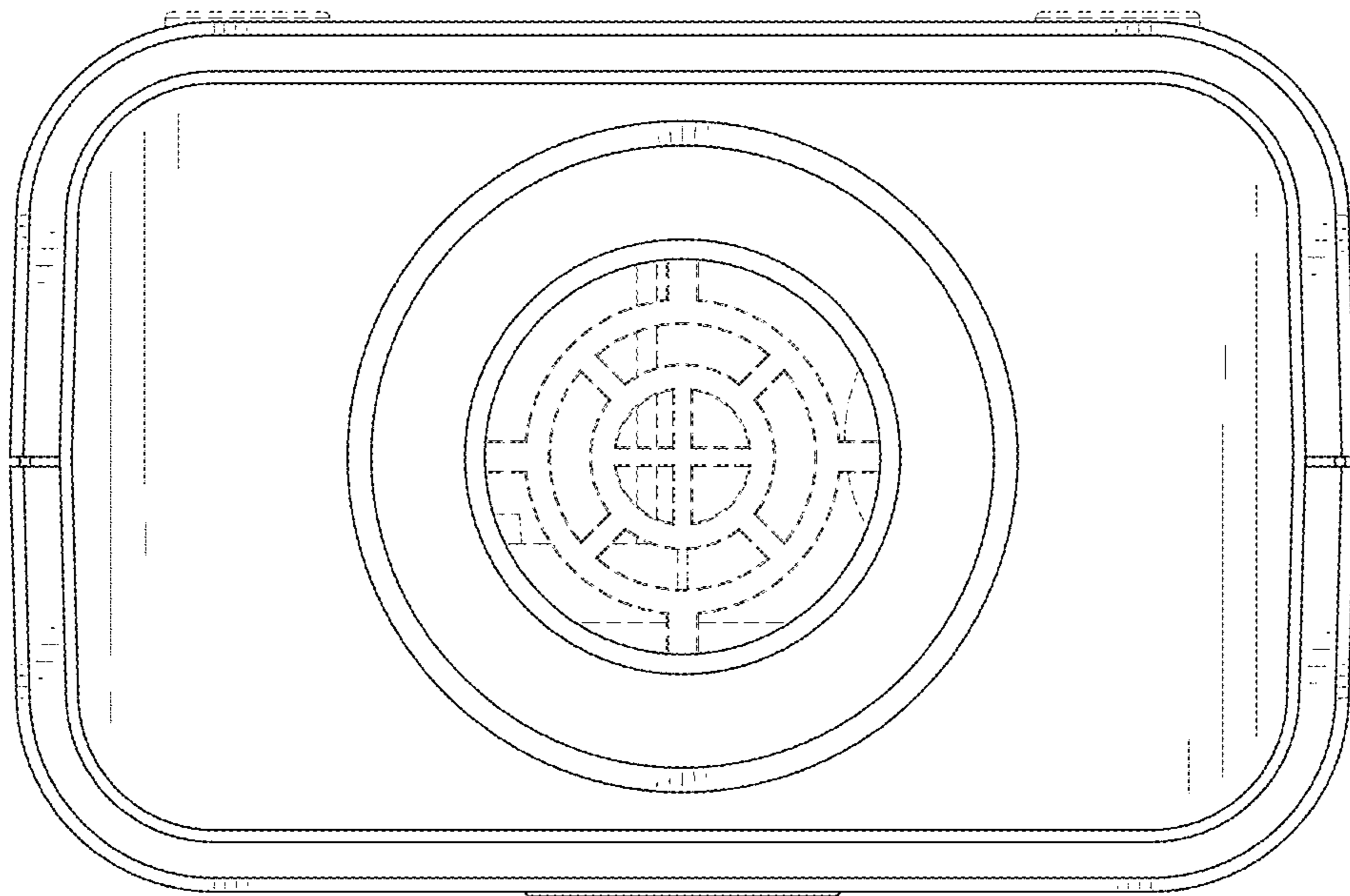


FIG. 7

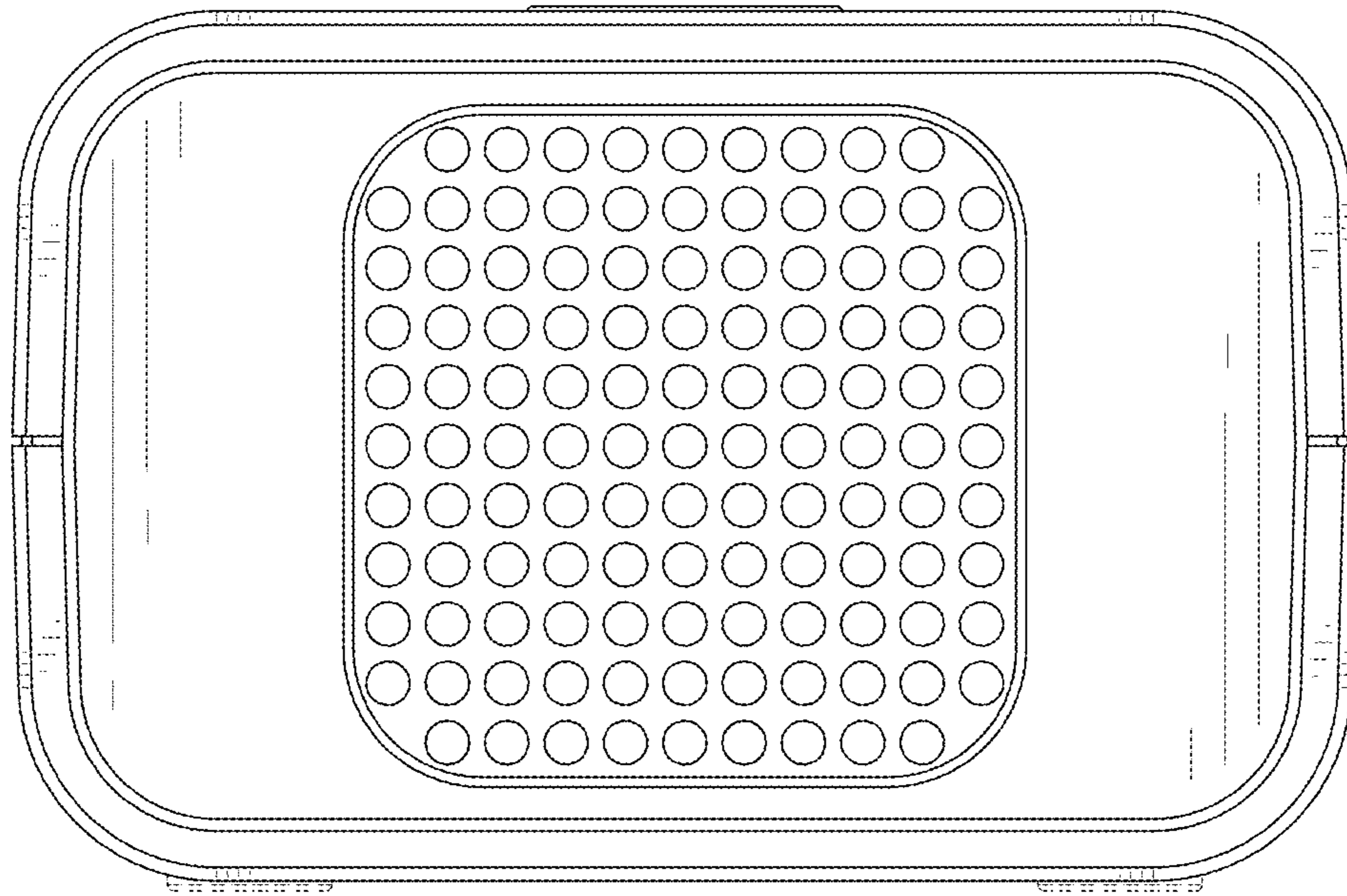


FIG. 8

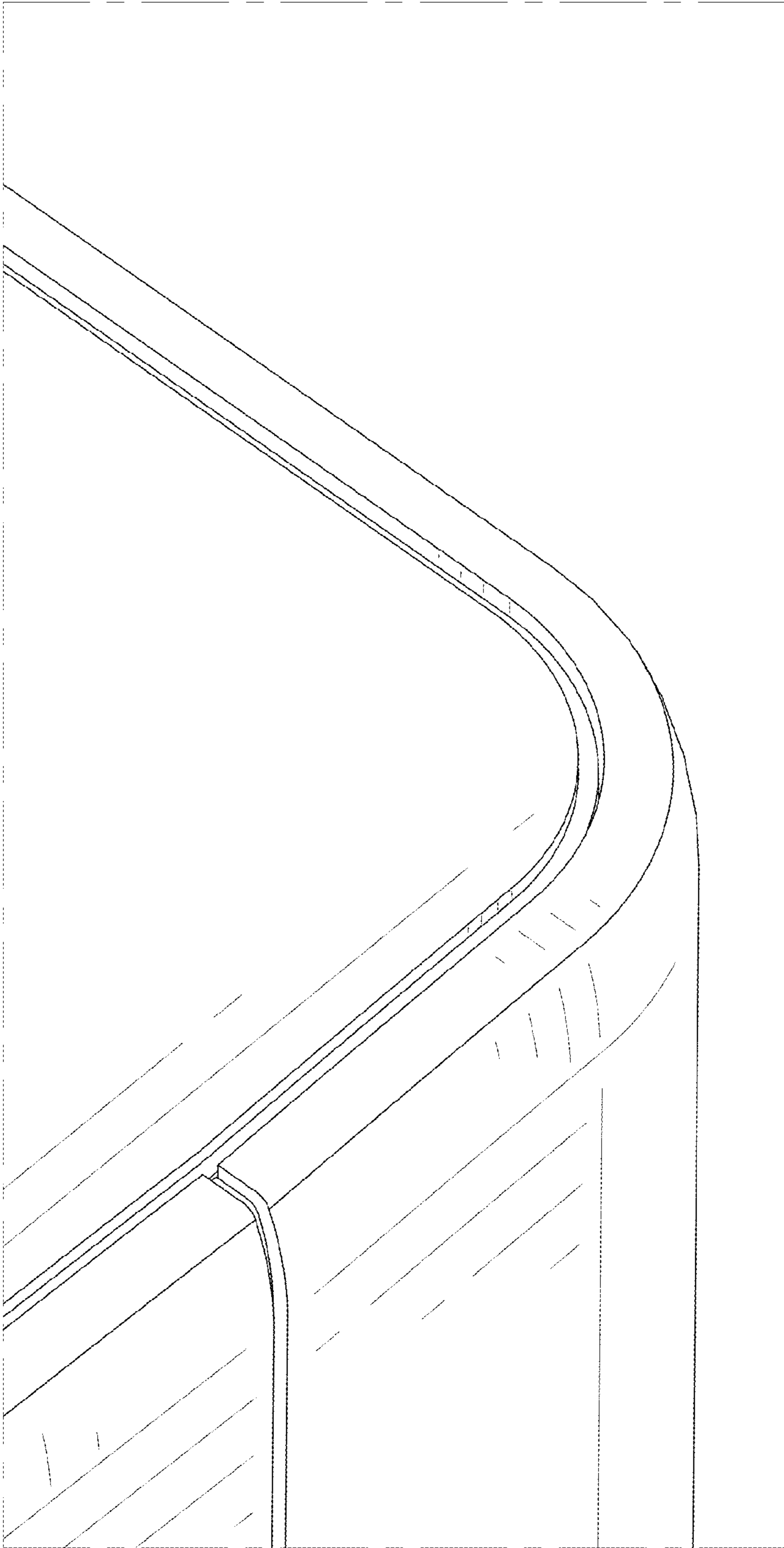


FIG. 9

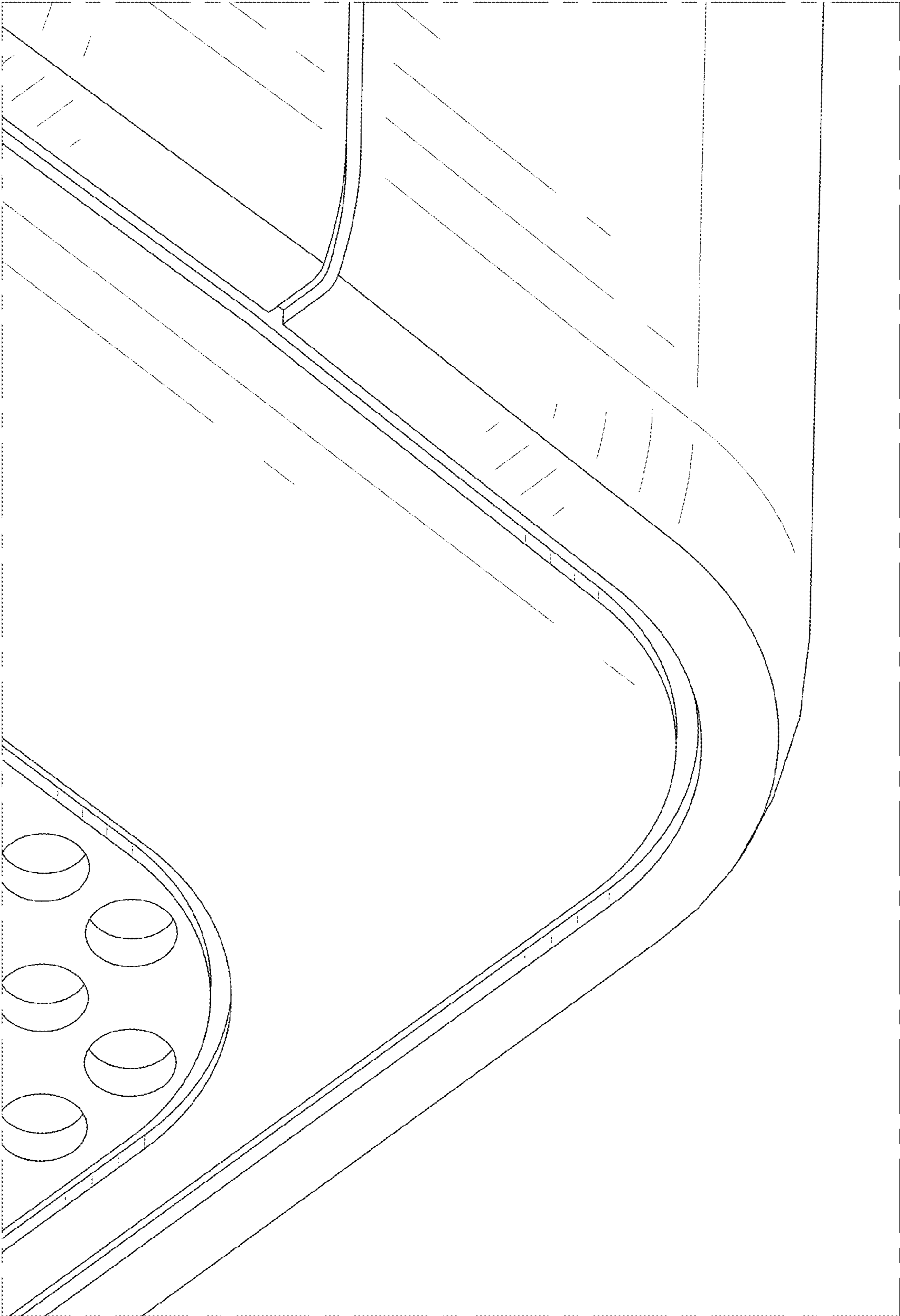


FIG. 10