



US00D881406S

(12) **United States Design Patent**
Kim et al.

(10) **Patent No.:** **US D881,406 S**
(45) **Date of Patent:** **** Apr. 14, 2020**

(54) **TOOTHBRUSH STERILIZER**
(71) Applicant: **Ventures Lab Co., Ltd**, Paju-si,
Gyeonggi-do (KR)
(72) Inventors: **Ji Youn Kim**, Seoul (KR); **Jun Young**
Jang, Seoul (KR)
(73) Assignee: **VENTURES LAB CO., LTD**, Paju-si,
Gyeonggi-Do (KR)

D527,461 S * 8/2006 Yue D24/217
D538,437 S * 3/2007 Yue D24/217
D584,417 S * 1/2009 Massee D24/217
7,951,343 B1 * 5/2011 Davis A61L 2/18
206/209
D717,967 S * 11/2014 Durant D24/217
D731,707 S * 6/2015 Grabes D28/44
D850,646 S * 6/2019 Cassimy D24/217
2011/0049391 A1 * 3/2011 Yang A61L 2/10
250/492.1

(**) Term: **15 Years**
(21) Appl. No.: **29/662,868**
(22) Filed: **Sep. 10, 2018**

* cited by examiner
Primary Examiner — Anhdao Doan
(74) *Attorney, Agent, or Firm* — Novick, Kim & Lee,
PLLC; Jae Youn Kim; Hyun Woo Shin

(30) **Foreign Application Priority Data**
Mar. 8, 2018 (KR) 30-2018-0011416
(51) **LOC (12) Cl.** **24-01**
(52) **U.S. Cl.**
USPC **D24/217**
(58) **Field of Classification Search**
USPC D24/216, 217, 218, 219, 232; D6/534;
D28/44, 73; D32/1, 25
CPC A61L 2/26; A61L 2/24; A61L 2/17; A61L
2/18; A61L 2/025; A61L 2202/122; A61L
2202/10; A61L 2202/11; A61L 2202/14;
A61L 2202/23; A61L 2202/24; A61L
2202/182
See application file for complete search history.

(57) **CLAIM**

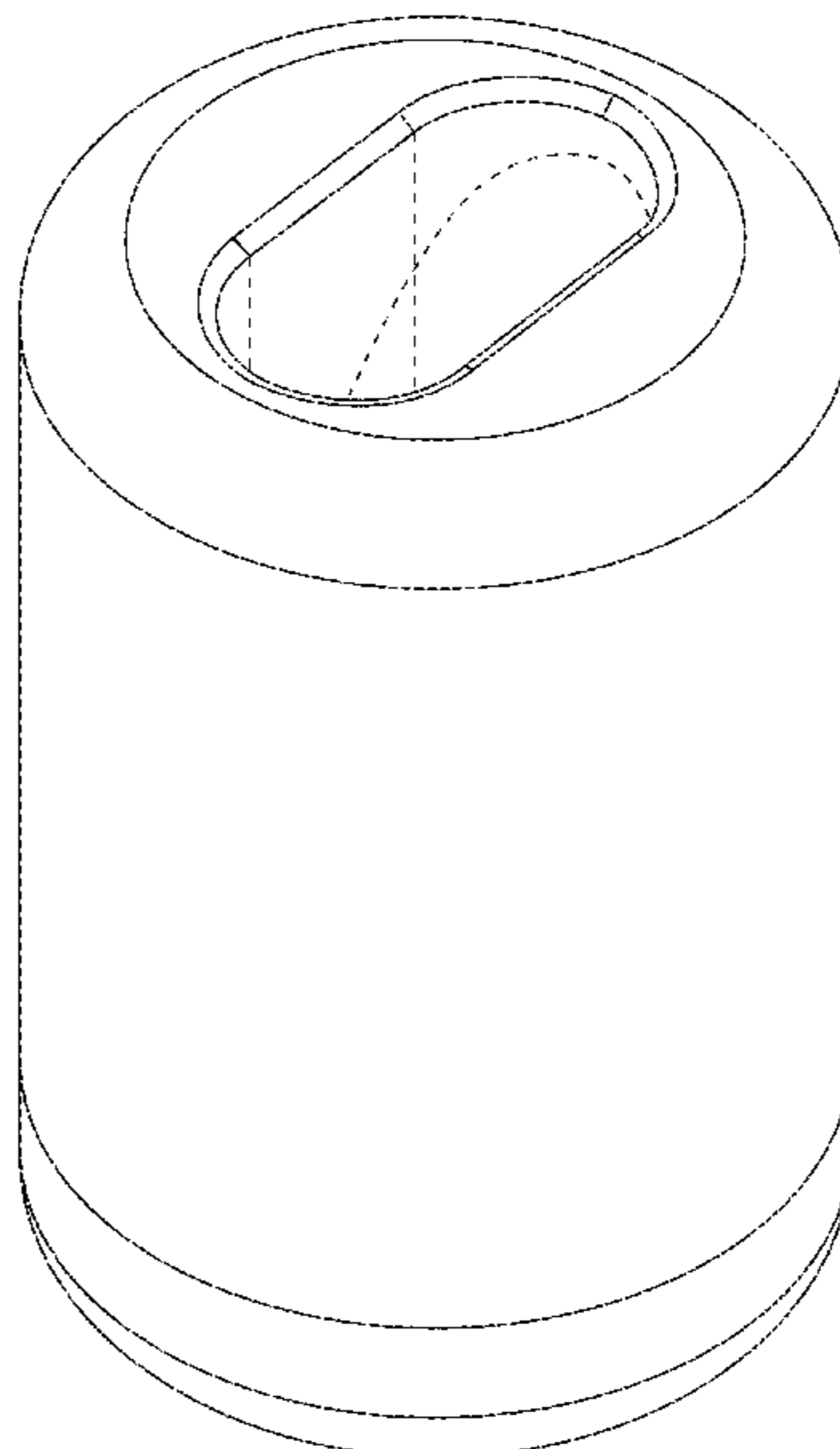
We claim, the ornamental design for a toothbrush sterilizer,
as shown and described.

(56) **References Cited**
U.S. PATENT DOCUMENTS
D319,875 S * 9/1991 Lackey D24/217
D327,195 S * 6/1992 Murphy D6/534
6,565,819 B1 * 5/2003 Herrera A61L 2/24
422/26
D478,230 S * 8/2003 Dretzka D6/534

DESCRIPTION

FIG. 1 is a perspective view of a toothbrush sterilizer,
showing our new design;
FIG. 2 is a front elevational view thereof;
FIG. 3 is a rear elevational view thereof;
FIG. 4 is a left side elevational view thereof;
FIG. 5 is a right side elevational view thereof;
FIG. 6 is a top plan view thereof;
FIG. 7 is a bottom plan view thereof; and,
FIG. 8 is a perspective view thereof showing a configuration
of use wherein a toothbrush is housed in the toothbrush
sterilizer.
The broken line showing of a toothbrush in FIG. 8 represents
an environment and is for illustrative purposes only. The
remaining broken lines show portions of the toothbrush
sterilizer that form no part of the claimed design.

1 Claim, 8 Drawing Sheets



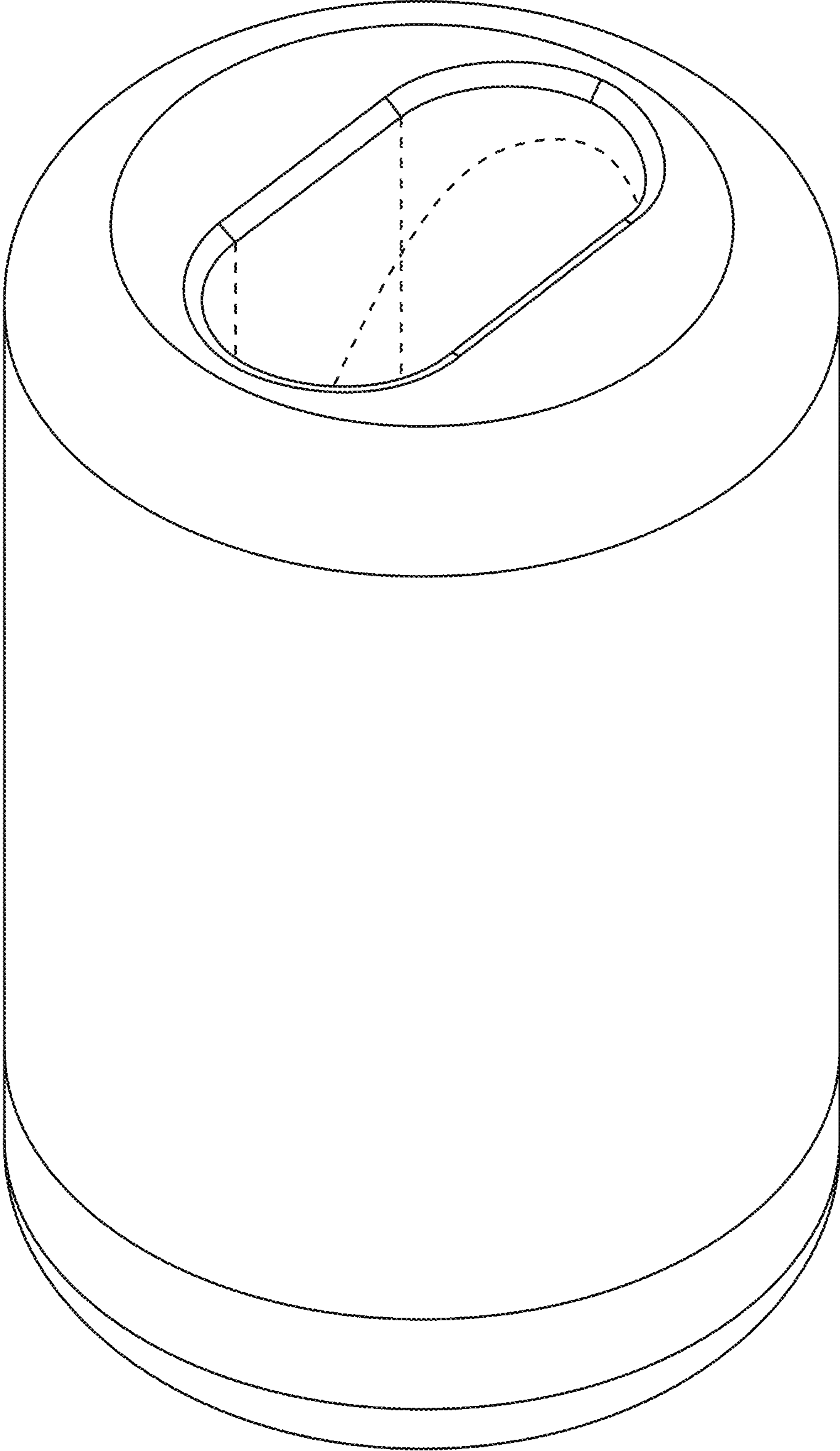


FIG. 1

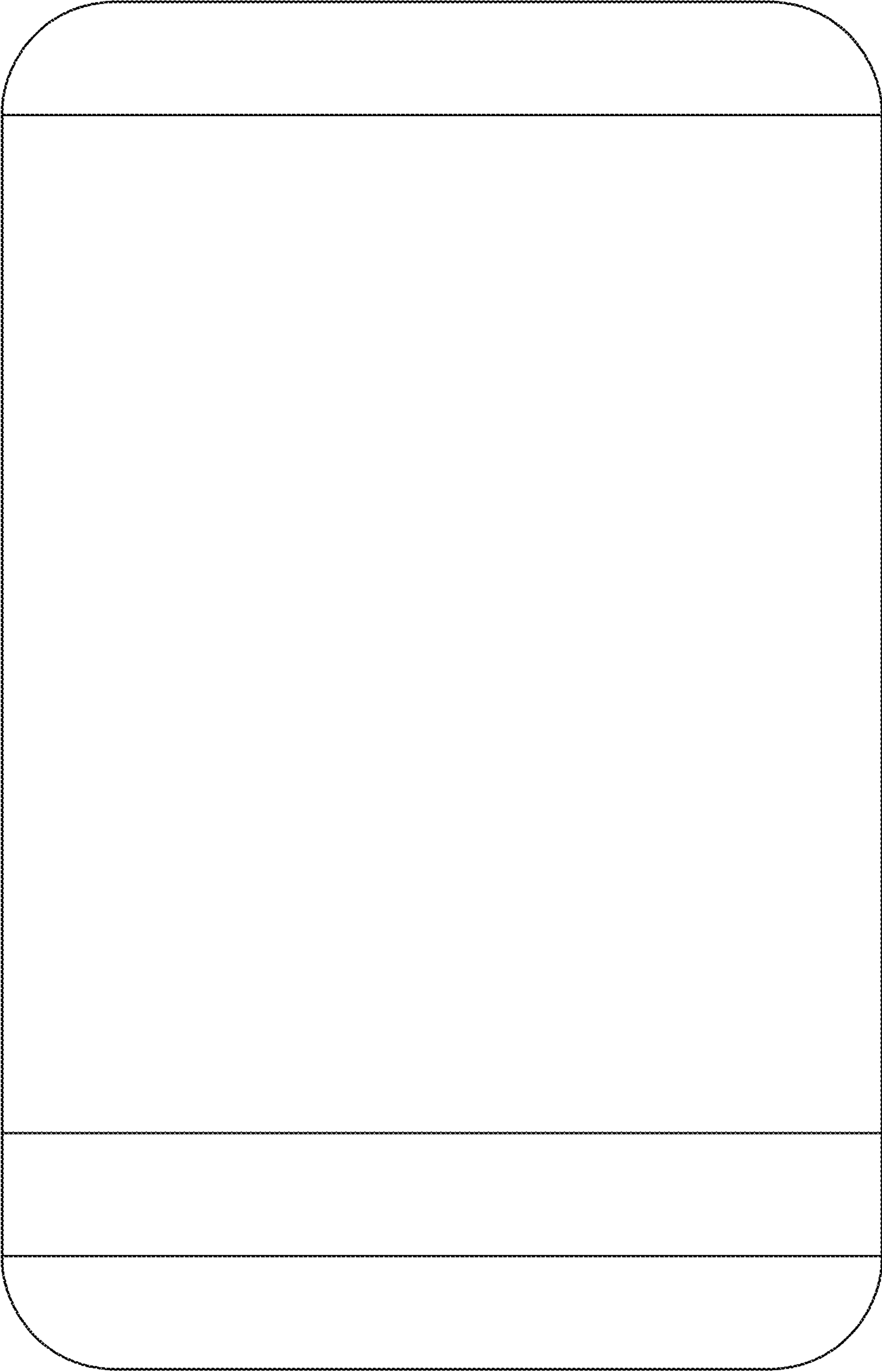


FIG. 2

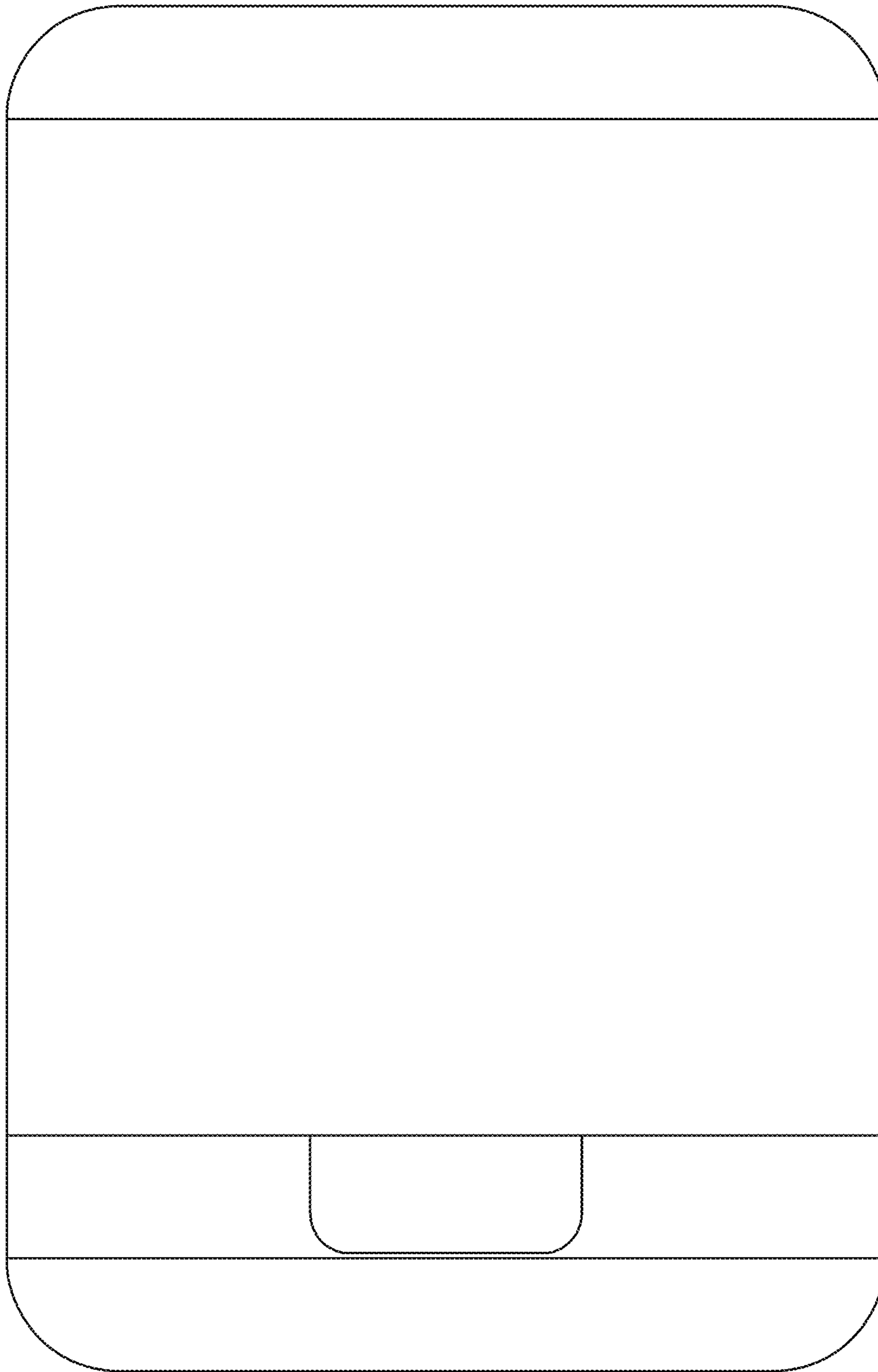


FIG. 3

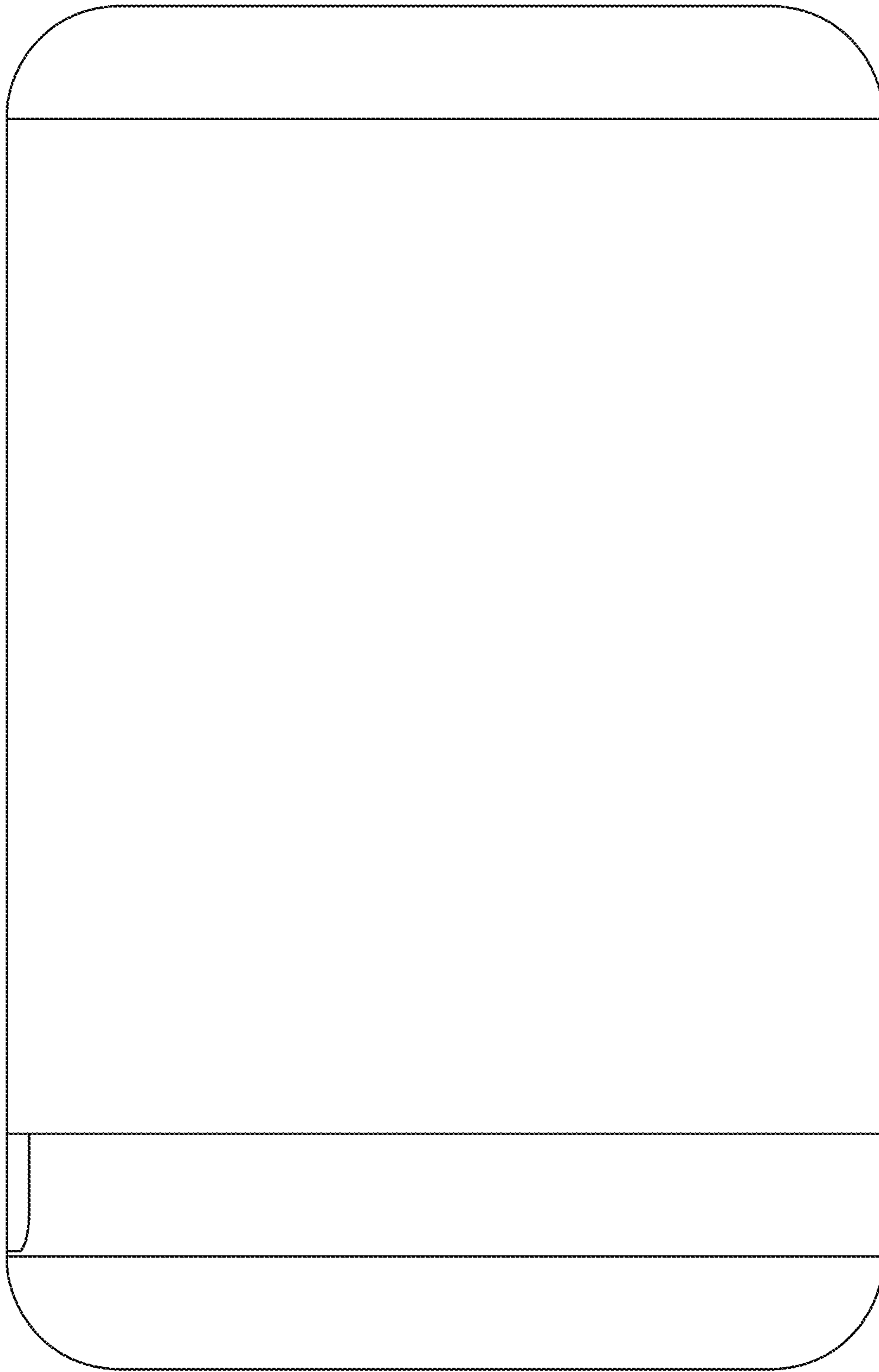


FIG. 4



FIG. 5

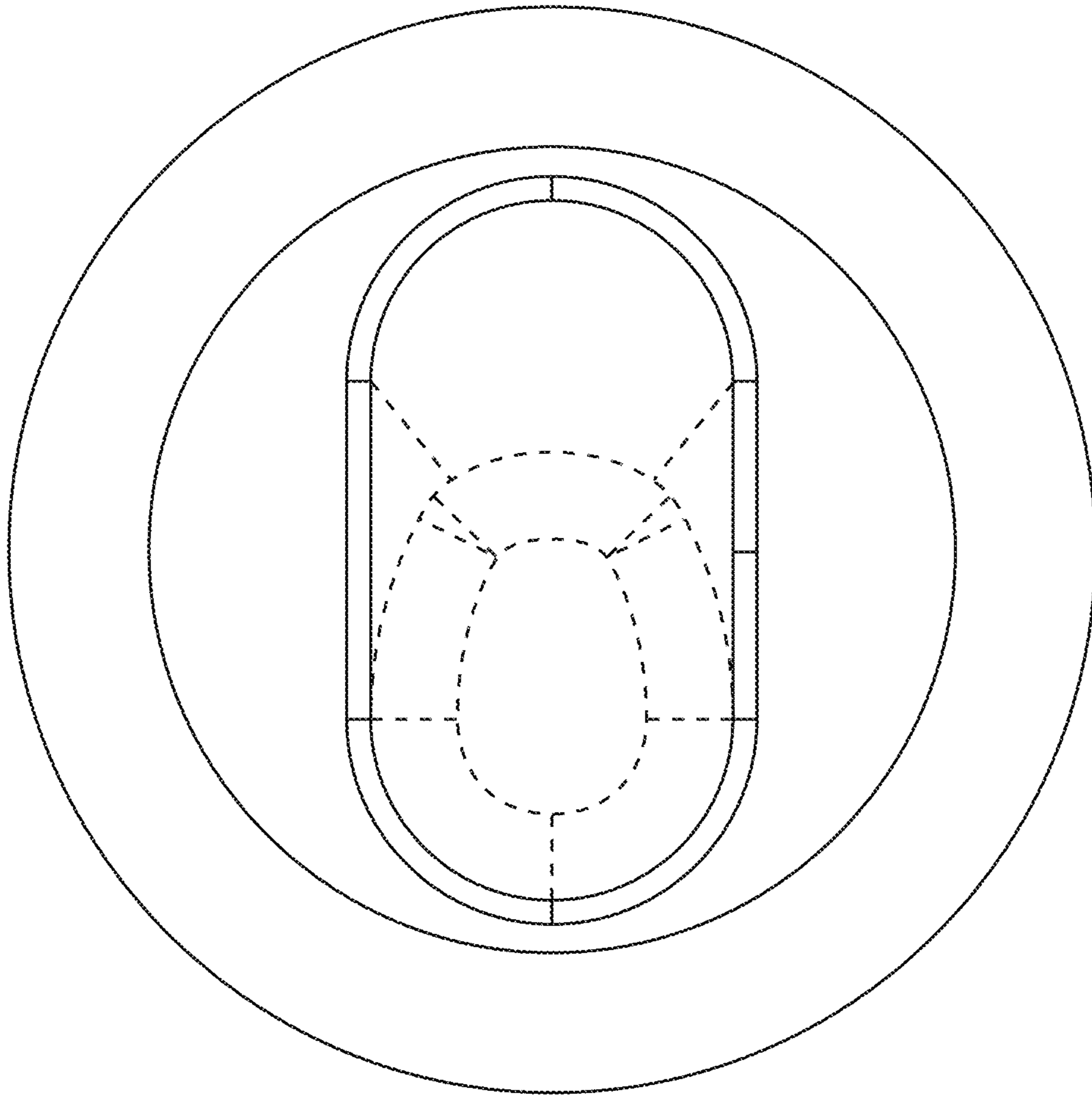


FIG. 6

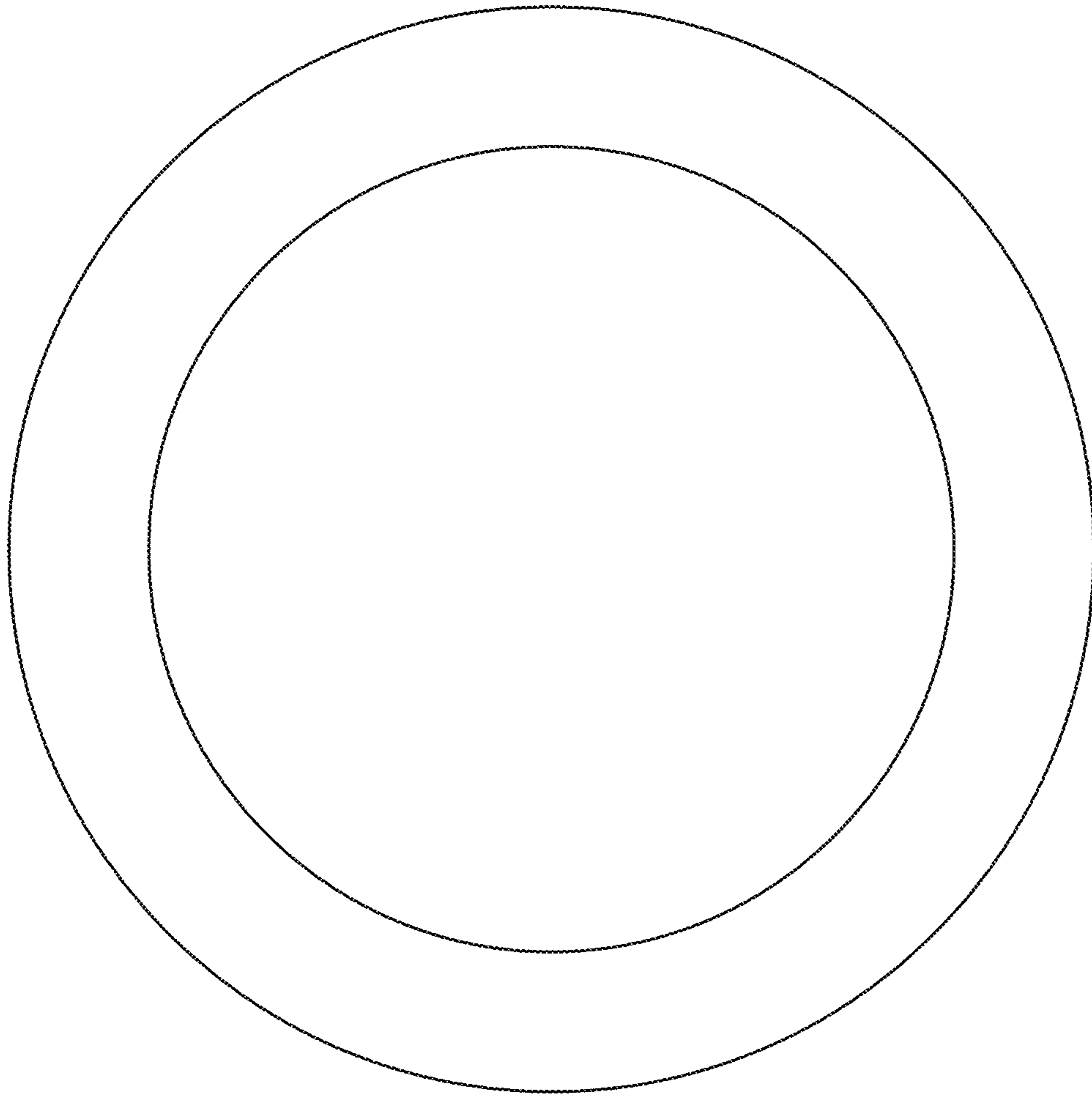


FIG. 7

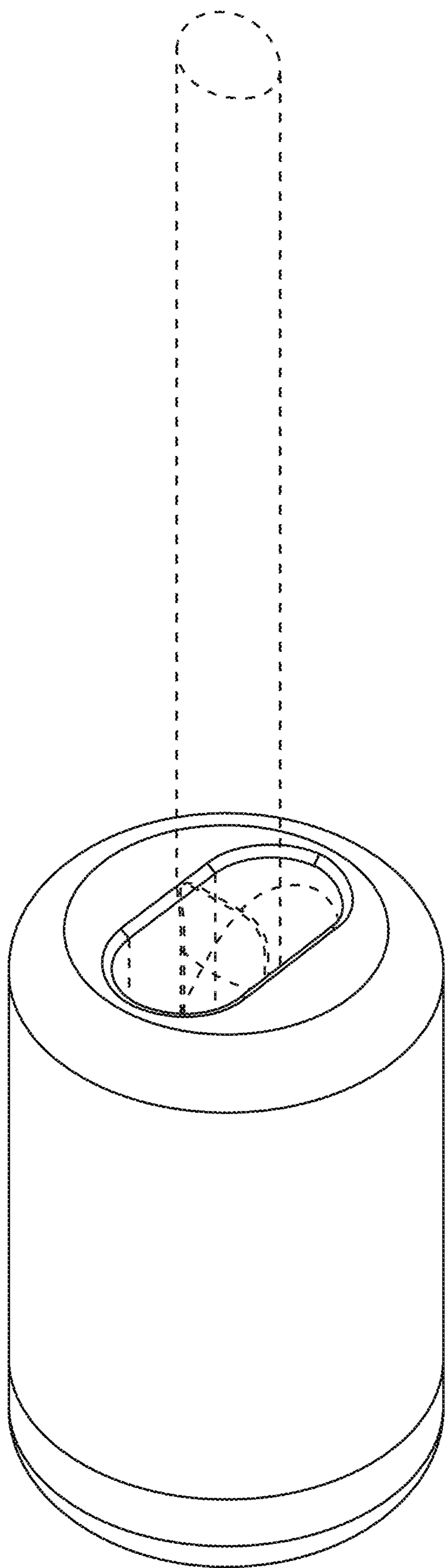


FIG. 8