



US00D881405S

(12) **United States Design Patent**
Hussey et al.

(10) **Patent No.:** **US D881,405 S**
(45) **Date of Patent:** **** Apr. 14, 2020**

(54) **ANALYSIS INSTRUMENT**
(71) Applicant: **Talis Biomedical Corporation**, Menlo Park, CA (US)
(72) Inventors: **Lance Gordon Hussey**, Thousand Oaks, CA (US); **Michael John McAdams**, Los Gatos, CA (US); **Sobha Pisharody**, Castro Valley, CA (US); **Marc Valer Serra**, Menlo Park, CA (US); **Shushuo Wu**, Rancho Santa Margarita, CA (US)

D705,943 S * 5/2014 Chang D24/216
D716,470 S * 10/2014 Nelsen D24/107
D731,662 S * 6/2015 Khan D24/186
D759,254 S * 6/2016 Knieriem D24/186
D765,257 S * 8/2016 Marzynski D24/186
D774,205 S * 12/2016 Grace D24/169
D796,050 S * 8/2017 Nishikawa D24/186
D830,210 S * 10/2018 Ihara D10/81
D835,283 S * 12/2018 Barker D24/186
D836,212 S * 12/2018 Diener D24/232
2019/0022648 A1* 1/2019 Kim B01L 7/00

(73) Assignee: **Talis Biomedical Corporation**, Menlo Park, CA (US)

Talis, posted at talis.bio, no posting date, online, URL:https://talis.bio/ (Year: 2019).*

(**) Term: **15 Years**

* cited by examiner

(21) Appl. No.: **29/667,651**

Primary Examiner — Barbara Fox

(22) Filed: **Oct. 23, 2018**

Assistant Examiner — Mary Shannon Malley

(51) **LOC (12) Cl.** **24-01**

(74) *Attorney, Agent, or Firm* — Shay Glenn LLP

(52) **U.S. Cl.**
USPC **D24/216**

(57) **CLAIM**

(58) **Field of Classification Search**
USPC D24/186, 107–108, 169, 216–219,
D24/223–225, 229–233; D10/81
CPC Y10S 436/806; Y10S 436/809; Y10S
977/918; B01D 15/3804; B01D 15/10;
B01D 15/3809; B01D 15/3857; B01L
2300/0867; B01L 7/52; G06K 9/00127;
G01N 33/53; G01N 2035/00306; G01N
2035/00326; G01N 2035/00336; G01N
2035/00366

The ornamental design for an analysis instrument, as shown and described.

See application file for complete search history.

DESCRIPTION

(56) **References Cited**

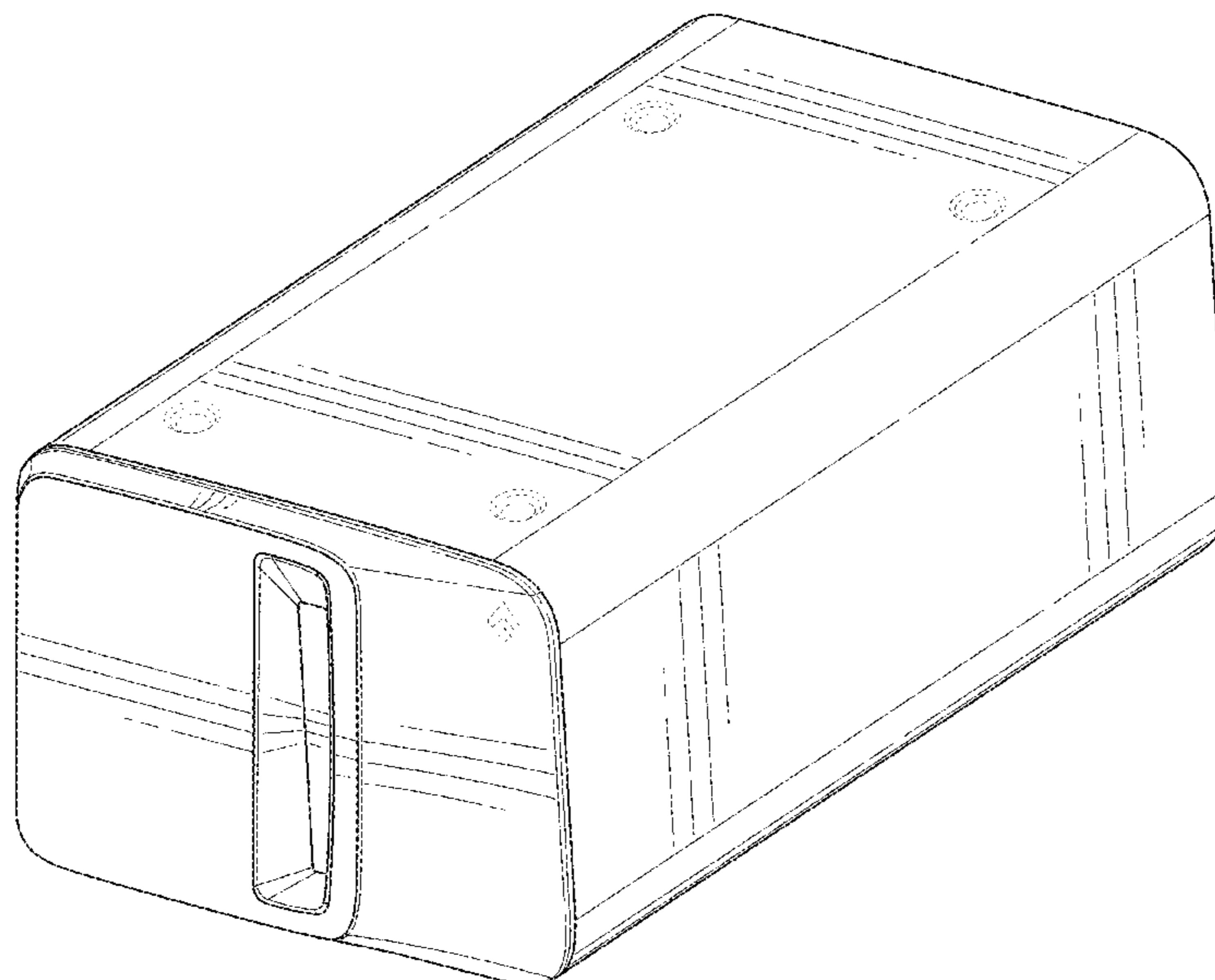
FIG. 1 is a front, top, and right perspective view of an analysis instrument;
FIG. 2 is a rear, bottom, and left perspective thereof;
FIG. 3 is a front view thereof;
FIG. 4 is a rear view thereof;
FIG. 5 is a left view thereof;
FIG. 6 is a right view thereof;
FIG. 7 is a top view thereof; and,
FIG. 8 is a bottom view thereof.

U.S. PATENT DOCUMENTS

The broken lines depict portions of the analysis instrument that form no part of the claimed design.

D549,827 S * 8/2007 Maeno D24/169
D698,925 S * 2/2014 Marzynski D24/186

1 Claim, 8 Drawing Sheets



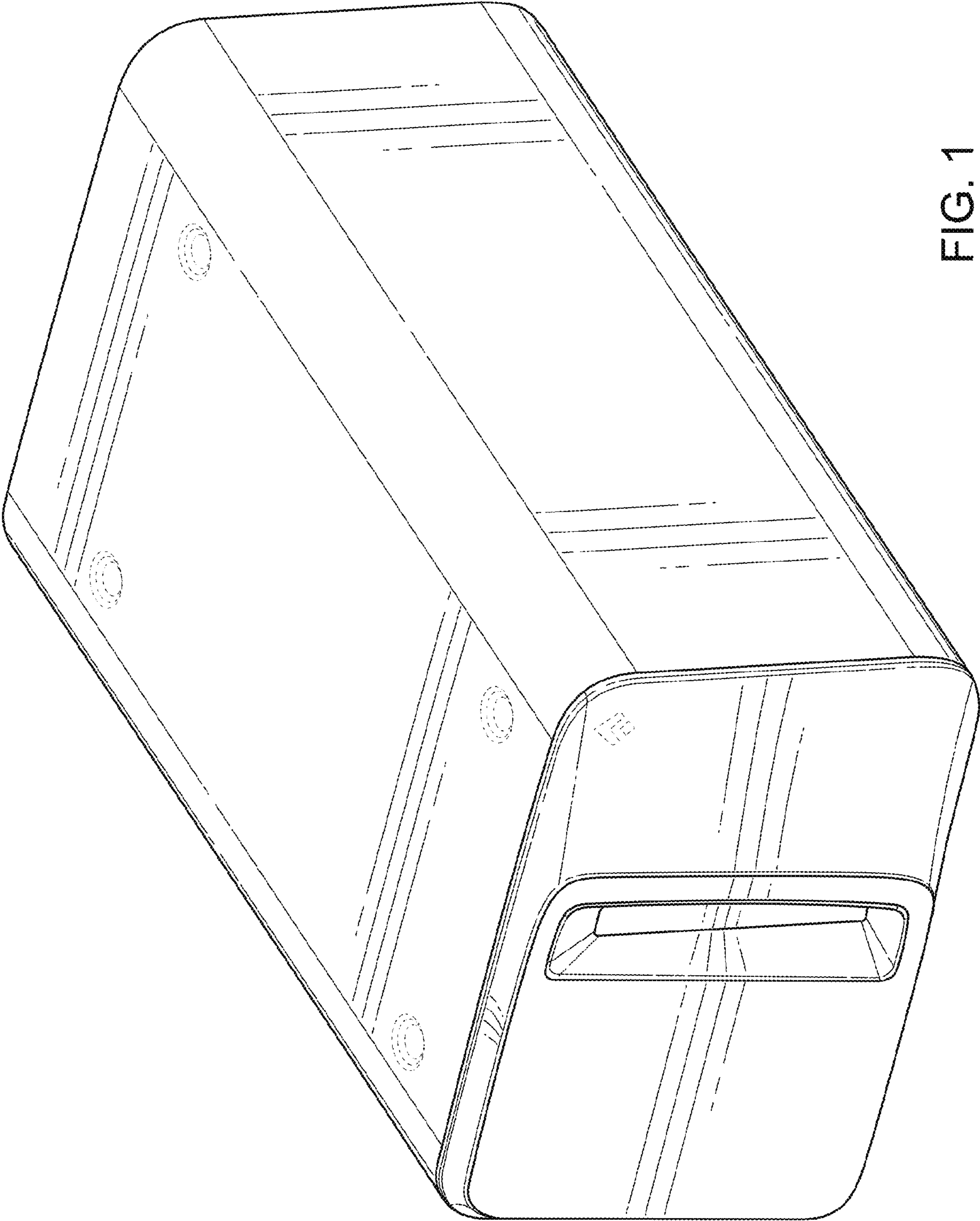


FIG. 1

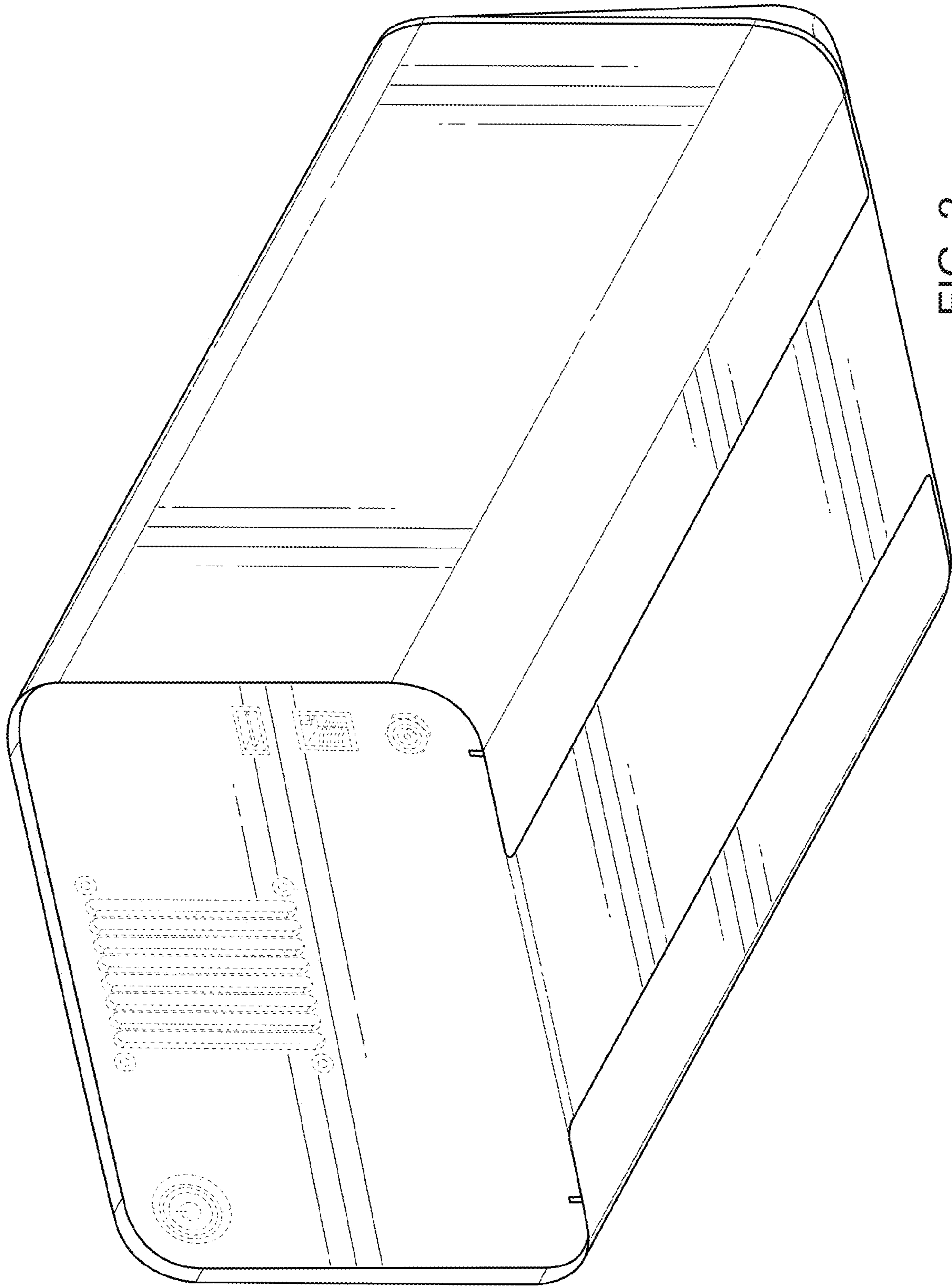


FIG. 2

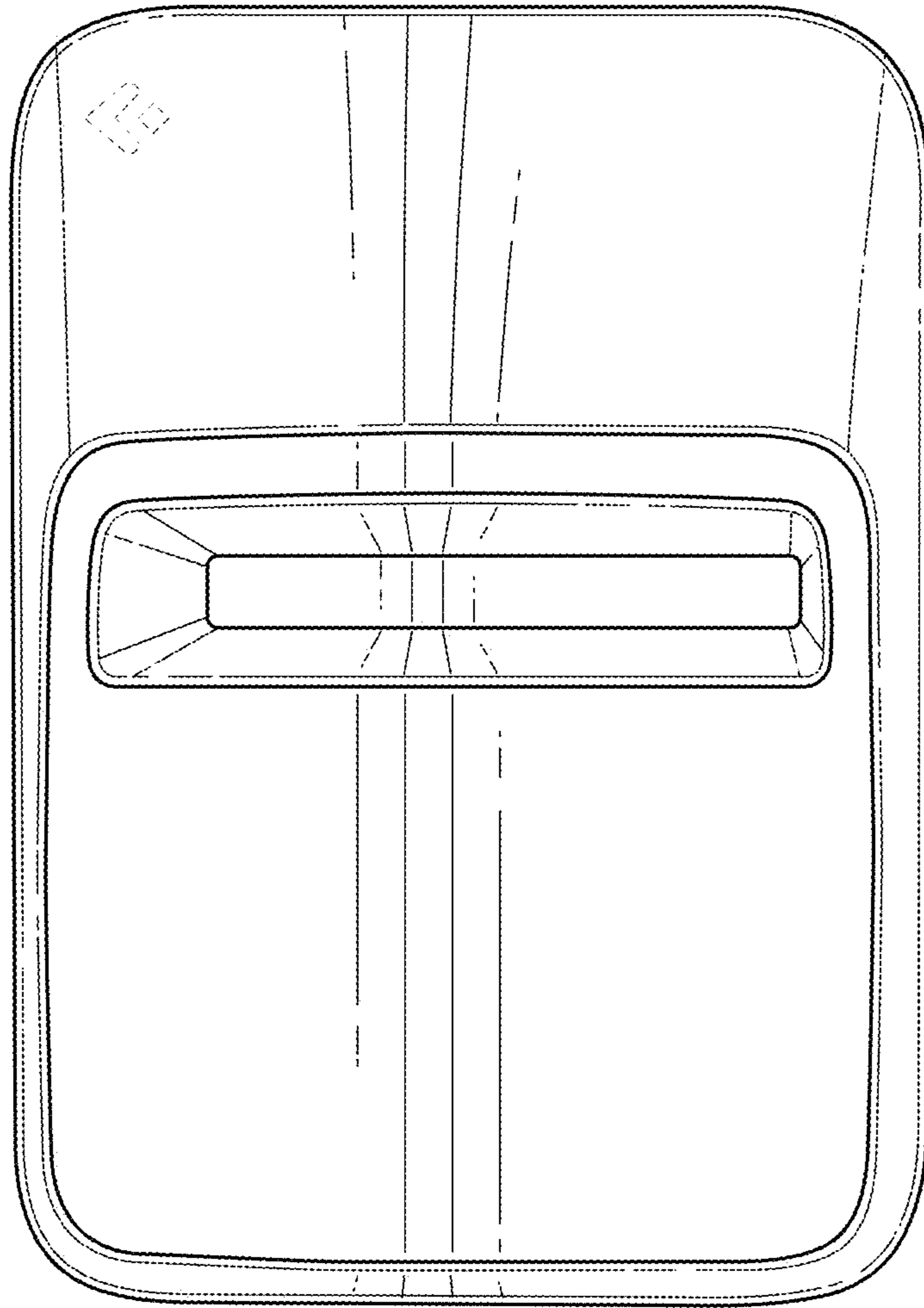


FIG. 3

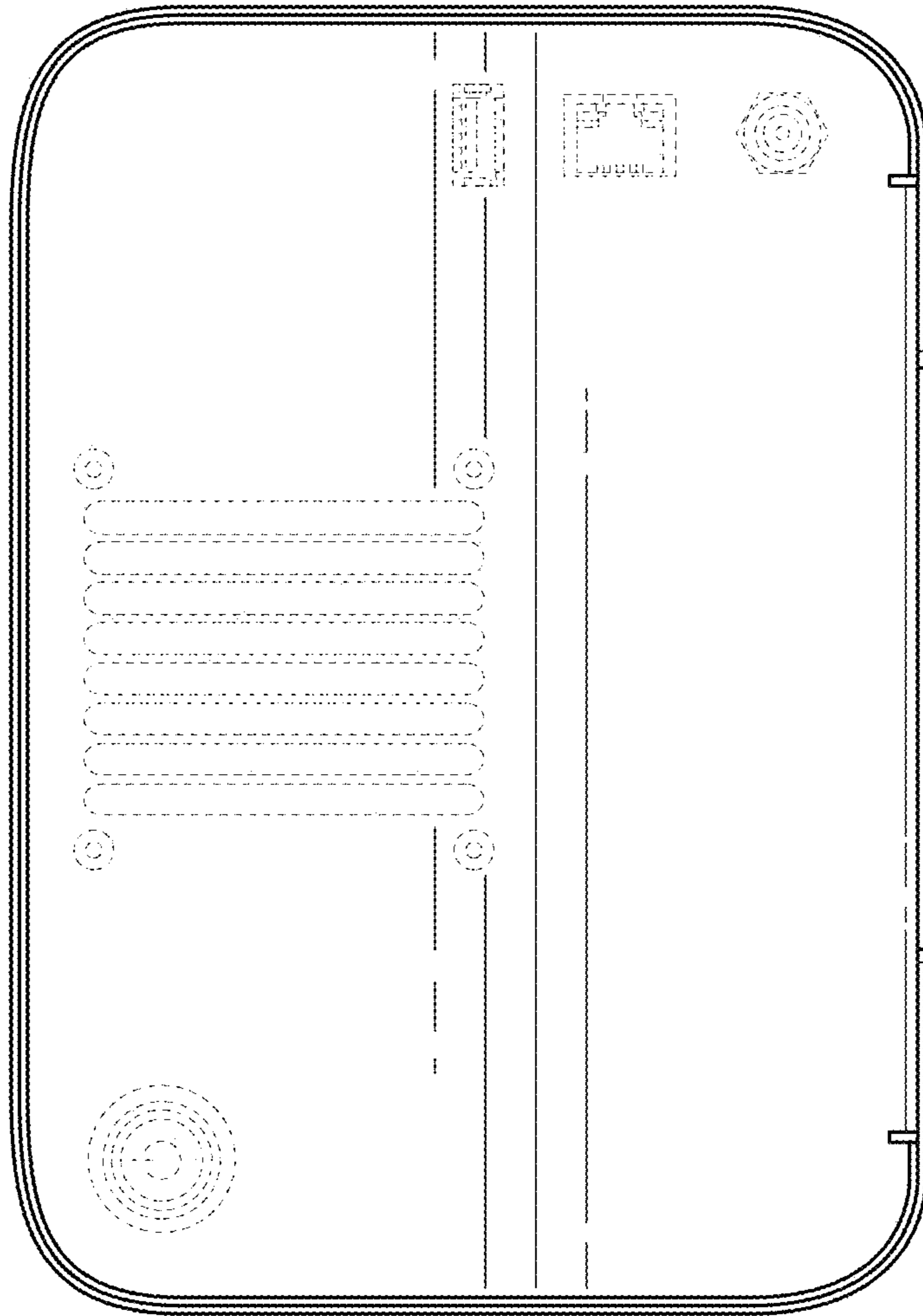


FIG. 4

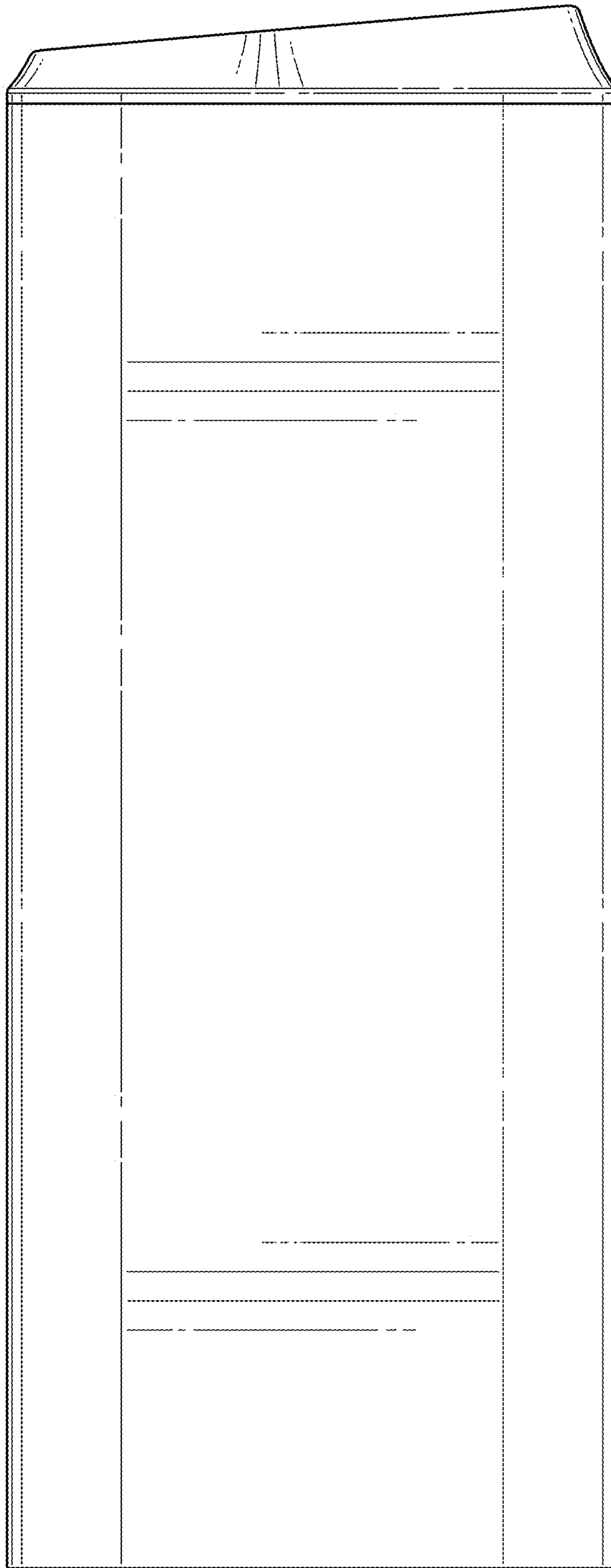


FIG. 5

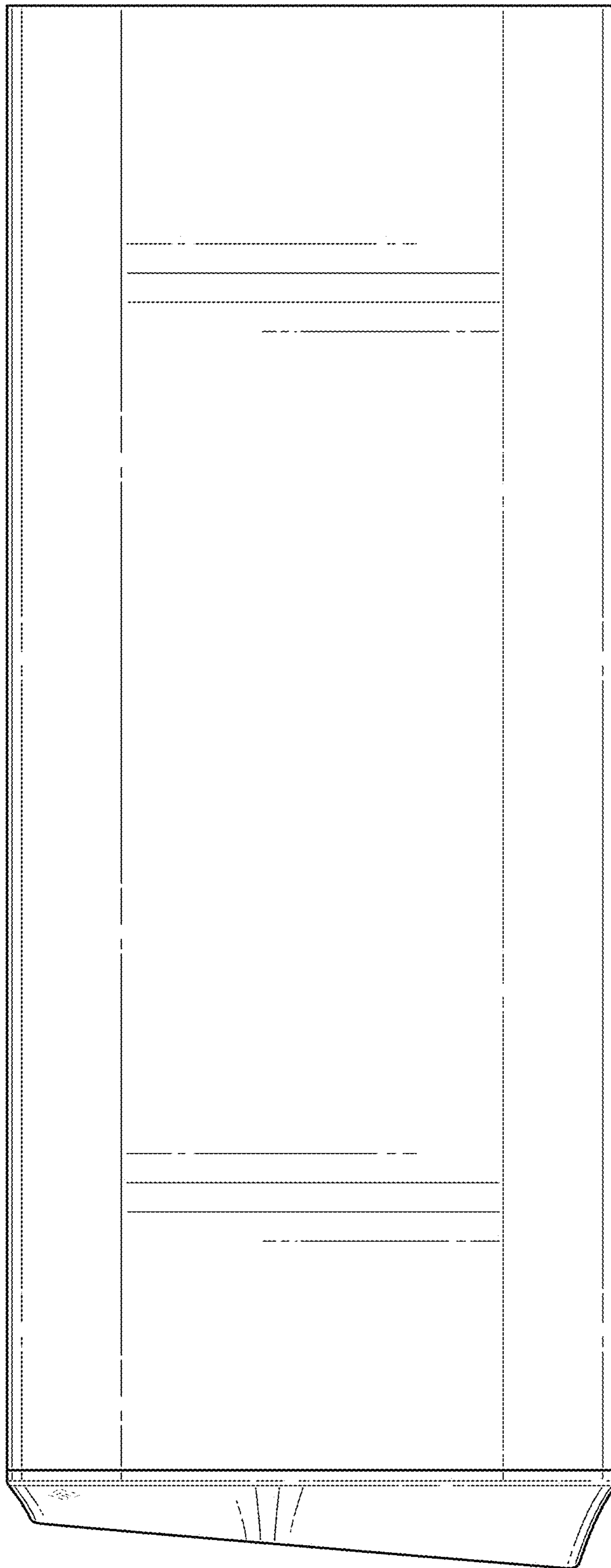


FIG. 6

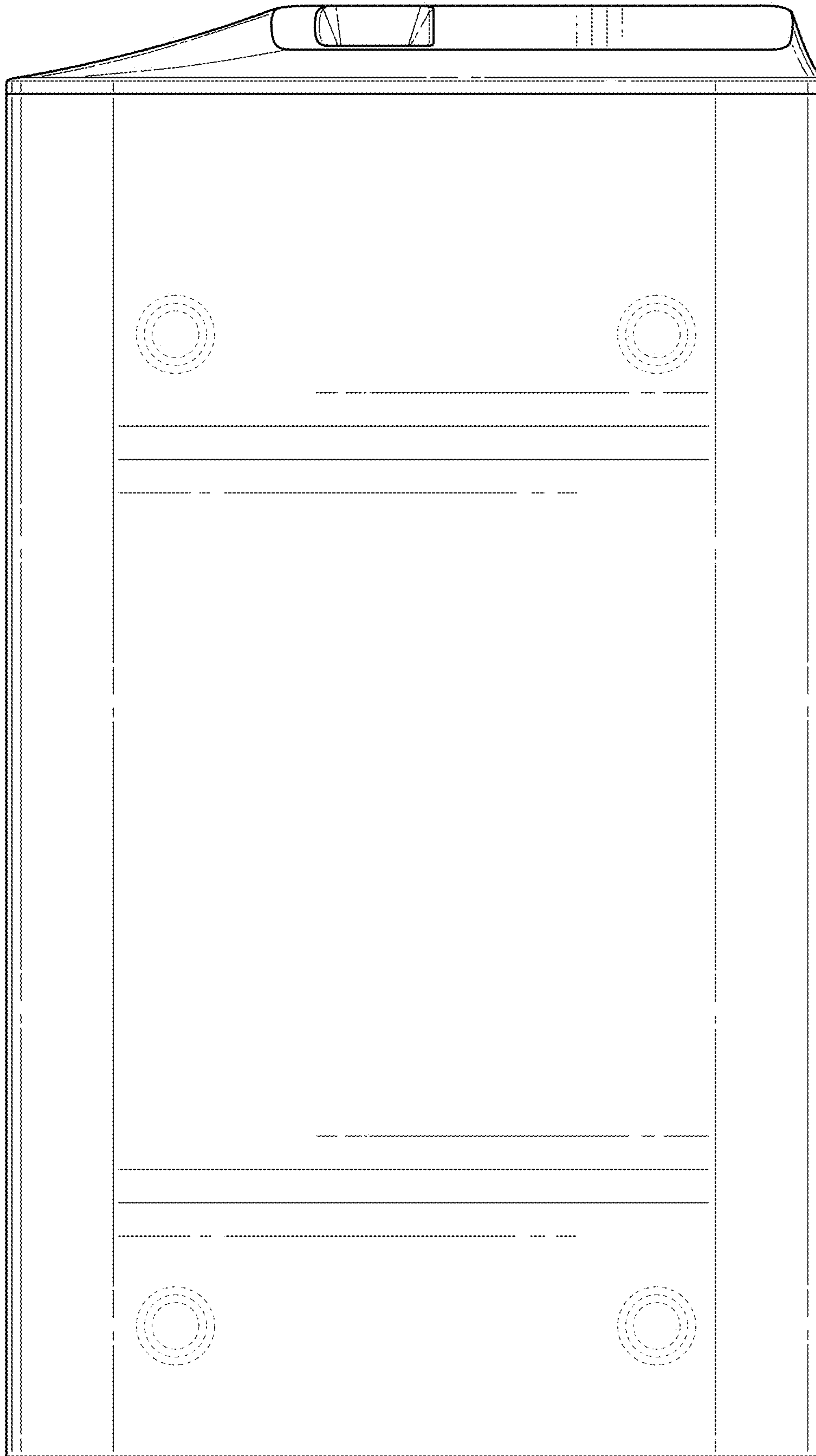


FIG. 7

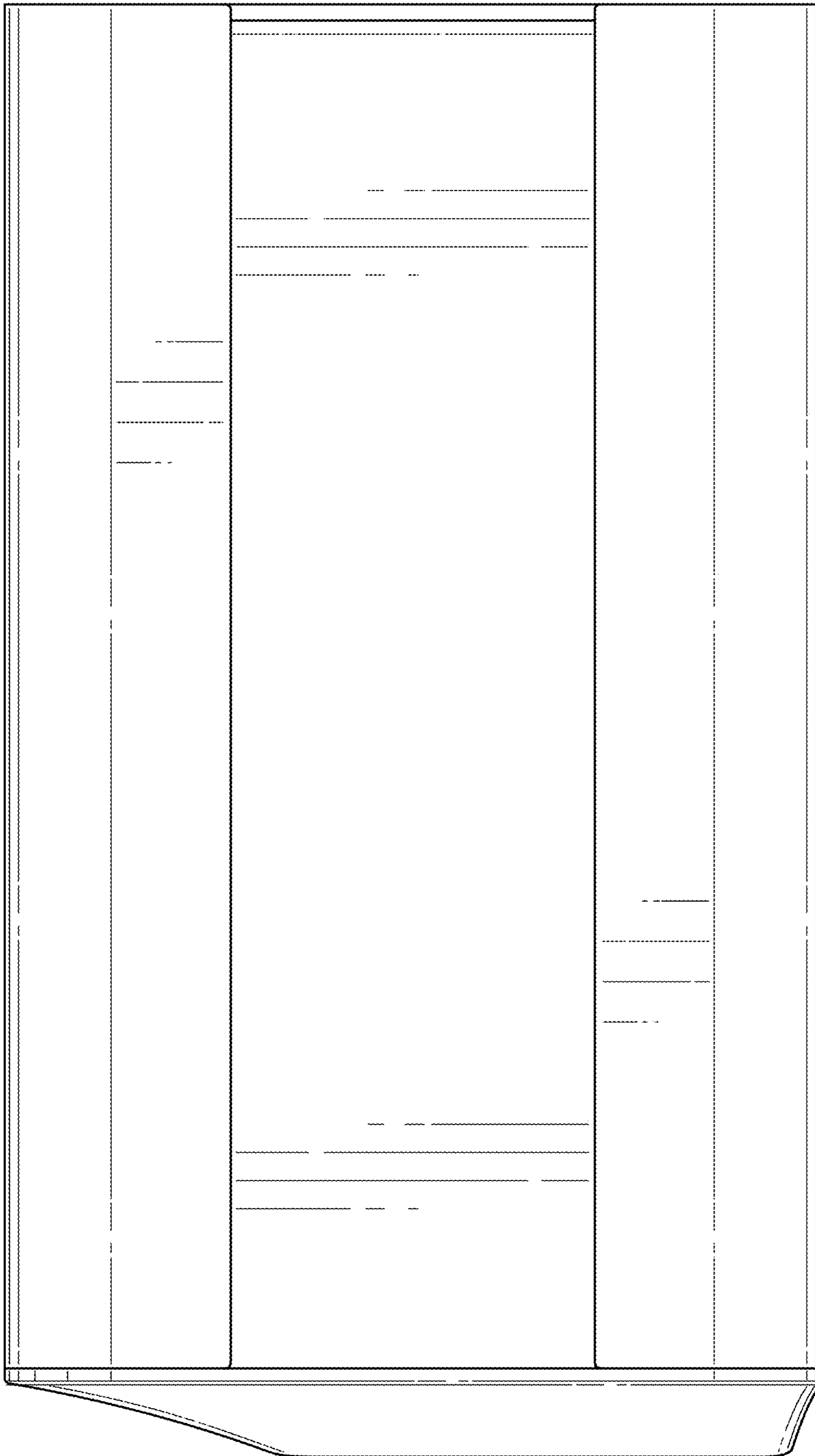


FIG. 8