



US00D881403S

(12) **United States Design Patent**  
**Dawson**

(10) **Patent No.:** **US D881,403 S**

(45) **Date of Patent:** **\*\* Apr. 14, 2020**

(54) **KNEE PAD**

(71) Applicant: **David A. Dawson**, Westminster, CO  
(US)

(72) Inventor: **David A. Dawson**, Westminster, CO  
(US)

(\*\*) Term: **15 Years**

(21) Appl. No.: **29/619,209**

(22) Filed: **Sep. 27, 2017**

**Related U.S. Application Data**

(62) Division of application No. 29/550,760, filed on Jan. 6, 2016, now Pat. No. Des. 800,327.

(51) **LOC (12) Cl.** ..... **24-01**

(52) **U.S. Cl.**  
USPC ..... **D24/190**

(58) **Field of Classification Search**  
USPC ..... D24/189, 145, 190–192; D29/121.1  
CPC ..... A61F 13/0203; A61F 13/023; A61F  
13/0276; A61F 2013/00846; A61F  
13/0246; A61F 15/001; A61F  
2013/00604; A61F 13/022; A61F  
13/0259; A61L 15/58; A61L 15/26

See application file for complete search history.

(56) **References Cited**

**U.S. PATENT DOCUMENTS**

D619,267 S *	7/2010	Beckwith .....	D24/190
D634,437 S *	3/2011	Gramza .....	D24/190
D654,182 S *	2/2012	Chiang .....	D24/190
D800,323 S *	10/2017	Cox .....	D24/190
D800,324 S *	10/2017	Cox .....	D24/190

D800,326 S *	10/2017	Cox .....	D24/190
D800,327 S *	10/2017	Dawson .....	D24/190
D802,154 S *	11/2017	Ceccarelli .....	D24/190
D804,680 S *	12/2017	Bledsoe .....	D24/190
D818,595 S *	5/2018	Bledsoe .....	D24/190
2005/0020951 A1 *	1/2005	Gaylord .....	A61F 5/0109 602/26
2011/0009795 A1 *	1/2011	Graham .....	A61F 13/085 602/75
2013/0245523 A1 *	9/2013	Romo .....	A61F 5/0125 602/16
2015/0073317 A1 *	3/2015	Cox .....	A61F 5/30 601/84

\* cited by examiner

*Primary Examiner* — Jennifer L Watkins

(74) *Attorney, Agent, or Firm* — FisherBroyles, LLP;  
Thomas J. Osborne, Jr.

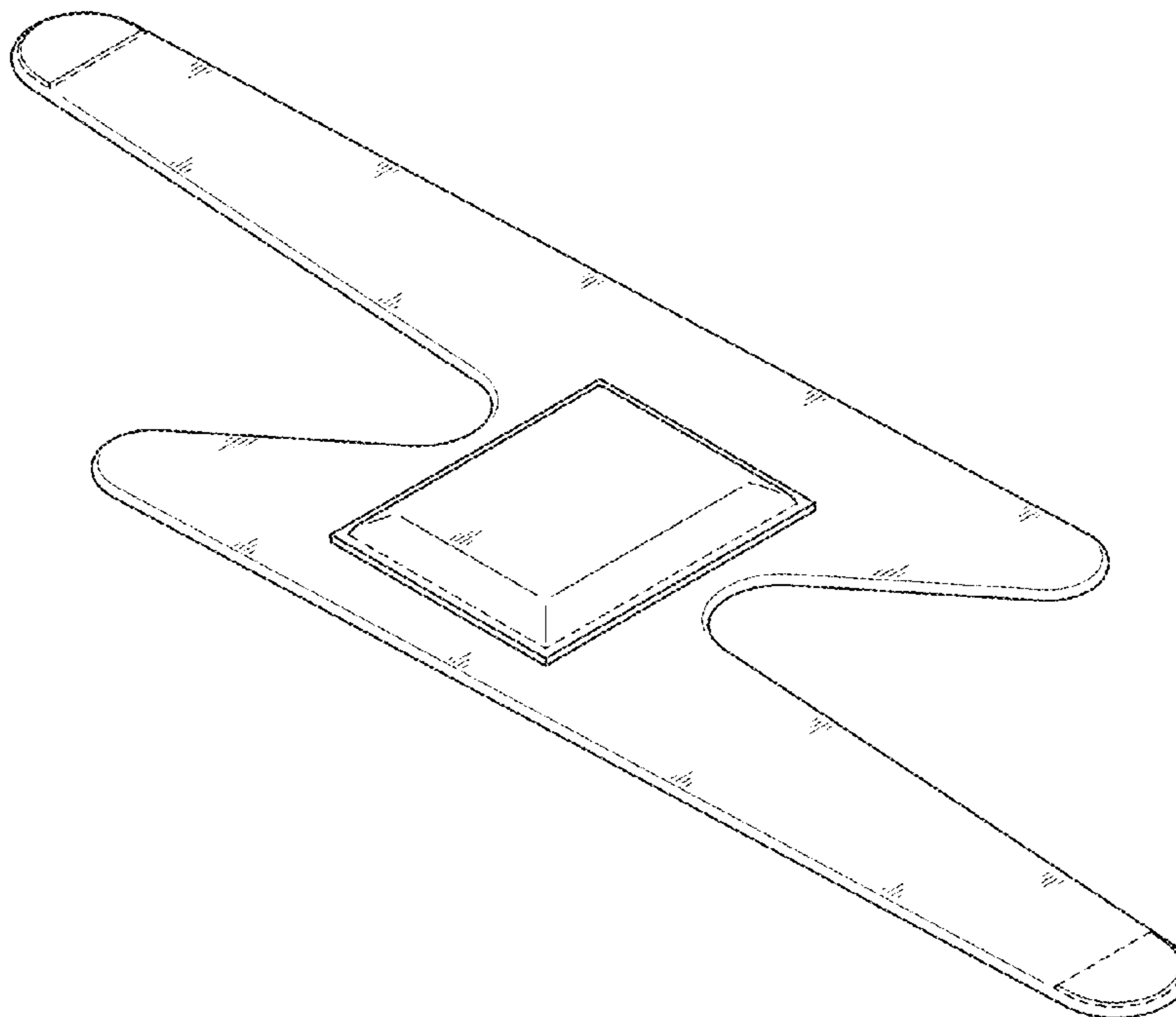
(57) **CLAIM**

I claim the ornamental design for a knee pad, substantially as shown and described.

**DESCRIPTION**

FIG. 1 is a top perspective view of a knee pad.  
FIG. 2 is a front elevation view of the knee pad of FIG. 1.  
FIG. 3 is a rear elevation view of the knee pad of FIG. 1.  
FIG. 4 is a left side elevation view of the knee pad of FIG. 1.  
FIG. 5 is a right side elevation view of the knee pad of FIG. 1.  
FIG. 6 is a top plan view of the knee pad of FIG. 1; and,  
FIG. 7 is a bottom plan view of the knee pad of FIG. 1.  
The broken lines in the drawings are for purposes of illustrating stitching and form no part of the claim.

**1 Claim, 3 Drawing Sheets**



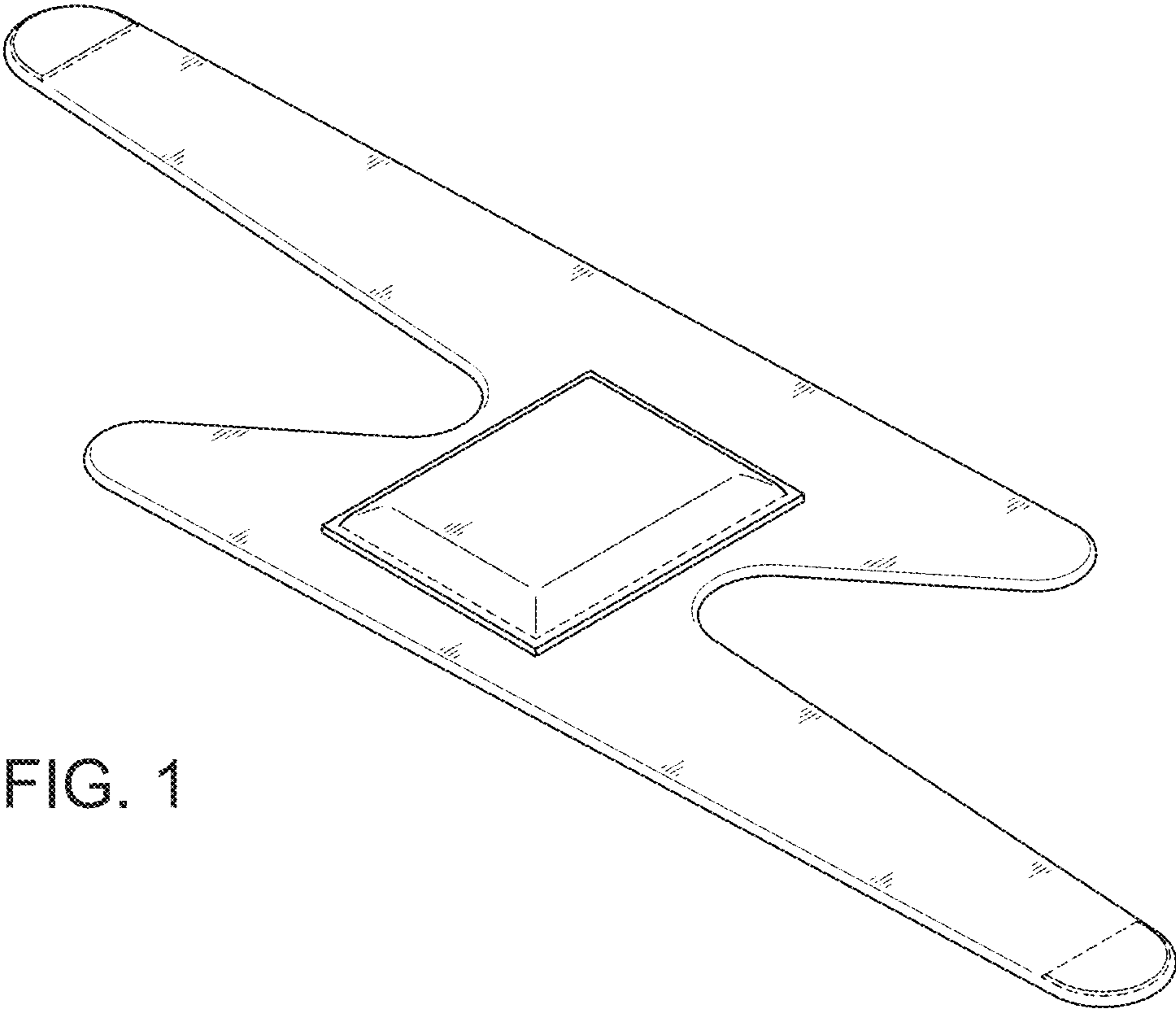


FIG. 1

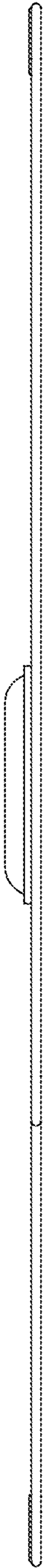


FIG. 2

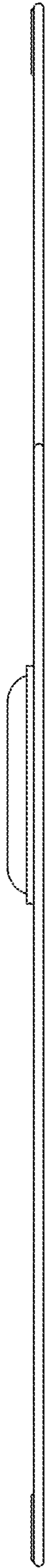


FIG. 3

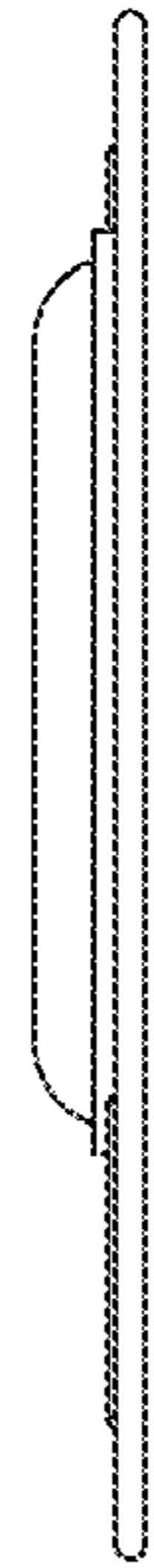


FIG. 4

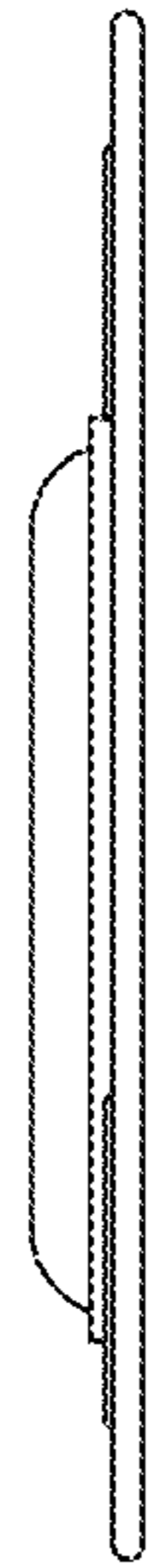


FIG. 5

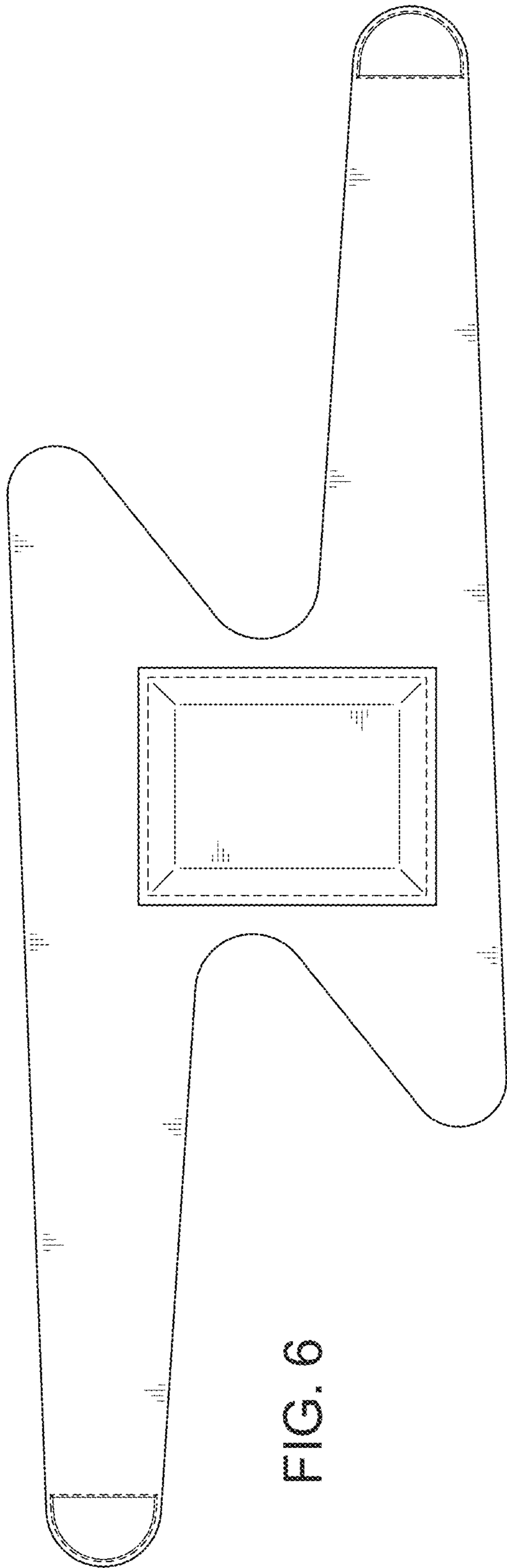


FIG. 6

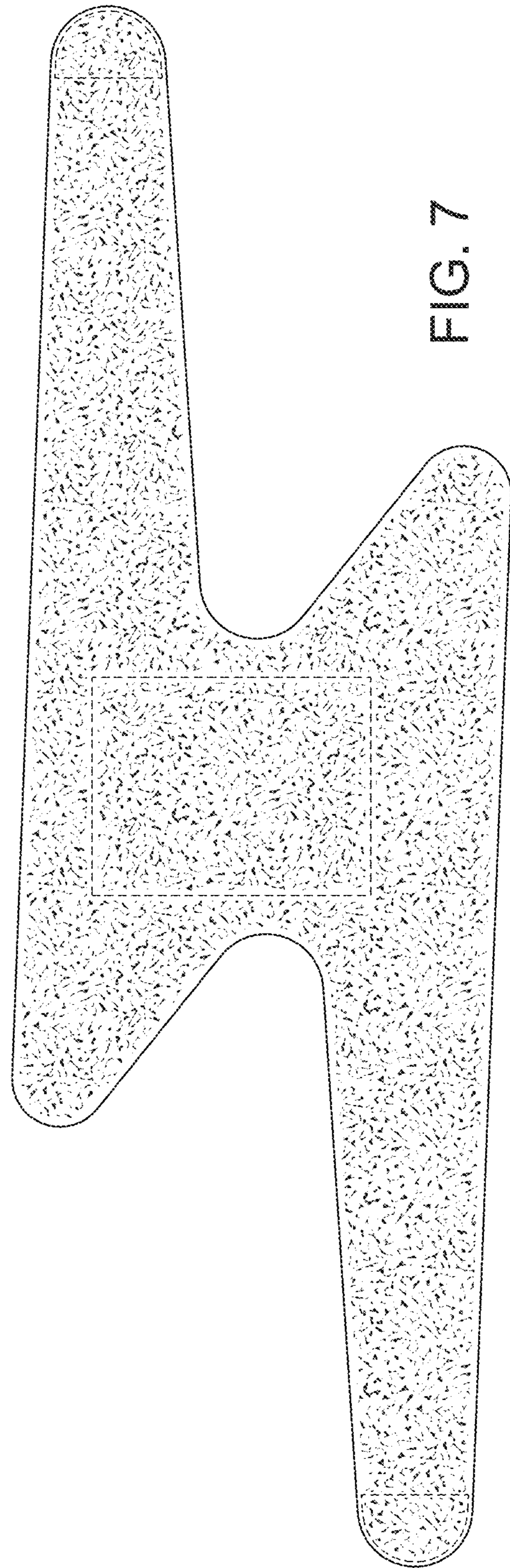


FIG. 7