



US00D881401S

(12) **United States Design Patent**  
**Burns**

(10) **Patent No.:** **US D881,401 S**

(45) **Date of Patent:** **\*\* Apr. 14, 2020**

(54) **SHOULDER THERAPY DEVICE**  
(71) Applicant: **Robbin Burns**, Gold Bar, WA (US)  
(72) Inventor: **Robbin Burns**, Gold Bar, WA (US)  
(\*\*) Term: **15 Years**

D715,499 S \* 10/2014 Schaede ..... D29/120.1  
D742,021 S \* 10/2015 Labuschagne ..... D24/200  
D745,677 S \* 12/2015 Sigurdsson ..... D24/155  
D768,308 S \* 10/2016 Hetzel ..... D24/214  
D770,055 S \* 10/2016 Sedic ..... D24/215  
D818,130 S \* 5/2018 Jacobson ..... D24/188  
D821,600 S \* 6/2018 Chang ..... D24/215

(21) Appl. No.: **29/644,276**  
(22) Filed: **Apr. 16, 2018**  
(51) **LOC (12) Cl.** ..... **24-04**  
(52) **U.S. Cl.**  
USPC ..... **D24/188**  
(58) **Field of Classification Search**  
USPC ..... D24/155, 188–192, 199, 200, 206,  
D24/212–215; D29/100, 101.1–101.5,  
D29/103, 106, 108, 111, 120.1, 121.1,  
D29/121.2, 122, 124; D28/14, 26, 35,  
D28/37; D7/697  
CPC ..... A41D 13/0512  
See application file for complete search history.

**OTHER PUBLICATIONS**

Alibaba. Oceanus Radial Shock Wave Therapy Device for Frozen shoulder/Painful shoulder. No date specified. [https://www.alibaba.com/product-detail/Oceanus-Radial-Shock-Wave-Therapy-Device\\_60575601638.html](https://www.alibaba.com/product-detail/Oceanus-Radial-Shock-Wave-Therapy-Device_60575601638.html) (Year: 0).\*

(Continued)

*Primary Examiner* — Darcey E Gottschalk  
(74) *Attorney, Agent, or Firm* — Seed IP Law Group LLP

(57) **CLAIM**

The ornamental design for a shoulder therapy device, as shown and described.

**DESCRIPTION**

FIG. 1 is an isometric view of a shoulder therapy device showing my new design from one perspective.

FIG. 2 is an isometric view thereof from another perspective.

FIG. 3 is a top plan view thereof.

FIG. 4 is a bottom plan view thereof.

FIG. 5 is a front elevational view thereof.

FIG. 6 is a rear elevational view thereof.

FIG. 7 is a left side elevational view thereof; and,

FIG. 8 is a right side elevational view thereof.

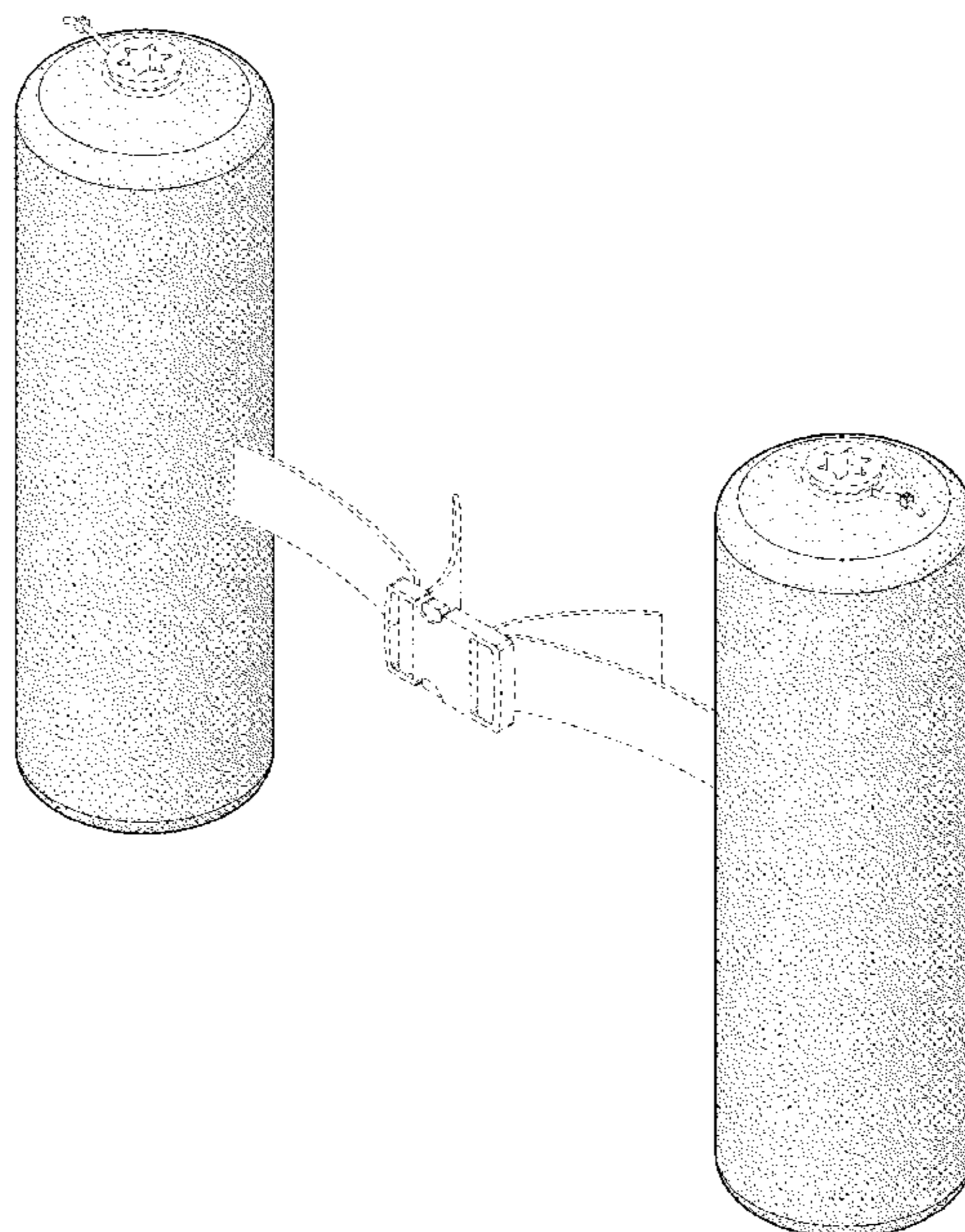
Stippling and tangency lines shown in the drawings are intended to represent the three-dimensional contours of the design, and are not intended to indicate surface decoration. In the drawings, the broken lines show portions of a shoulder therapy device that form no part of the claimed design.

(56) **References Cited**

**U.S. PATENT DOCUMENTS**

D228,967 S \* 10/1973 Holladay ..... D24/211  
D381,187 S \* 7/1997 Butler ..... D2/610  
D451,564 S \* 12/2001 Dean ..... D21/662  
D543,659 S \* 5/2007 Cheung ..... D28/37  
D543,660 S \* 5/2007 Cheung ..... D28/37  
D592,313 S \* 5/2009 Levine ..... D24/214  
D639,442 S \* 6/2011 Chandler ..... A45D 44/22  
D24/190  
D648,862 S \* 11/2011 Yen ..... D24/215  
D674,906 S \* 1/2013 Matsuura ..... D24/215  
D674,907 S \* 1/2013 Matsuura ..... D24/215  
D674,908 S \* 1/2013 Matsuura ..... D24/215  
D674,909 S \* 1/2013 Matsuura ..... D24/215  
D675,331 S \* 1/2013 Matsuura ..... D24/215  
D697,209 S \* 1/2014 Walthall, Jr. .... D24/155

**1 Claim, 6 Drawing Sheets**



(56)

**References Cited**

OTHER PUBLICATIONS

Wiki How. How to Do Tricks With Nunchucks. Jun. 5, 2019.

<https://www.wikihow.com/Do-Tricks-With-Nunchucks> (Year: 2019).\*

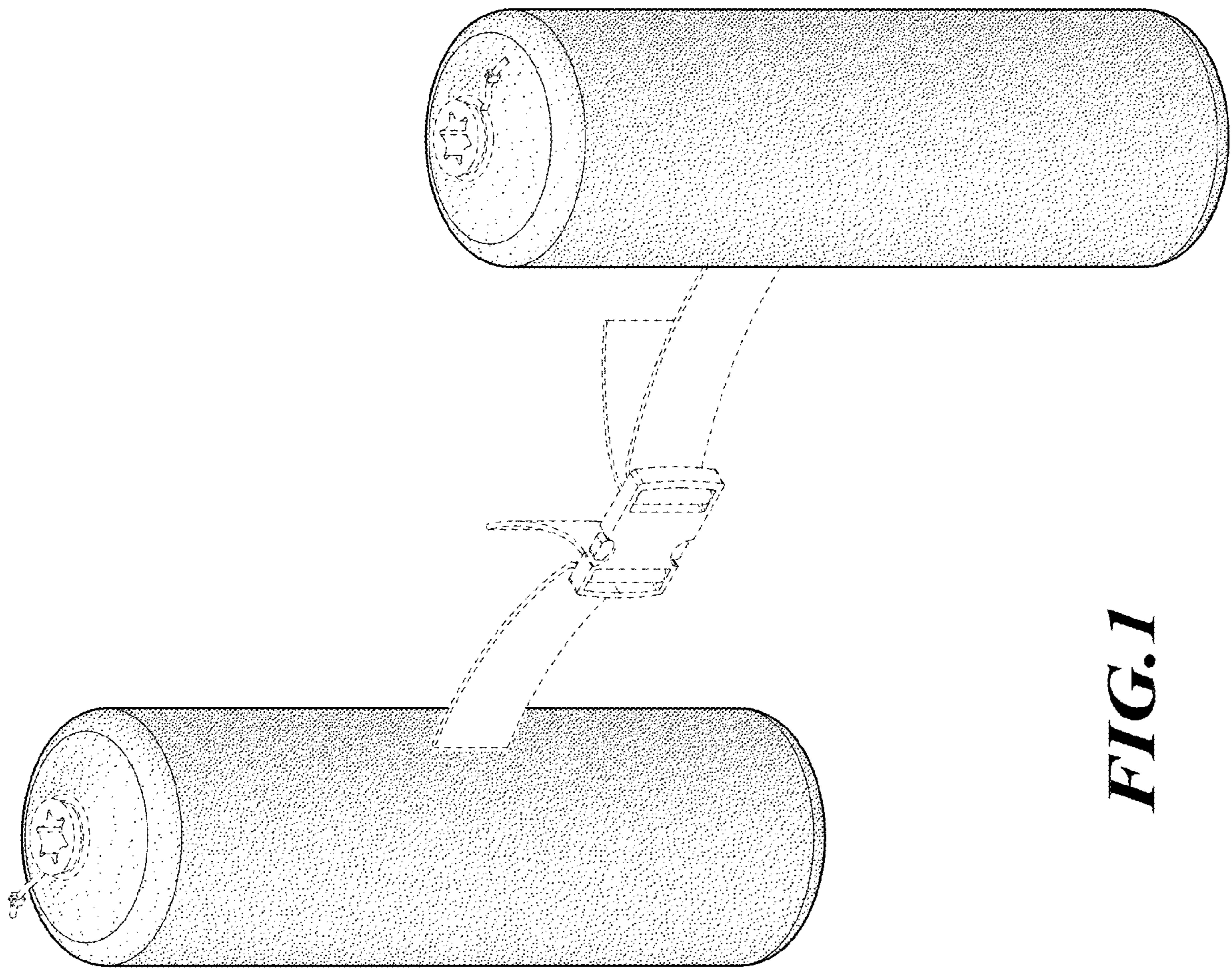
Ideaing. Tangram Factory Smart Rope. No date specified. <https://ideaing.com/product/tangram-factory-smart-rope-led-ennbeded-jump-rope>

(Year: 0).\*

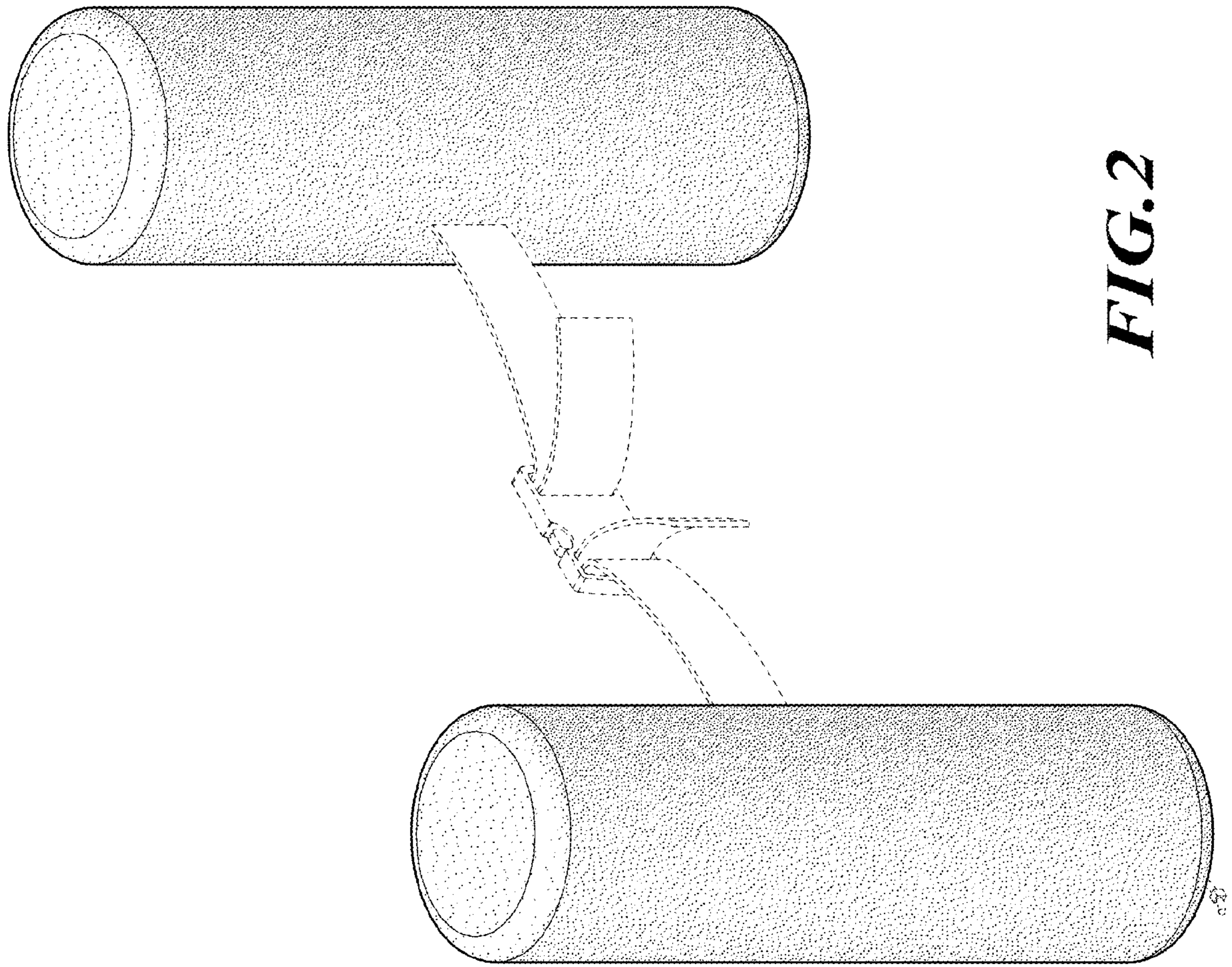
Johnnie Walker RV. batteries. No date specified. <https://www.johnniewalkerrv.com/post-003-jwrv-camping-tips-tricks-1-the-right-tools-for-rv-camping/7275/batteries/>

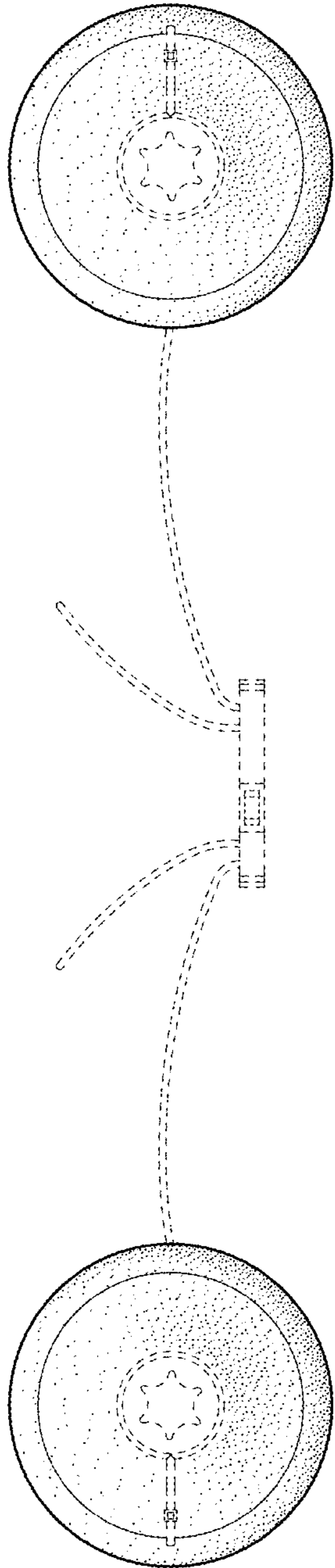
(Year: 0).\*

\* cited by examiner

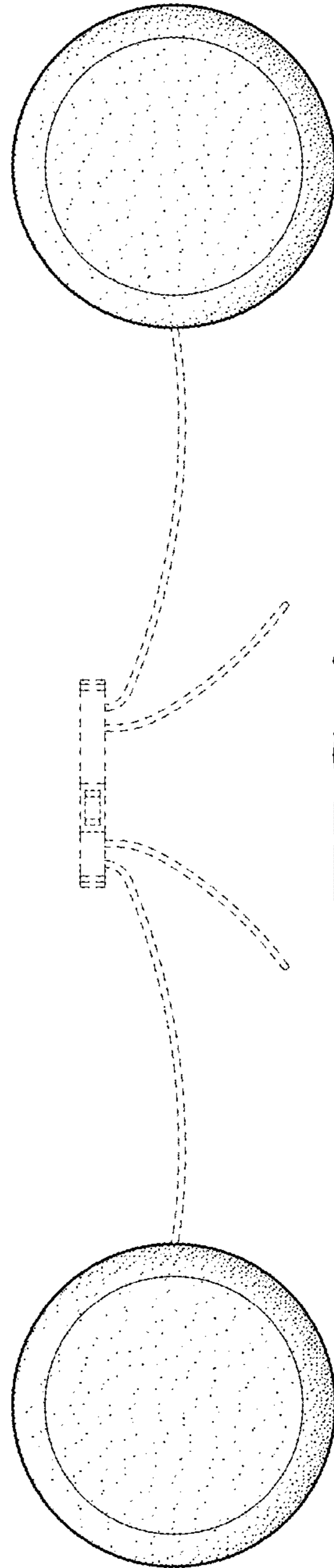


**FIG. 1**

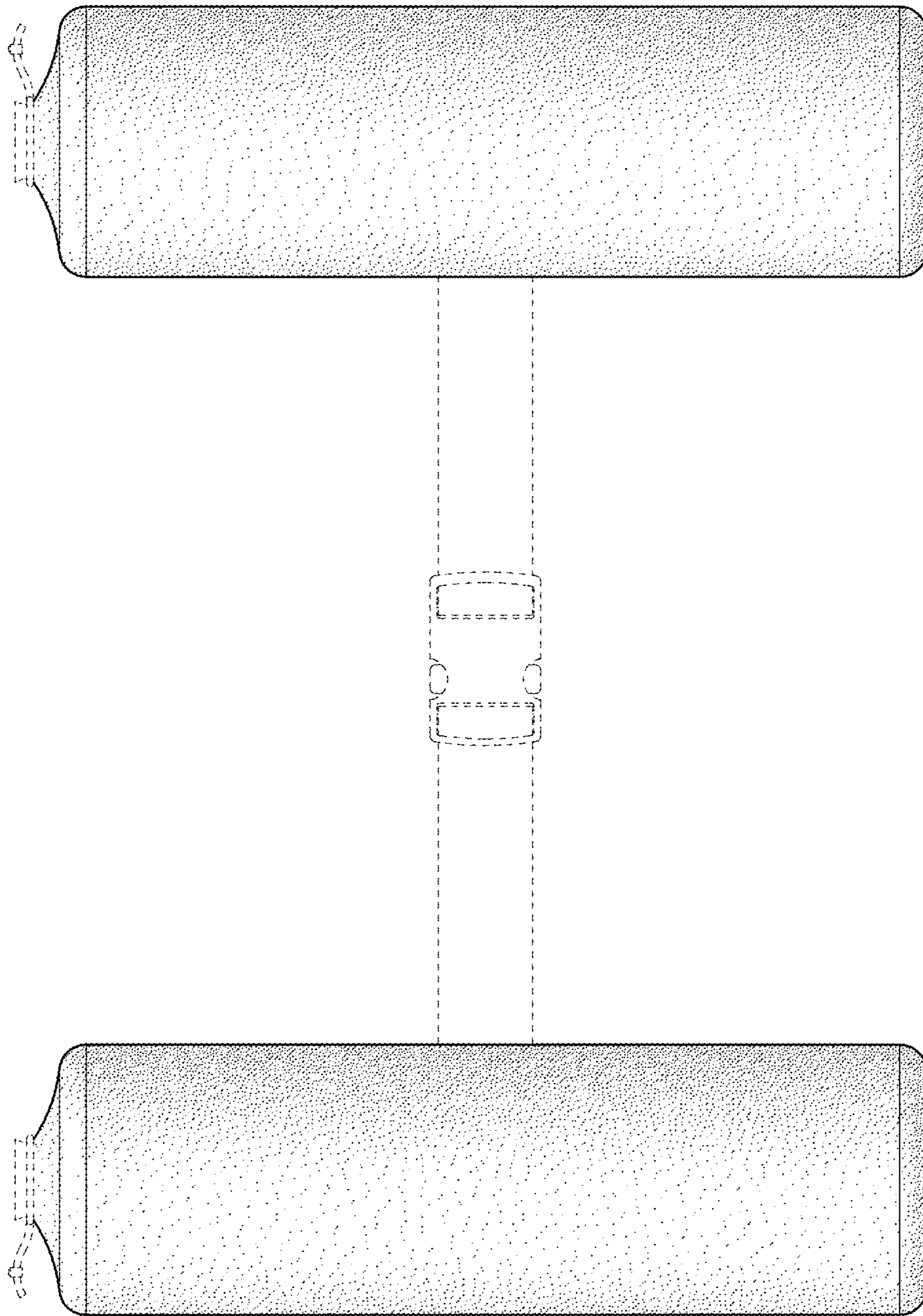




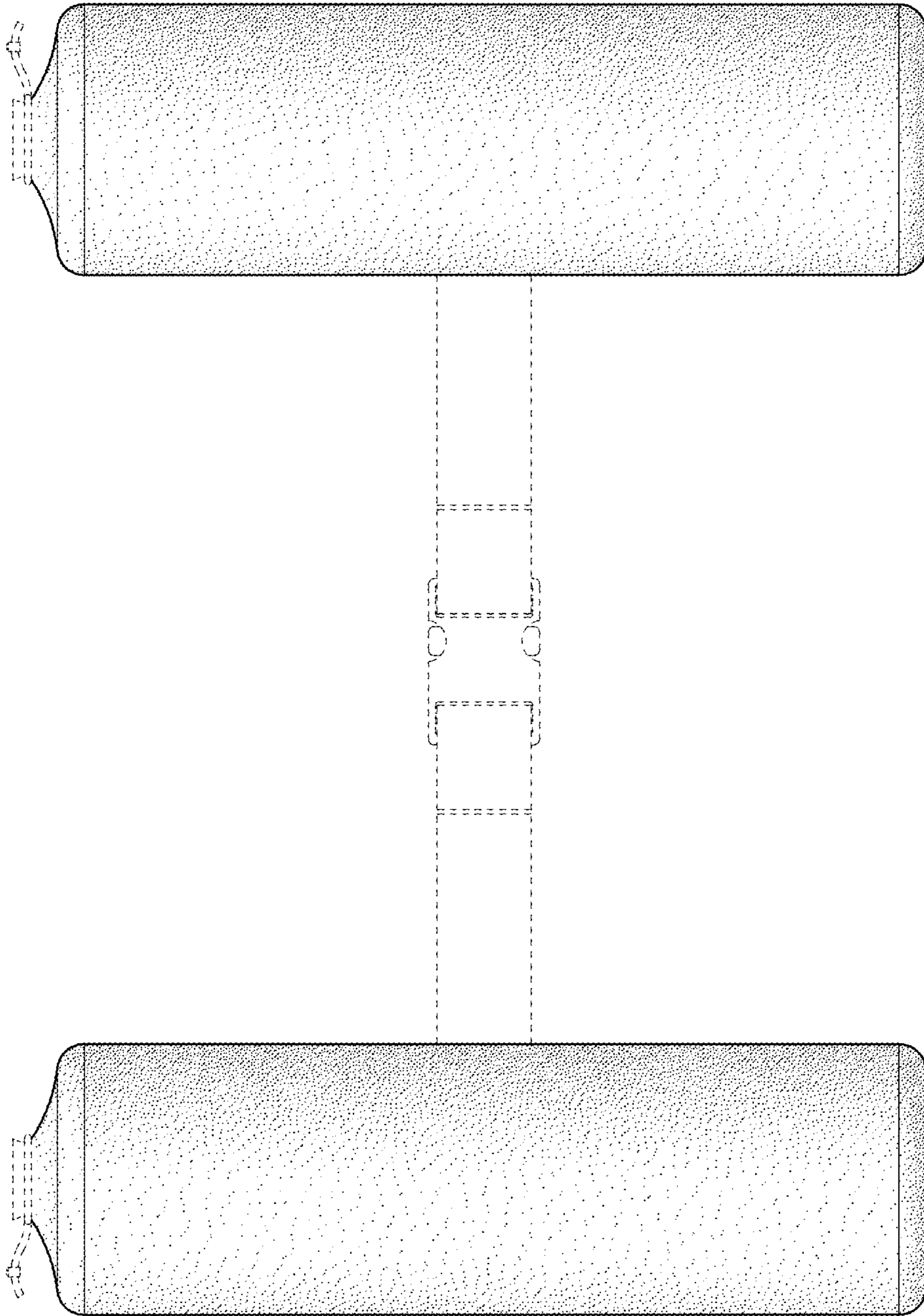
**FIG. 3**



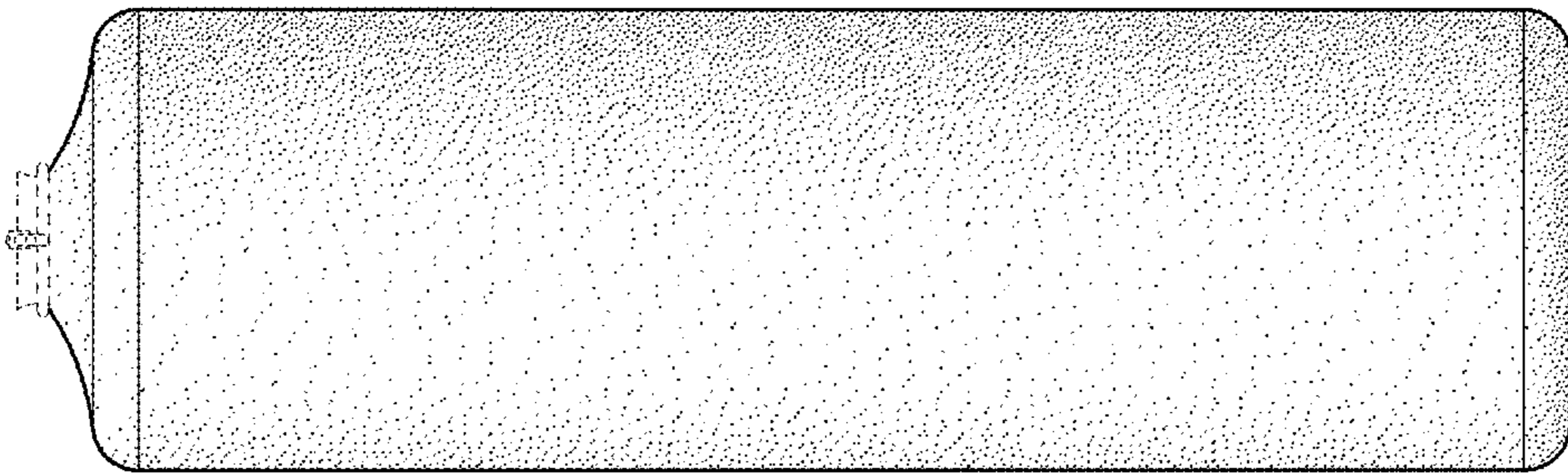
**FIG. 4**



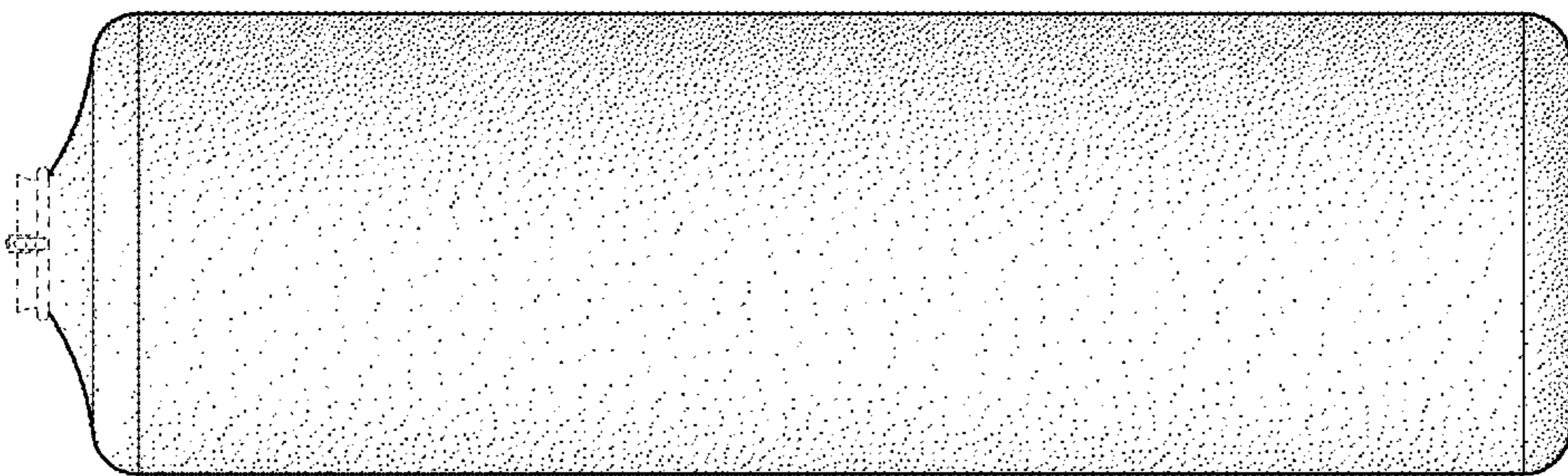
**FIG. 5**



**FIG. 6**



**FIG. 8**



**FIG. 7**