



US00D881400S

(12) **United States Design Patent**  
**Abdul**

(10) **Patent No.:** **US D881,400 S**  
(45) **Date of Patent:** **\*\* Apr. 14, 2020**

(54) **TEETH WHITENING DEVICE**

FOREIGN PATENT DOCUMENTS

(71) Applicant: **InvenTel Products, LLC**, Rockaway, NJ (US)

CN 303999377 \* 4/2016  
KR 300819679.0000 \* 1/2015

(72) Inventor: **Yasir Abdul**, Kinnelon, NJ (US)

OTHER PUBLICATIONS

(\*\*) Term: **15 Years**

Sephora, GLO Lit™ Teeth Whitening Tech Kit—GLO Science. First available on Sephora on May 12, 2011. Retrieved on Aug. 20, 2019. Retrieved from the Internet: [https://www.sephora.com/product/glo-brilliant-teeth-whitening-device-P281835?om\\_mmc=aff-linkshare-redirect-TnL5HPStwNw&c3ch=Linkshare&c3ni...](https://www.sephora.com/product/glo-brilliant-teeth-whitening-device-P281835?om_mmc=aff-linkshare-redirect-TnL5HPStwNw&c3ch=Linkshare&c3ni...)\*

(21) Appl. No.: **29/666,855**

(22) Filed: **Oct. 16, 2018**

(51) **LOC (12) Cl.** ..... **24-02**

\* cited by examiner

(52) **U.S. Cl.**

USPC ..... **D24/181**

*Primary Examiner* — Wan Laymon

(58) **Field of Classification Search**

USPC ..... D24/176–182, 108; D29/108; 433/215, 433/217.1

(74) *Attorney, Agent, or Firm* — Jeffrey Lubin, Esq.

CPC ..... A61C 19/06; A61C 19/063; A61C 19/066; A61N 5/06; A61N 5/0603; A61N 5/0613; A61N 2005/0606

(57) **CLAIM**

The ornamental design for a teeth whitening device, as shown and described.

See application file for complete search history.

**DESCRIPTION**

(56) **References Cited**

U.S. PATENT DOCUMENTS

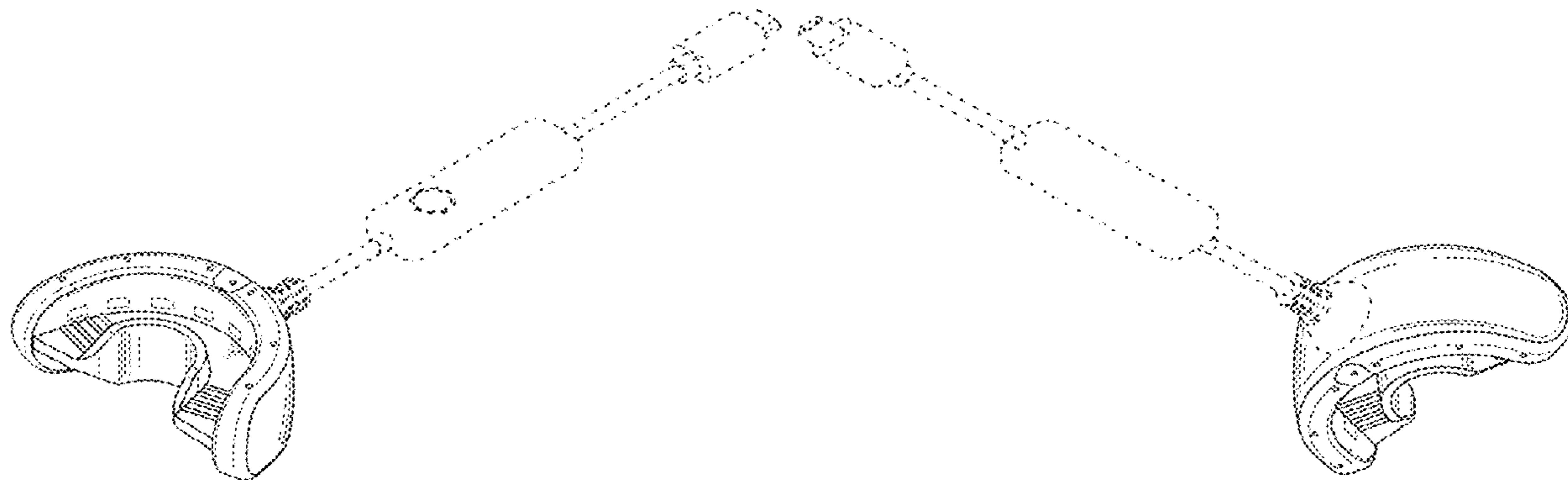
5,460,527 A \* 10/1995 Kittelsen ..... A61C 19/063 433/215  
D438,622 S \* 3/2001 Chang ..... D24/176  
6,382,979 B2 \* 5/2002 Lindquist ..... A61C 19/063 433/215  
D795,439 S \* 8/2017 Mounce ..... D24/181  
10,016,264 B2 \* 7/2018 Otsuka ..... A61C 19/066  
D836,204 S \* 12/2018 Montgomery ..... D24/181  
2011/0076636 A1 \* 3/2011 Wolff ..... A61C 19/063 433/27  
2011/0229848 A1 \* 9/2011 Hertz ..... A61C 19/06 433/119  
2013/0052613 A1 \* 2/2013 Chetiar ..... A61C 19/066 433/216  
2018/0207443 A1 \* 7/2018 Nishio ..... A61N 5/0613

FIG. 1 is a front top perspective view of a teeth whitening device, showing a new design;  
FIG. 2 is a rear bottom perspective view thereof;  
FIG. 3 is a front elevation view thereof;  
FIG. 4 is a rear elevation view thereof;  
FIG. 5 is a left side elevation view thereof;  
FIG. 6 is a right-side elevation thereof;  
FIG. 7 is a top plan view thereof; and,  
FIG. 8 is a bottom plan view thereof.

The broken lines shown in the drawings depict portions of the teeth whitening device that form no part of the claimed design.

References to “side”, “front” and “rear” in the figure descriptions are not meant to require certain in-use orientations, teeth bleaching device according to the claimed design may be used in multiple orientations and configurations.

**1 Claim, 6 Drawing Sheets**



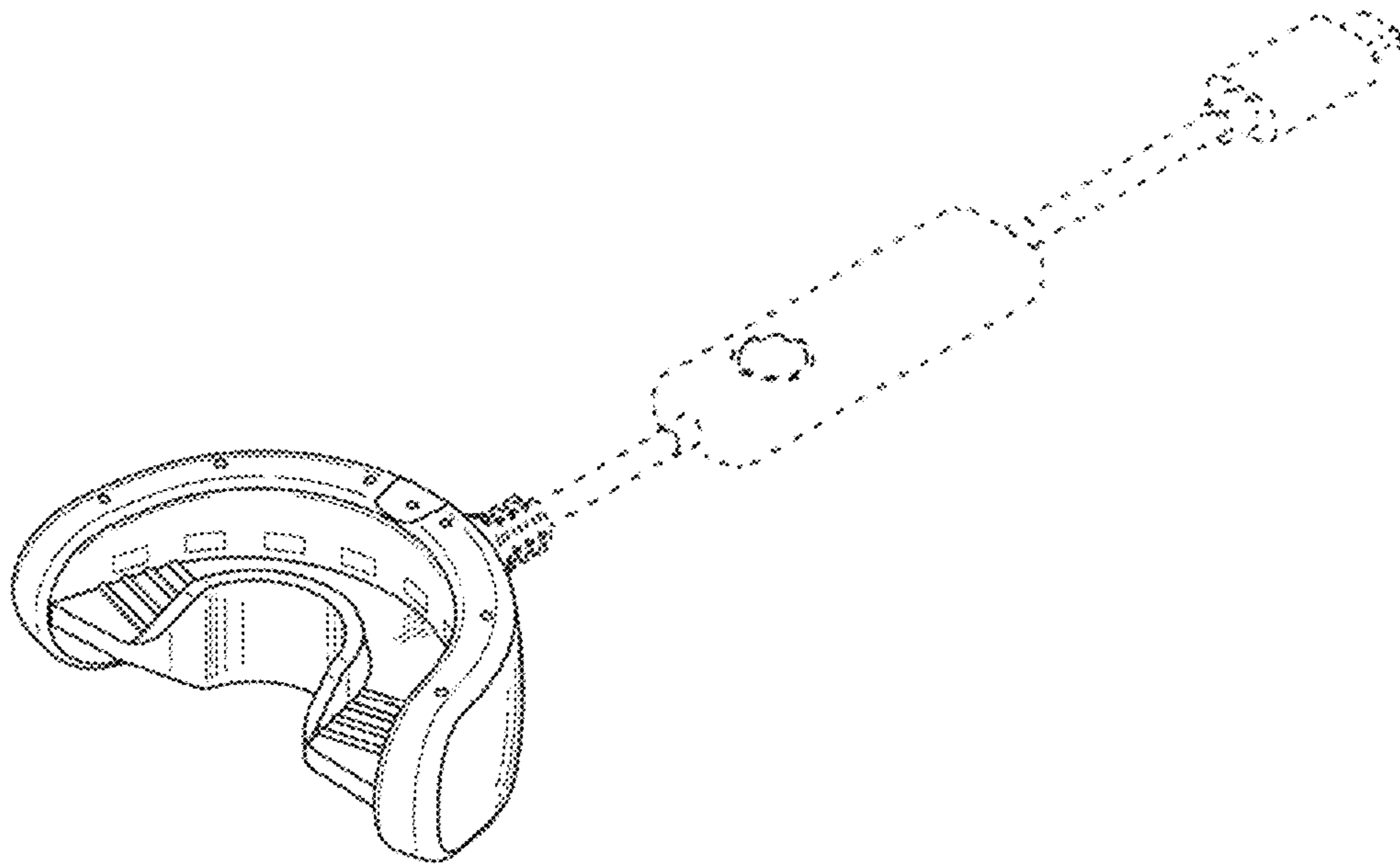


FIG. 1

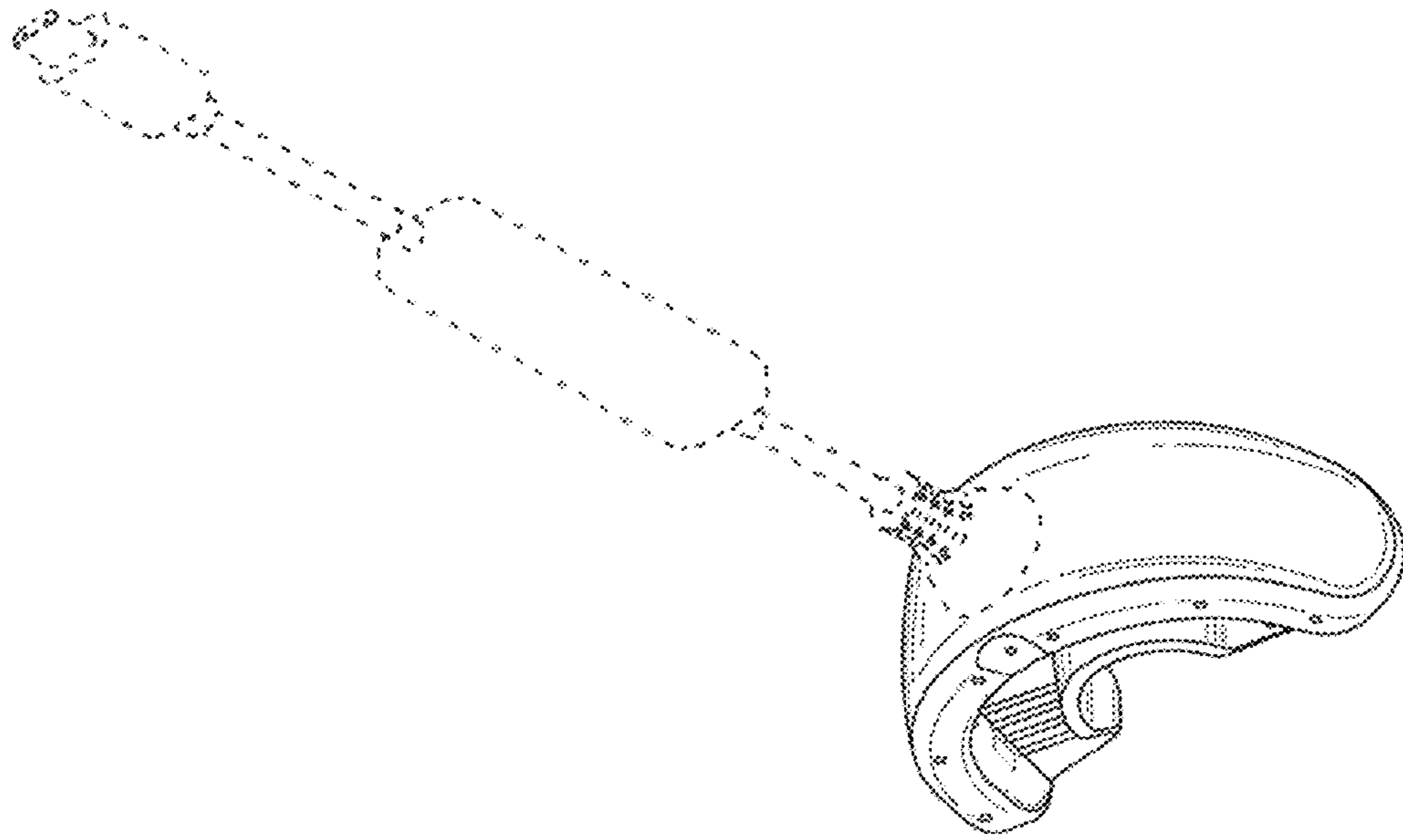


FIG. 2

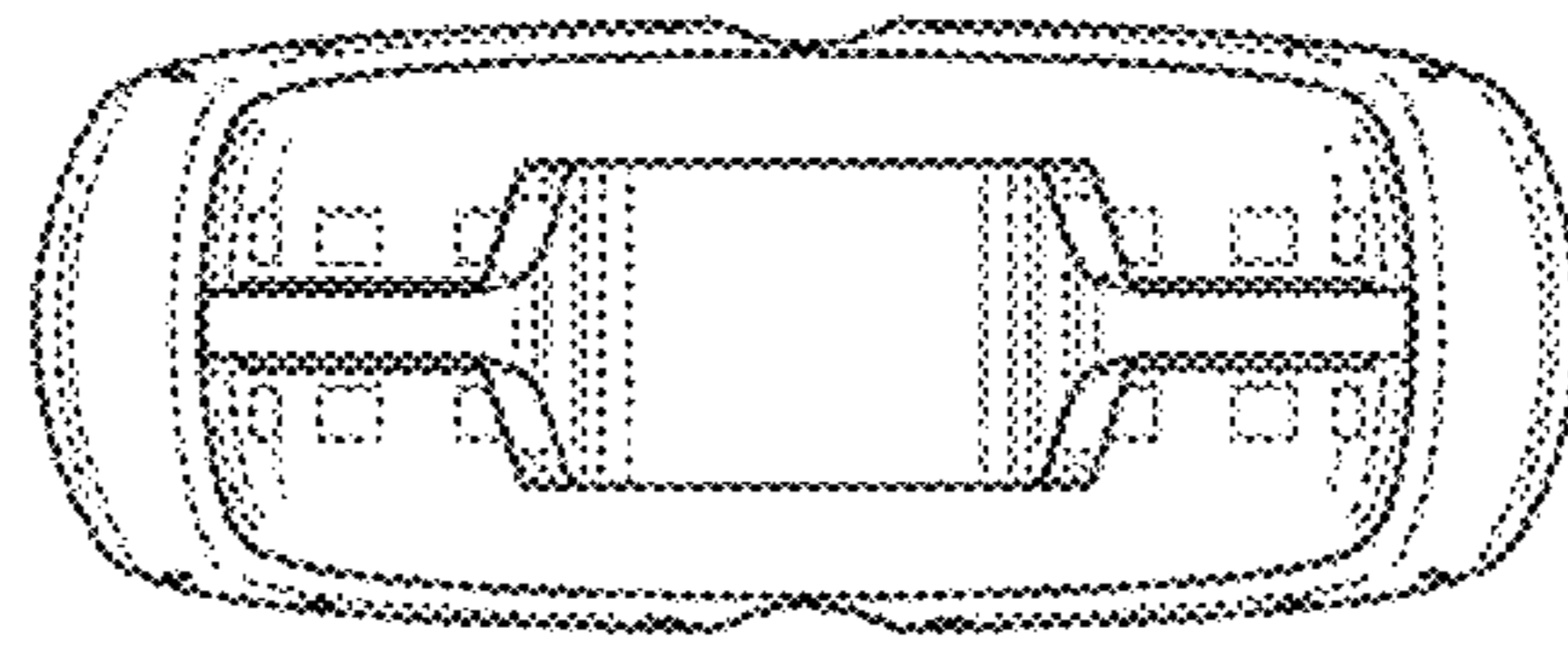


FIG. 3

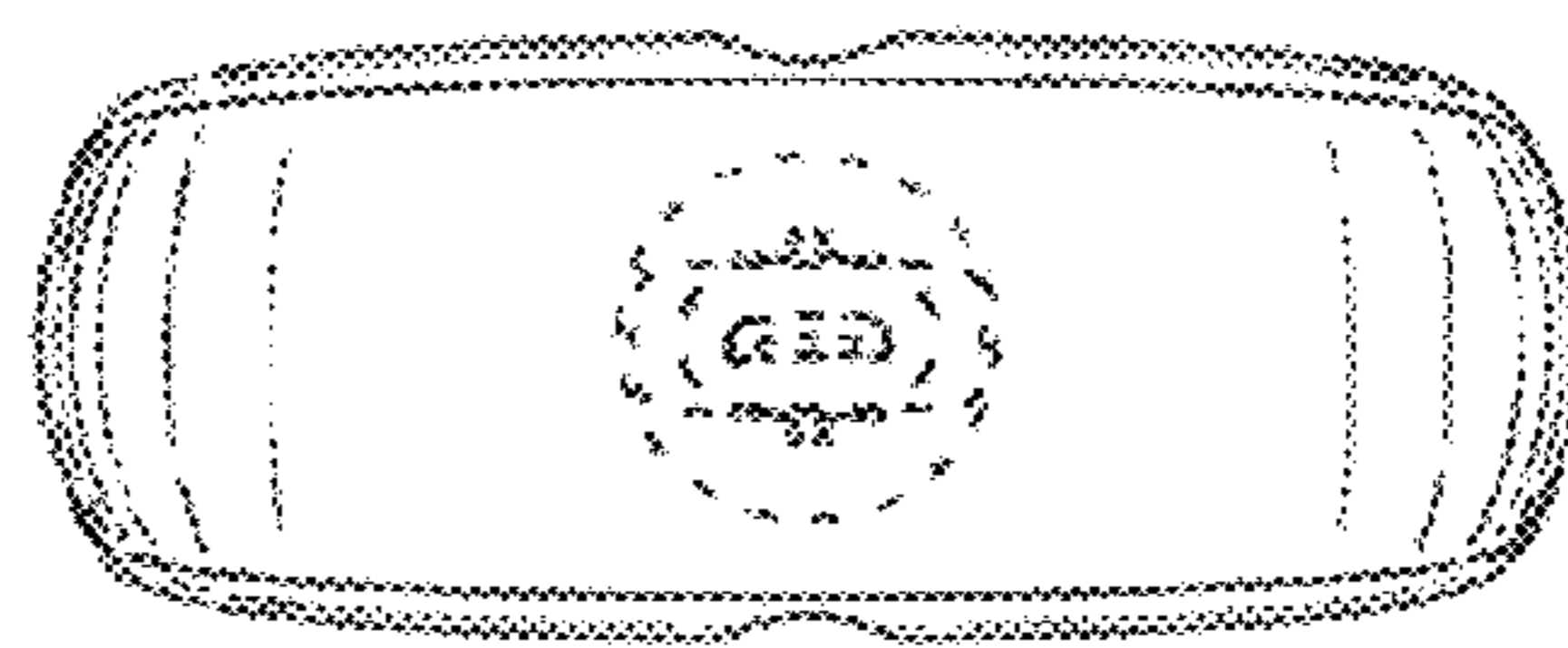


FIG. 4

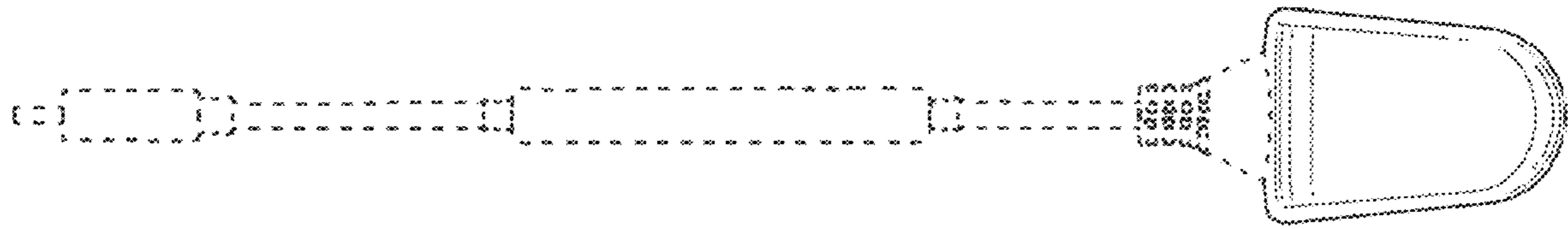


FIG. 5

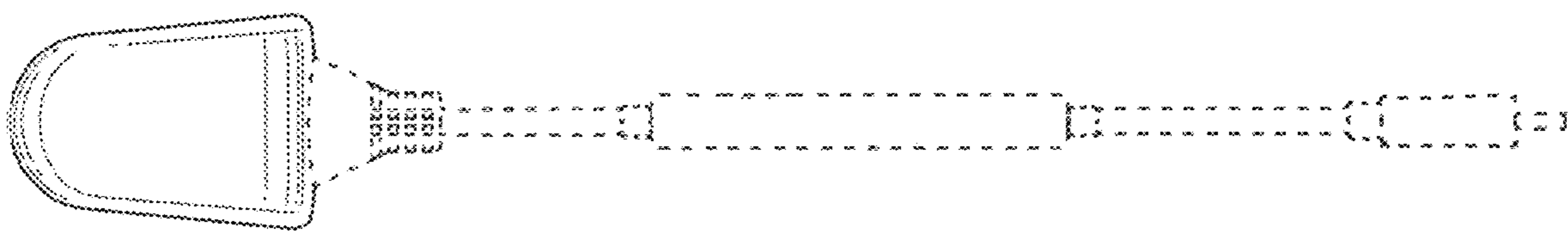


FIG. 6

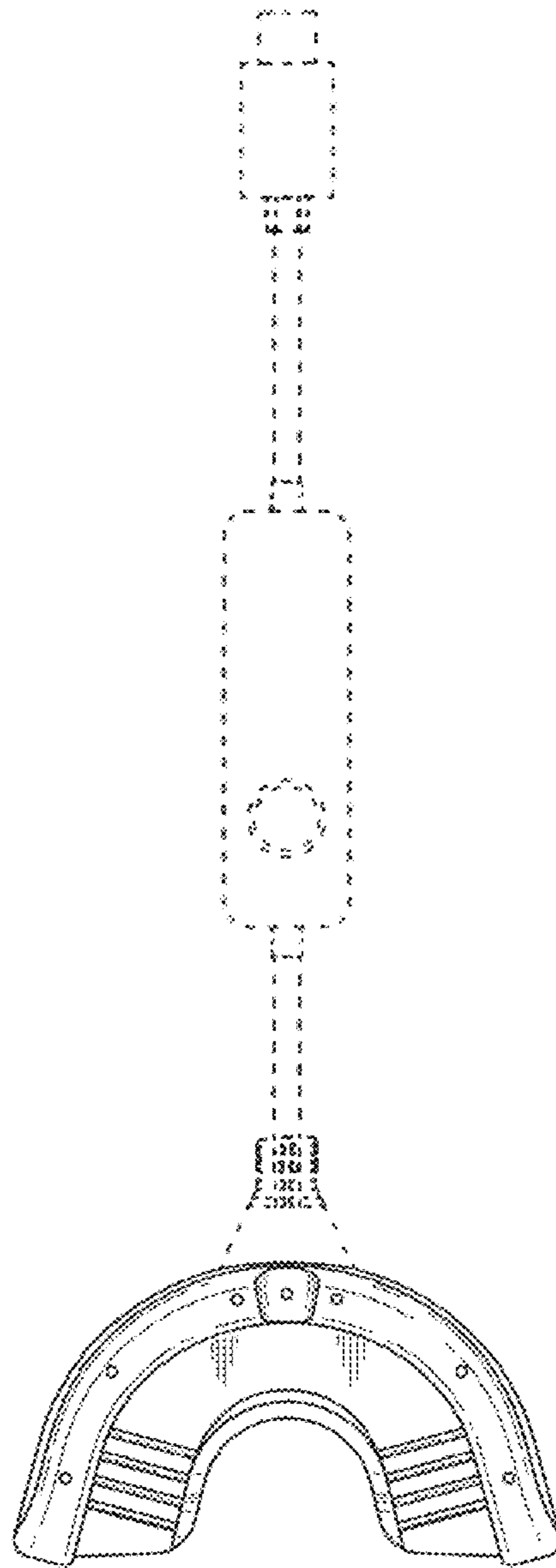


FIG. 7

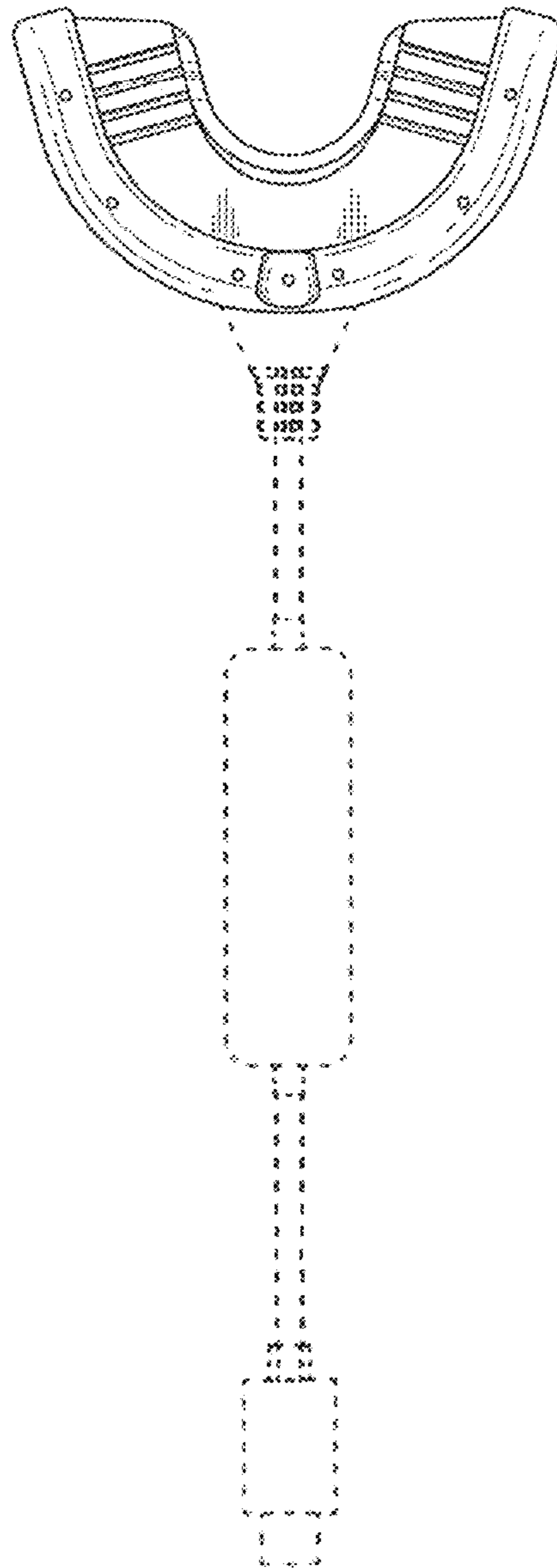


FIG. 8