



US00D881399S

(12) **United States Design Patent**  
**Ingemarsson-Matzen**

(10) **Patent No.:** **US D881,399 S**  
(45) **Date of Patent:** **\*\* Apr. 14, 2020**

(54) **DENTAL PLATE**  
(71) Applicant: **Natashia Ingemarsson-Matzen,**  
Charlottenlund (DK)  
(72) Inventor: **Natashia Ingemarsson-Matzen,**  
Charlottenlund (DK)  
(\*\*) Term: **15 Years**

D595,857 S \* 7/2009 Massad ..... D24/181  
D604,854 S 11/2009 McDonald  
D621,942 S 8/2010 Massad  
D632,395 S 2/2011 Massad  
D642,277 S 7/2011 Farrell  
D650,081 S \* 12/2011 Lin ..... D24/182  
D654,173 S \* 2/2012 Farrell ..... D24/181  
D654,595 S \* 2/2012 Farrell ..... D24/181  
8,166,976 B2 5/2012 Webster et al.  
8,419,595 B1 \* 4/2013 Hanswirth ..... A63B 21/00189  
482/10  
D683,030 S \* 5/2013 Croll ..... D24/181  
8,459,989 B2 \* 6/2013 Keski-Nisula ..... A61C 7/08  
433/24

(21) Appl. No.: **35/504,207**

(22) Filed: **Aug. 30, 2017**

(Continued)

(80) **Hague Agreement Data**

Int. Filing Date: **Aug. 30, 2017**  
Int. Reg. No.: **DM/098907**  
Int. Reg. Date: **Aug. 30, 2017**  
Int. Reg. Pub. Date: **Dec. 29, 2017**

FOREIGN PATENT DOCUMENTS

WO WO 95/14449 6/1995

(51) **LOC (12) Cl.** ..... **24-02**

(52) **U.S. Cl.**  
USPC ..... **D24/180**

(58) **Field of Classification Search**  
USPC ..... D24/180, 181, 176, 182, 188, 110.5;  
128/202.27, 848; 433/24, 6, 46;  
D29/108; 482/10  
See application file for complete search history.

OTHER PUBLICATIONS

Design U.S. Appl. No. 29/430,427, Applicant: Natashia Ingemarsson-Matzen.  
Utility U.S. Appl. No. 14/402,312, Applicant: Jeremy Kenyon.

*Primary Examiner* — Rhea Shields

(57) **CLAIM**

The ornamental design for a dental plate, as shown and described.

(56) **References Cited**

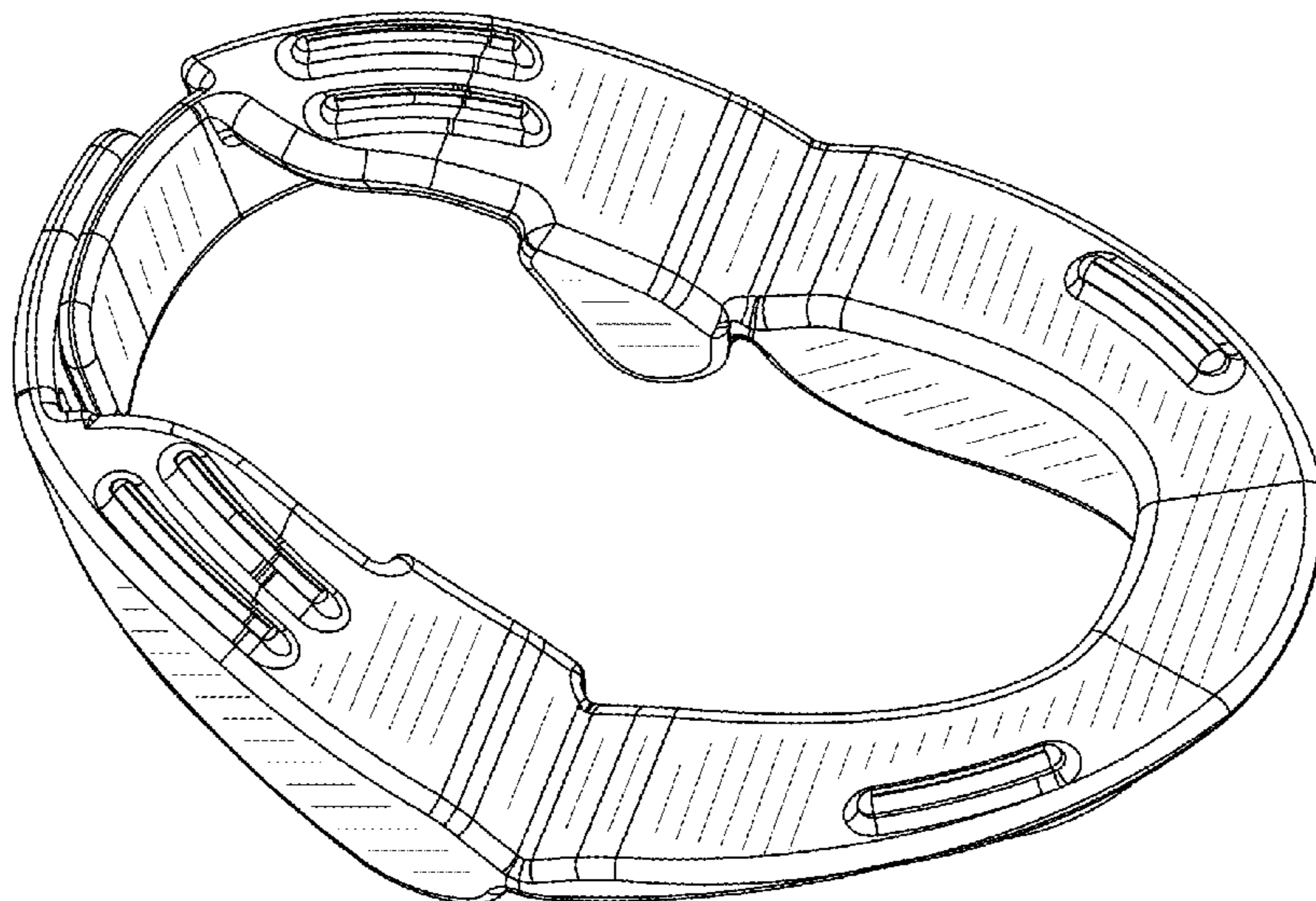
**DESCRIPTION**

U.S. PATENT DOCUMENTS

1,613,384 A \* 1/1927 Dobrik ..... A61C 9/0006  
433/46  
D273,893 S 5/1984 Weitzman  
D289,924 S \* 5/1987 Huffman ..... D24/182  
D295,218 S 4/1988 Kwok  
D358,889 S 5/1995 Wong  
D492,785 S 7/2004 Garabito  
D529,615 S \* 10/2006 Atz ..... D24/181  
D554,260 S \* 10/2007 Diacopoulos ..... D24/181  
7,458,810 B2 \* 12/2008 Bergersen ..... A61C 7/08  
433/6

**1.1** is a top view my new design for a dental plate;  
**1.2** is a top isometric view of **1.1**;  
**1.3** is a right side view of **1.1**;  
**1.4** is a front view of **1.1** with the dental plate in a folded and engaged position;  
**1.5** is a rear view of **1.1**;  
**1.6** is a left side view of **1.4**;  
**1.7** is a left side isometric view of **1.4**; and  
**1.8** is an enlarged view of a portion of **1.7**.

**1 Claim, 6 Drawing Sheets**



(56)

References Cited

U.S. PATENT DOCUMENTS

8,544,472 B2 \* 10/2013 Gaskell ..... A61F 5/566  
 128/202.27

D710,506 S 8/2014 Tolentino

D717,449 S 11/2014 Farrell

D720,858 S \* 1/2015 Burlon ..... D24/181

D722,171 S 2/2015 Bergersen

D739,028 S \* 9/2015 Stein ..... D24/180

D739,029 S 9/2015 Bergersen

D743,109 S \* 11/2015 Charlton ..... D29/108

D756,521 S \* 5/2016 Raad ..... D24/180

D777,931 S \* 1/2017 Raad ..... D24/180

9,545,331 B2 1/2017 Ingemarsson-Matzen

D778,449 S \* 2/2017 Ingemarsson-Matzen .....  
 D24/181

D790,068 S \* 6/2017 Lehtonen ..... D24/180

9,687,383 B2 6/2017 Ingemarsson-Matzen

D799,049 S \* 10/2017 Farrell ..... D24/181

D800,317 S \* 10/2017 Farrell ..... D24/181

D800,910 S \* 10/2017 Layzell ..... D24/181

D802,772 S \* 11/2017 Viazis ..... D24/180

9,820,882 B2 \* 11/2017 Liptak ..... A61F 5/566

D808,022 S \* 1/2018 Ingemarsson-Matzen .....  
 D24/188

D816,210 S \* 4/2018 Gerschman ..... D24/110.5

D827,835 S \* 9/2018 Bocala ..... D24/180

D832,447 S \* 10/2018 Wiffen ..... D24/181

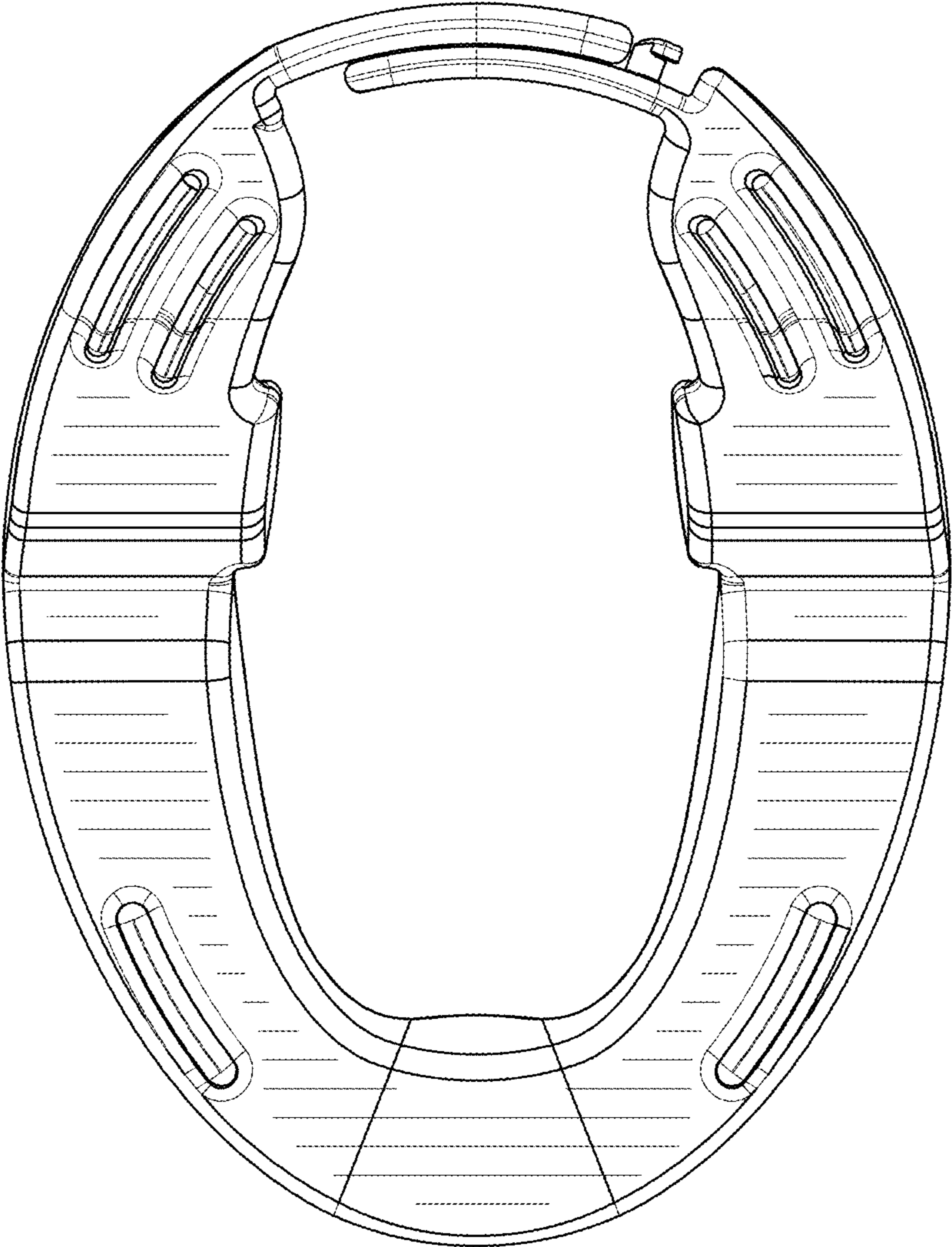
2014/0352700 A1 \* 12/2014 Ingemarsson-Matzen .....  
 A61F 5/566  
 128/848

2014/0352701 A1 \* 12/2014 Ingemarsson-Matzen .....  
 A61F 5/566  
 128/848

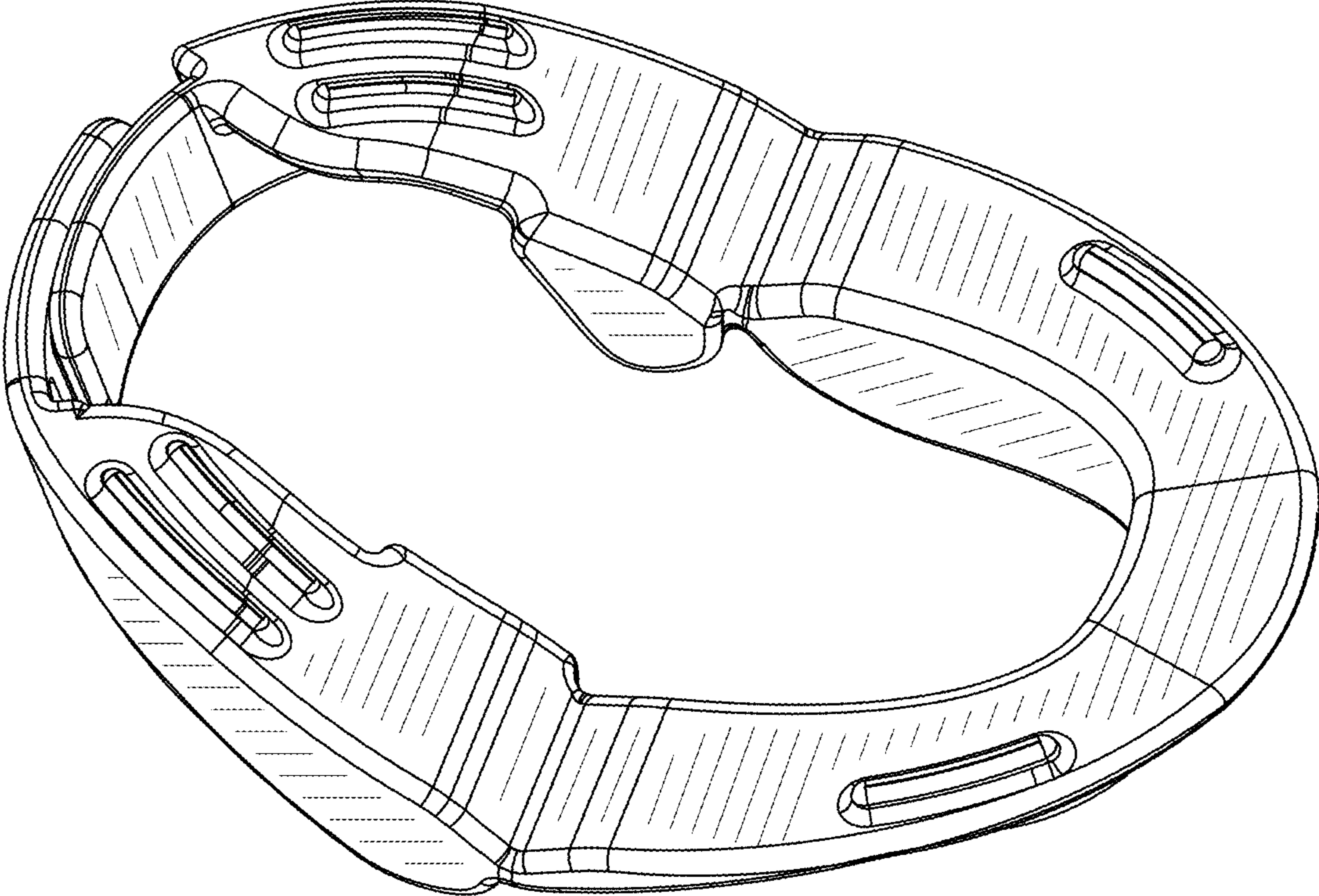
2018/0071135 A1 3/2018 Ingemarsson-Matzen

\* cited by examiner

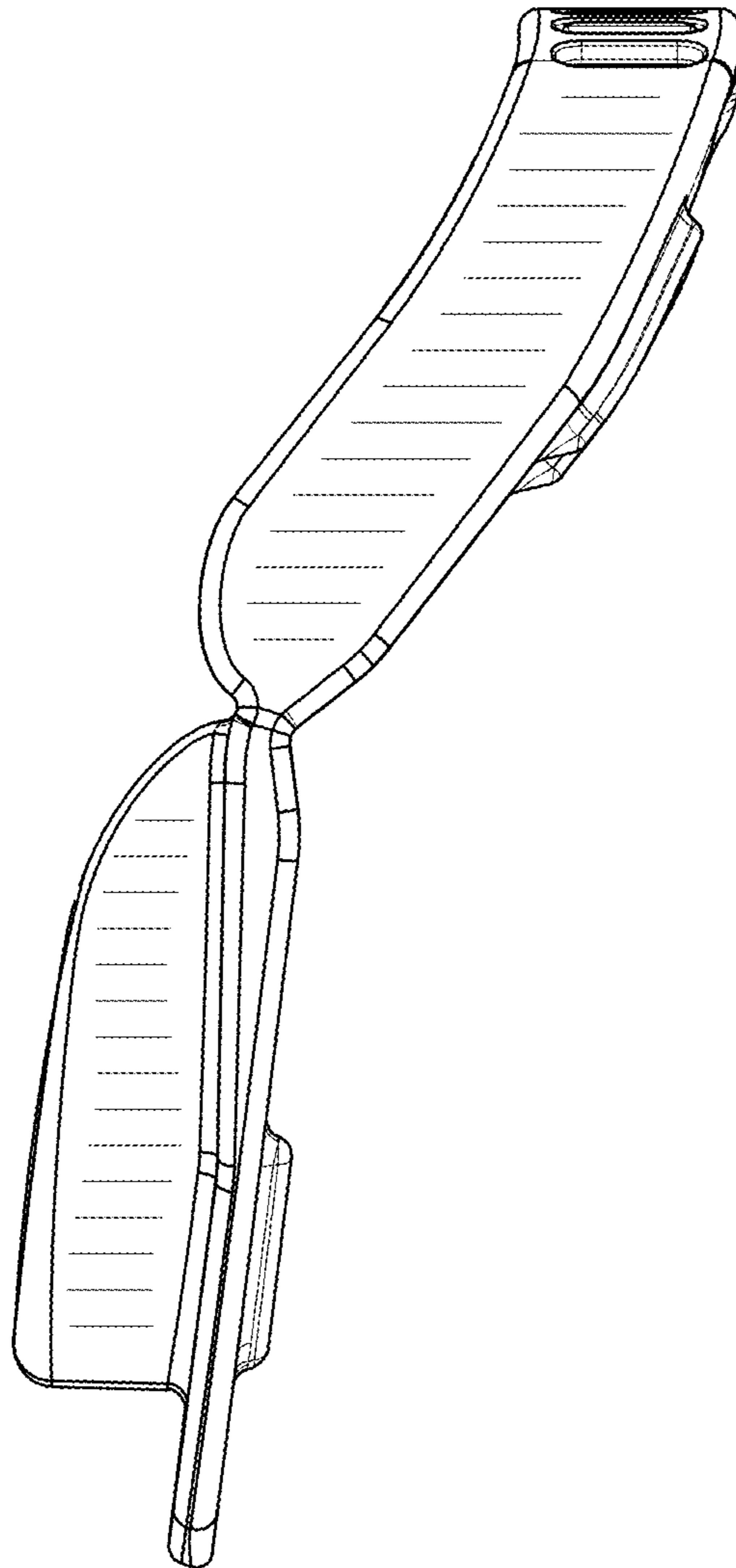
1.1



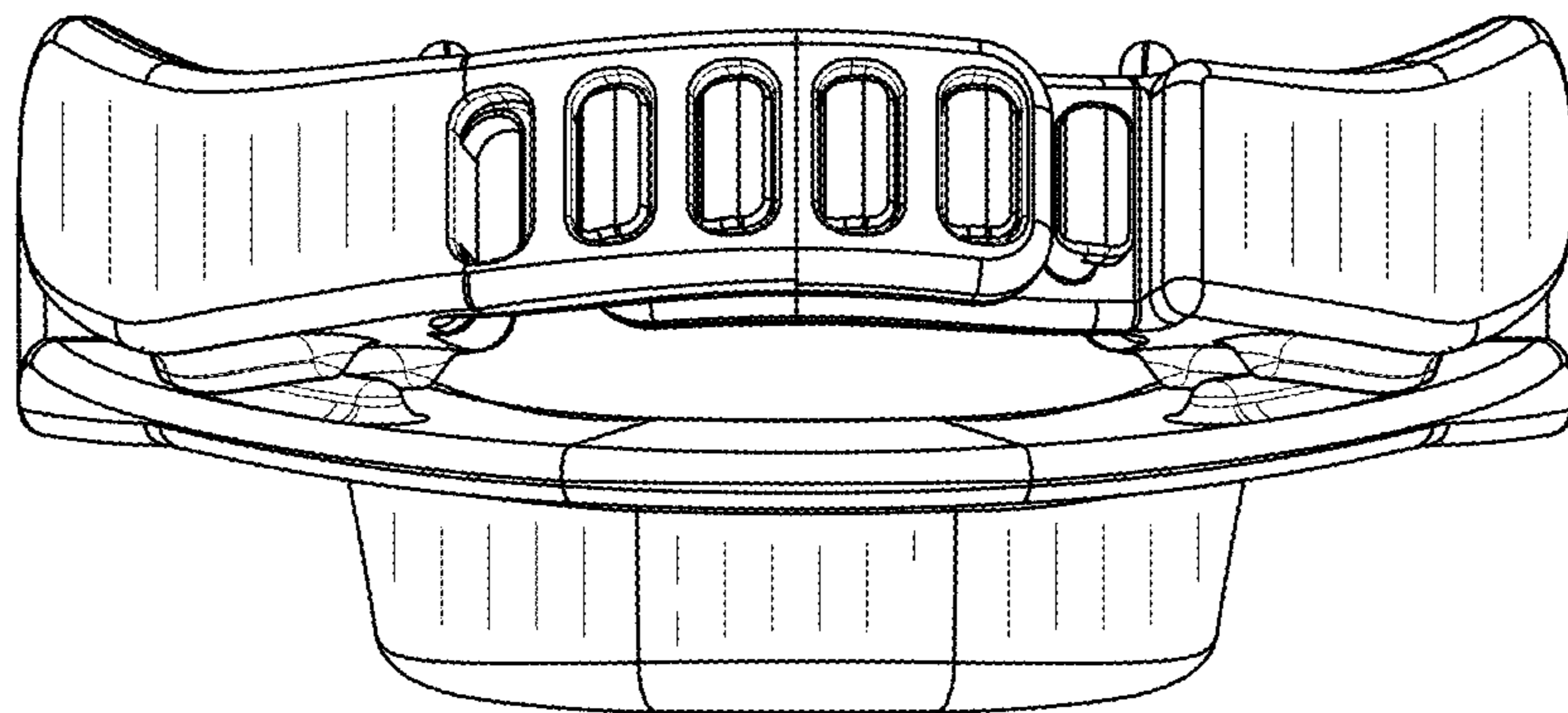
1.2



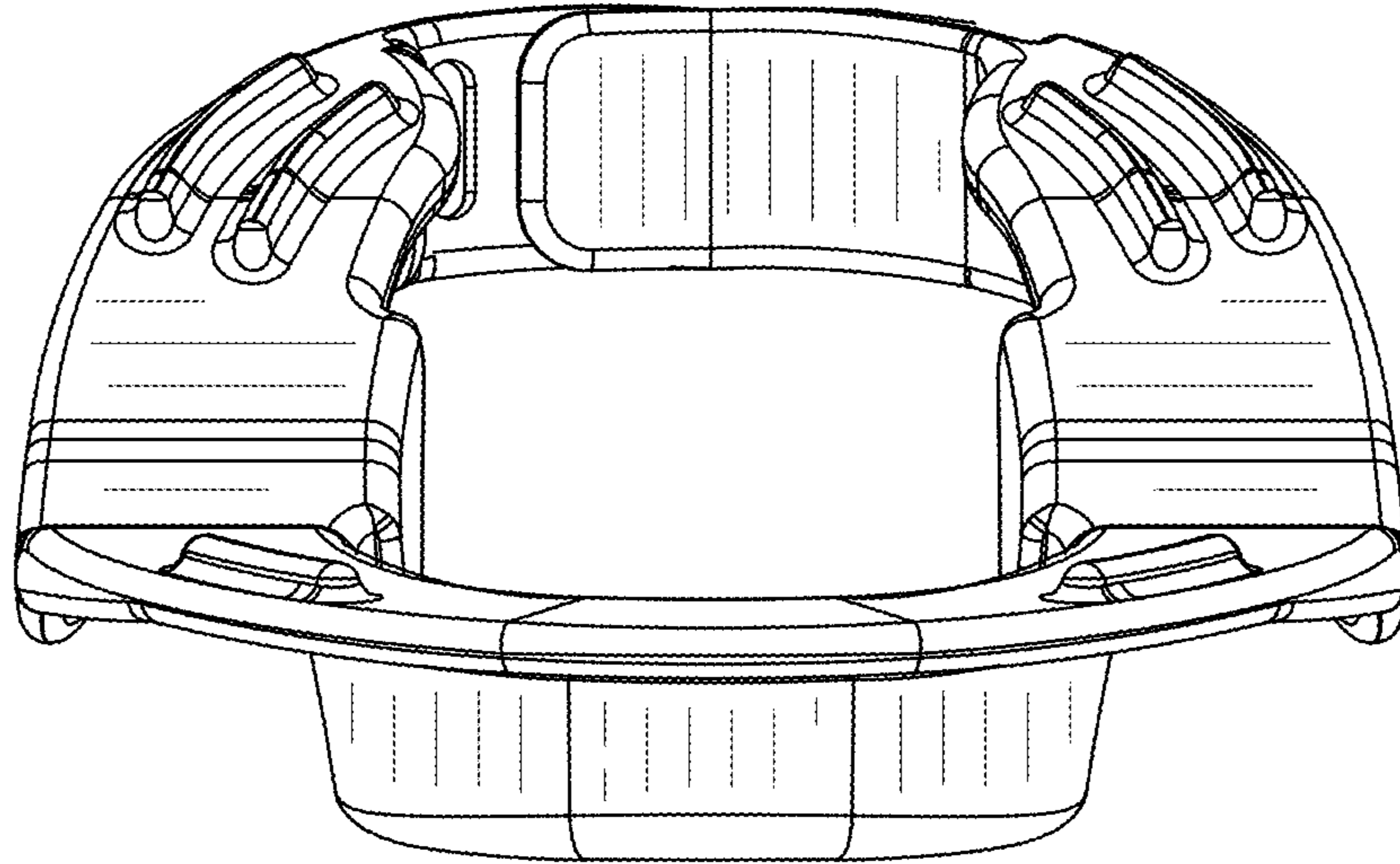
1.3



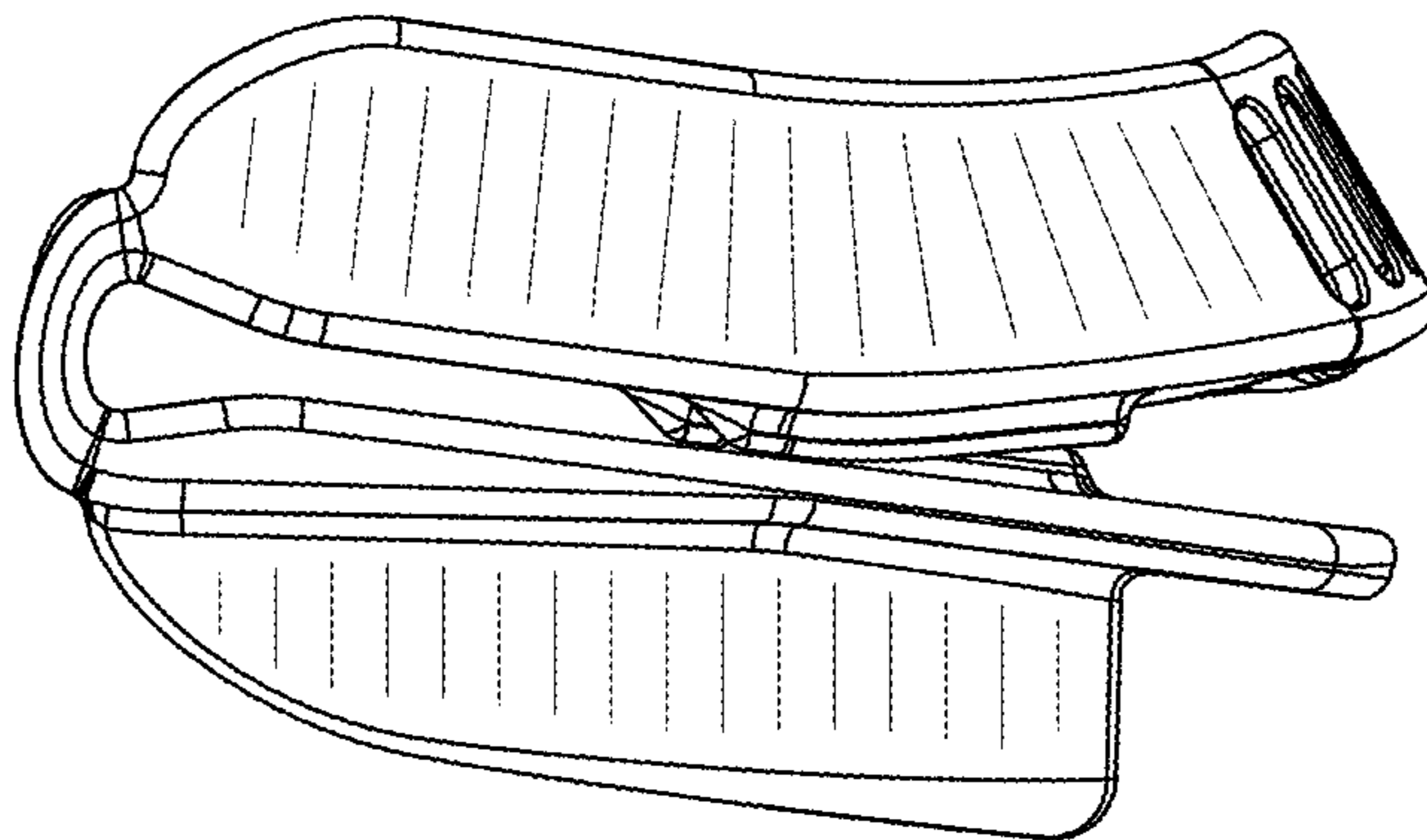
1.4



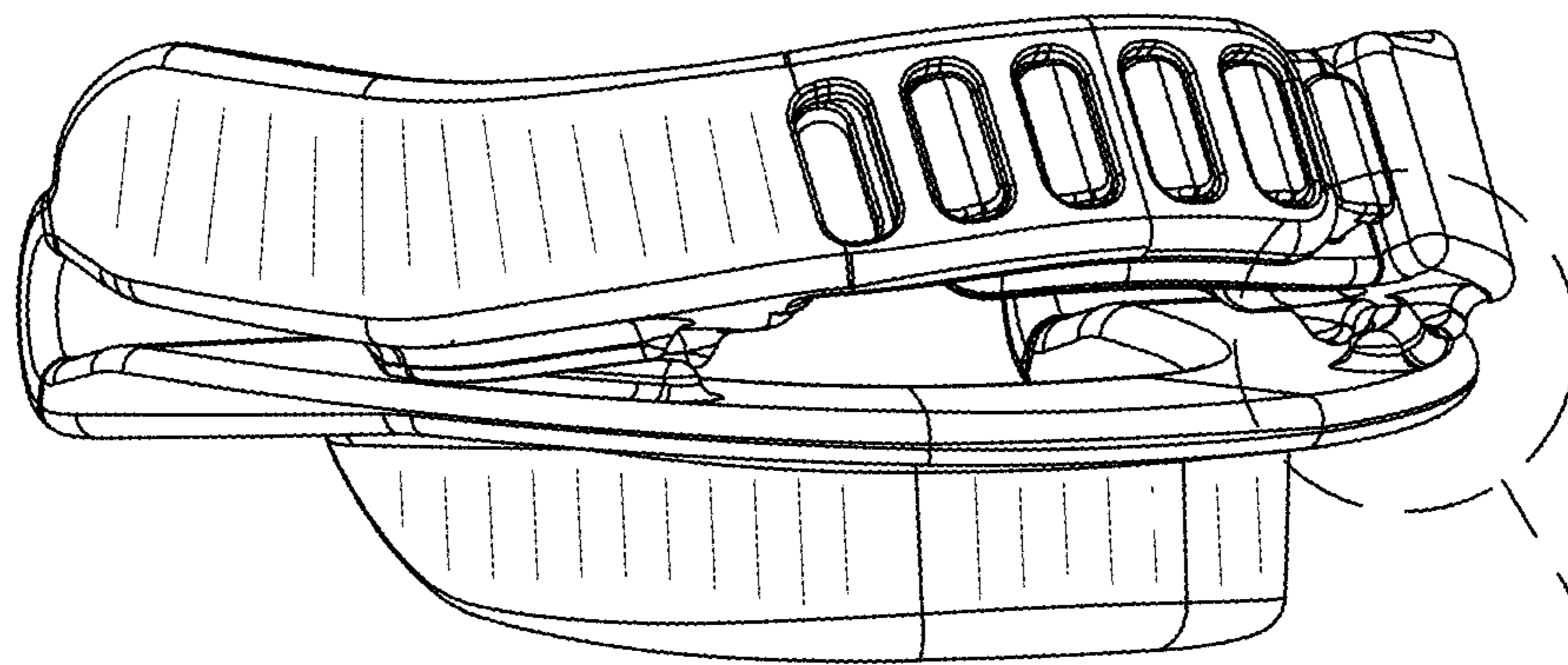
1.5



1.6



1.7



1.8

1.8

