



US00D881394S

(12) **United States Design Patent** (10) **Patent No.:** **US D881,394 S**
Classen et al. (45) **Date of Patent:** **** Apr. 14, 2020**

(54) **DENTAL INSTRUMENT**

(56) **References Cited**

(71) Applicant: **KALTENBACH & VOIGHT GMBH**,
Biberach/Riss (DE)

U.S. PATENT DOCUMENTS

(72) Inventors: **Thomas Classen**, Herbertingen (DE);
Juergen Butscher, Leutkirch (DE);
Marcel Ott, Zwiefalten-Baach (DE);
Markus Haarmann, Biberach (DE);
Thomas Birk, Oberhausen (DE)

D499,486 S *	12/2004	Kuhn	D24/146
D504,949 S *	5/2005	Kuhn	D24/152
D520,138 S *	5/2006	Kuhn	D24/152
D533,276 S *	12/2006	Nakanishi	D24/152
D547,868 S *	7/2007	Nakanishi	D24/146
D550,358 S *	9/2007	Nakanishi	D24/146
D600,347 S *	9/2009	Klee	D24/146
D604,412 S *	11/2009	Kobayashi	D24/152
D714,443 S *	9/2014	Tanaka	D24/152
2013/0004913 A1 *	1/2013	Danger	A61C 1/003 433/102

(73) Assignee: **KALTENBACH & VOIGHT GMBH**,
Biberach/Riss (DE)

* cited by examiner

(**) Term: **15 Years**

Primary Examiner — Wan Laymon

(21) Appl. No.: **29/684,490**

(74) *Attorney, Agent, or Firm* — Scully, Scott, Murphy &
Presser, P.C.

(22) Filed: **Mar. 21, 2019**

Related U.S. Application Data

(62) Division of application No. 29/617,807, filed on Sep.
15, 2017, now Pat. No. Des. 854,687.

(51) **LOC (12) Cl.** **24-02**

(52) **U.S. Cl.**
USPC **D24/152**

(58) **Field of Classification Search**
USPC D24/152, 156, 176, 146-147; D8/83,
D8/107; 433/3, 82, 102, 114, 124-126,
433/133, 141-142
CPC .. A61C 1/05; A61C 1/052; A61C 1/06; A61C
1/07; A61C 1/08; A61C 1/10; A61C 1/12;
A61C 1/147; A61C 3/00; A61C 3/02;
A61C 3/025; A61C 17/0202; A61C
17/225; A61C 17/26; A61C 17/30; A61C
17/34

See application file for complete search history.

(57) **CLAIM**

The ornamental design for a dental instrument, as shown and
described.

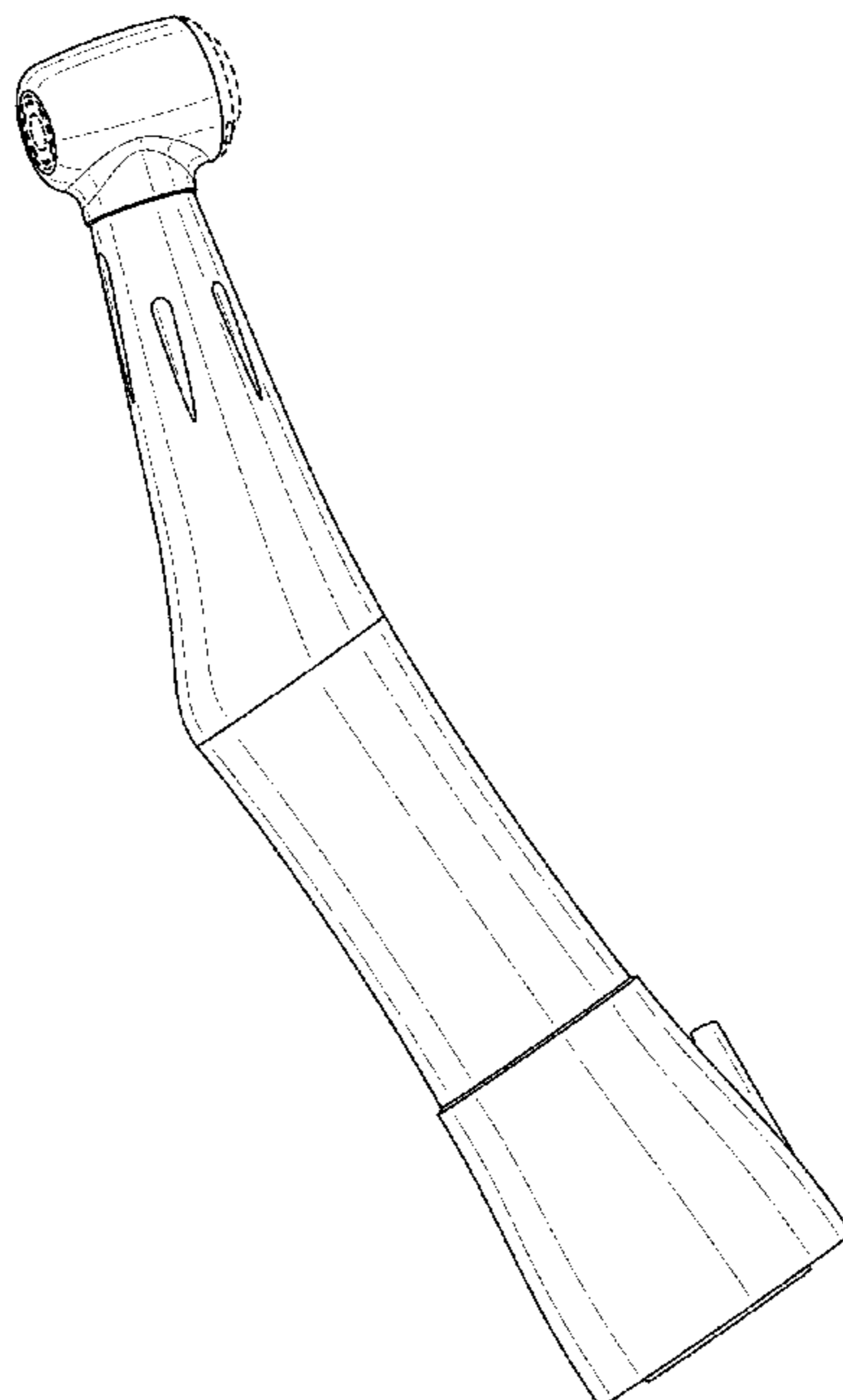
DESCRIPTION

FIG. 1 illustrates a side view of the dental instrument,
showing a first embodiment of our new and ornamental
design;

FIG. 2 illustrates a back view thereof;
FIG. 3 illustrates an alternate side view thereof;
FIG. 4 illustrates a front view thereof;
FIG. 5 illustrates an enlarged bottom view thereof;
FIG. 6 illustrates an enlarged top view thereof; and,
FIG. 7 illustrates a perspective view thereof.

The portions of the dental instrument shown and described
in broken lines in the figures attached hereto form no part of
the claimed design.

1 Claim, 7 Drawing Sheets



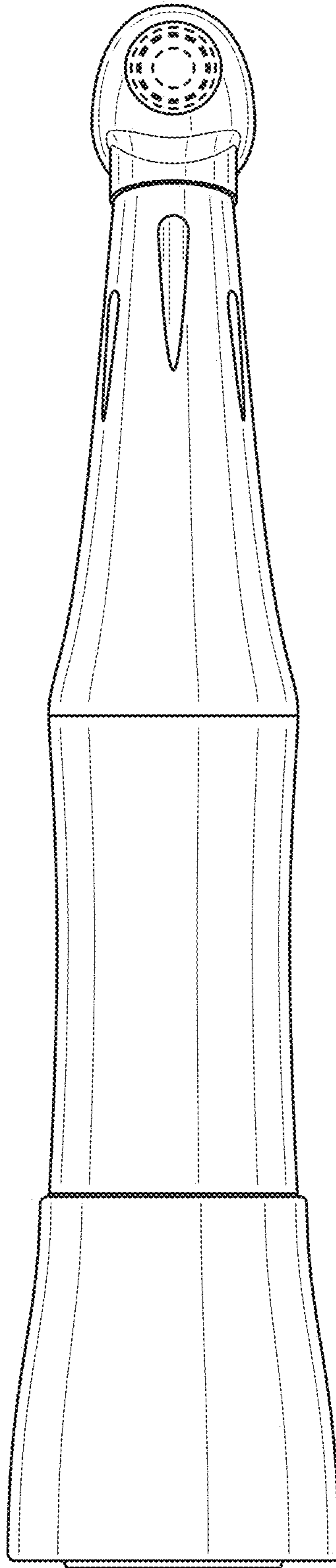


FIG. 1

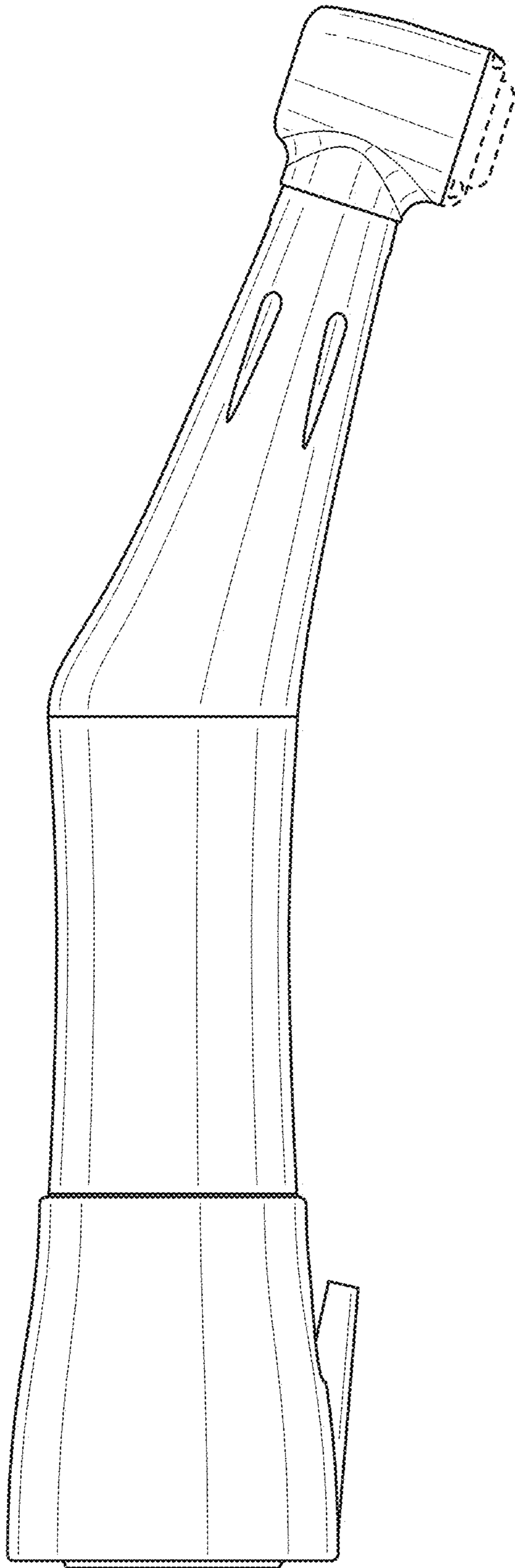


FIG. 2

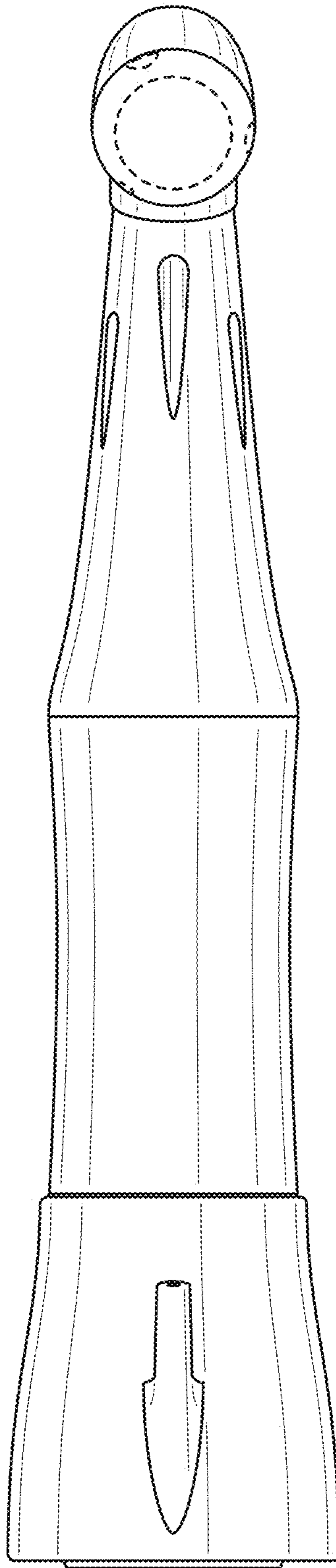


FIG. 3

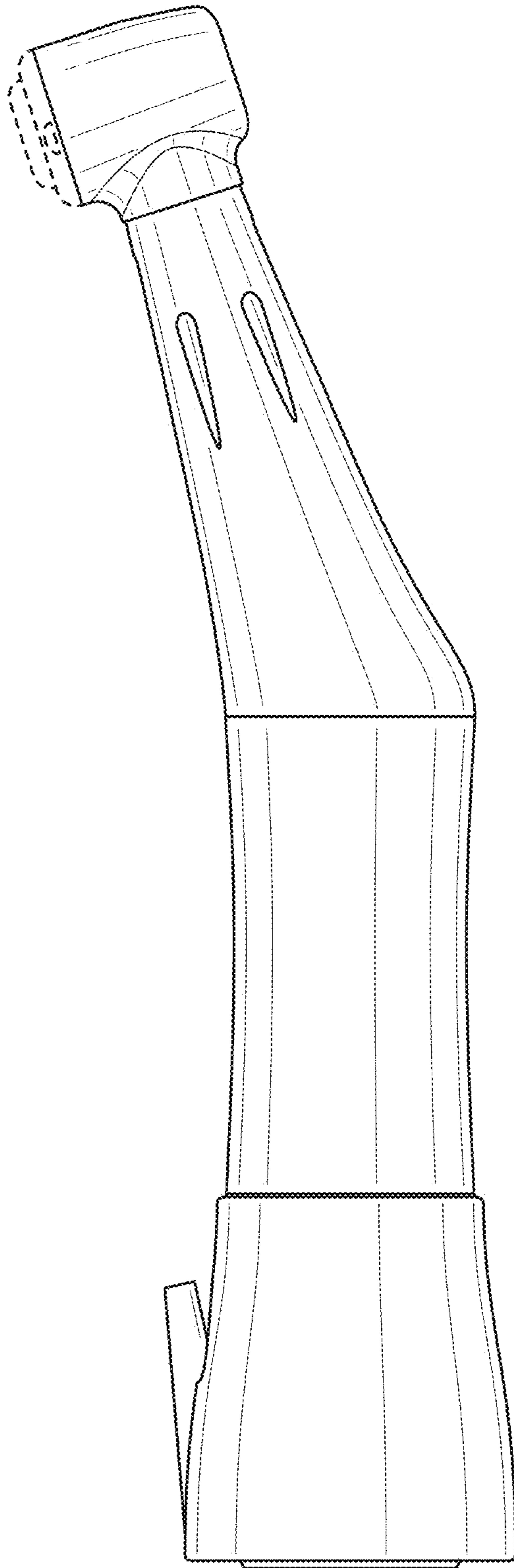


FIG. 4

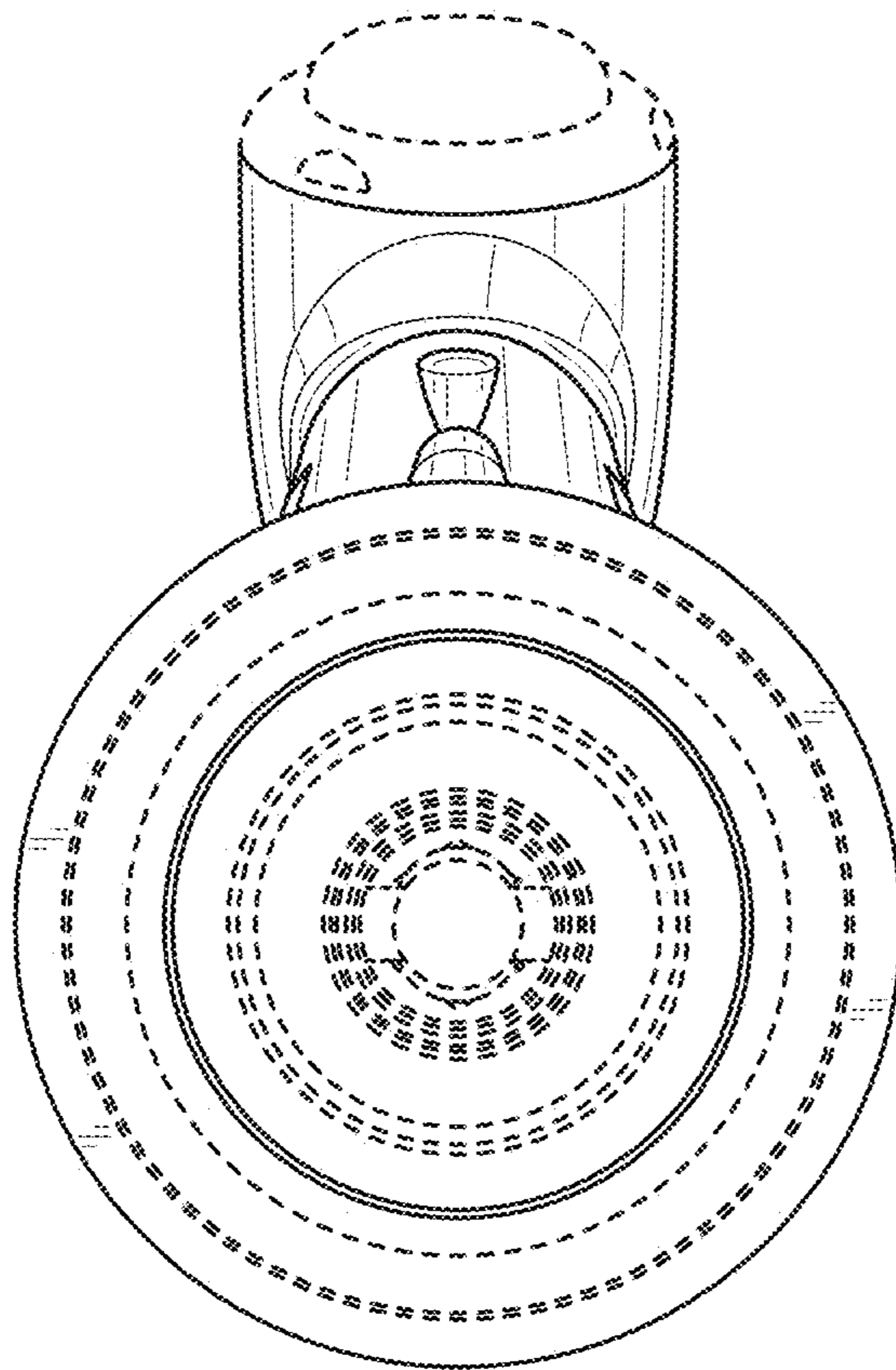


FIG. 5

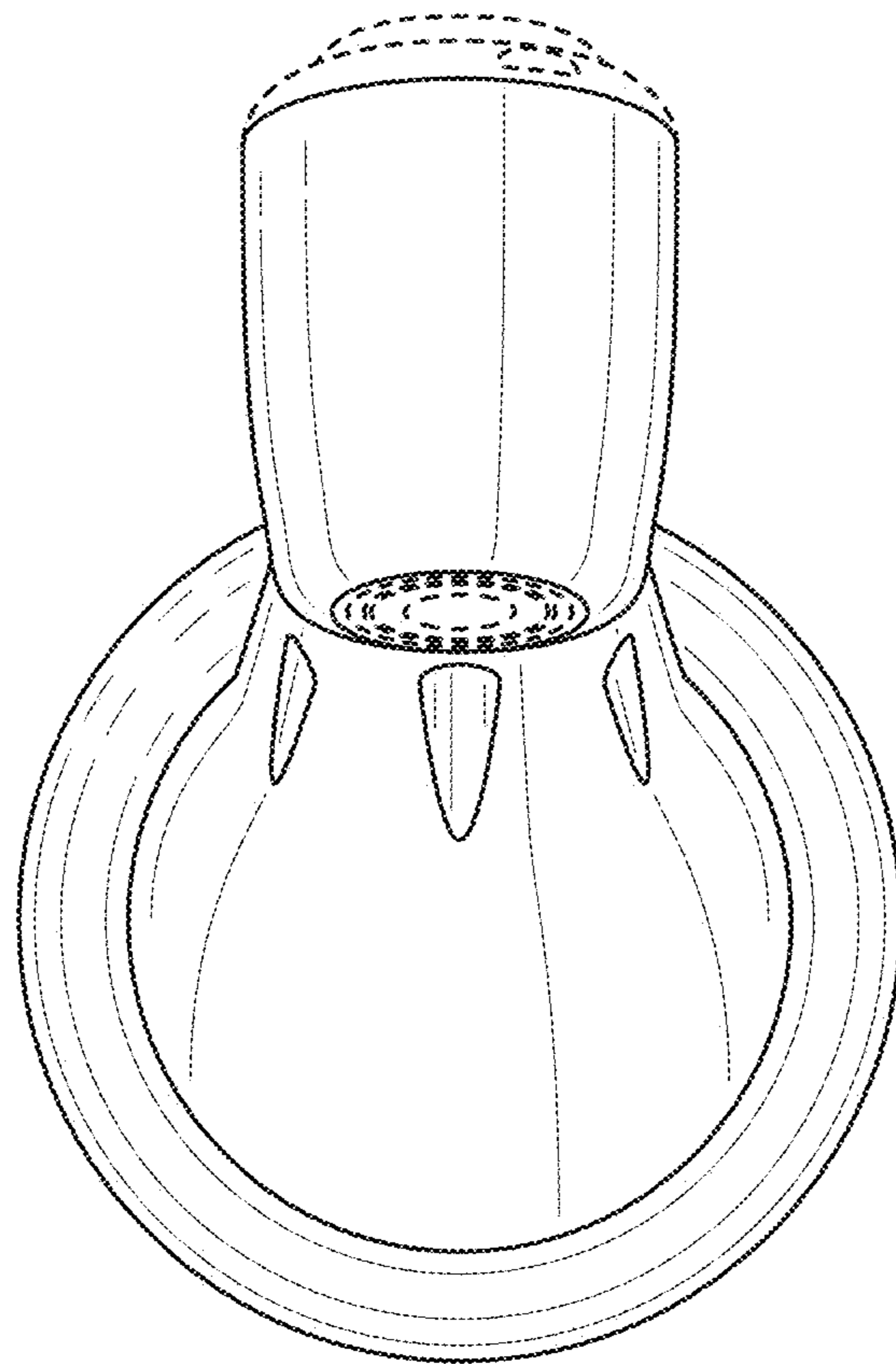


FIG. 6

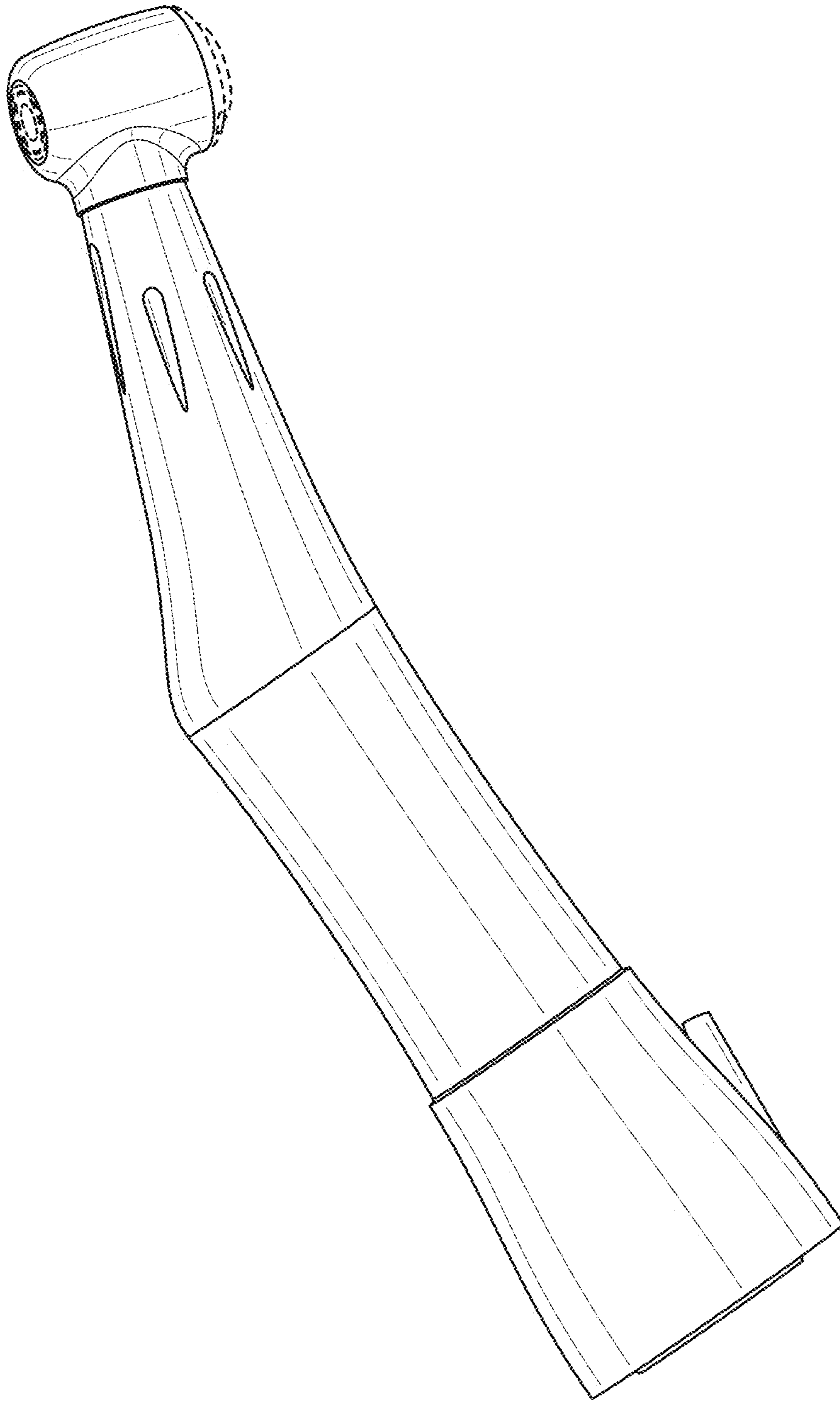


FIG. 7