



US00D881392S

(12) **United States Design Patent**  
**Pujara et al.**

(10) **Patent No.:** **US D881,392 S**  
(45) **Date of Patent:** **\*\* Apr. 14, 2020**

- (54) **SYRINGE NEEDLE SHIELD**
- (71) Applicant: **Becton, Dickinson and Company**,  
Franklin Lakes, NJ (US)
- (72) Inventors: **Akshay Pujara**, Parsippany, NJ (US);  
**Jason Mondro**, Deerfield Beach, FL  
(US); **Kevin Watts**, Kearney, NE (US);  
**Roger Hoeck**, Holdrege, NE (US);  
**Lance Jacobi**, Kearney, NE (US)
- (73) Assignee: **Becton, Dickinson and Company**,  
Franklin Lakes, NJ (US)
- (\*\*) Term: **15 Years**
- (21) Appl. No.: **29/658,132**
- (22) Filed: **Jul. 27, 2018**
- (51) **LOC (12) Cl.** ..... **24-02**
- (52) **U.S. Cl.**  
USPC ..... **D24/130**
- (58) **Field of Classification Search**  
USPC ..... D24/127-131, 112-114, 133, 186;  
606/181, 185; 604/264, 523-528, 272,  
604/187, 158, 164.01-164.11, 181, 184,  
604/227; 600/101, 139, 143;  
128/200.24, 207.14, 207.15  
CPC ..... A61M 39/1011; F16L 37/0841; F16L  
2201/20; F16L 2201/60  
See application file for complete search history.

D464,676 S \* 10/2002 Leo ..... D19/199  
6,551,286 B1 \* 4/2003 Claessens ..... A61M 5/3202  
128/919  
D484,243 S \* 12/2003 Ryan ..... D24/130  
(Continued)

**FOREIGN PATENT DOCUMENTS**

EP 1138338 A1 10/2001  
WO WO-03/051423 A2 6/2003  
WO WO-03/051423 A3 6/2003

*Primary Examiner* — Nathan M Johnston  
(74) *Attorney, Agent, or Firm* — Dickinson Wright PLLC

(57) **CLAIM**

The ornamental design for a syringe needle shield, as shown and described.

**DESCRIPTION**

FIG. 1 is a top perspective view of a syringe needle shield embodying our new design;  
FIG. 2 is a bottom perspective view of the syringe needle shield shown in FIG. 1;  
FIG. 3 is a front view of the syringe needle shield shown in FIGS. 1 and 2;  
FIG. 4 is a top view of the syringe needle shield shown in FIGS. 1-3;  
FIG. 5 is a side view of the syringe needle shield shown in FIGS. 1-4;  
FIG. 6 is an opposite side view of the syringe needle shield shown in FIGS. 1-5;  
FIG. 7 is a bottom view of the syringe needle shield shown in FIGS. 1-6;  
FIG. 8 is a rear view of the syringe needle shield shown in FIGS. 1-7; and,  
FIG. 9 is a cross sectional view of the syringe needle shield shown in FIG. 5.

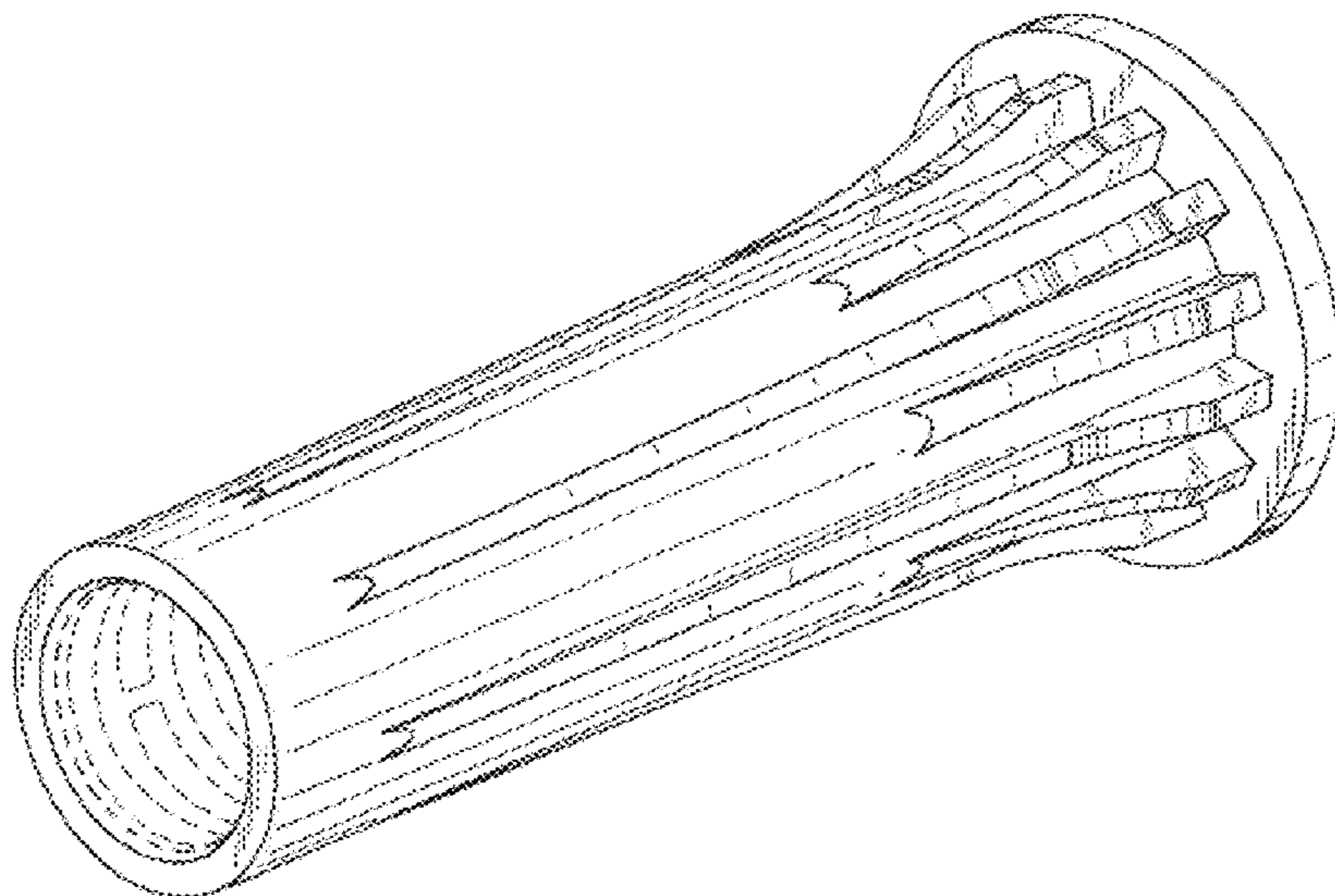
The ornamental design that is claimed is shown in solid lines in the drawings. The broken lines in the drawings represent portions of the syringe needle shield that form no part of the claimed design.

**1 Claim, 6 Drawing Sheets**

(56) **References Cited**

**U.S. PATENT DOCUMENTS**

D320,277 S 9/1991 Gyure et al.  
5,209,738 A 5/1993 Bruno  
5,451,213 A 9/1995 Teicher et al.  
5,483,973 A 1/1996 Benson et al.  
D369,408 S \* 4/1996 Laun ..... D24/133  
5,569,286 A \* 10/1996 Peckham ..... A61B 5/150022  
604/192



(56)

**References Cited**

## U.S. PATENT DOCUMENTS

6,719,737 B2 \* 4/2004 Kobayashi ..... A61M 5/3216  
206/365  
D651,712 S \* 1/2012 Gao ..... D24/146  
D667,951 S \* 9/2012 Marshall ..... D24/130  
D677,379 S \* 3/2013 Orsing ..... D24/108  
D687,563 S \* 8/2013 Tamura ..... D24/222  
D693,467 S \* 11/2013 Doucette ..... D24/162  
D713,029 S 9/2014 Shiraishi et al.  
D717,430 S \* 11/2014 Shiraishi ..... D24/130  
D777,317 S \* 1/2017 Soual ..... D24/112  
D787,053 S \* 5/2017 Huang ..... D24/130  
D787,669 S \* 5/2017 Huang ..... D24/130  
D789,528 S 6/2017 Wohlfahrt et al.  
D804,023 S \* 11/2017 Huang ..... D24/130  
D804,661 S \* 12/2017 Shoji ..... D24/129  
D813,384 S \* 3/2018 Seeh ..... D24/129  
D814,025 S \* 3/2018 Zumbrum ..... D24/129  
D819,803 S \* 6/2018 Kheradpir ..... D24/112  
D820,441 S \* 6/2018 Ketelhohn ..... A61B 17/22012  
D24/127  
D825,749 S \* 8/2018 Huang ..... D24/130  
2003/0078548 A1 \* 4/2003 Kobayashi ..... A61M 5/3216  
604/263  
2004/0097882 A1 5/2004 Dibiasi et al.  
2007/0016146 A1 1/2007 Yang  
2011/0166534 A1 \* 7/2011 Ricol ..... A61M 39/02  
604/288.02  
2016/0220767 A1 8/2016 Roberts et al.  
2018/0339115 A1 \* 11/2018 Limaye ..... A61M 5/3234

\* cited by examiner

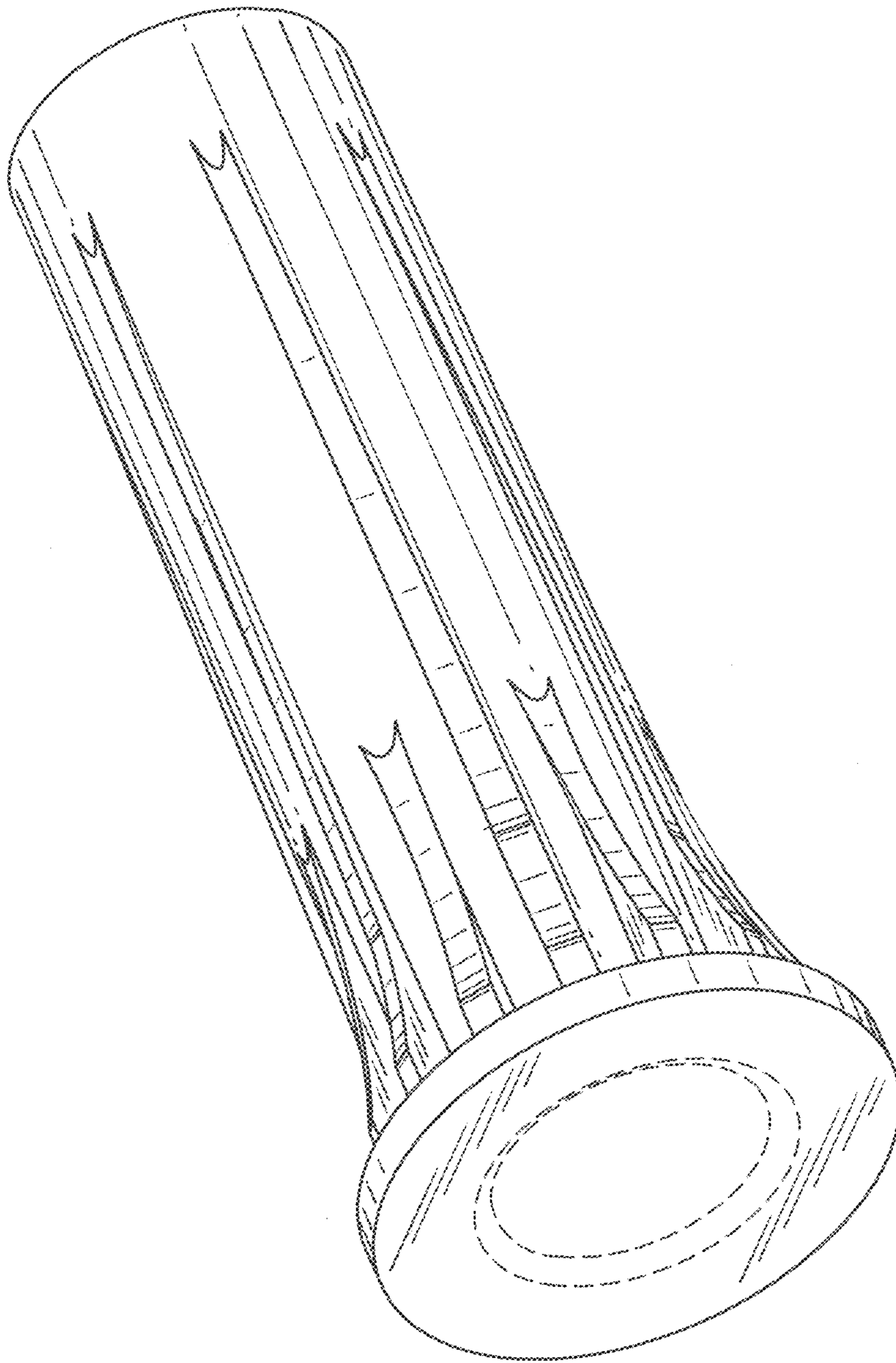


FIG. 1

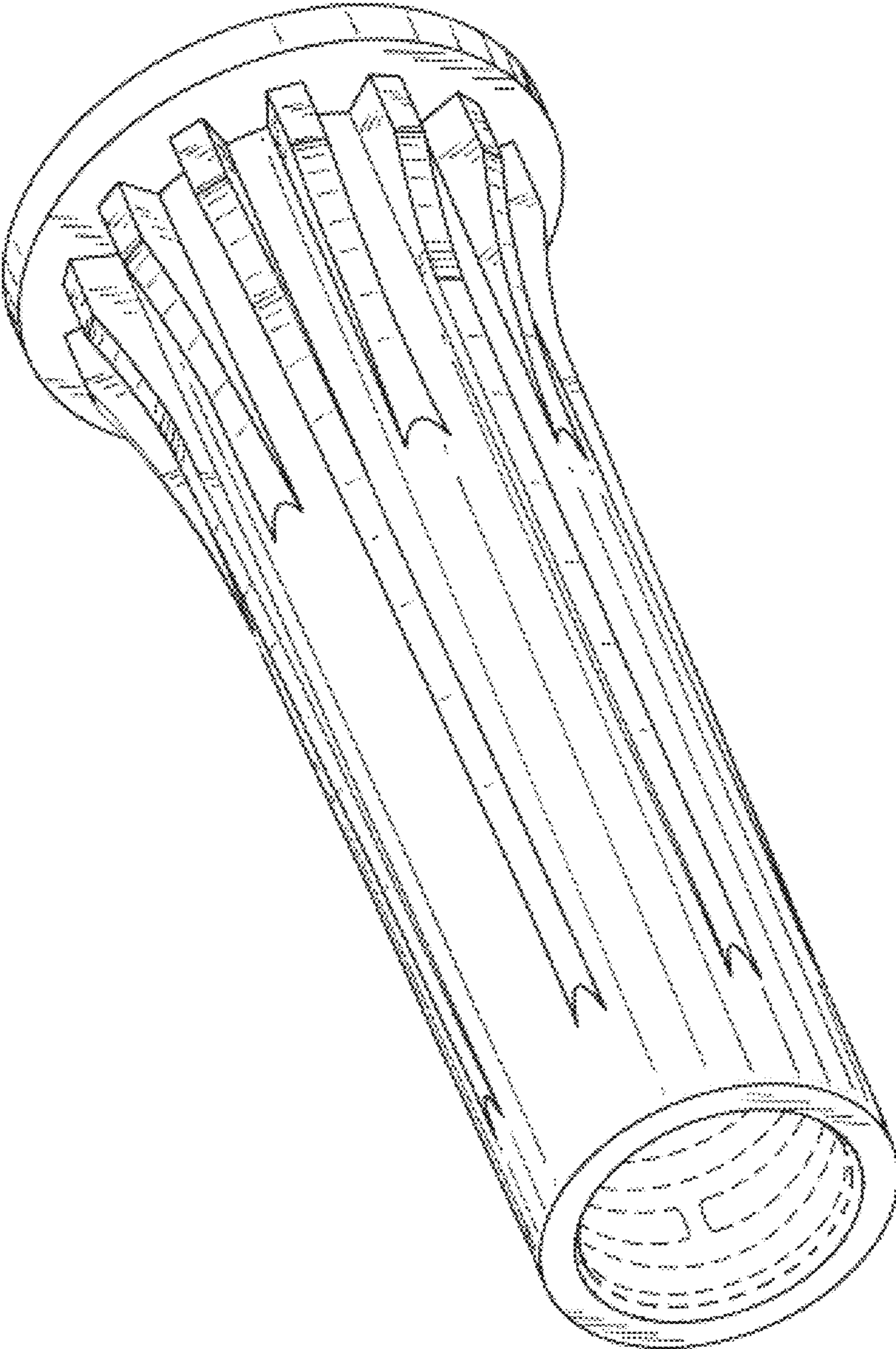


FIG.2

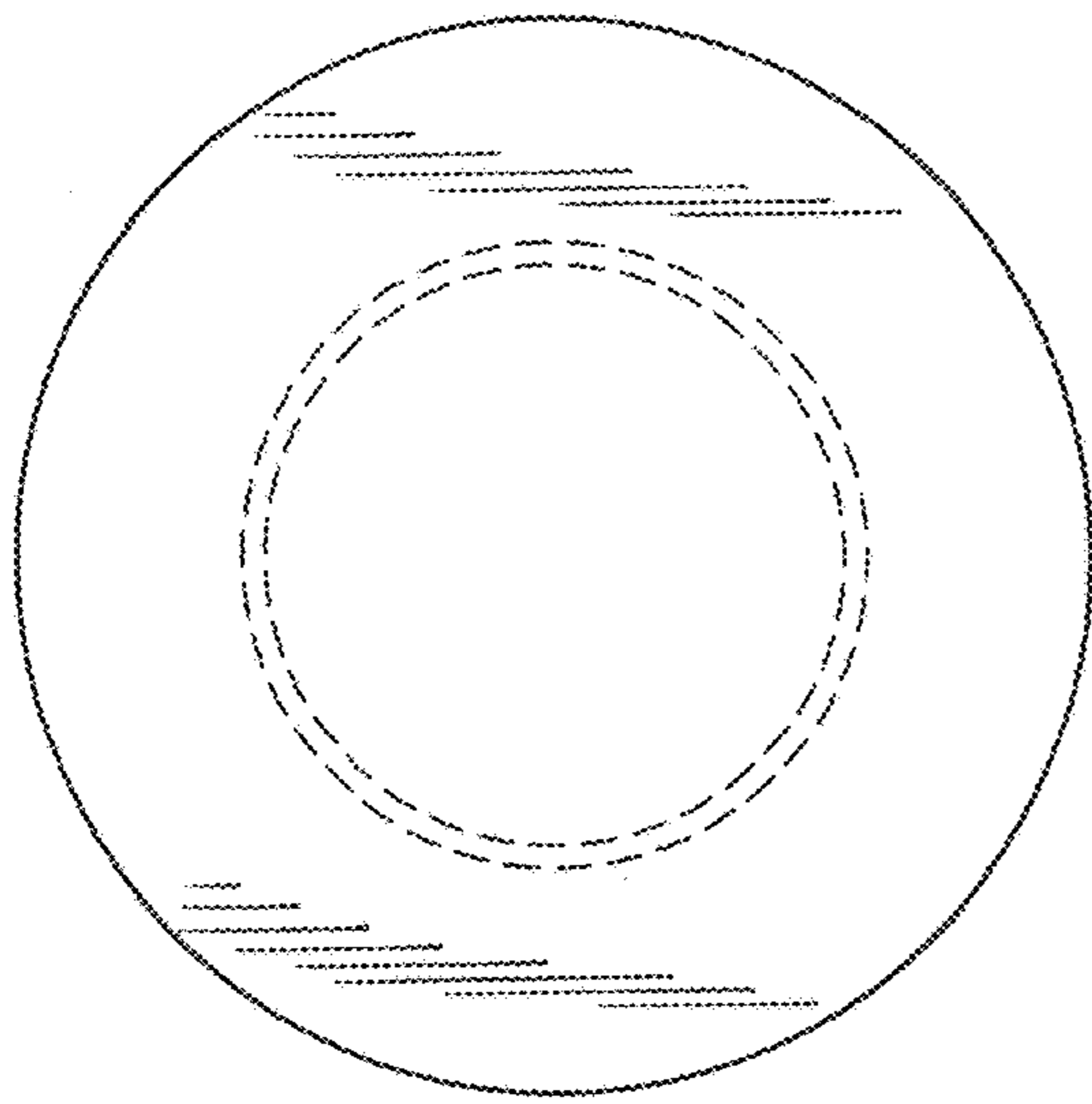


FIG. 3

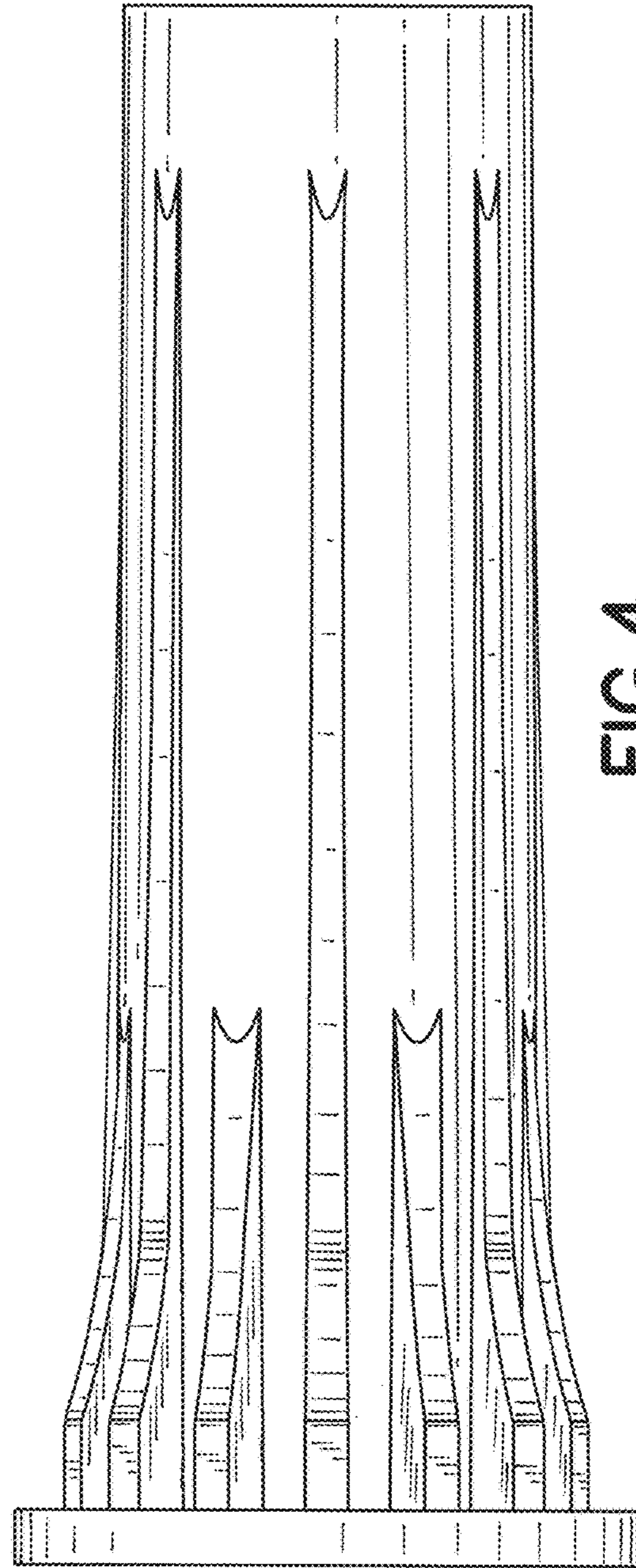


FIG. 4

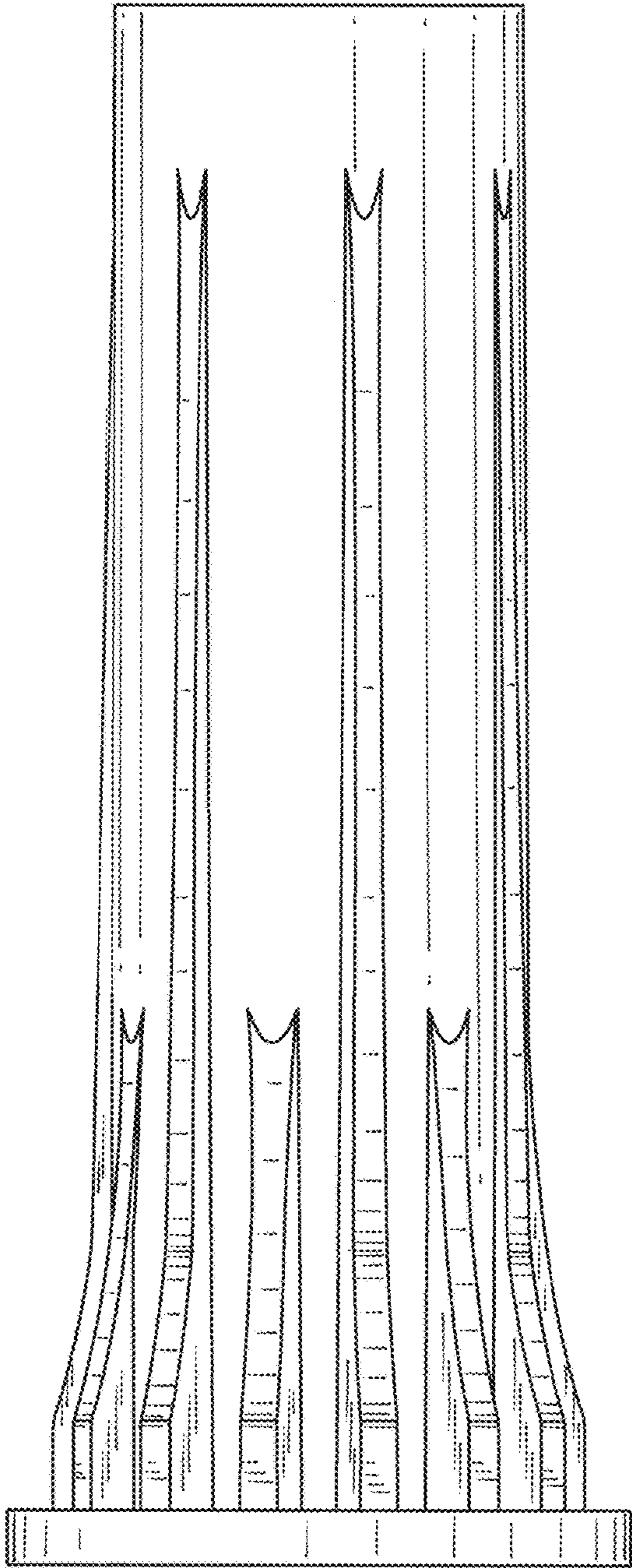


FIG. 5

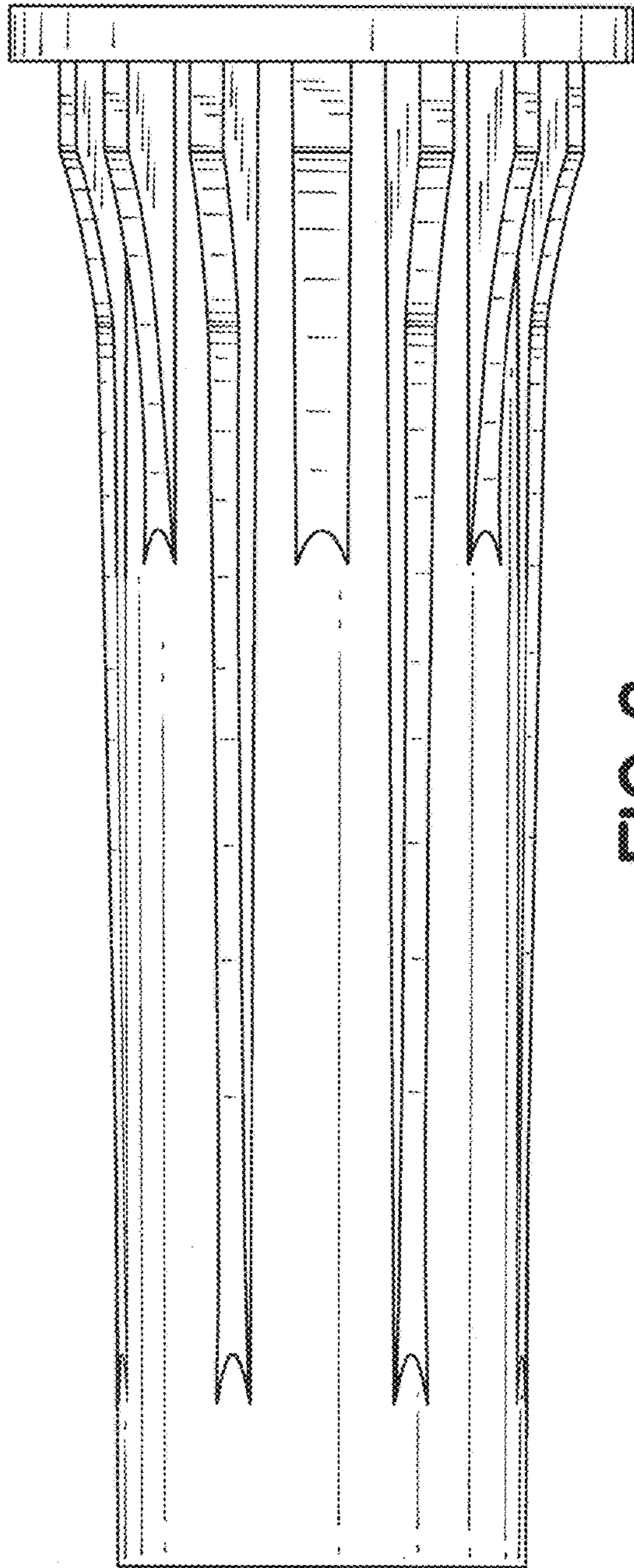


FIG. 6

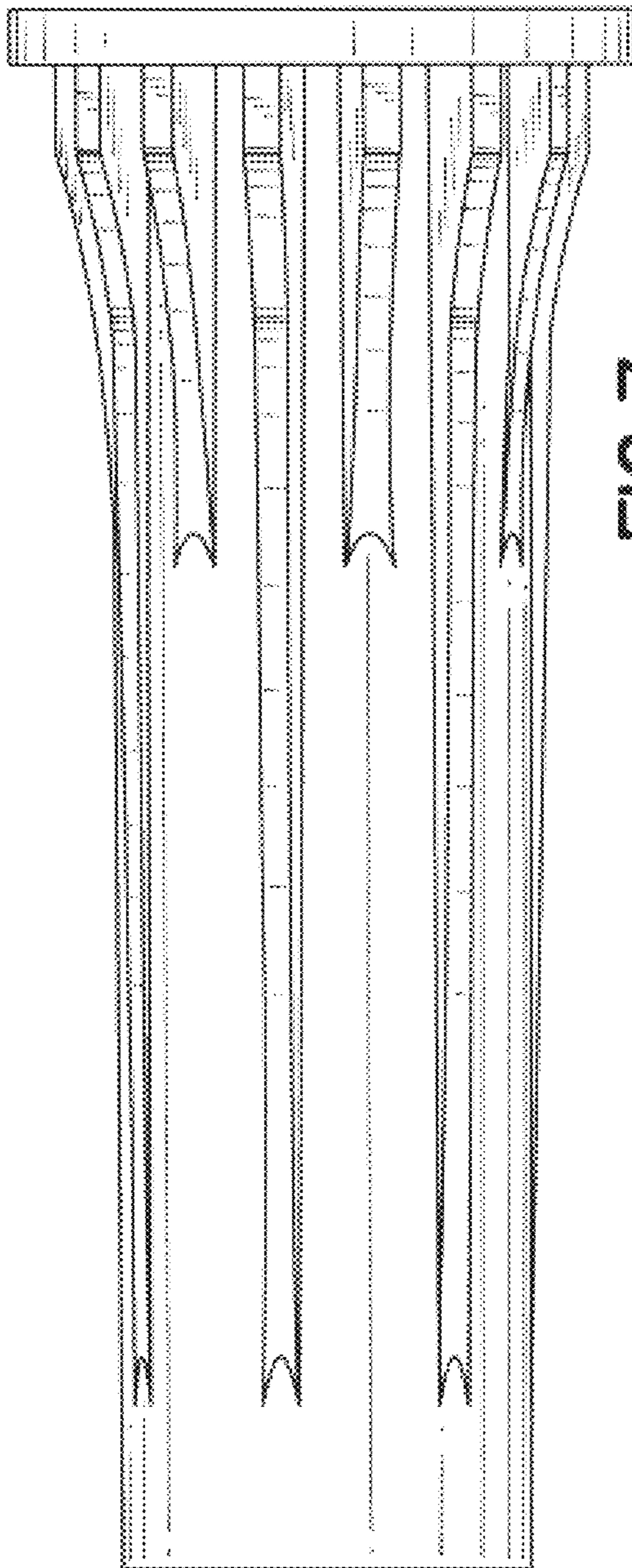


FIG. 7

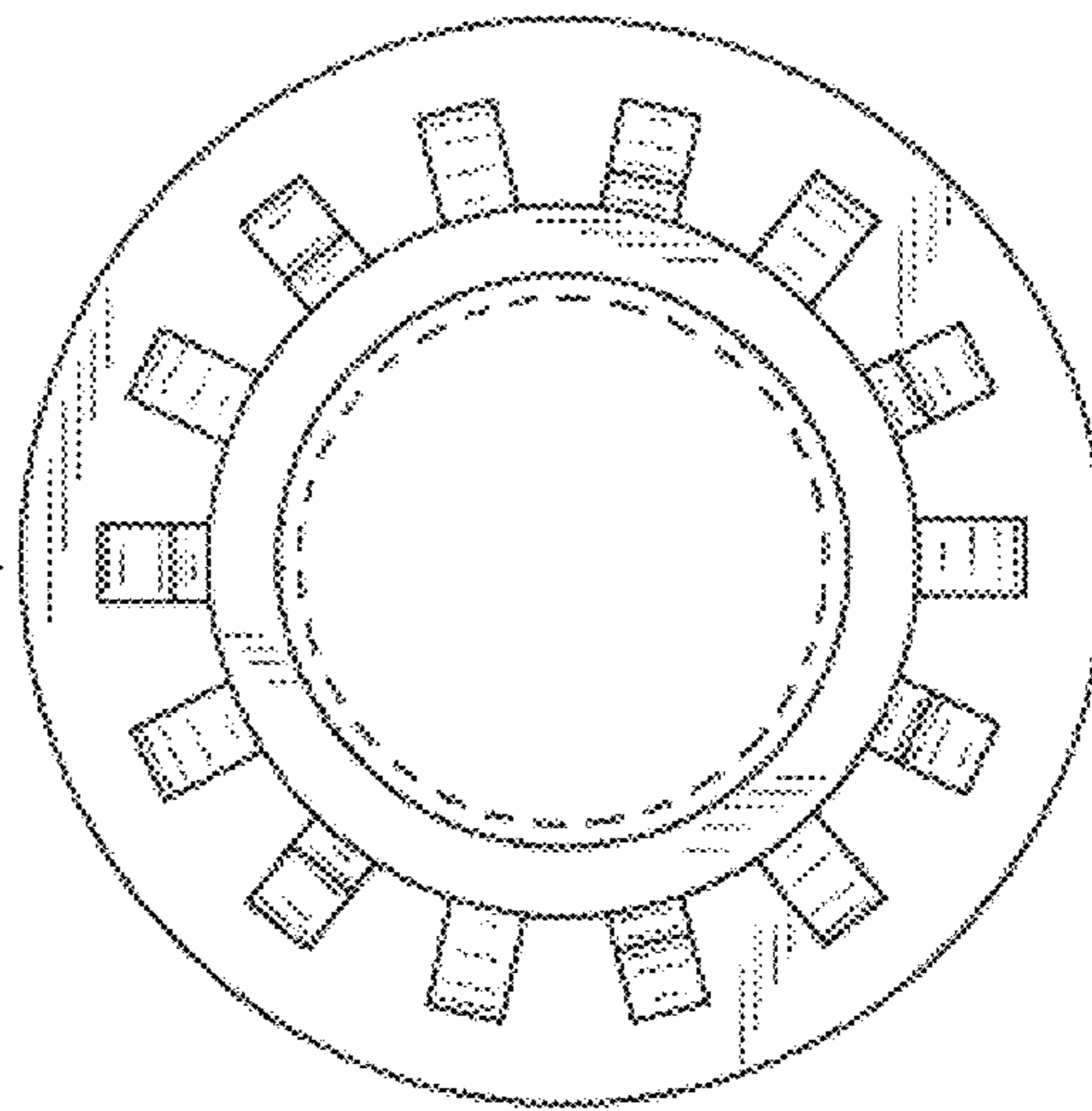


FIG. 8

9

9

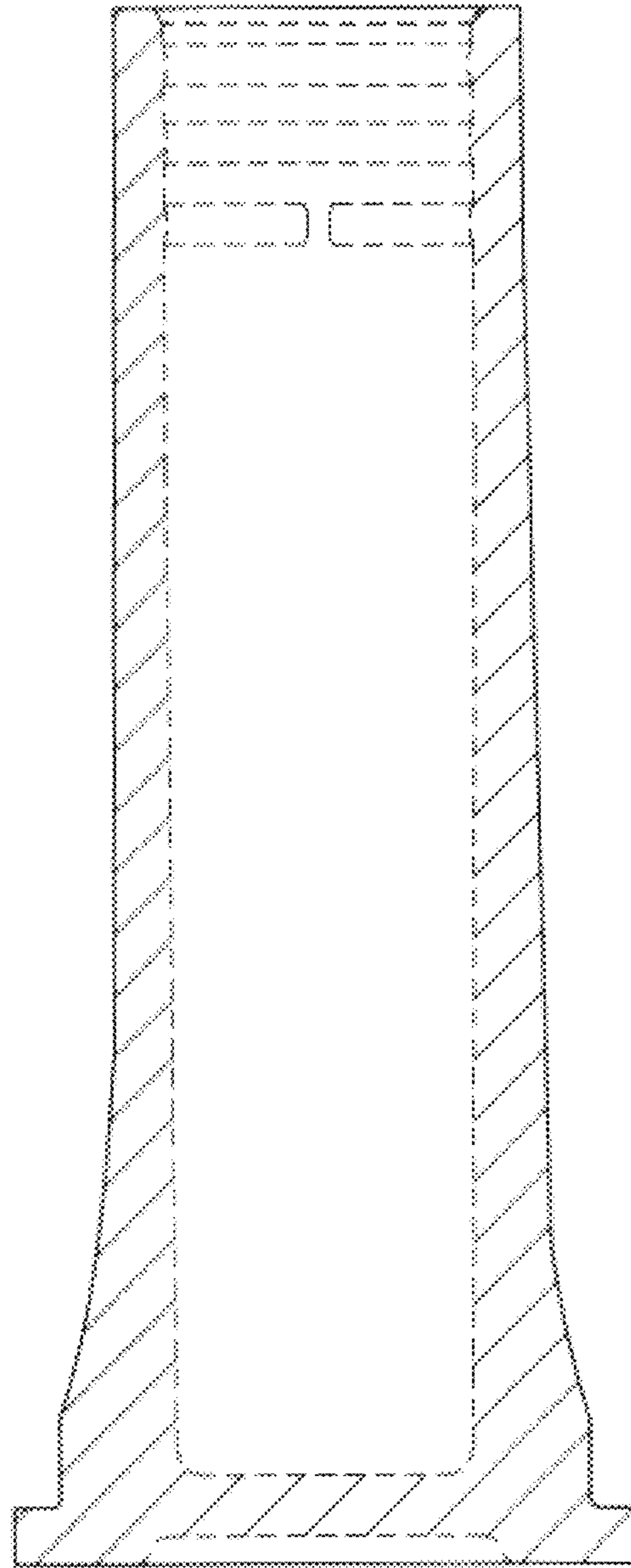


FIG. 9