



US00D881389S

(12) **United States Design Patent**  
**Wang et al.**

(10) **Patent No.:** **US D881,389 S**  
(45) **Date of Patent:** **\*\* Apr. 14, 2020**

- (54) **IV SPIKE**
- (71) Applicant: **Avent, Inc.**, Alpharetta, GA (US)
- (72) Inventors: **Ruoya Wang**, Decatur, GA (US); **Ryan Smith**, Atlanta, GA (US)
- (73) Assignee: **Avent, Inc.**, Alpharetta, GA (US)
- (\*\*) Term: **15 Years**
- (21) Appl. No.: **29/673,463**
- (22) Filed: **Dec. 14, 2018**
- (51) **LOC (12) Cl.** ..... **24-02**
- (52) **U.S. Cl.**  
USPC ..... **D24/129**
- (58) **Field of Classification Search**  
USPC ..... D24/127–131, 112–114, 133, 186;  
606/181, 185; 604/264, 523–528, 272,  
604/187, 158, 164.01–164.11, 181, 184,  
604/227; 600/101, 139, 143;  
128/200.24, 207.14, 207.15  
CPC ..... A61M 5/40; A61M 5/36; A61M 5/162;  
A61M 5/14; A61M 25/0693; A61M  
5/3286; A61M 5/1408; A61J 2001/201;  
A61J 1/2089; A22C 17/0053; A61B  
17/1671  
See application file for complete search history.

- 4,870,987 A \* 10/1989 Cheng ..... A61M 5/40  
137/192
- 5,071,413 A \* 12/1991 Utterberg ..... A61M 5/162  
604/411
- 5,533,647 A \* 7/1996 Long-Hsiung ..... A61M 5/162  
222/83
- 5,694,686 A \* 12/1997 Lopez ..... A61M 5/14  
29/890.126
- 6,261,267 B1 \* 7/2001 Chen ..... A61M 5/40  
604/247
- 10,413,662 B2 \* 9/2019 Yeh ..... A61M 5/16822
- 2011/0275988 A1 \* 11/2011 Davis ..... A61M 5/1411  
604/82
- 2016/0081308 A1 \* 3/2016 Cary ..... A61M 5/1582  
222/80
- 2018/0161243 A1 \* 6/2018 Ariagno ..... A61M 5/162

\* cited by examiner

*Primary Examiner* — Nathan M Johnston  
(74) *Attorney, Agent, or Firm* — Dority & Manning, P.A.

(57) **CLAIM**

The ornamental design for an IV spike, as shown and described.

**DESCRIPTION**

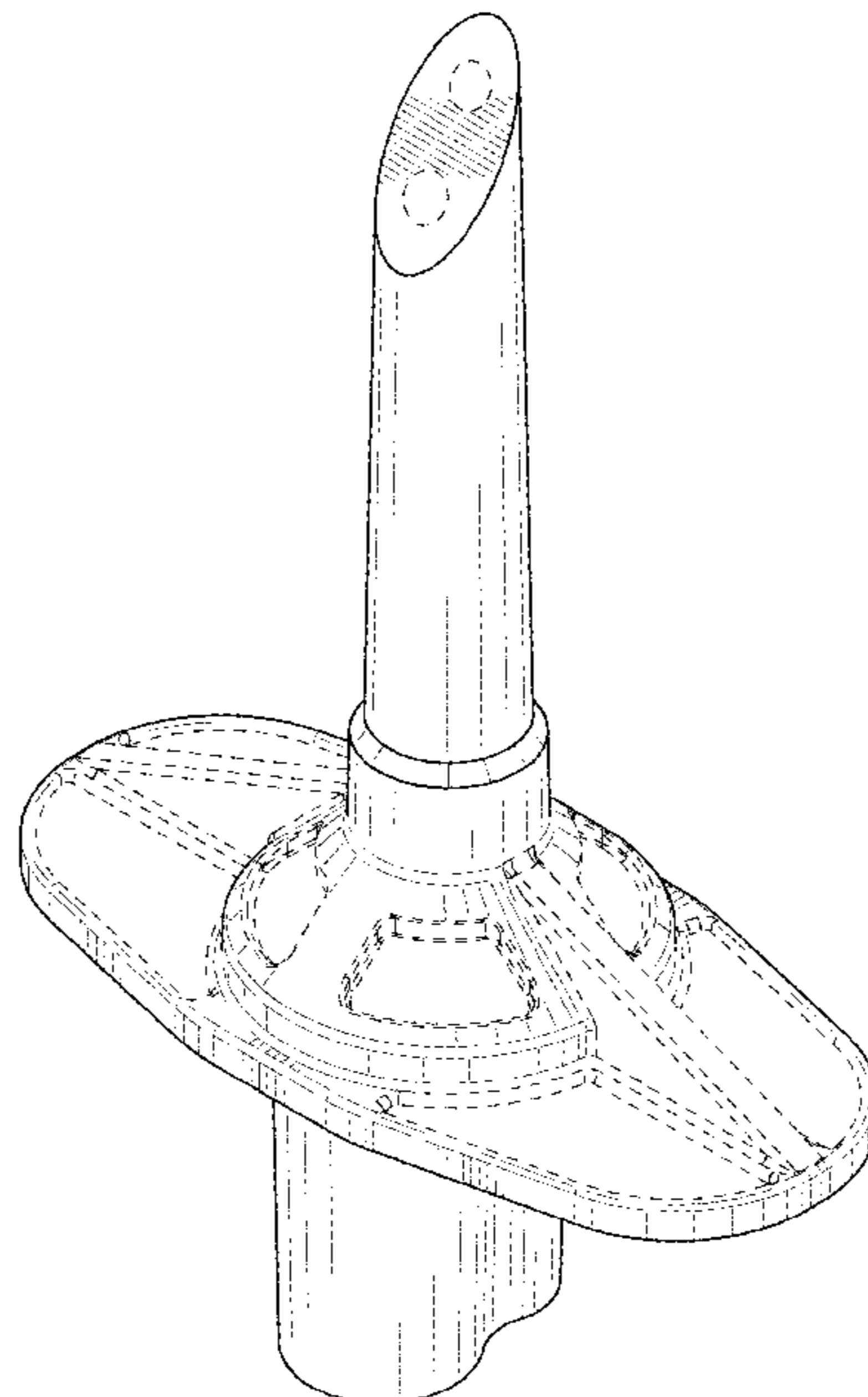
FIG. 1 is a front perspective view of an IV spike according to the present design;  
FIG. 2 is a rear perspective view of the IV spike of FIG. 1;  
FIG. 3 is a front view of the IV spike of FIG. 1;  
FIG. 4 is a rear view of the IV spike of FIG. 1;  
FIG. 5 is a right side view of the IV spike of FIG. 1;  
FIG. 6 is a left side view of the IV spike of FIG. 1;  
FIG. 7 is a top view of the IV spike of FIG. 1; and,  
FIG. 8 is a bottom view of the IV spike of FIG. 1.  
The broken lines show portions of the design that form no part of the claimed design.

**1 Claim, 6 Drawing Sheets**

(56) **References Cited**

**U.S. PATENT DOCUMENTS**

- 4,262,671 A \* 4/1981 Kersten ..... A61M 5/162  
604/251
- D268,698 S \* 4/1983 Knute ..... D24/112
- 4,411,661 A \* 10/1983 Kersten ..... A61M 5/162  
222/567
- 4,834,744 A \* 5/1989 Ritson ..... A61M 5/162  
604/411



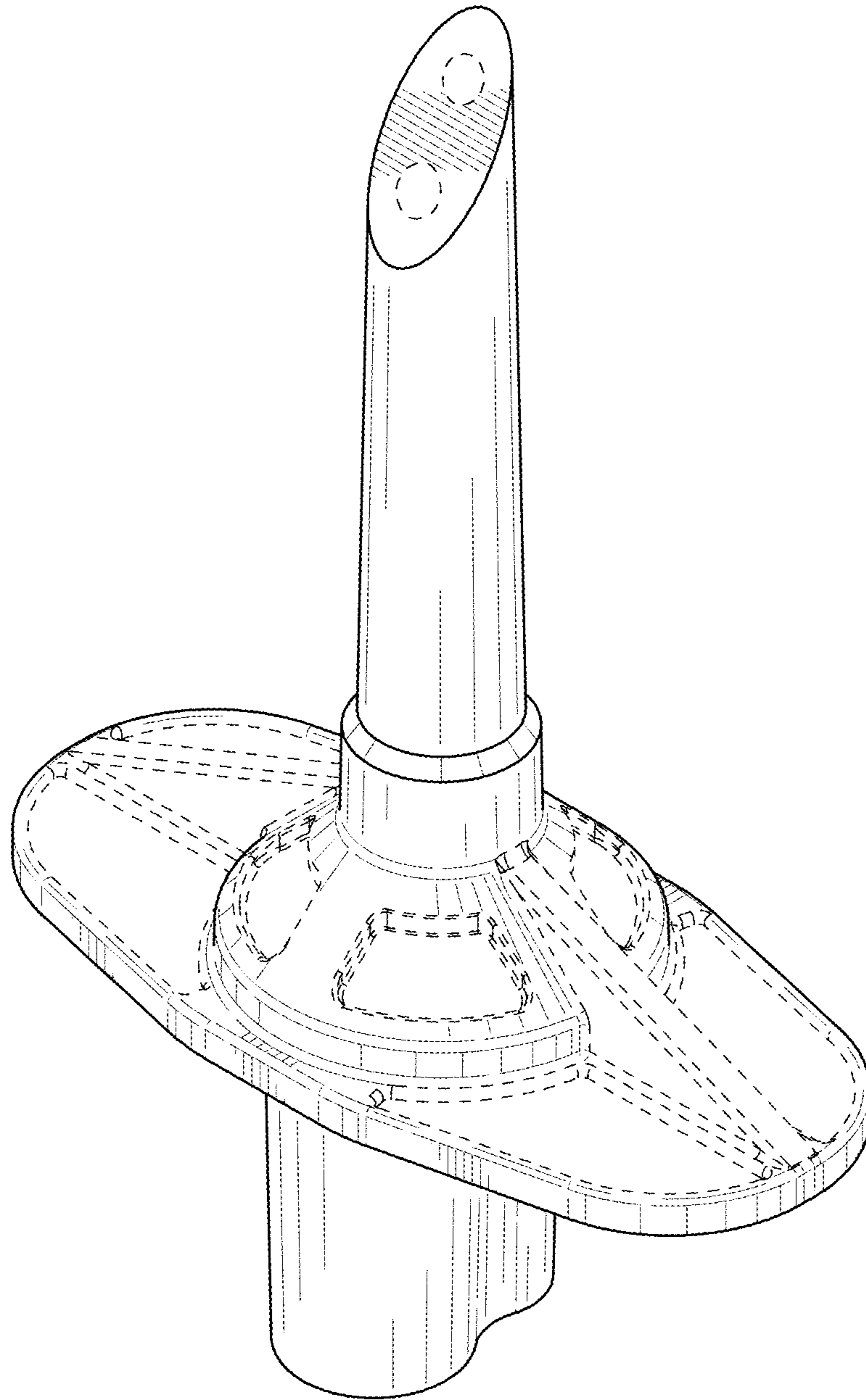


FIG. 1

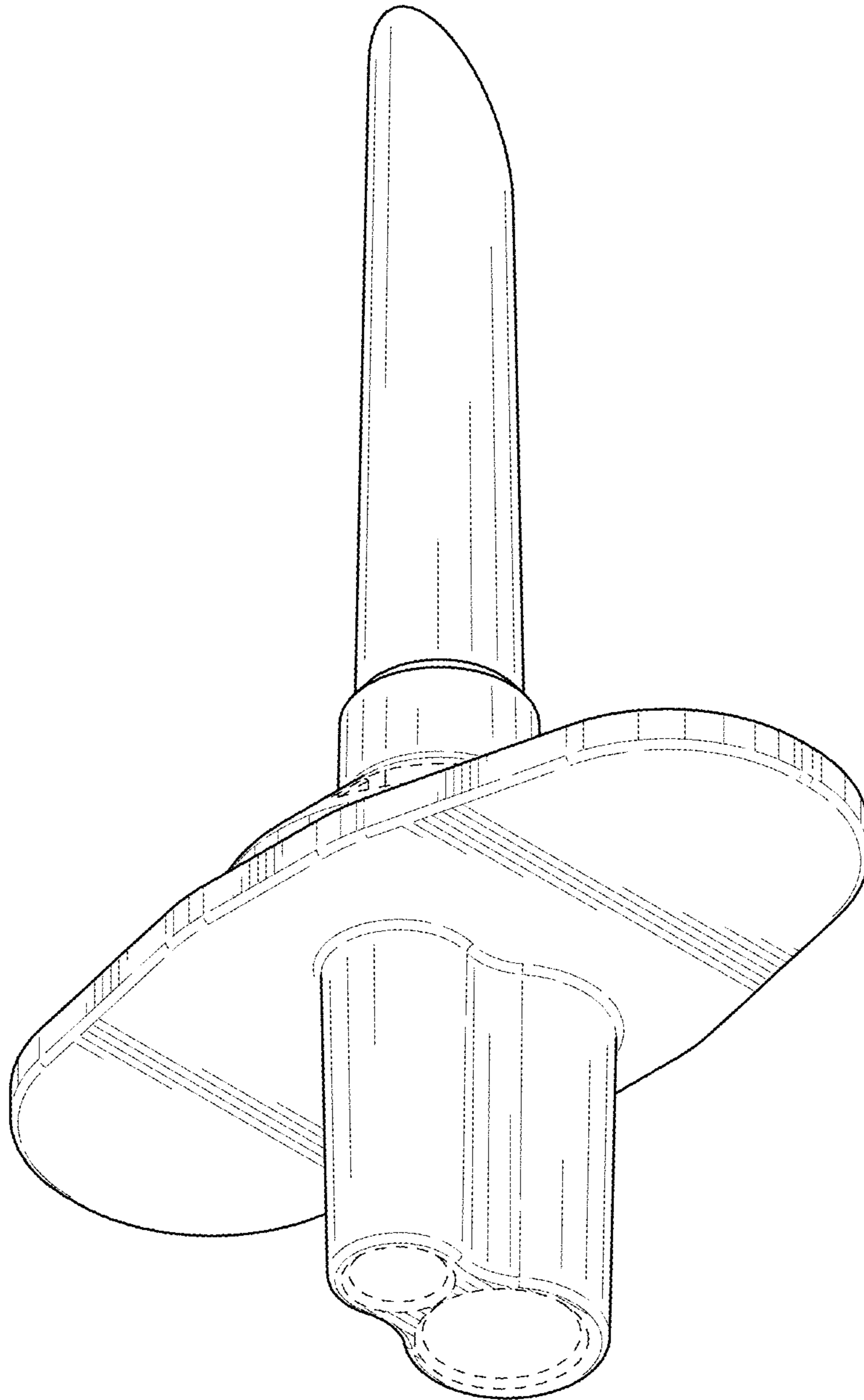


FIG. 2

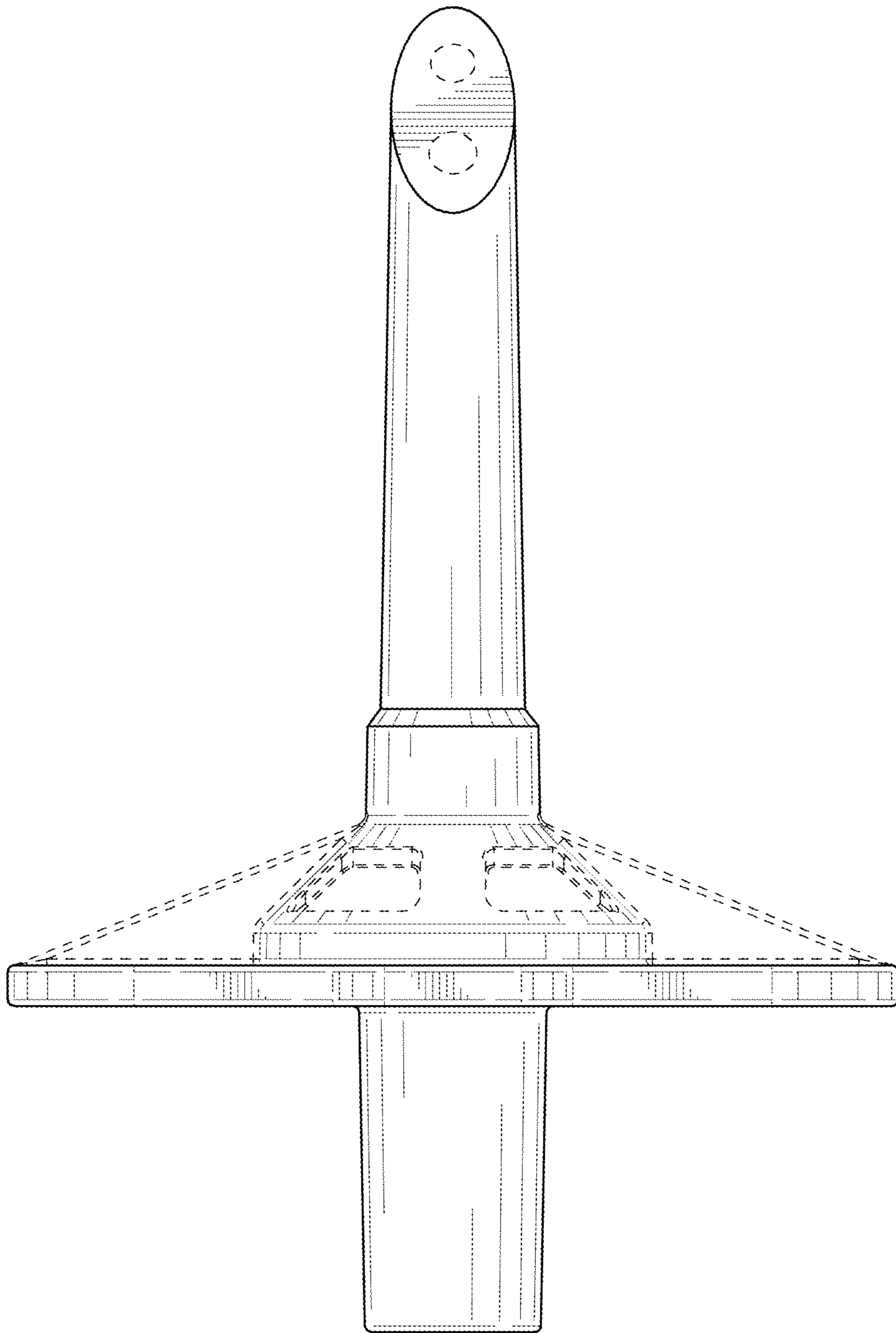


FIG. 3

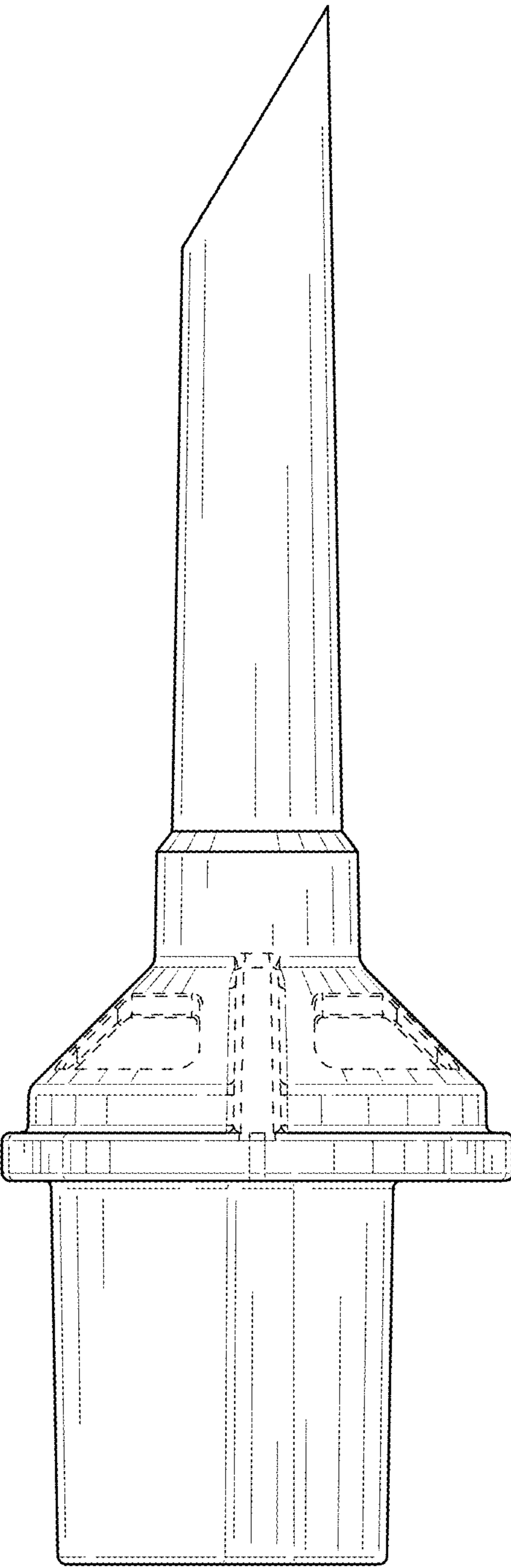


FIG. 4

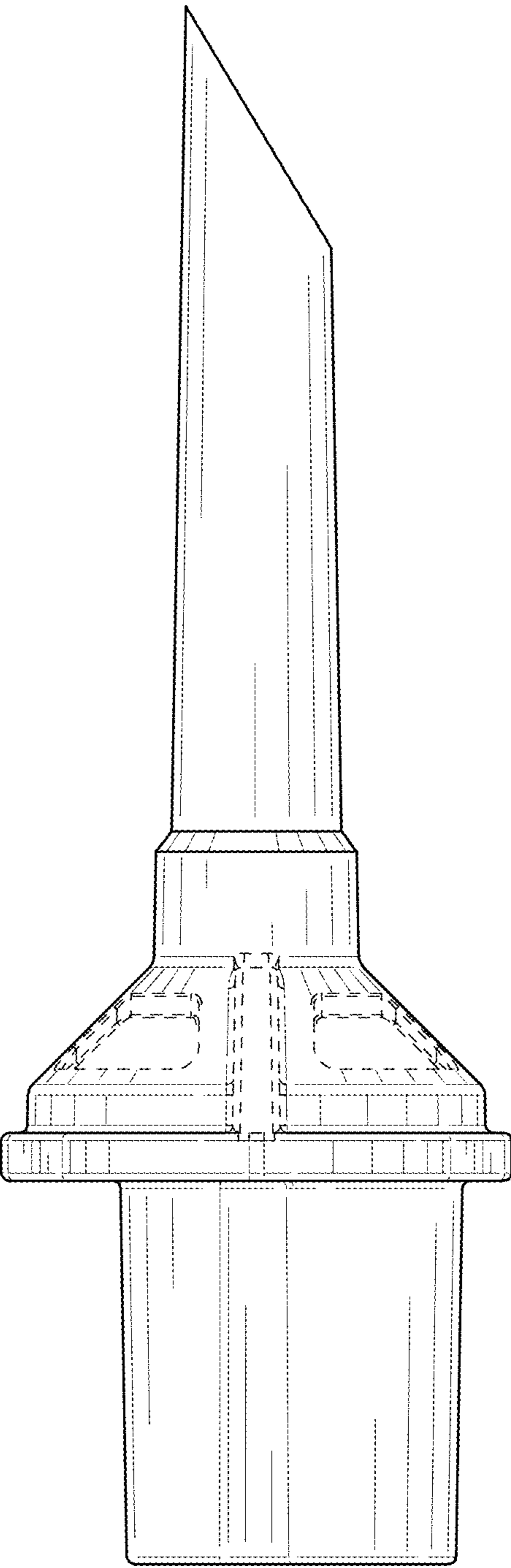


FIG. 6

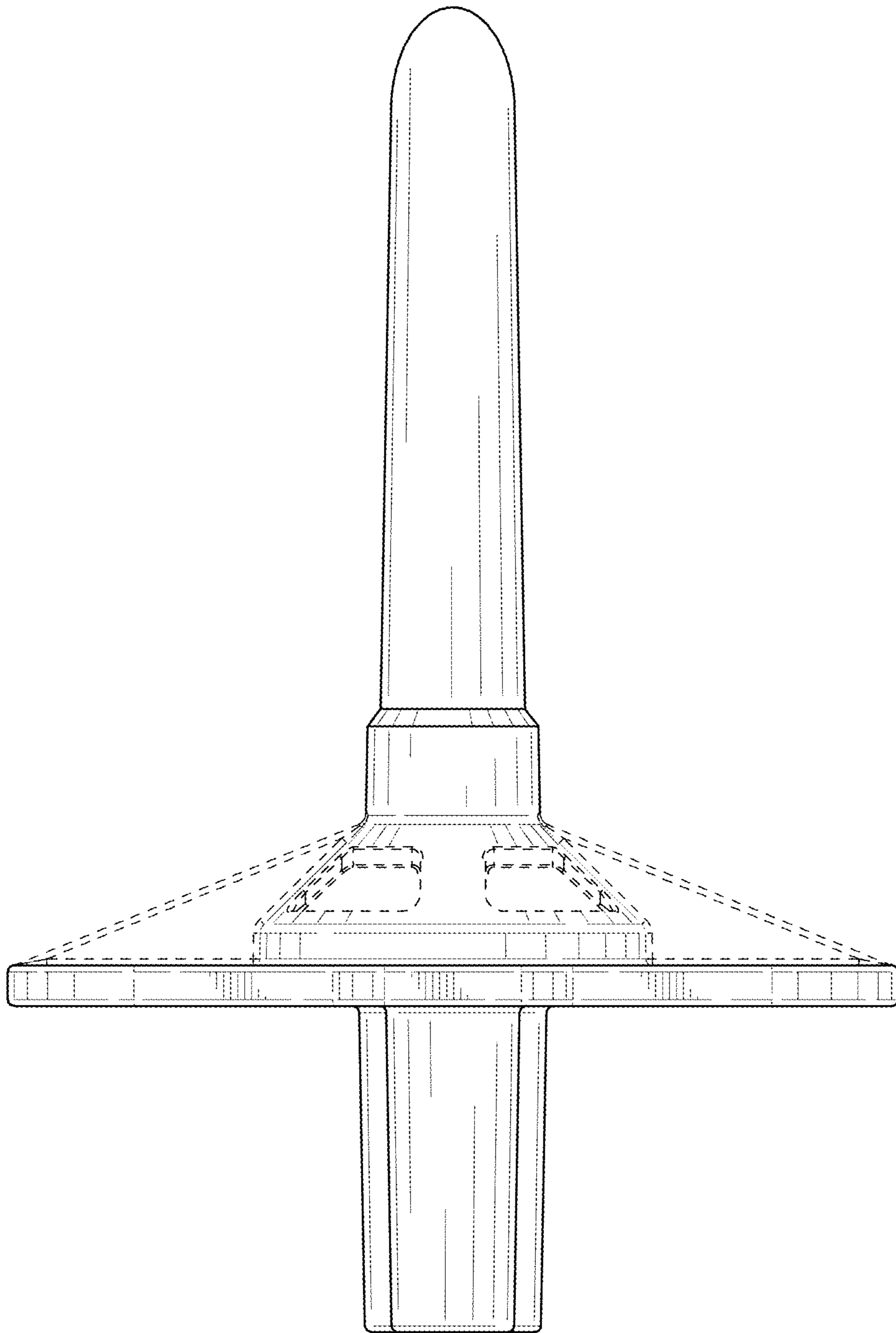


FIG. 5

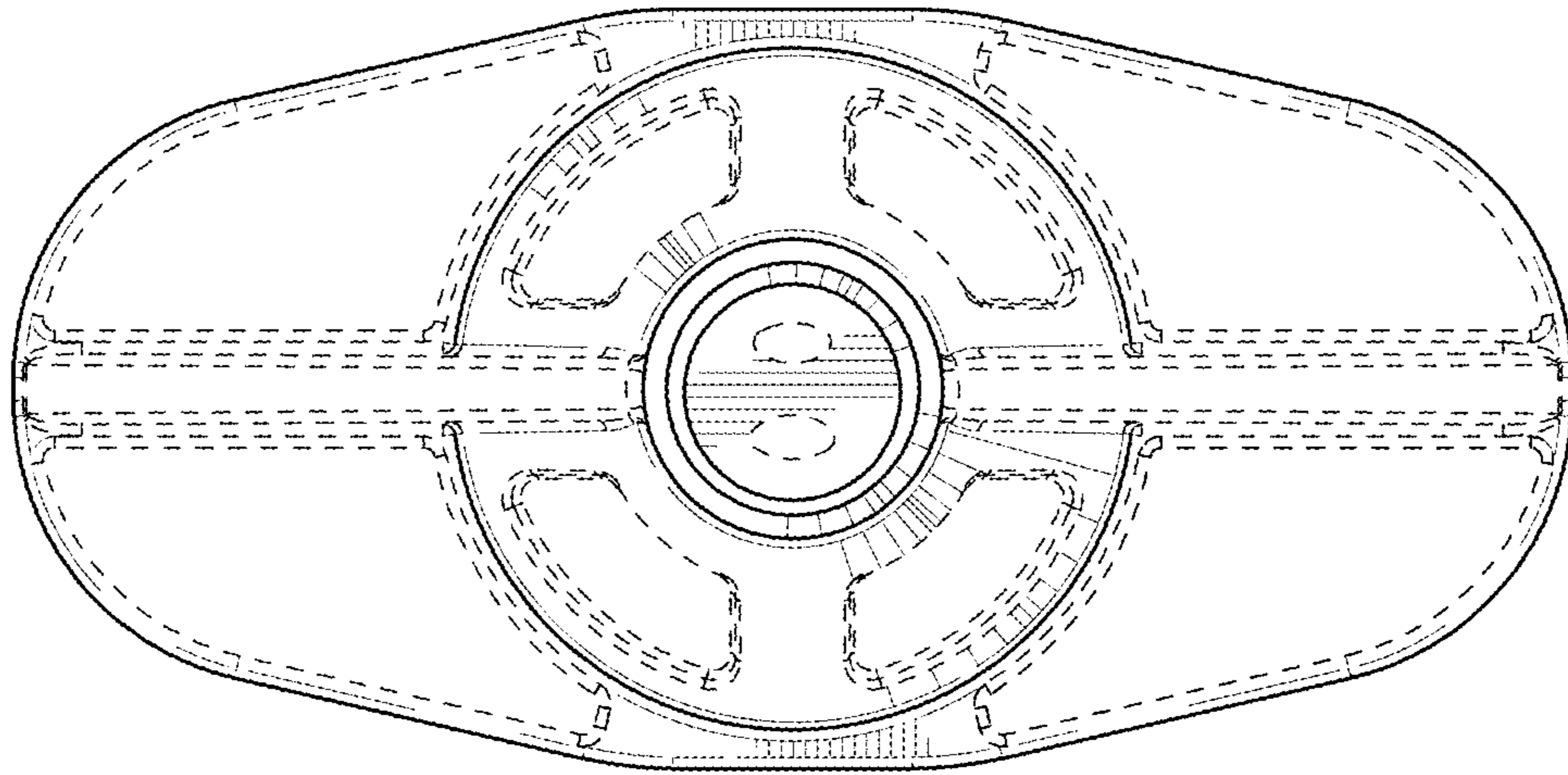


FIG. 7

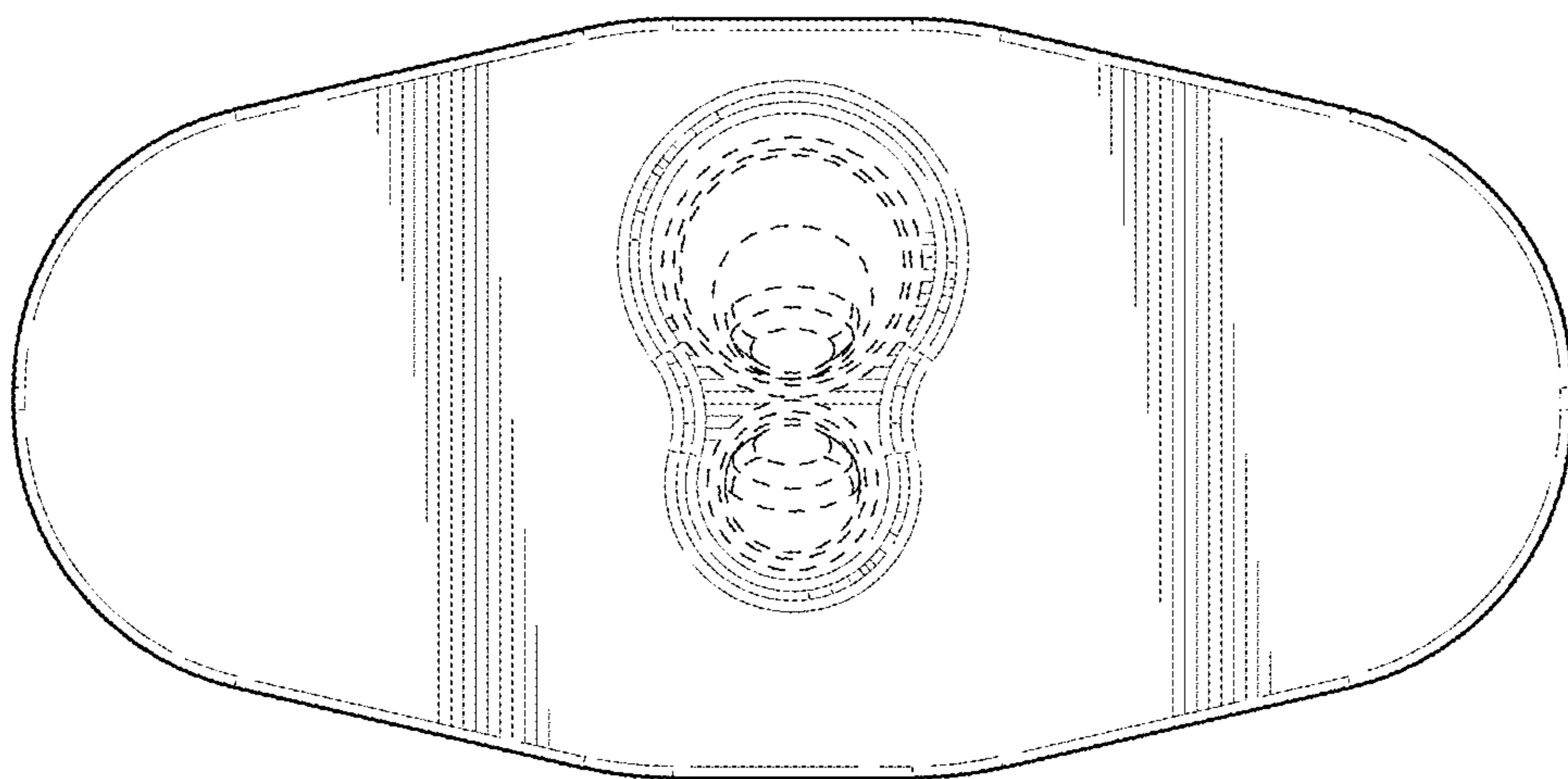


FIG. 8