



US00D881388S

(12) **United States Design Patent** (10) **Patent No.:** **US D881,388 S**
Ziemann et al. (45) **Date of Patent:** **** Apr. 14, 2020**

(54) **TUBE SECUREMENT DEVICE**
(71) Applicant: **3M INNOVATIVE PROPERTIES COMPANY**, Saint Paul, MN (US)
(72) Inventors: **Denise J. Ziemann**, Fridley, MN (US); **Kimberly A. Schommer**, Hudson, WI (US); **Amanda C. Engler**, Woodbury, MN (US); **James M. Sieracki**, Plymouth, MN (US); **Michael J. Turnbull**, Woodbury, MN (US)

D291,406 S 8/1987 McNeese
5,056,191 A 10/1991 Love
5,113,921 A 5/1992 Pool
D326,918 S * 6/1992 Roberts D24/194
D361,021 S 8/1995 Harper
D375,356 S * 11/1996 Bierman 604/180
5,735,272 A * 4/1998 Dillon A61M 16/0666
128/207.18
D401,329 S * 11/1998 Bierman D24/128
D409,522 S 5/1999 Satterfield

(Continued)

FOREIGN PATENT DOCUMENTS

CN 100500243 8/2007
CN 205698801 11/2016

(Continued)

Primary Examiner — Nathan M Johnston
(74) *Attorney, Agent, or Firm* — 3M Innovative Properties Company; Trisha D. Adamson

(73) Assignee: **3M Innovative Properties Company**, Saint Paul, MN (US)

(**) Term: **15 Years**

(21) Appl. No.: **29/693,303**

(22) Filed: **May 31, 2019**

(51) **LOC (12) Cl.** **24-02**

(52) **U.S. Cl.**
USPC **D24/128**

(58) **Field of Classification Search**
USPC D24/127–131, 112–114, 133, 186;
606/181, 185; 604/264, 523–528, 272,
604/187, 158, 164.01–164.11, 181, 184,
604/227; 600/101, 139, 143;
128/200.24, 207.14, 207.15
CPC A61M 5/42; A61M 25/0612; A61M 25/00;
A61M 39/00; A61M 27/00; A61M
25/0043; A61M 25/0067; A61M 25/0097;
A61F 2/958
See application file for complete search history.

(57) **CLAIM**

The ornamental design for a tube securement device, as shown and described.

DESCRIPTION

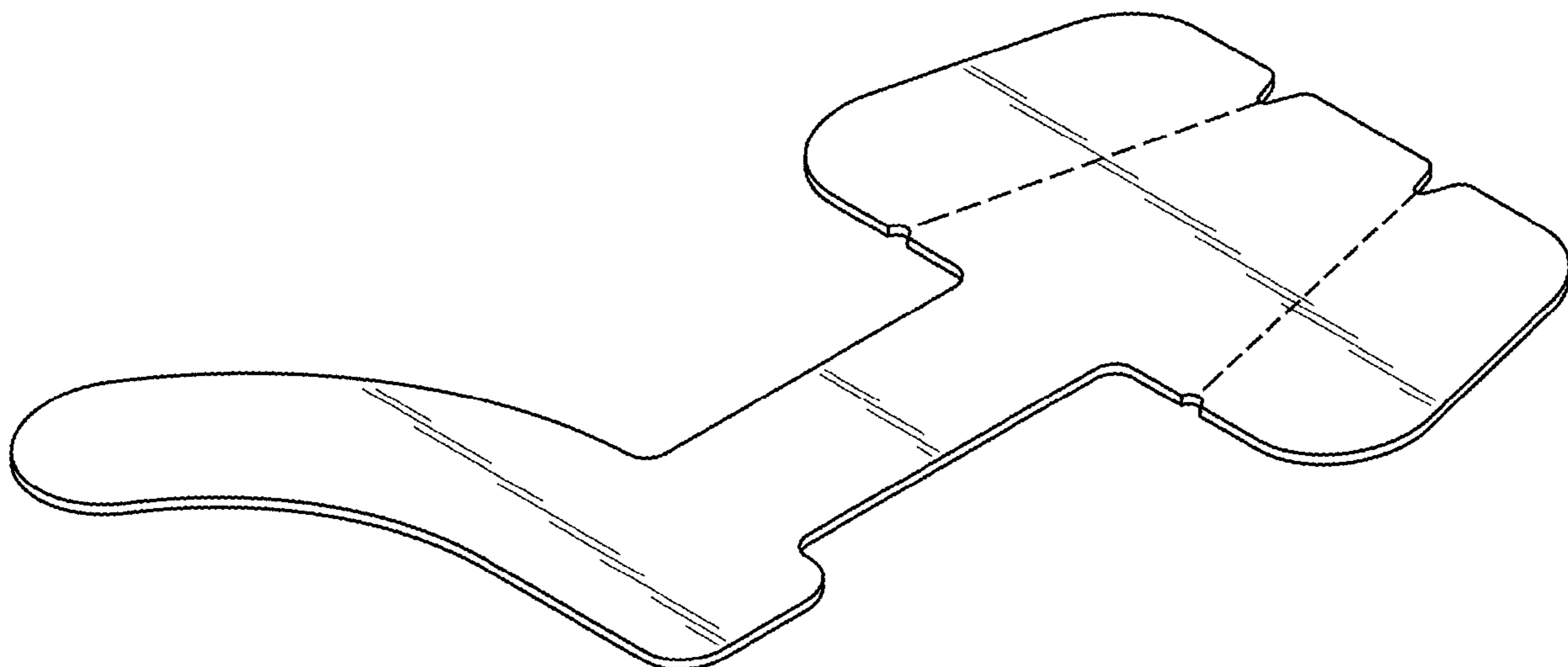
FIG. 1 is a perspective view showing the new design for a tube securement device;
FIG. 2 is a front view thereof;
FIG. 3 is a back view thereof;
FIG. 4 is a right side view thereof;
FIG. 5 is a left side view thereof;
FIG. 6 is a top view thereof; and,
FIG. 7 is a bottom view thereof.
The surface shading illustrated in the drawings is provided merely to highlight the contour of design; it is not intended to be illustrative of texture or gloss.
The broken lines in the drawings represent perforated lines within the tube securement device front and rear surface and form part of the claimed design.

(56) **References Cited**

U.S. PATENT DOCUMENTS

D33,942 S * 1/1901 Pilling D24/135
D34,339 S * 4/1901 Pilling D24/135
2,050,045 A 8/1936 Eden, Jr.
D246,346 S 11/1977 Strunk

1 Claim, 2 Drawing Sheets



(56)

References Cited

U.S. PATENT DOCUMENTS

6,317,925 B1 11/2001 Pietryga
 6,579,587 B2 6/2003 Schnoebelen, Jr.
 D491,046 S 6/2004 Johnson
 D565,401 S 4/2008 Grady
 D599,196 S 9/2009 Ruffin
 7,624,480 B2 12/2009 Coronel
 7,638,015 B2 12/2009 Schnoebelen, Jr.
 D622,840 S * 8/2010 Heitkamp D24/130
 D630,328 S 1/2011 Fishburne, Jr.
 D662,212 S * 6/2012 Quisenberry D24/206
 8,203,077 B2 6/2012 Honeycutt
 D666,722 S 9/2012 Dragan
 D669,316 S * 10/2012 Sanders D24/197
 D673,270 S * 12/2012 Brunner D24/135
 D679,023 S * 3/2013 Quisenberry D24/207
 D692,124 S * 10/2013 Austin D24/110.1
 D696,400 S * 12/2013 Brogden D24/135
 D720,849 S * 1/2015 Kyvik D24/128
 8,978,205 B2 3/2015 Kim
 D753,294 S * 4/2016 Guyuron D24/135
 D756,073 S 5/2016 Mahoney
 9,340,341 B2 5/2016 Farrell
 D766,421 S * 9/2016 Ging D24/110
 D771,820 S * 11/2016 Haye D24/186
 9,601,880 B2 3/2017 Rynaski
 D787,681 S * 5/2017 Montgomery D24/184

D788,298 S * 5/2017 Guyuron D24/135
 D800,479 S * 10/2017 Wilkinson D6/592
 D813,016 S 3/2018 Deneau
 D827,144 S * 8/2018 Oliveira D24/189
 10,104,790 B2 10/2018 Lee
 10,120,421 B1 11/2018 Hong
 D857,888 S * 8/2019 Ierulli D24/135
 D858,762 S * 9/2019 Ierulli D24/135
 D859,684 S * 9/2019 Edwards D24/223
 D861,456 S 10/2019 Sandoval
 D862,707 S * 10/2019 Roelse D24/184
 D872,292 S * 1/2020 Liebman D24/206
 2001/0013277 A1 8/2001 Galkiewicz
 2005/0161249 A1 7/2005 McBain
 2006/0032032 A1 2/2006 Cheng
 2010/0304324 A1 12/2010 Dragan
 2017/0246632 A1 8/2017 Slepian

FOREIGN PATENT DOCUMENTS

KR 200416835 5/2006
 KR 100858334 9/2007
 WO WO 1997-24222 10/1997
 WO WO 2017-034907 3/2017
 WO WO 2017-034909 3/2017
 WO WO 2017-034911 3/2017
 WO WO 2017-034912 3/2017

* cited by examiner

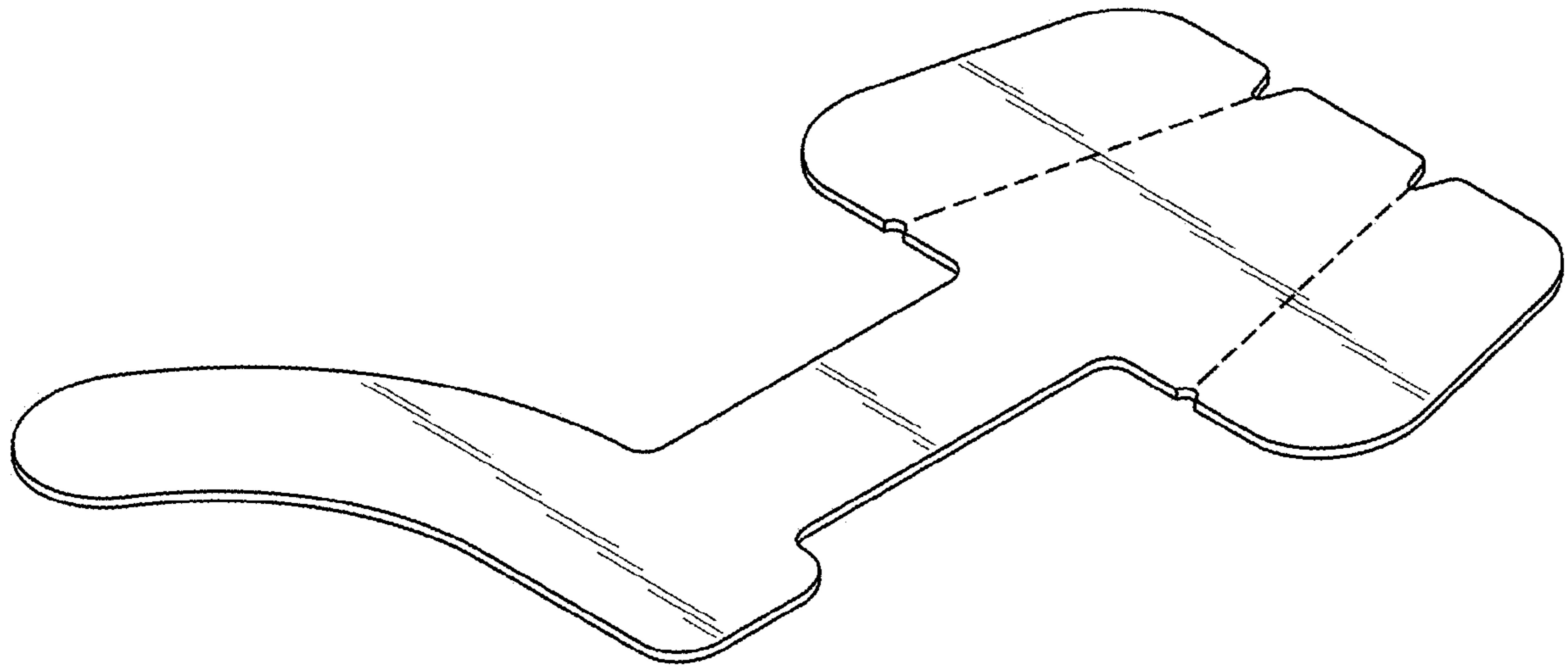


Fig. 1

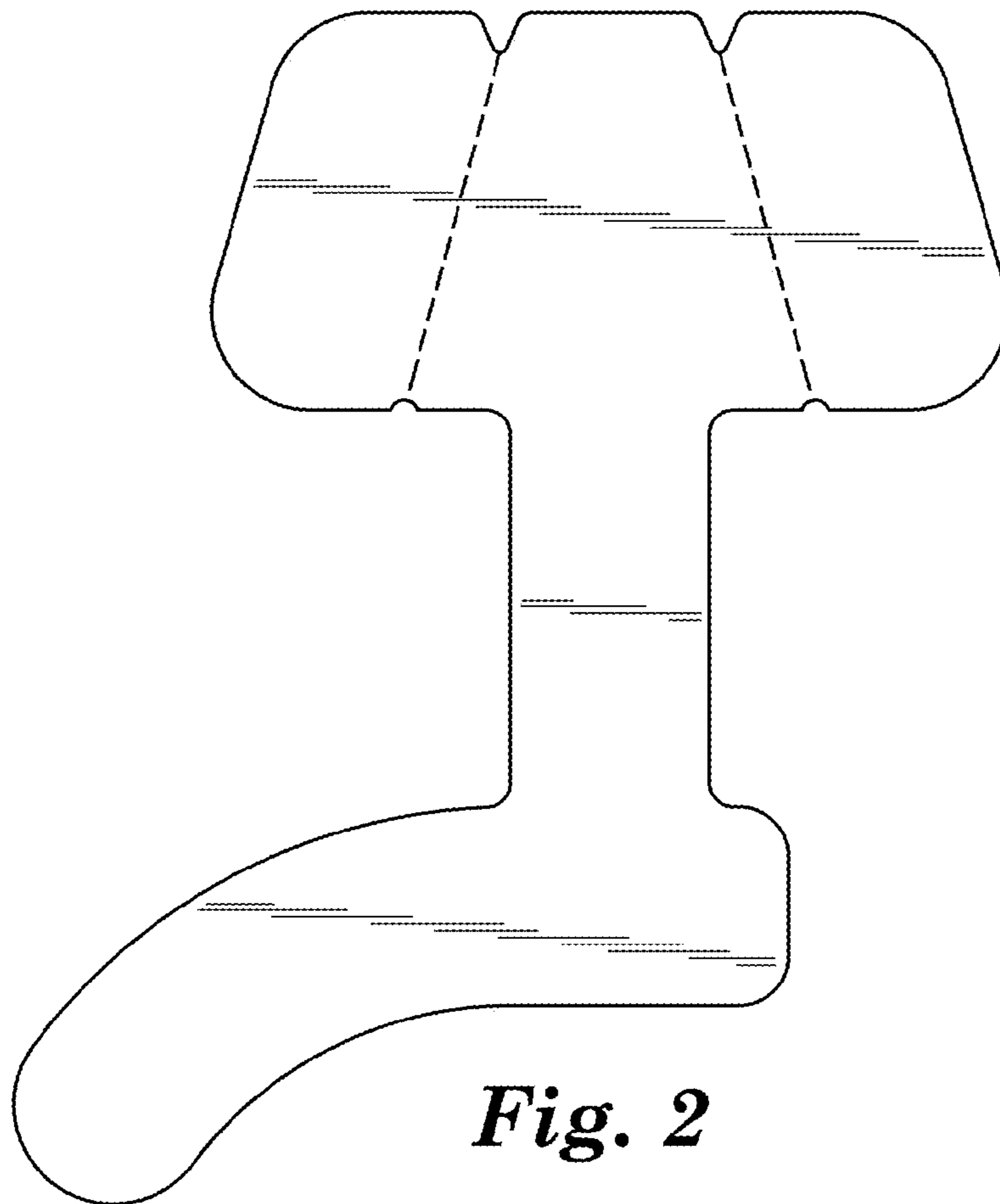


Fig. 2

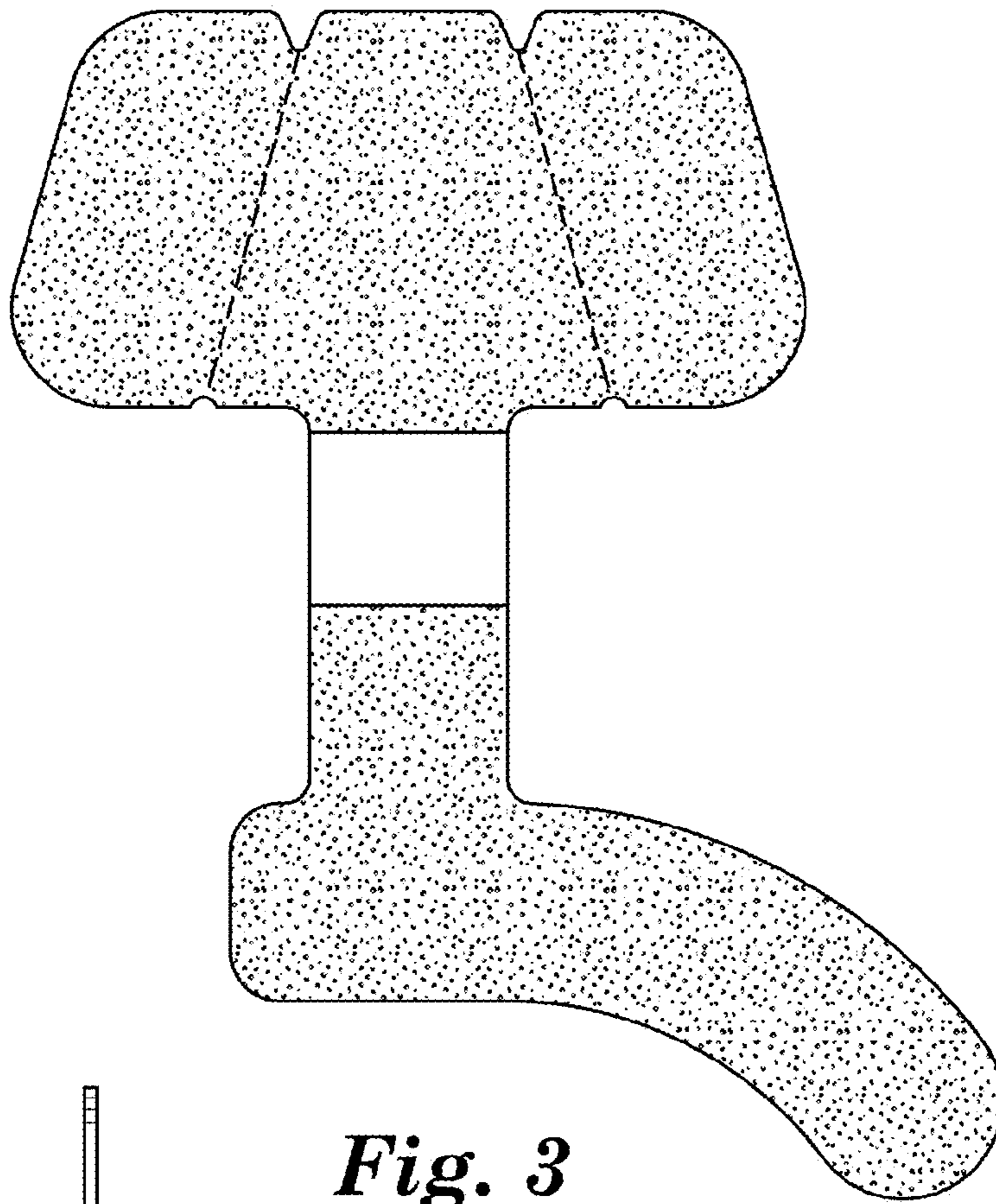


Fig. 3



Fig. 4

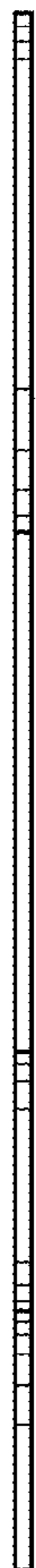


Fig. 5



Fig. 6



Fig. 7