



US00D881387S

(12) **United States Design Patent** (10) **Patent No.:** **US D881,387 S**
Ho (45) **Date of Patent:** **** Apr. 14, 2020**

(54) **SYRINGE TREE**
(71) Applicant: **Stephen S Ho**, Houston, TX (US)
(72) Inventor: **Stephen S Ho**, Houston, TX (US)
(**) Term: **15 Years**
(21) Appl. No.: **29/681,030**
(22) Filed: **Feb. 21, 2019**
(51) **LOC (12) Cl.** **24-02**
(52) **U.S. Cl.**
USPC **D24/128**
(58) **Field of Classification Search**
USPC D24/127-129, 110, 110.1, 110.4, 110.5,
D24/112, 164; D8/354, 356; D23/262
CPC A61M 2202/0275; A61M 16/16; A61M
2202/0208; A61M 16/0666; A61M
16/0875; A61M 16/0051; A61M 16/085;
A61M 16/0003; A61M 16/06; A61M
16/04; A61M 16/0497
See application file for complete search history.

D772,044 S * 11/2016 McCoy D8/354
D772,045 S * 11/2016 McCoy D8/354
D772,046 S * 11/2016 McCoy D8/354
D772,047 S * 11/2016 McCoy D8/354
D772,048 S * 11/2016 McCoy D8/354
D772,049 S * 11/2016 McCoy D8/354
D794,433 S * 8/2017 McCoy D8/354
D794,434 S * 8/2017 McCoy D8/354
D795,046 S * 8/2017 McCoy D8/354
D795,047 S * 8/2017 McCoy D8/354
D795,048 S * 8/2017 McCoy D8/354
D840,795 S * 2/2019 Tribbett B65D 63/16
D8/383

* cited by examiner

Primary Examiner — David G Muller
Assistant Examiner — Nathan M Johnston
(74) *Attorney, Agent, or Firm* — Whittaker Law Firm;
Malcolm E. Whittaker

(57) **CLAIM**

The ornamental design for a syringe tree, as shown and described.

DESCRIPTION

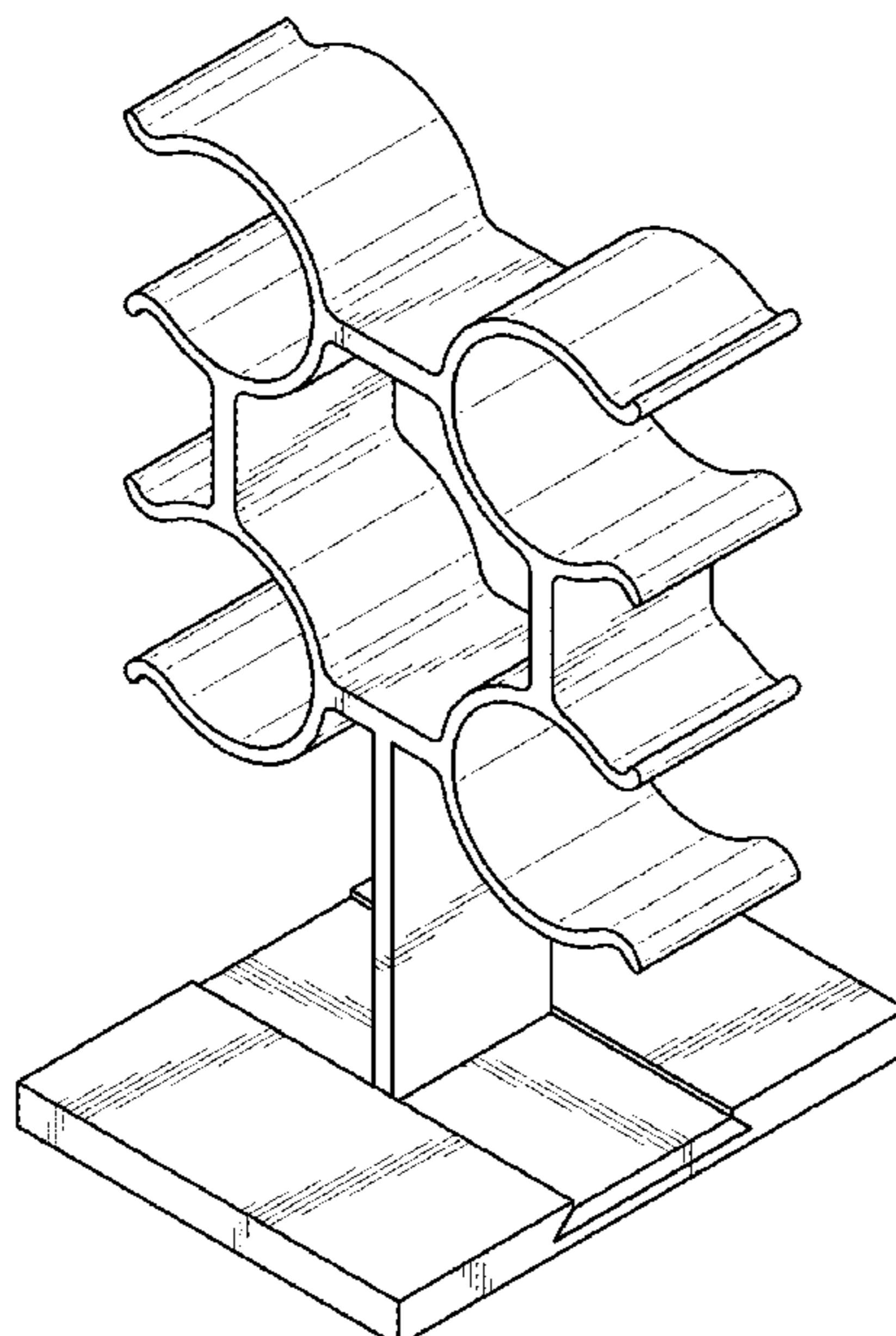
FIG. 1 illustrates a perspective view of a syringe tree showing my new design;
FIG. 2 illustrates a front view of the syringe tree. The rear view is a mirror image.
FIG. 3 illustrates a right side view of the syringe tree. The left side view is a mirror image
FIG. 4 illustrates a top view of the syringe tree.
FIG. 5 illustrates a bottom view of the syringe tree; and,
FIG. 6 illustrates a perspective environmental view of the syringe tree in use.
The broken line showing of parts of the drawings is included for the purpose of illustrating use and environment and forms no part of the claimed design.

1 Claim, 5 Drawing Sheets

(56) **References Cited**

U.S. PATENT DOCUMENTS

D237,046 S * 10/1975 Sloan D8/363
D261,960 S * 11/1981 Mathews D8/356
D269,155 S * 5/1983 Rose D8/356
D295,315 S * 4/1988 Nelson D24/130
D296,074 S * 6/1988 Seyfarth D8/354
D376,309 S * 12/1996 Takai D8/356
D427,048 S * 6/2000 Potter D8/356
D439,828 S * 4/2001 Kiely D8/356
D439,833 S * 4/2001 Nakamura D8/356
D447,931 S * 9/2001 Aitken D8/354
D484,769 S * 1/2004 Cheung B26B 21/527
D8/98
D534,060 S * 12/2006 Kiely D8/356
D733,534 S * 7/2015 Altrichter D8/356
D771,478 S * 11/2016 McCoy D8/354



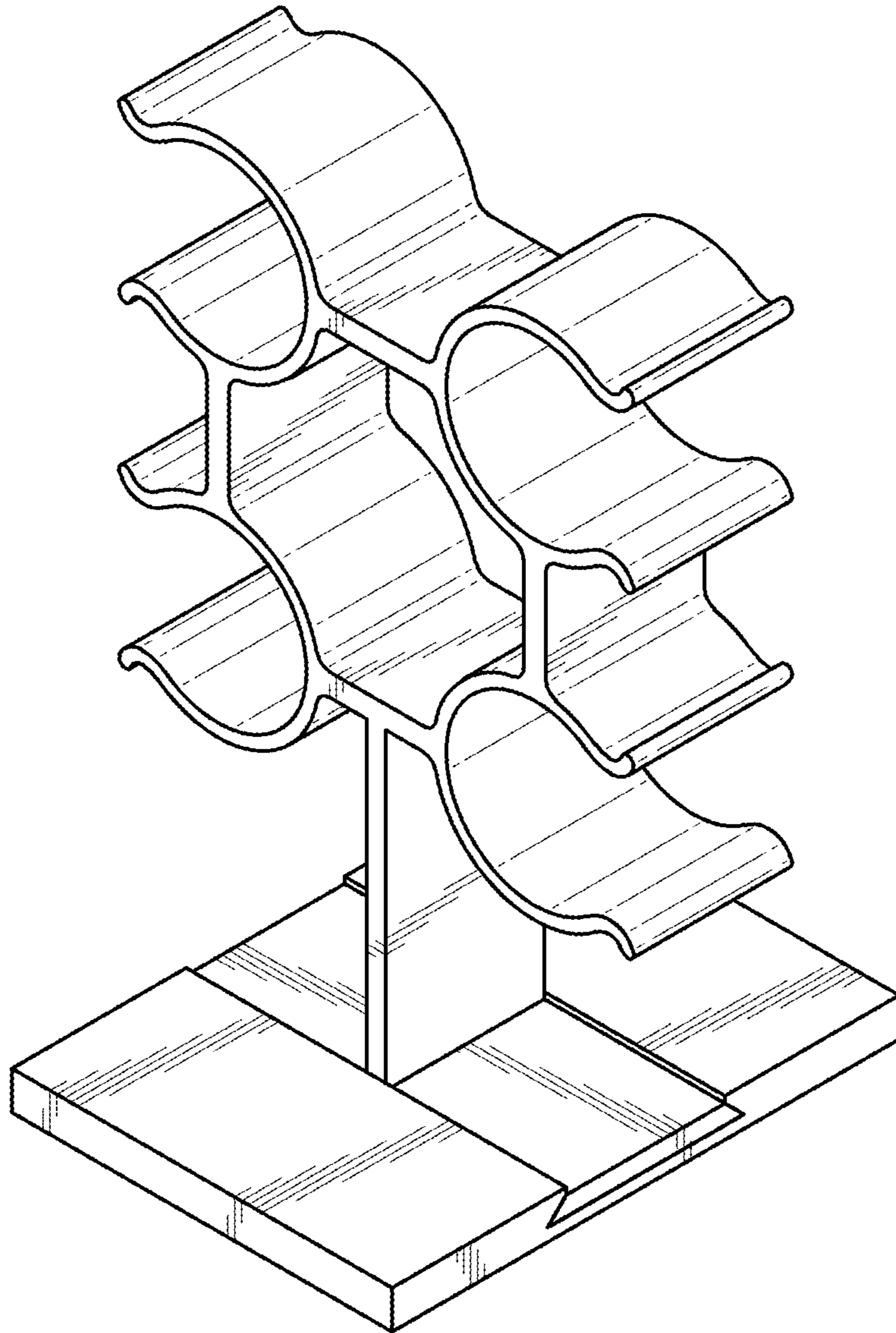


FIG. 1

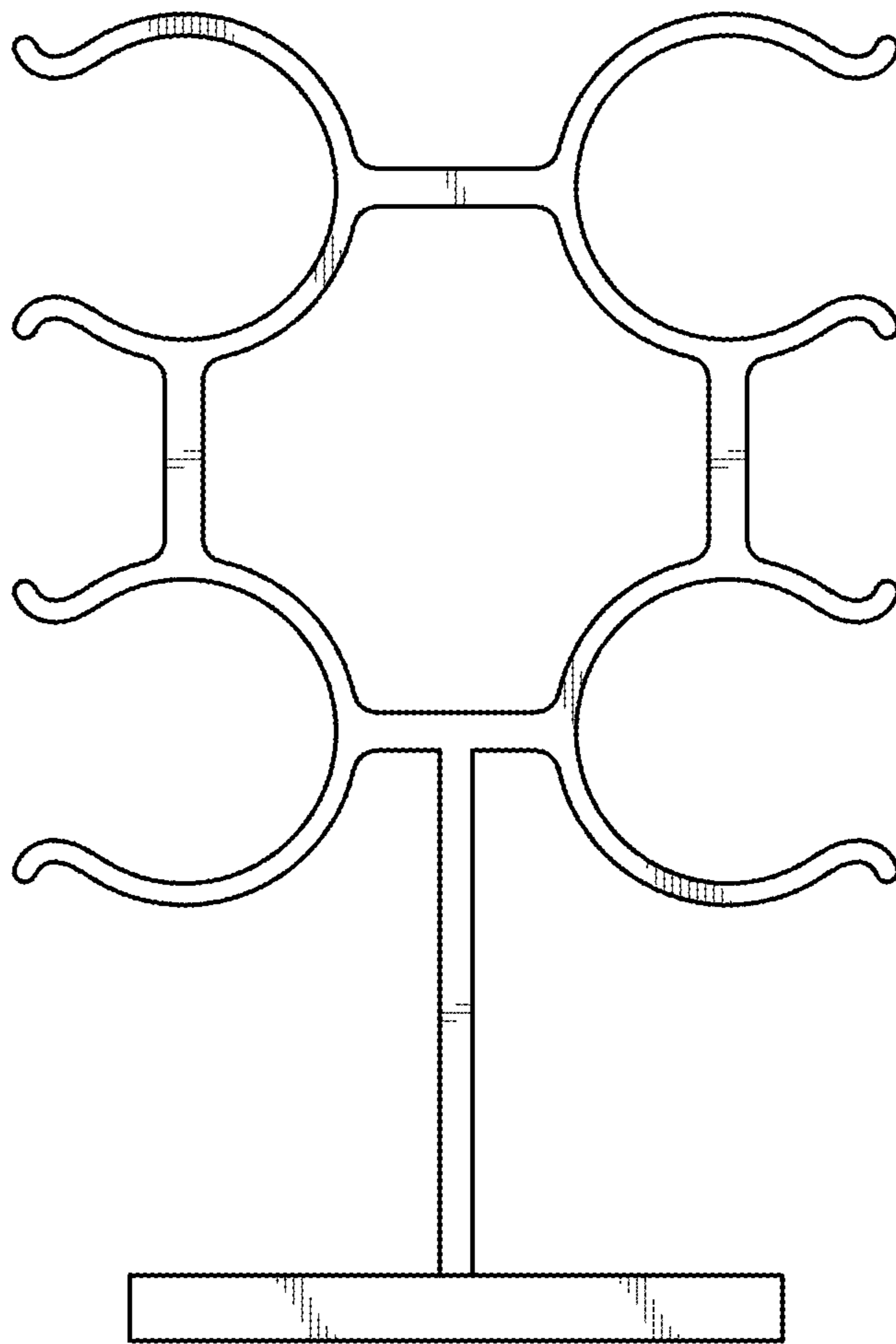


FIG. 2

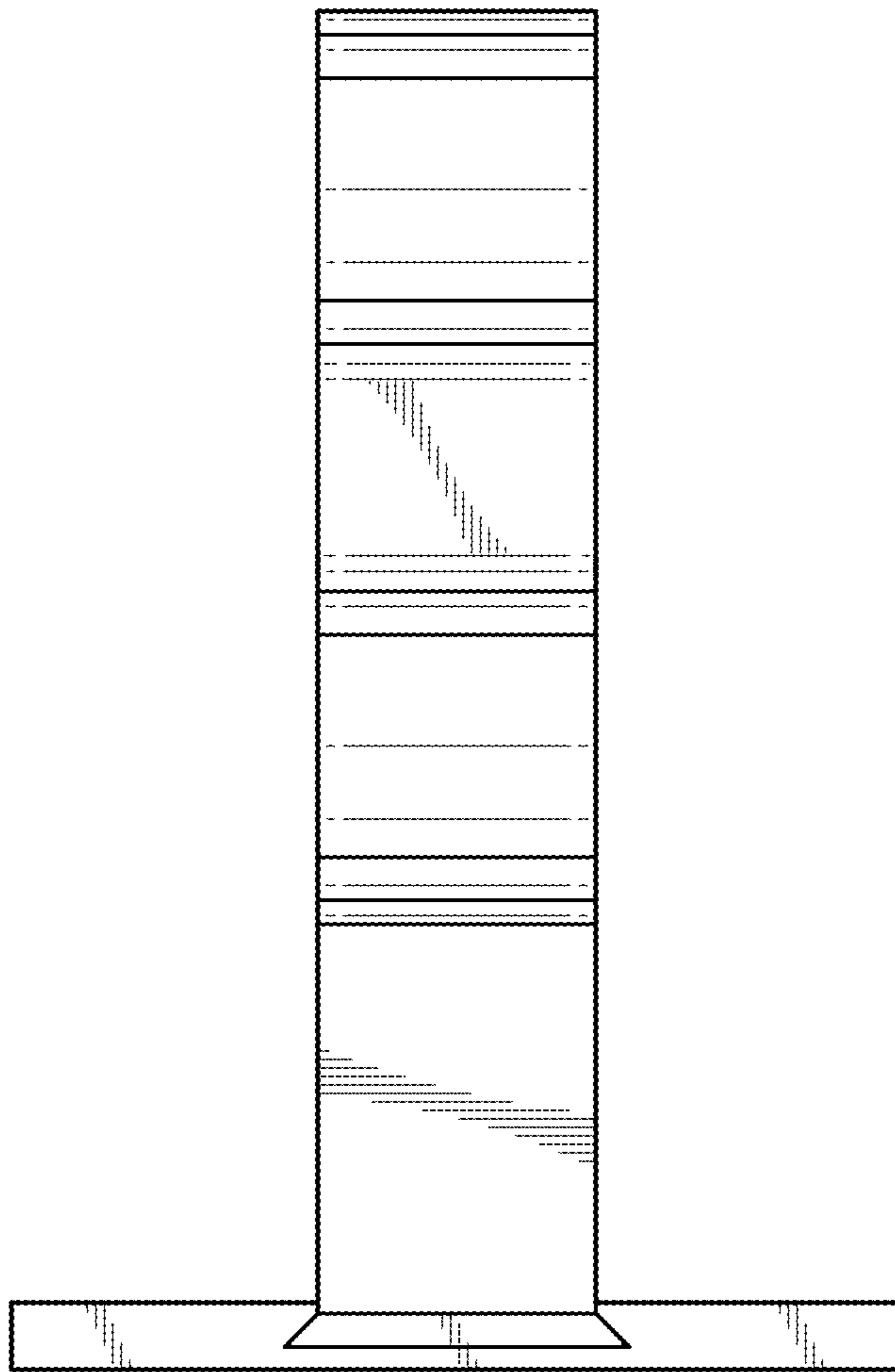


FIG. 3

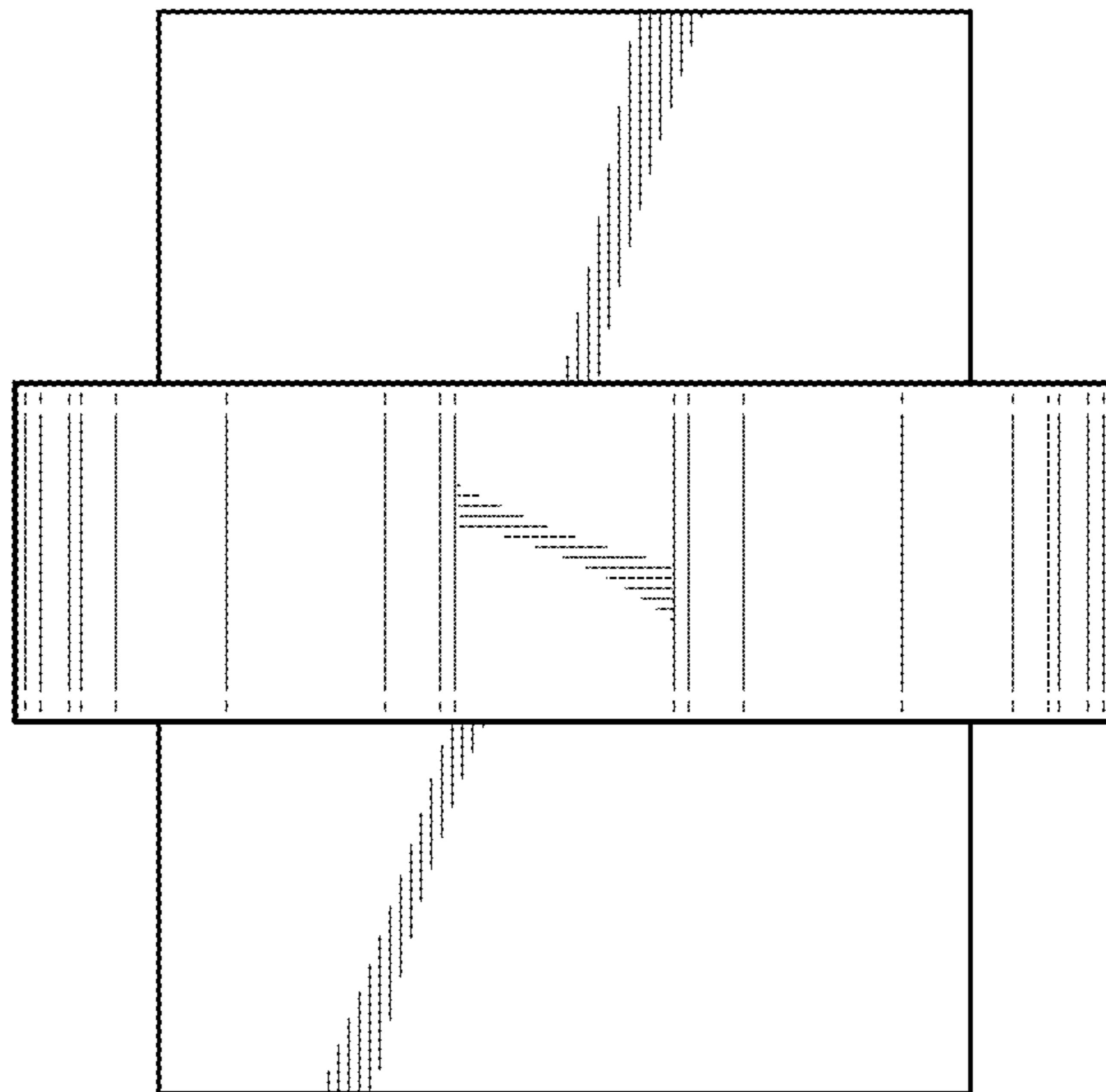


FIG. 4

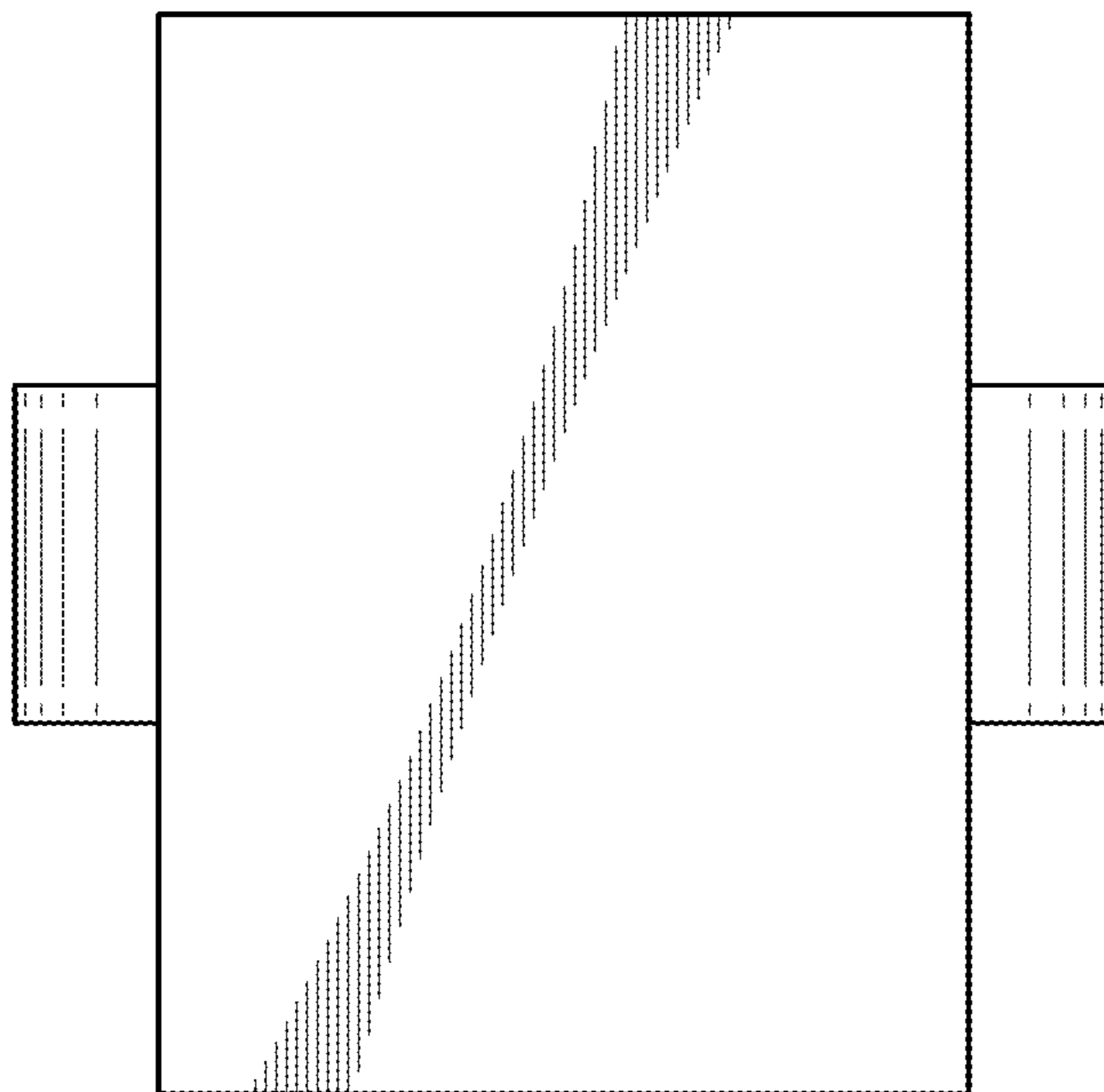


FIG. 5

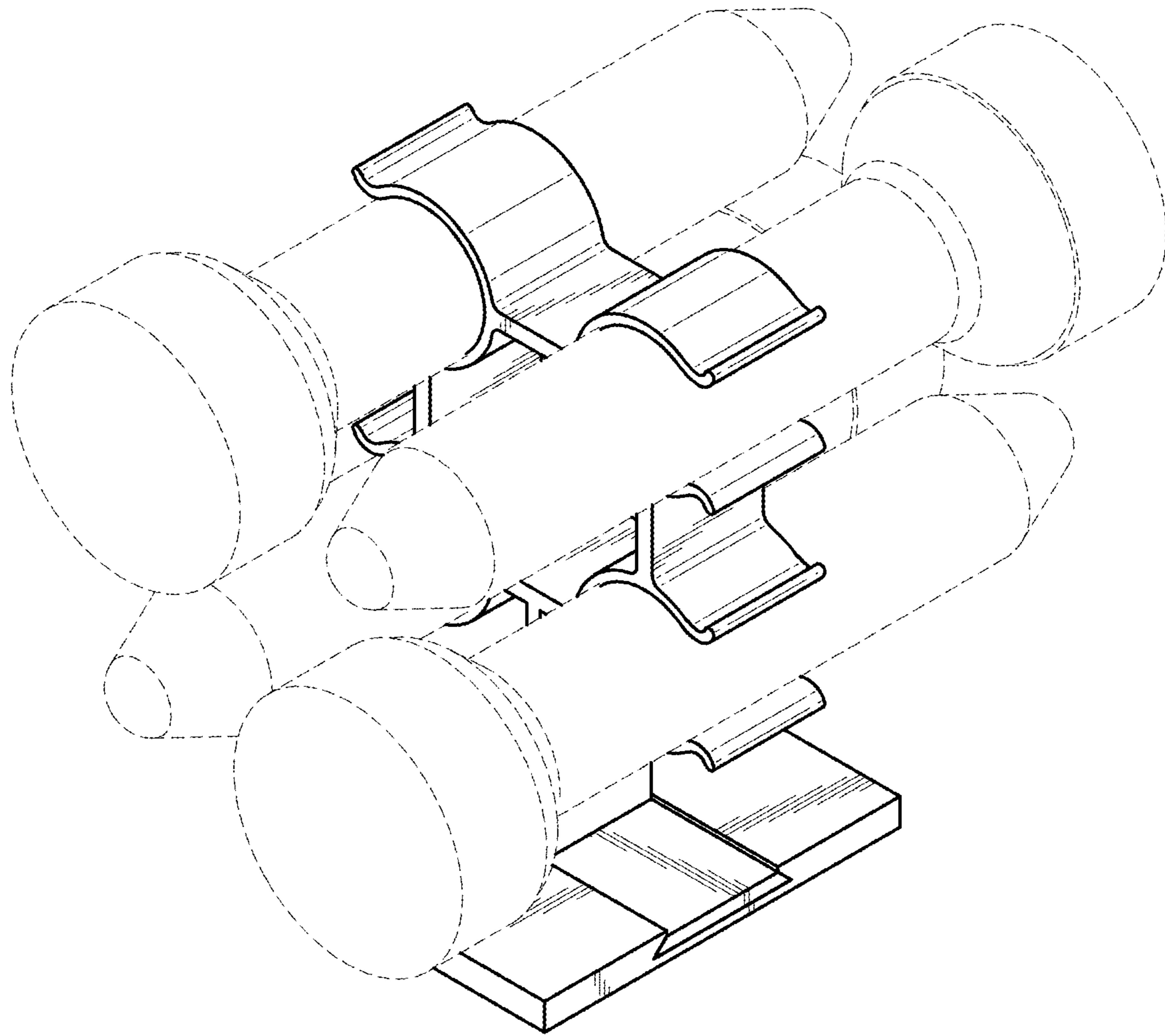


FIG. 6