



US00D881386S

(12) **United States Design Patent** (10) **Patent No.:** **US D881,386 S**  
**Tiedeken et al.** (45) **Date of Patent:** **\*\* Apr. 14, 2020**

(54) **TATTOO TRANSITIONAL GRIP** 8,814,849 B1 \* 8/2014 Winsor ..... A61M 39/24  
604/284  
(71) Applicant: **ImportLA, LLC**, Baldwin Park, CA D746,448 S \* 12/2015 Wu ..... D24/129  
(US) D746,455 S \* 12/2015 Mayer ..... D24/144  
D757,259 S \* 5/2016 Duck ..... D24/129  
(72) Inventors: **Jason Tiedeken**, Concord, CA (US); D816,831 S \* 5/2018 Sacchetti ..... D24/127  
**Billy Chen**, Baldwin Park, CA (US) D851,759 S \* 6/2019 Jones ..... D24/129  
2013/0226211 A1 \* 8/2013 Xiao ..... A61M 37/0084  
606/186  
(73) Assignee: **IMPORTLA, LLC**, Baldwin Park, CA 2016/0184573 A1 \* 6/2016 Brookshire ..... A61M 37/0084  
(US) 606/186  
2018/0221641 A1 \* 8/2018 Buchanan ..... A61M 39/105  
(\*\*) Term: **15 Years** \* cited by examiner

(21) Appl. No.: **29/703,141**

(22) Filed: **Aug. 23, 2019**

*Primary Examiner* — Nathan M Johnston  
(74) *Attorney, Agent, or Firm* — Hankin Patent Law,  
APC; Kevin Schraven; Anooj Patel

**Related U.S. Application Data**

(63) Continuation-in-part of application No. 29/669,395,  
filed on Nov. 7, 2018.  
(51) **LOC (12) Cl.** ..... **24-02**  
(52) **U.S. Cl.**  
USPC ..... **D24/127; D24/146**  
(58) **Field of Classification Search**  
USPC ..... D24/127, 133, 140, 144, 146–147;  
D19/174, 199  
CPC ..... A61M 37/00; A61M 37/0076; A61M  
37/0084  
See application file for complete search history.

(56) **References Cited**

**U.S. PATENT DOCUMENTS**

D473,646 S \* 4/2003 Baillargeon ..... D24/129  
D484,593 S \* 12/2003 Baillargeon ..... D24/129  
8,211,089 B2 \* 7/2012 Winsor ..... A61M 39/045  
604/284  
8,522,647 B1 \* 9/2013 Dixon ..... A61M 37/0076  
30/362

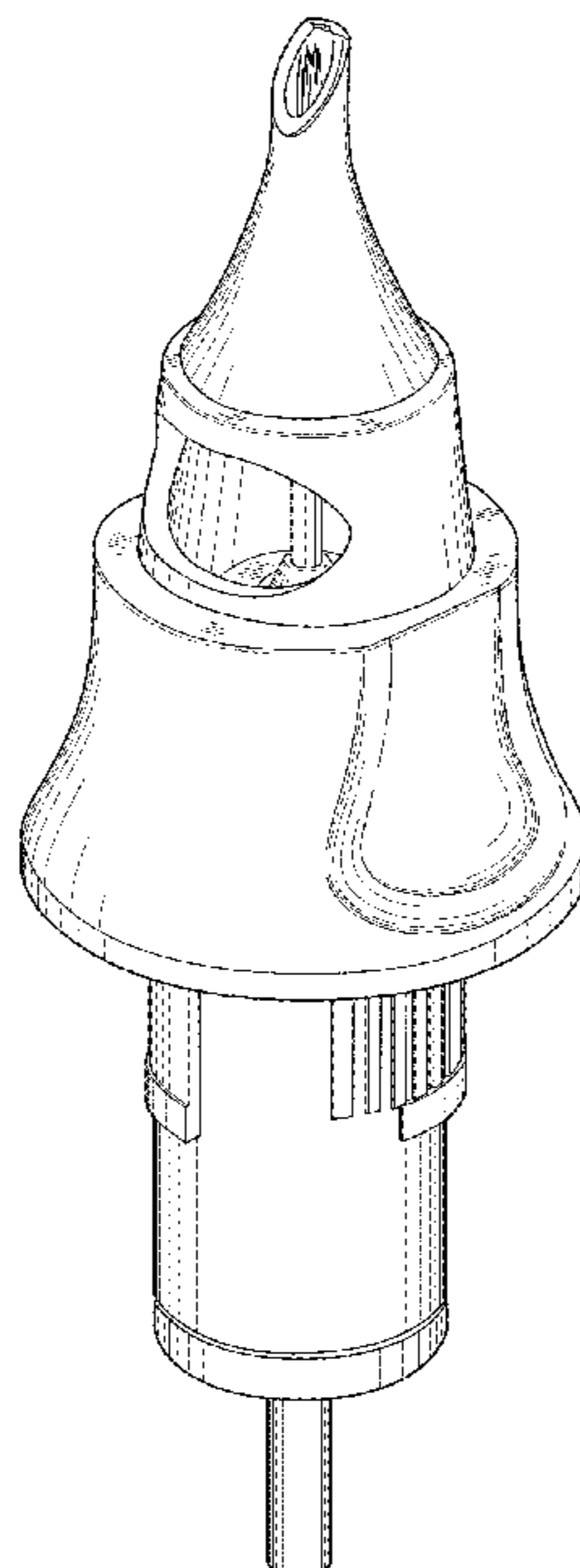
(57) **CLAIM**

The ornamental design for a tattoo transitional grip, as  
shown and described.

**DESCRIPTION**

FIG. 1 is a top perspective view of a tattoo transitional grip  
showing our new design.  
FIG. 2 is a front elevational view thereof.  
FIG. 3 is a rear elevational view thereof.  
FIG. 4 is a left side elevational view thereof.  
FIG. 5 is a right side elevational view thereof.  
FIG. 6 is a top plan view thereof; and,  
FIG. 7 is a bottom plan view thereof.  
The dashed lines immediately adjacent to the shaded areas  
in the figures represent the boundaries of the claimed design.  
The dashed lines in the figures illustrate the portions of the  
design that form no part of the claimed design. None of the  
broken lines form any part of the claimed design.

**1 Claim, 7 Drawing Sheets**



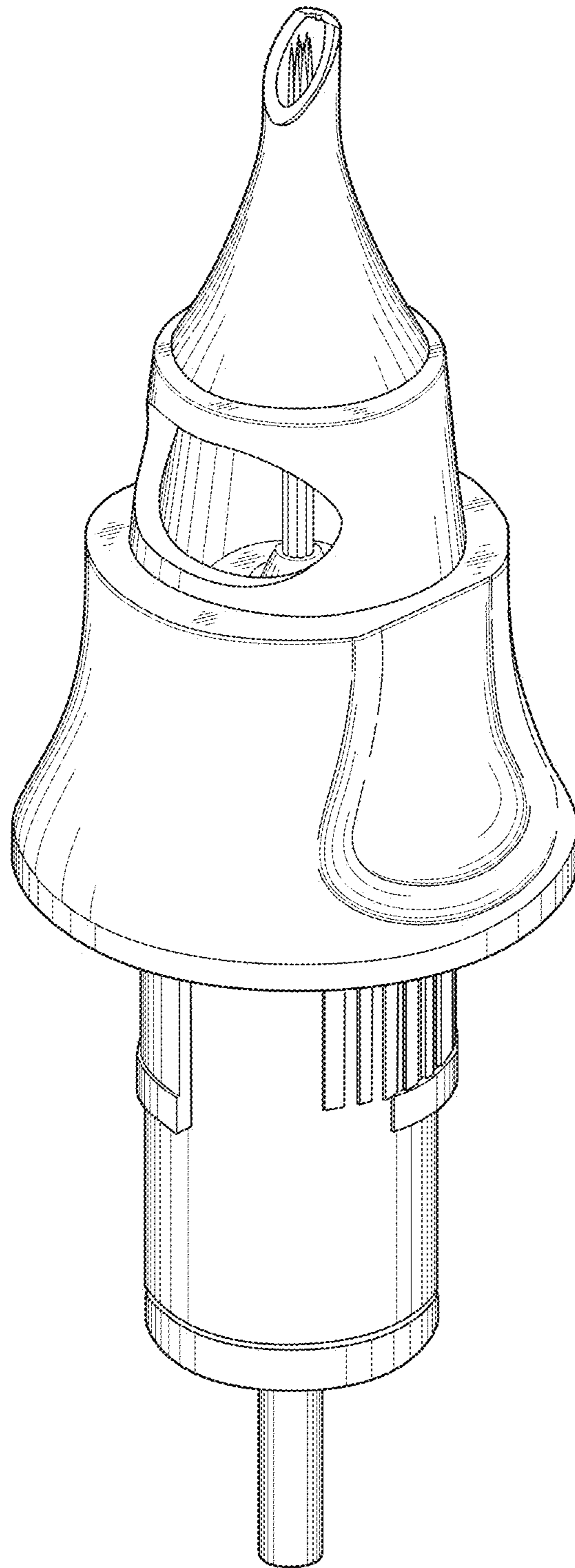


Fig. 1

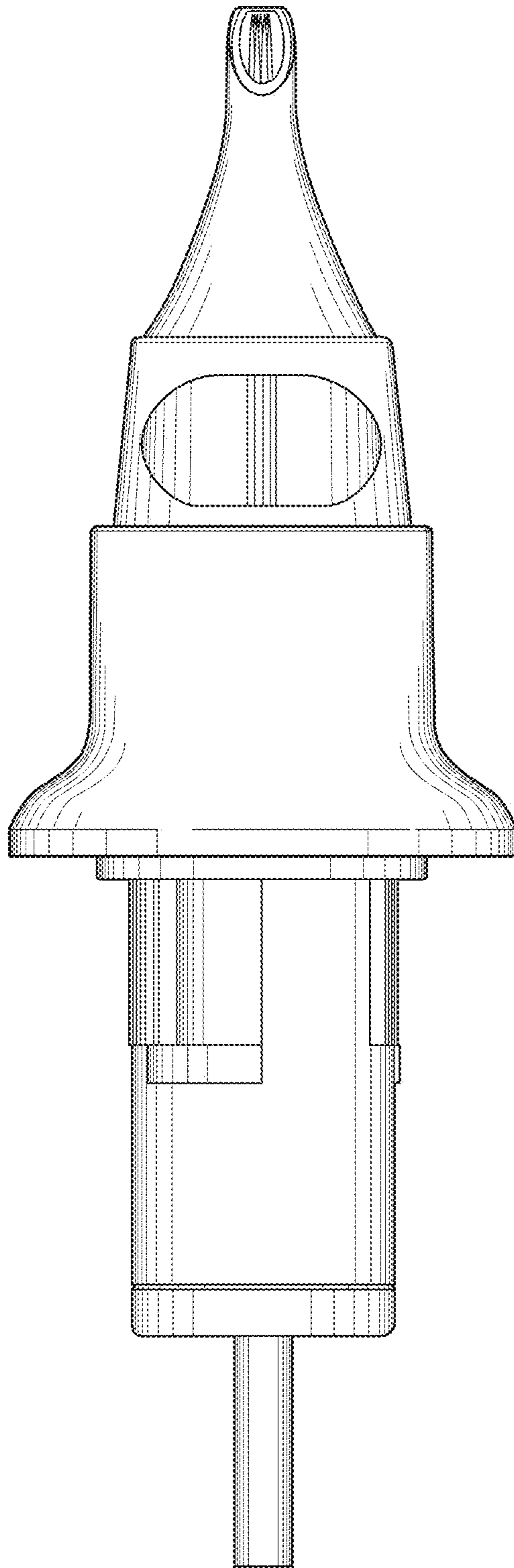


Fig.2

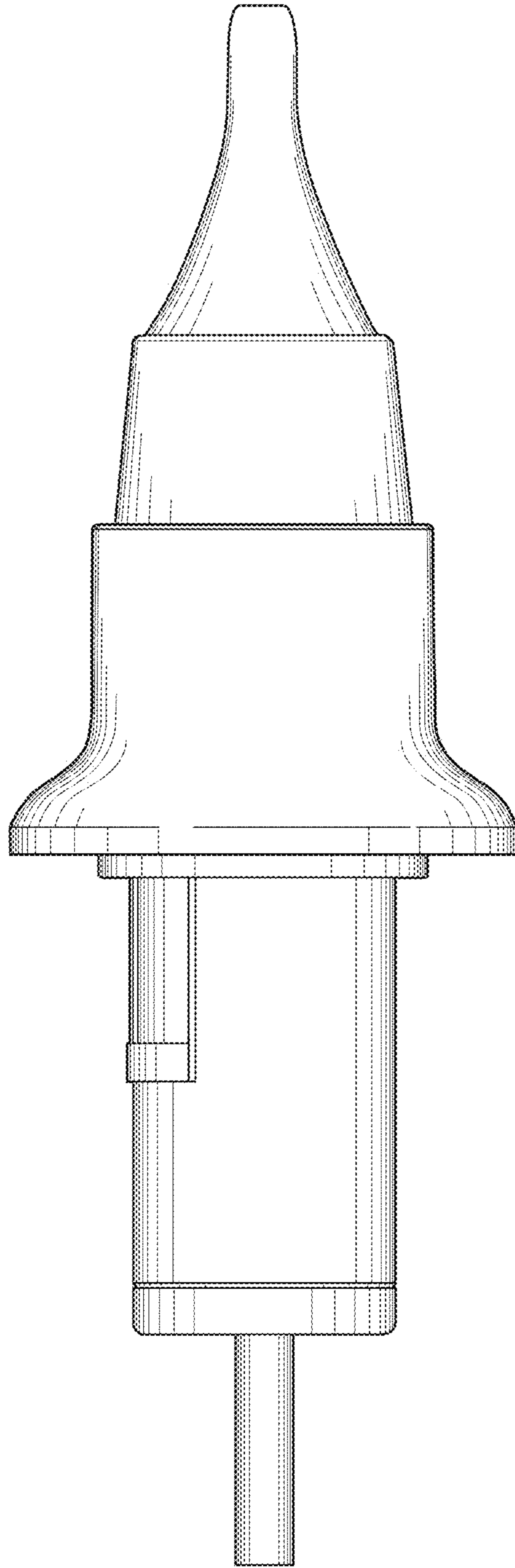


Fig.3

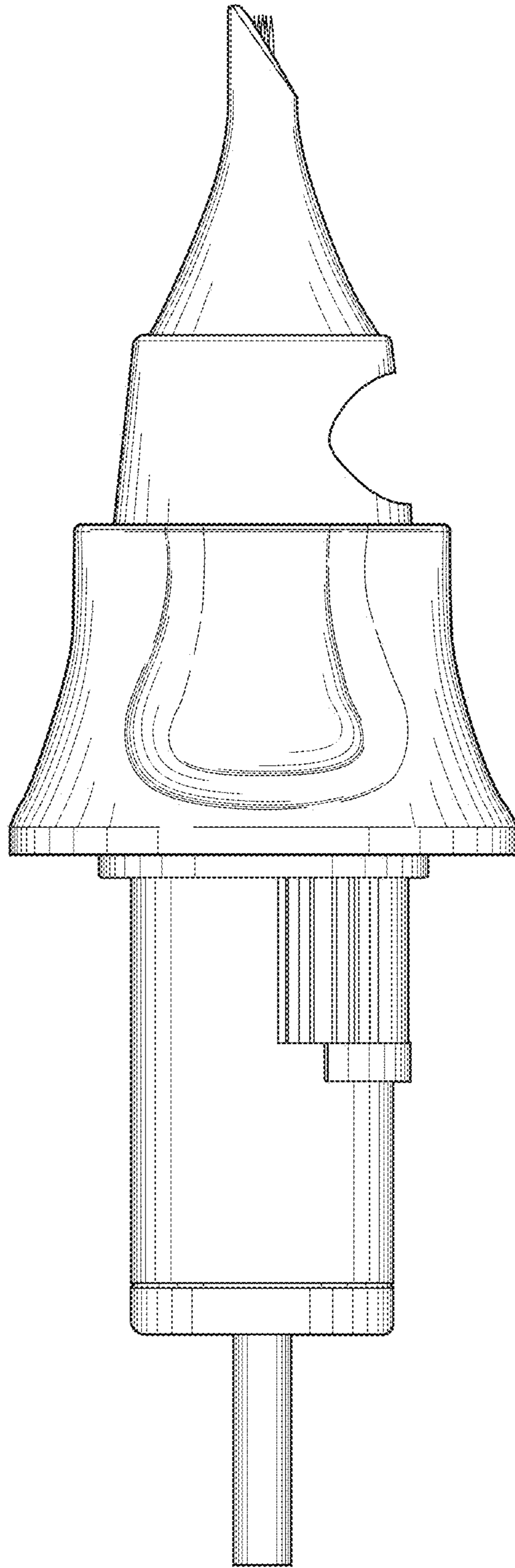


Fig.4



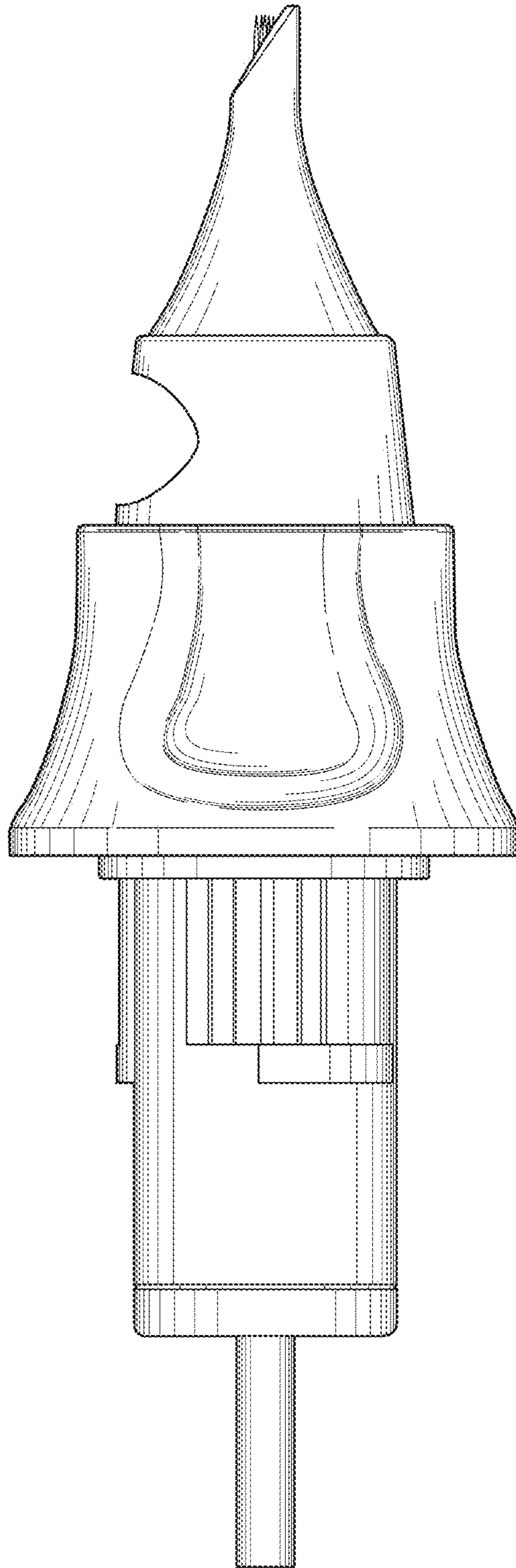


Fig.5

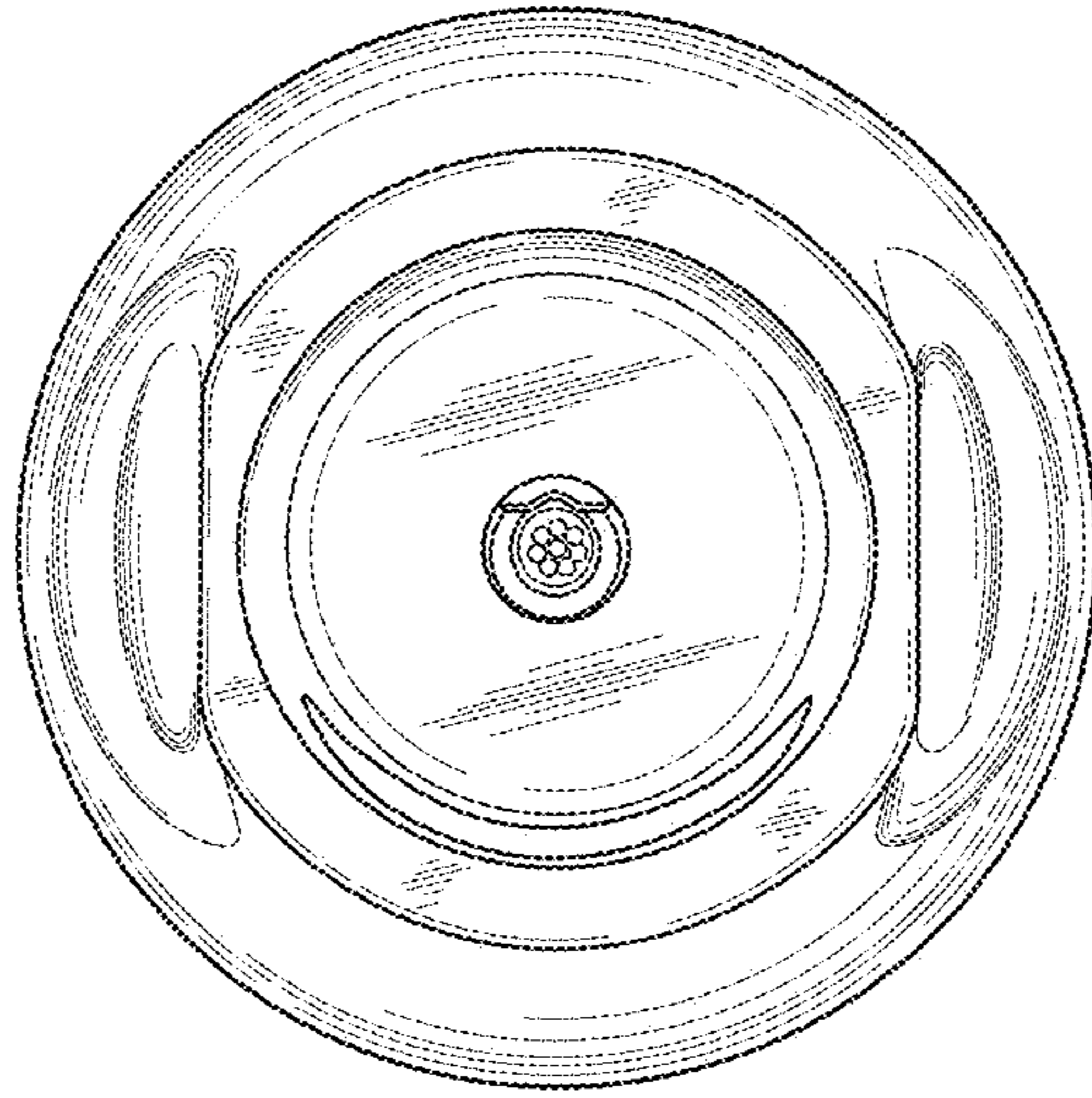


Fig.6

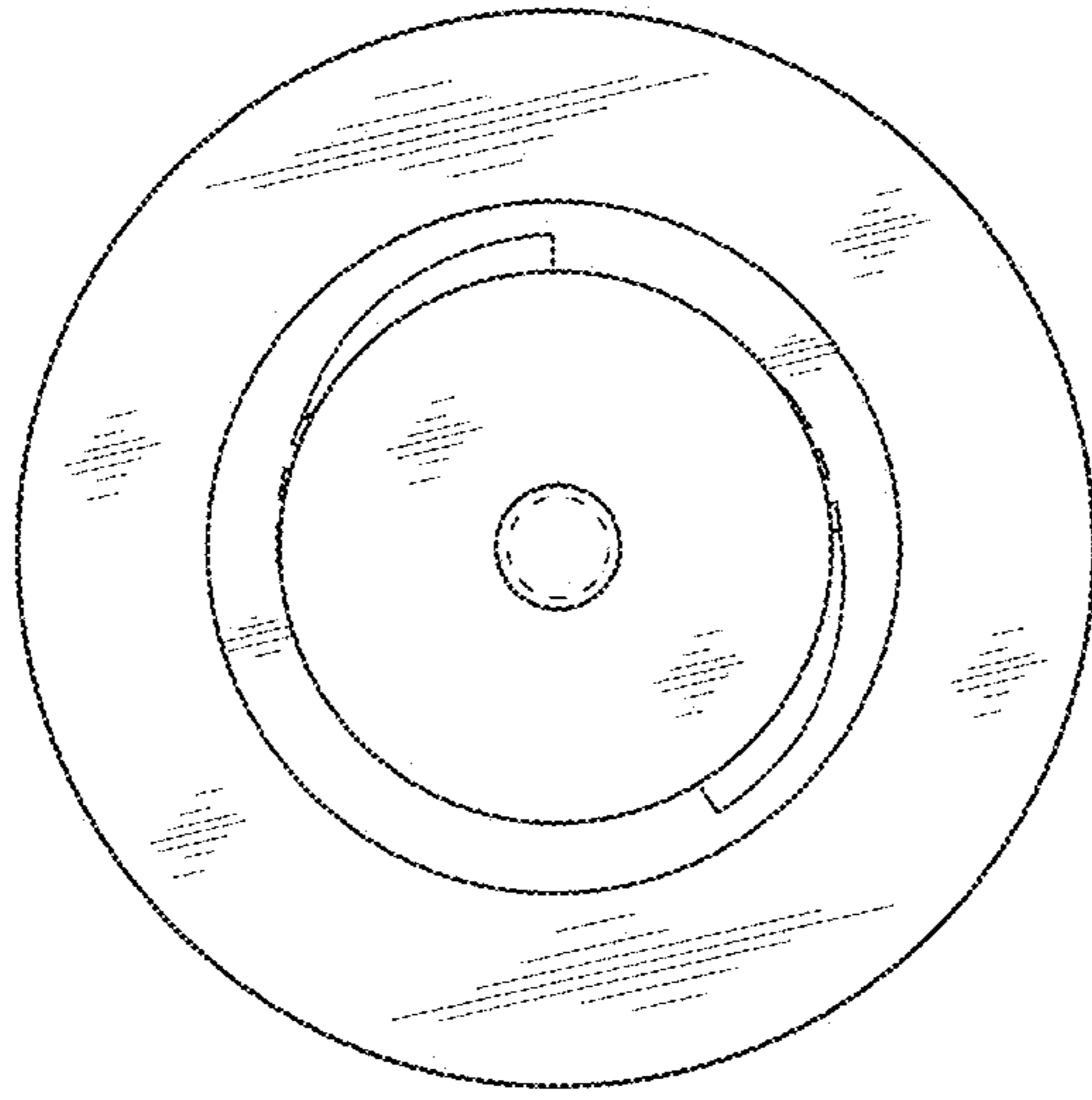


Fig.7