



US00D881384S

(12) **United States Design Patent**
Jing

(10) **Patent No.:** **US D881,384 S**

(45) **Date of Patent:** **** Apr. 14, 2020**

(54) **MICRONEEDLE DEVICE WITH CAP**

(71) Applicant: **Beauty Social Inc.**, Pasadena, CA (US)

(72) Inventor: **Dafang Daisy Jing**, Pasadena, CA (US)

(73) Assignee: **Daisy Jing**, Pasadena, CA (US)

(**) Term: **15 Years**

(21) Appl. No.: **29/668,243**

(22) Filed: **Oct. 29, 2018**

(51) **LOC (12) Cl.** **24-02**

(52) **U.S. Cl.**

USPC **D24/112**

(58) **Field of Classification Search**

USPC D24/112-114, 108, 130, 127, 133, 186;
606/181, 185; 604/264, 523-528, 272,
604/164.01-164.11, 187, 93.01; 600/101,
600/139, 143; 128/200.24, 207.14,
128/207.15

CPC .. A61M 25/065; A61M 5/42; A61M 25/0612;
A61M 25/00; A61M 39/00; A61M 27/00;
A61M 25/0043; A61M 25/0067; A61M
25/0097; A61F 2/958

See application file for complete search history.

(56) **References Cited**

U.S. PATENT DOCUMENTS

D462,440 S * 9/2002 Formanek D24/133
D465,279 S * 11/2002 Etter D24/133

D467,340 S * 12/2002 Mayer D24/133
D631,153 S * 1/2011 McGlothlin D24/130
D689,601 S * 9/2013 Black D24/108
8,790,308 B2 * 7/2014 Melvin A61B 17/34
604/164.01
D752,215 S * 3/2016 Blennow D24/130
D778,174 S * 2/2017 Zhang D24/133
D851,753 S * 6/2019 Green D24/112

* cited by examiner

Primary Examiner — David G Muller

(57) **CLAIM**

The ornamental design for a microneedle device with cap, as shown and described.

DESCRIPTION

FIG. 1 is a perspective view of a microneedle device with cap.

FIG. 2 is a front elevation view thereof.

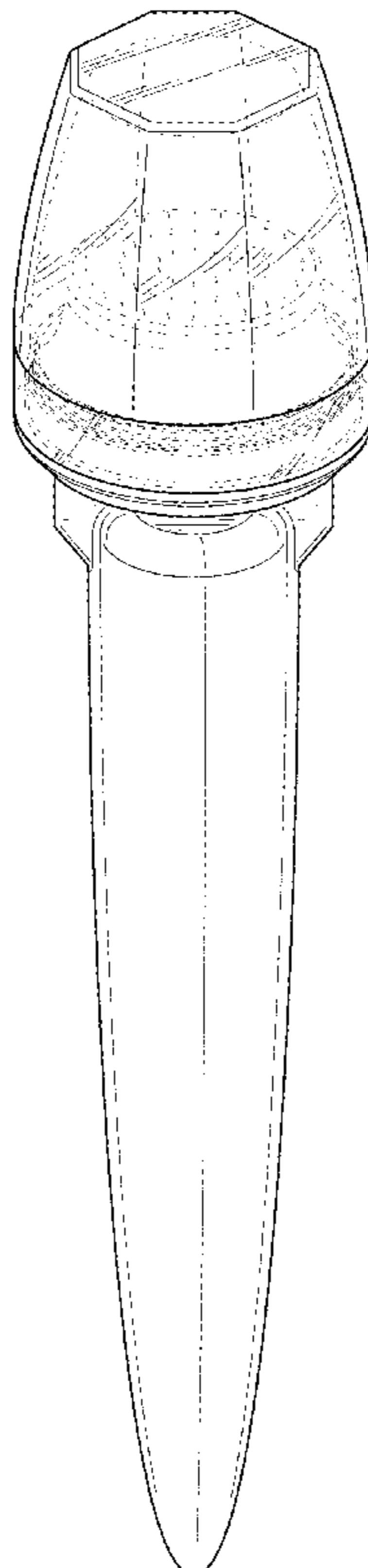
FIG. 3 is a side elevation view thereof.

FIG. 4 is a top view thereof; and,

FIG. 5 is a bottom view thereof.

The broken line in FIGS. 1-5 of the microneedle device with cap is for illustrative purposes only and forms no part of the claimed design.

1 Claim, 4 Drawing Sheets



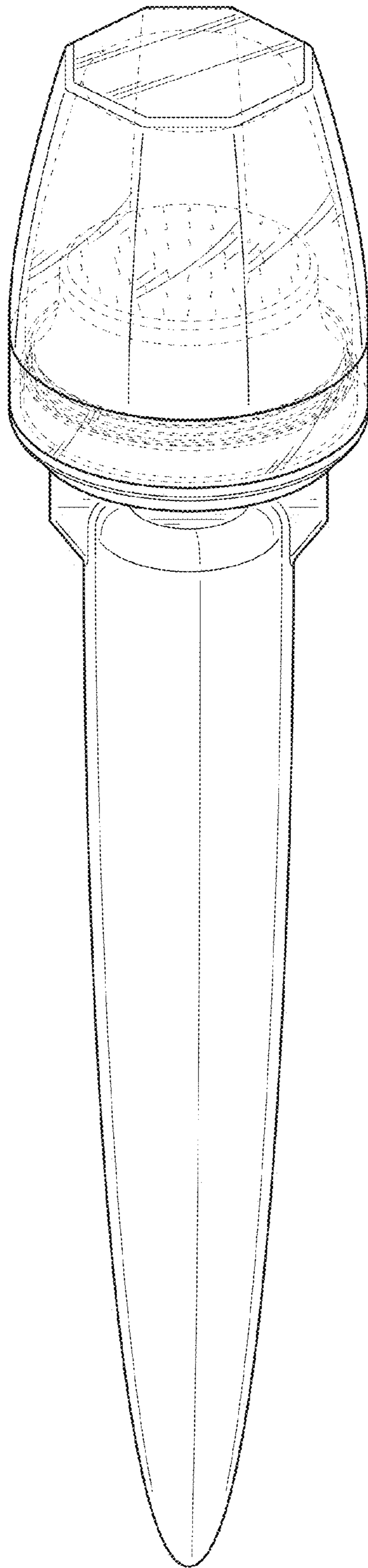


FIG. 1

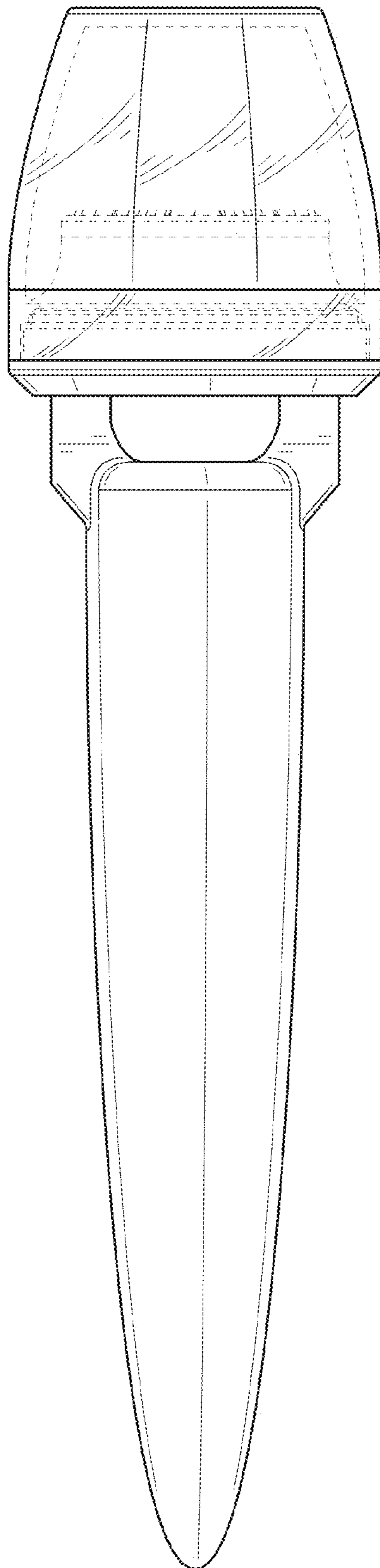


FIG. 2

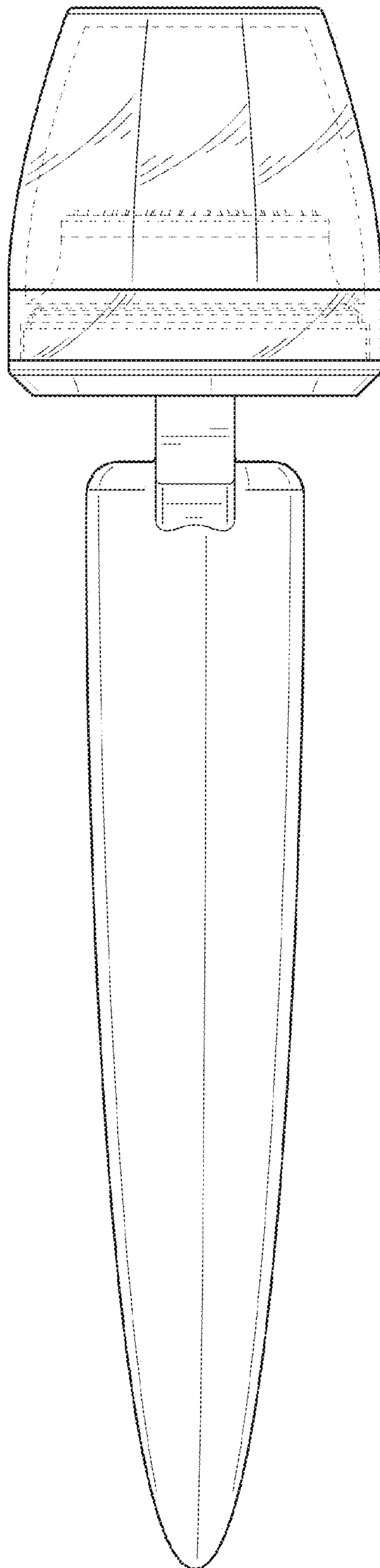


FIG. 3

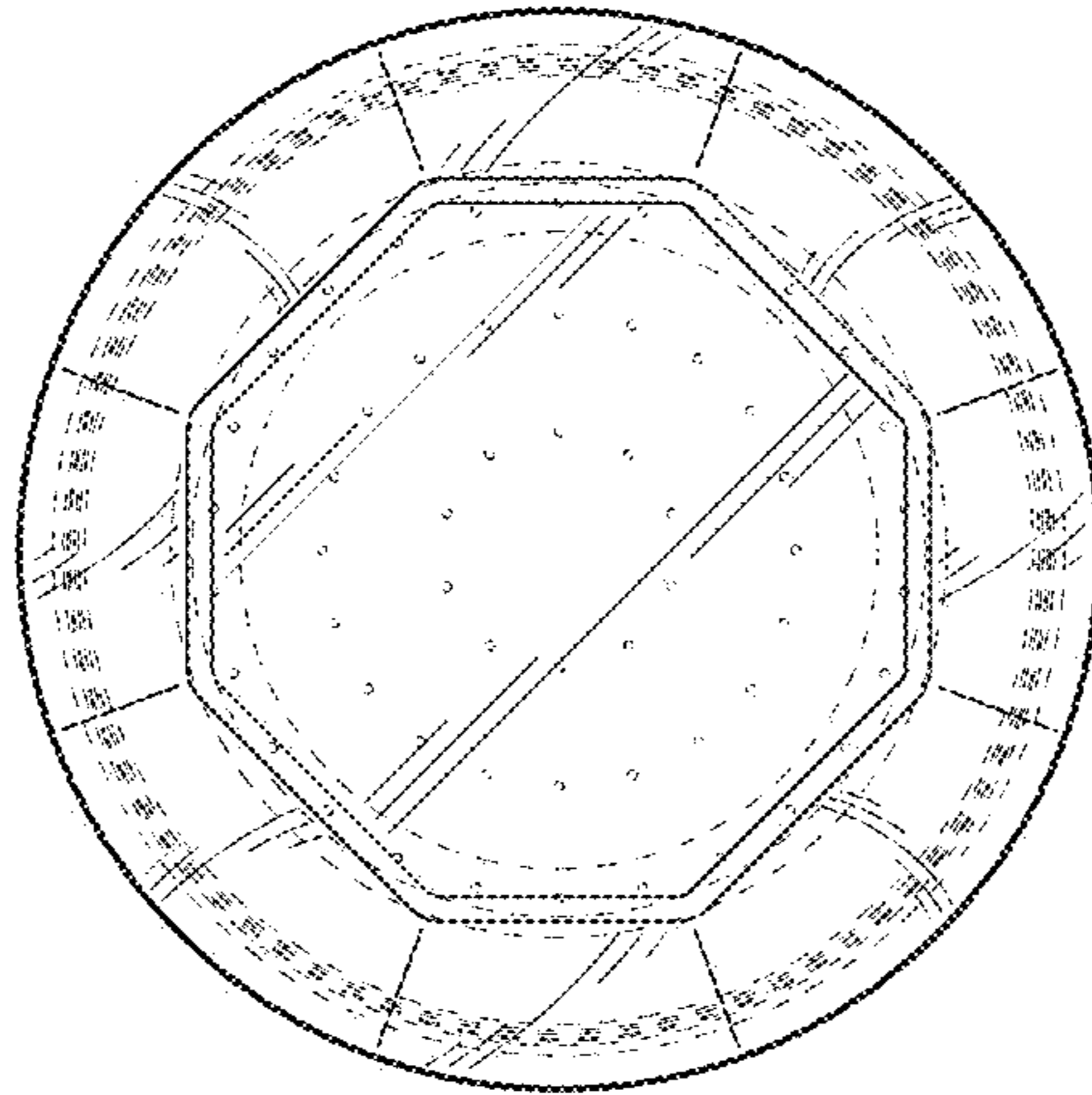


FIG. 4

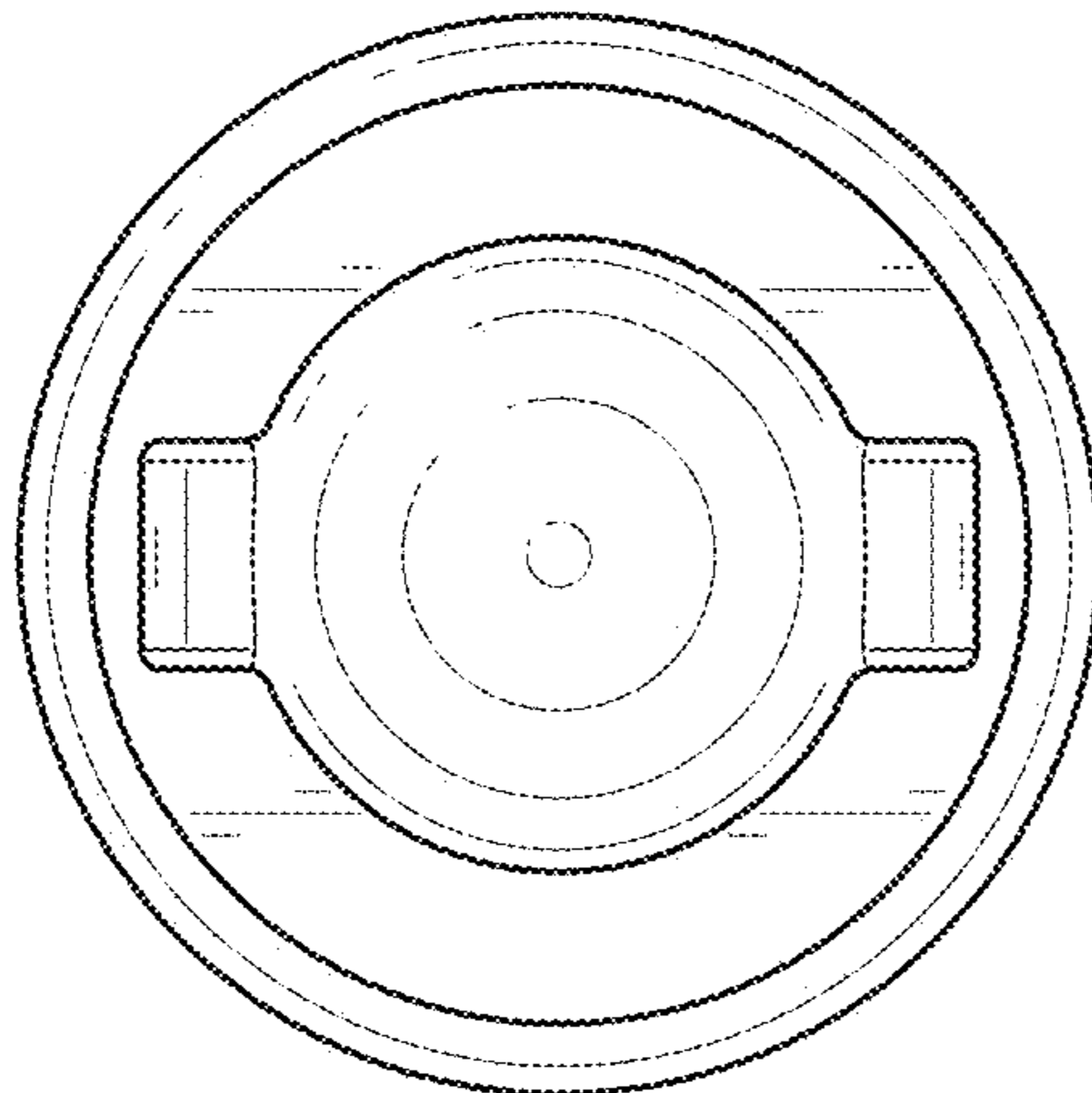


FIG. 5