



US00D881383S

(12) **United States Design Patent**  
**Chen**

(10) **Patent No.:** **US D881,383 S**

(45) **Date of Patent:** **\*\* Apr. 14, 2020**

- (54) **ORAL IRRIGATOR**
- (71) Applicant: **Rong Chen**, Shanghai (CN)
- (72) Inventor: **Rong Chen**, Shanghai (CN)
- (73) Assignee: **Waterpulse (Shanghai) Industrial Co., LTD.**, Shanghai (CN)
- (\*\*) Term: **15 Years**
- (21) Appl. No.: **29/650,731**
- (22) Filed: **Jun. 8, 2018**
- (51) **LOC (12) Cl.** ..... **24-02**
- (52) **U.S. Cl.**  
USPC ..... **D24/111**
- (58) **Field of Classification Search**  
USPC ..... D24/108, 111-115, 152, 176; D4/101, D4/102, 110, 111, 138  
CPC ..... A61C 17/20; A61C 17/00; A61C 17/005; A61C 17/02; A61C 17/0202; A61C 17/0205; A61C 17/0211; A61C 17/36; A61C 17/028; A61C 17/22; A61C 17/222; A61C 17/225; A61C 17/28  
See application file for complete search history.

- D806,228 S \* 12/2017 Yan ..... D24/111
- D806,229 S \* 12/2017 Uchida ..... D24/111
- D815,274 S \* 4/2018 Ladwig ..... D24/111
- D819,196 S \* 5/2018 Kim ..... D24/111
- 2004/0209222 A1\* 10/2004 Snyder ..... A61C 17/02 433/80
- 2008/0008979 A1\* 1/2008 Thomas ..... A61C 17/0202 433/80
- 2016/0151133 A1\* 6/2016 Luetgen ..... A61C 17/0202 433/80
- 2017/0318951 A1\* 11/2017 Taghvai ..... A46B 11/001
- 2019/0201175 A1\* 7/2019 Li ..... A61C 17/032

\* cited by examiner

*Primary Examiner* — Lilyana Bekic

(74) *Attorney, Agent, or Firm* — ScienBiziP, P.C.

(57) **CLAIM**

The ornamental design for an oral irrigator, as shown and described.

**DESCRIPTION**

FIG. 1 is a front perspective view of an oral irrigator showing the my design;  
 FIG. 2 is a bottom perspective view thereof;  
 FIG. 3 is a front elevation view thereof;  
 FIG. 4 is a rear elevation view thereof;  
 FIG. 5 is a left side elevation view thereof;  
 FIG. 6 is a right side elevation view thereof;  
 FIG. 7 is a top plan view thereof;  
 FIG. 8 is a bottom plan view thereof; and,  
 FIG. 9 is an enlarged view of the design features contained within circle 9 of FIG. 2.

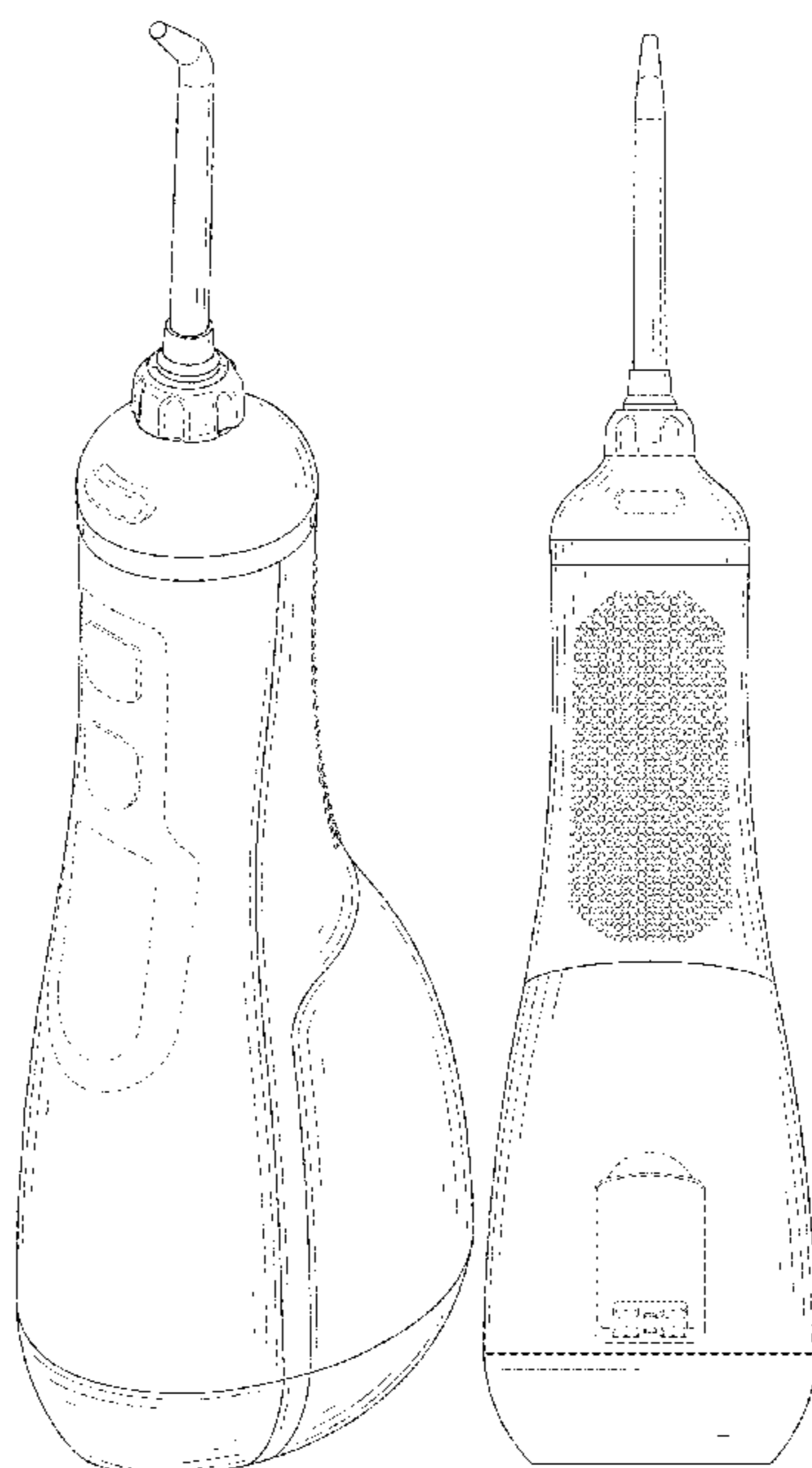
The broken lines immediately adjacent to the shaded areas define the bounds of the claimed design and form no part thereof. All other broken lines depict portions of the oral irrigator that form no part of the claimed design.

**1 Claim, 9 Drawing Sheets**

(56) **References Cited**

U.S. PATENT DOCUMENTS

- D486,573 S \* 2/2004 Callaghan ..... D24/111
- D548,334 S \* 8/2007 Izumi ..... D24/111
- D747,464 S \* 1/2016 Taylor ..... A61C 17/0202 D24/111
- D772,396 S \* 11/2016 Walsh ..... D24/111
- D772,397 S \* 11/2016 Kim ..... D24/111
- D778,433 S \* 2/2017 Li ..... D24/111
- D780,908 S \* 3/2017 Ladwig ..... D24/111
- D804,016 S \* 11/2017 Ladwig ..... D24/111



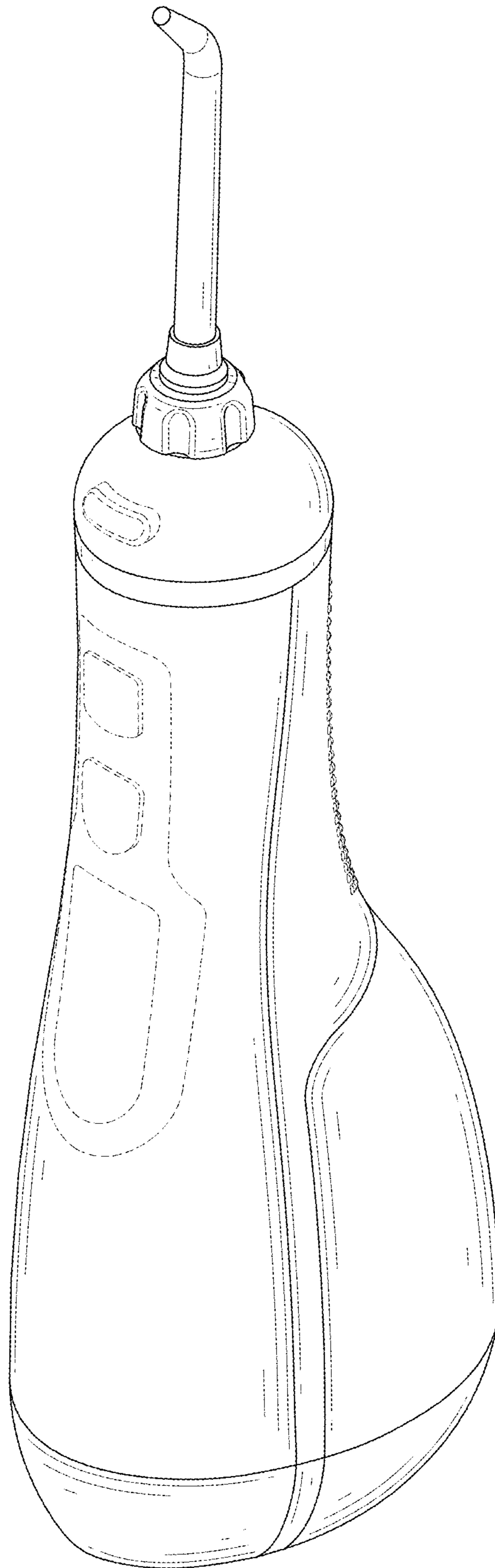


FIG. 1

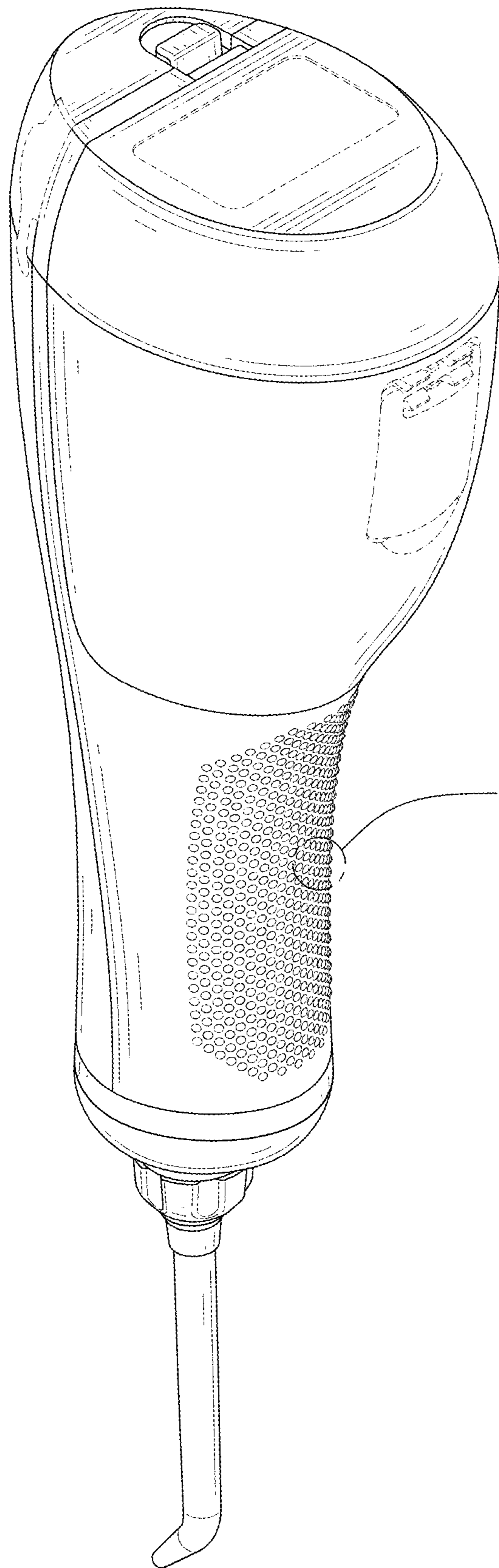


FIG. 9

FIG. 2

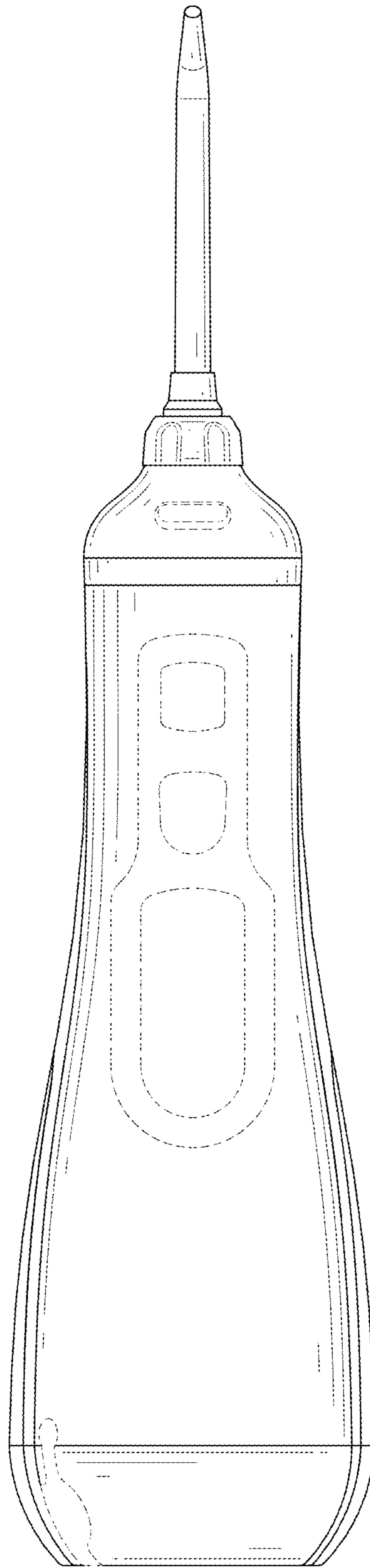


FIG. 3

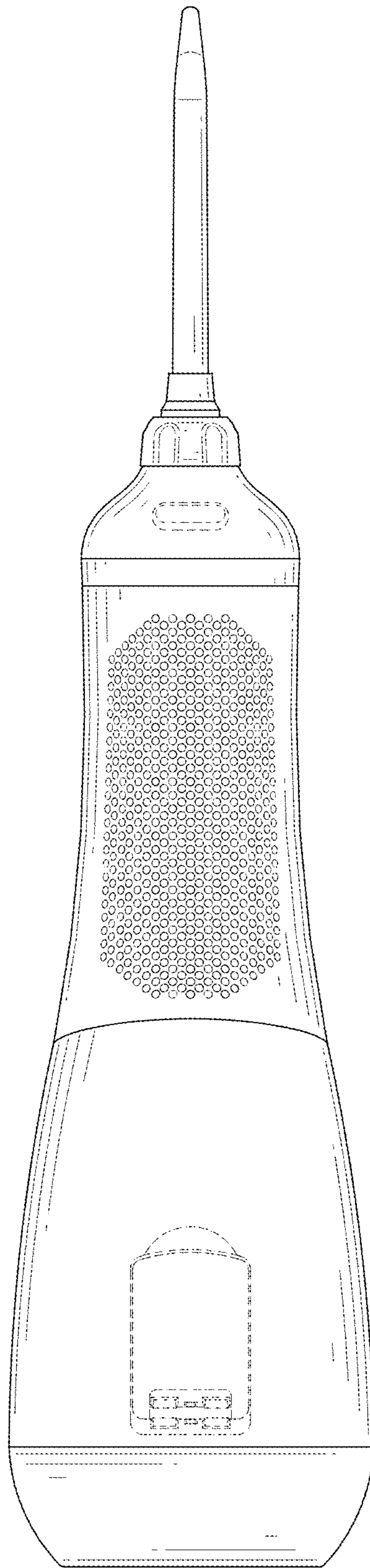


FIG. 4



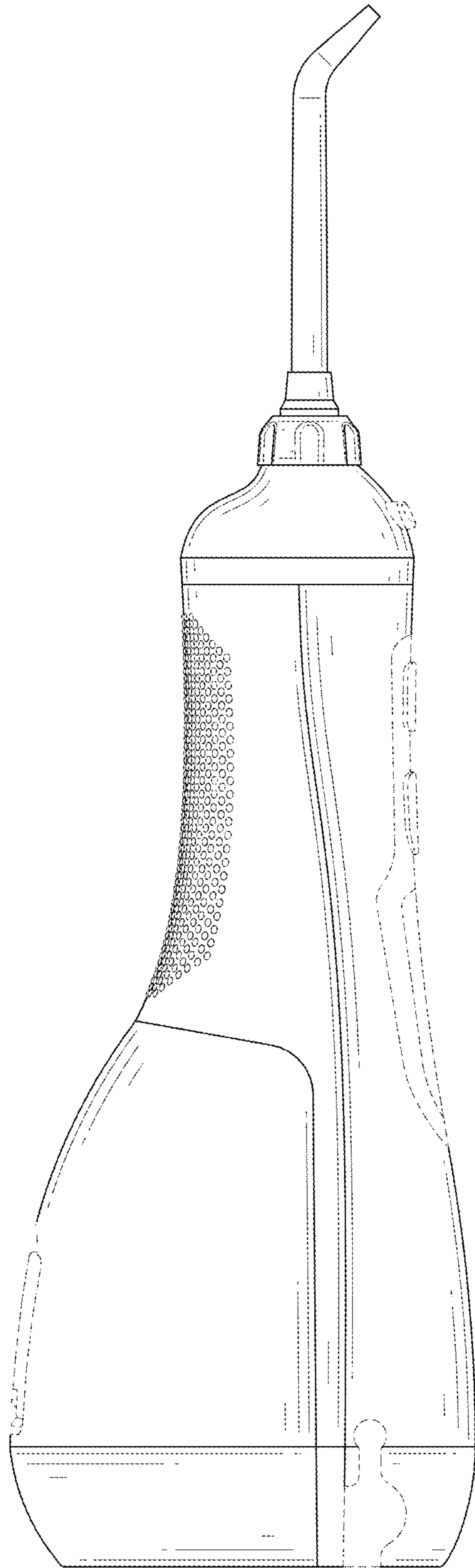


FIG. 5

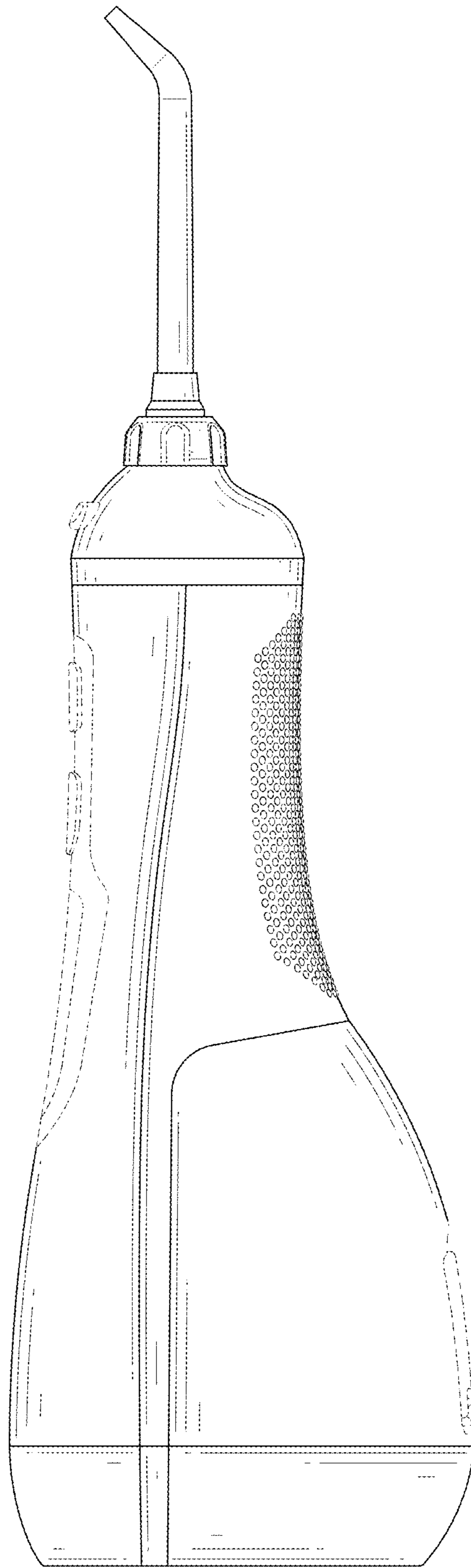


FIG. 6

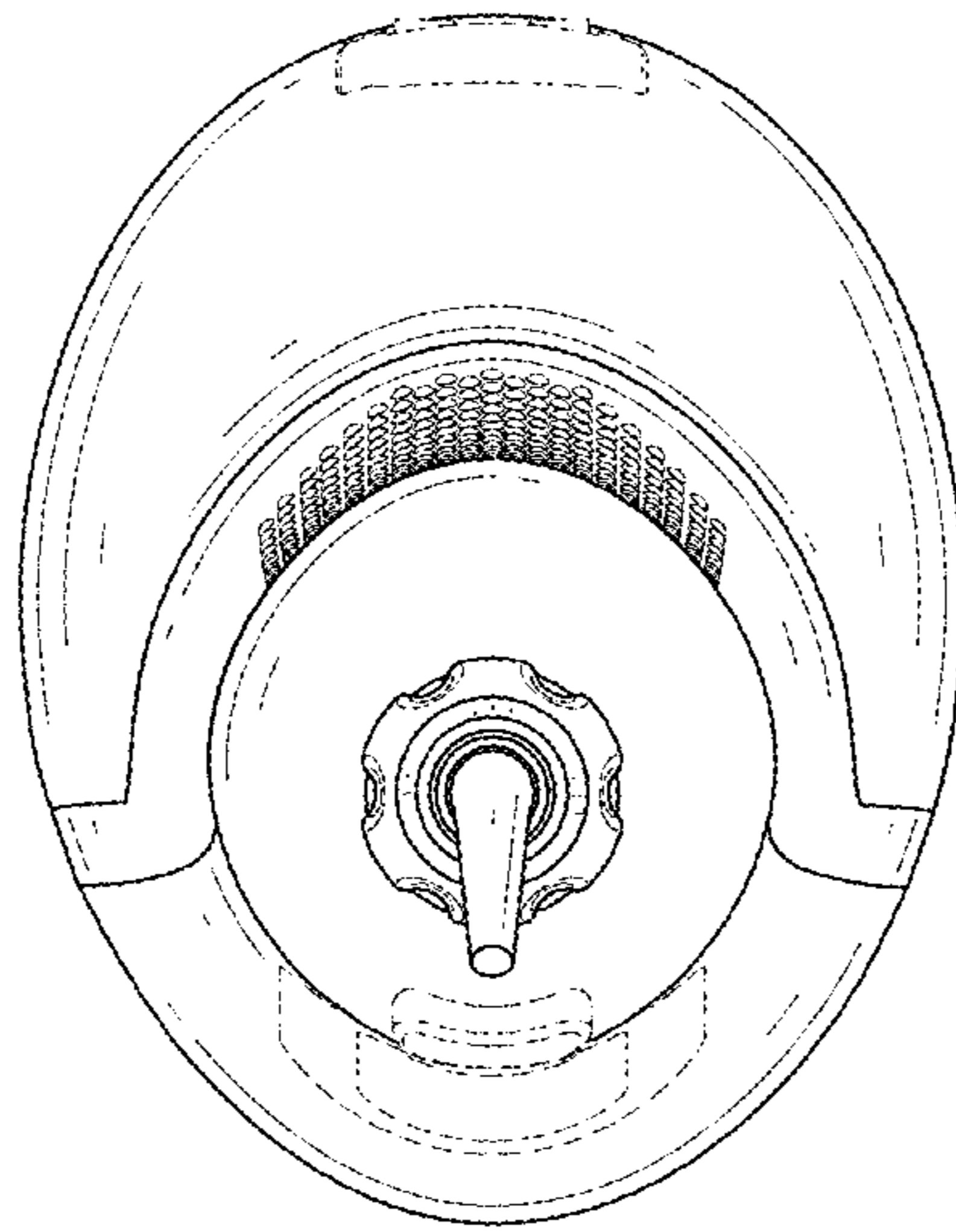


FIG. 7



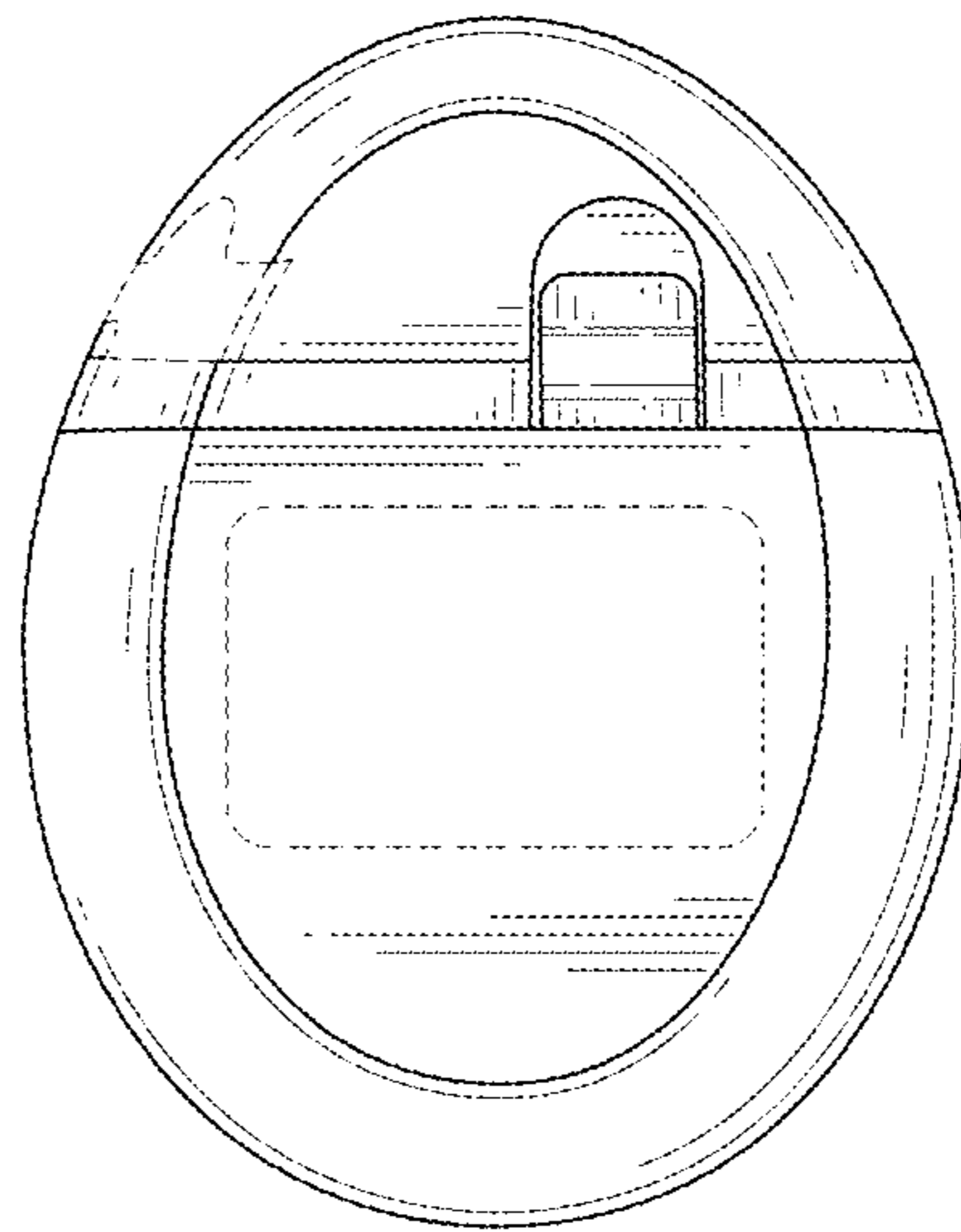


FIG. 8

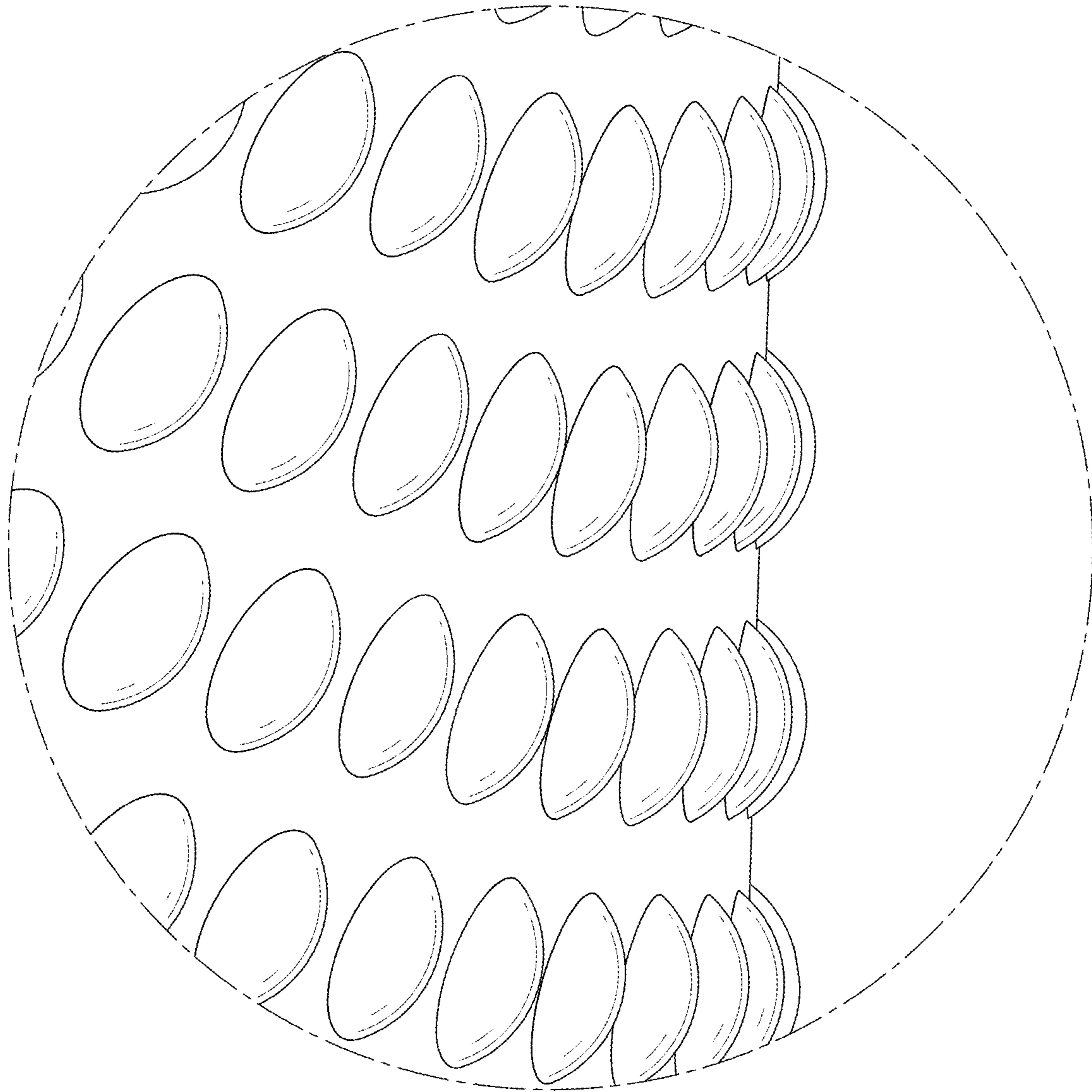


FIG. 9