



US00D881382S

(12) **United States Design Patent**  
**Chang**

(10) **Patent No.:** **US D881,382 S**

(45) **Date of Patent:** **\*\* Apr. 14, 2020**

- (54) **NASAL CANNULA**
- (71) Applicant: **HSINER CO., LTD.**, Taichung (TW)
- (72) Inventor: **Eric Chang**, Taichung (TW)
- (73) Assignee: **HSINER CO., LTD.**, Taichung (TW)
- (\*\*) Term: **15 Years**
- (21) Appl. No.: **29/678,663**
- (22) Filed: **Jan. 30, 2019**
- (51) **LOC (12) Cl.** ..... **29-02**
- (52) **U.S. Cl.**  
USPC ..... **D24/110.5**
- (58) **Field of Classification Search**  
USPC ..... D24/108, 110, 110.5, 111, 112, 128  
CPC ..... A61M 16/0666; A61M 16/0672; A61M  
2202/0208; A61M 16/0683  
See application file for complete search history.

- 2012/0167894 A1\* 7/2012 O'Leary ..... A61M 16/0666  
128/207.18
- 2012/0203127 A1\* 8/2012 Hadas ..... A61B 5/01  
600/537
- 2016/0228665 A1\* 8/2016 Gulliver ..... A61M 16/0672
- 2019/0298961 A1\* 10/2019 Hsiung ..... A61L 29/06

\* cited by examiner

*Primary Examiner* — Lilyana Bekic

(57) **CLAIM**

The ornamental design for a nasal cannula, as shown and described.

**DESCRIPTION**

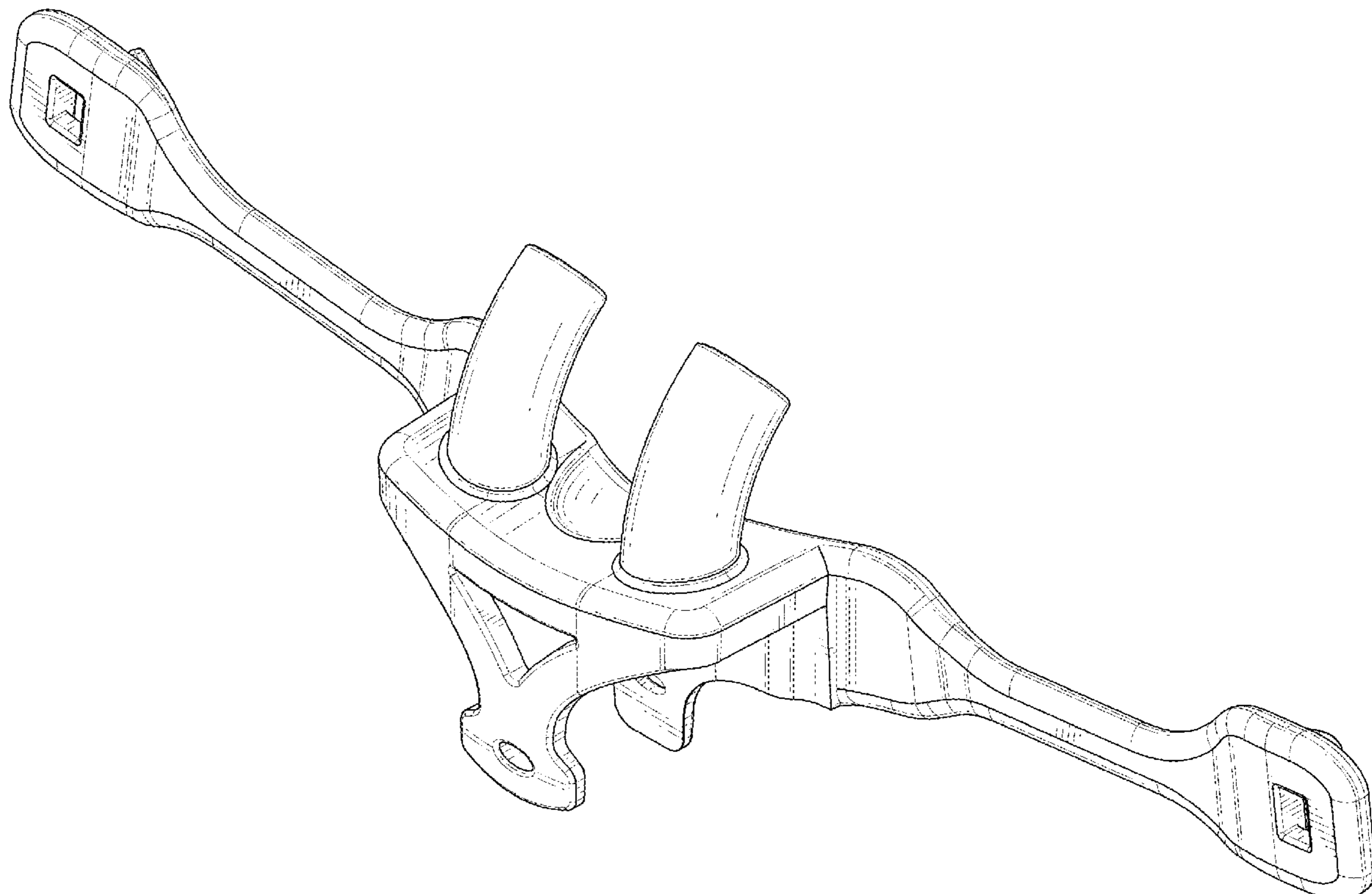
FIG. 1 is a perspective view of a nasal cannula showing my new design;  
 FIG. 2 is a front elevational view thereof;  
 FIG. 3 is a rear elevational view thereof;  
 FIG. 4 is a left side elevational view thereof;  
 FIG. 5 is a right side elevational view thereof;  
 FIG. 6 is a top plan view thereof;  
 FIG. 7 is a bottom plan view thereof;  
 FIG. 8 is an enlarged fragmentary cross-sectional view taken in the direction of line 8-8 in FIG. 6;  
 FIG. 9 is an enlarged cross-sectional view taken in the direction of line 9-9 in FIG. 6.  
 FIG. 10 is an enlarged fragmentary cross-sectional view taken in the direction of line 10-10 in FIG. 6; and,  
 FIG. 11 is an enlarged cross-sectional view taken in the direction of line 11-11 in FIG. 6.

(56) **References Cited**

**U.S. PATENT DOCUMENTS**

- D559,383 S \* 1/2008 Nalagatla ..... D24/110.5
- D678,510 S \* 3/2013 Koschany ..... D24/110
- D745,141 S \* 12/2015 Hung ..... A61M 16/0683  
D24/110.5
- D747,792 S \* 1/2016 Babbage ..... D24/110
- 10,478,580 B2 \* 11/2019 Klenner ..... A61M 16/0672
- 2009/0133699 A1\* 5/2009 Nalagatla ..... A61B 5/0836  
128/205.27

**1 Claim, 11 Drawing Sheets**



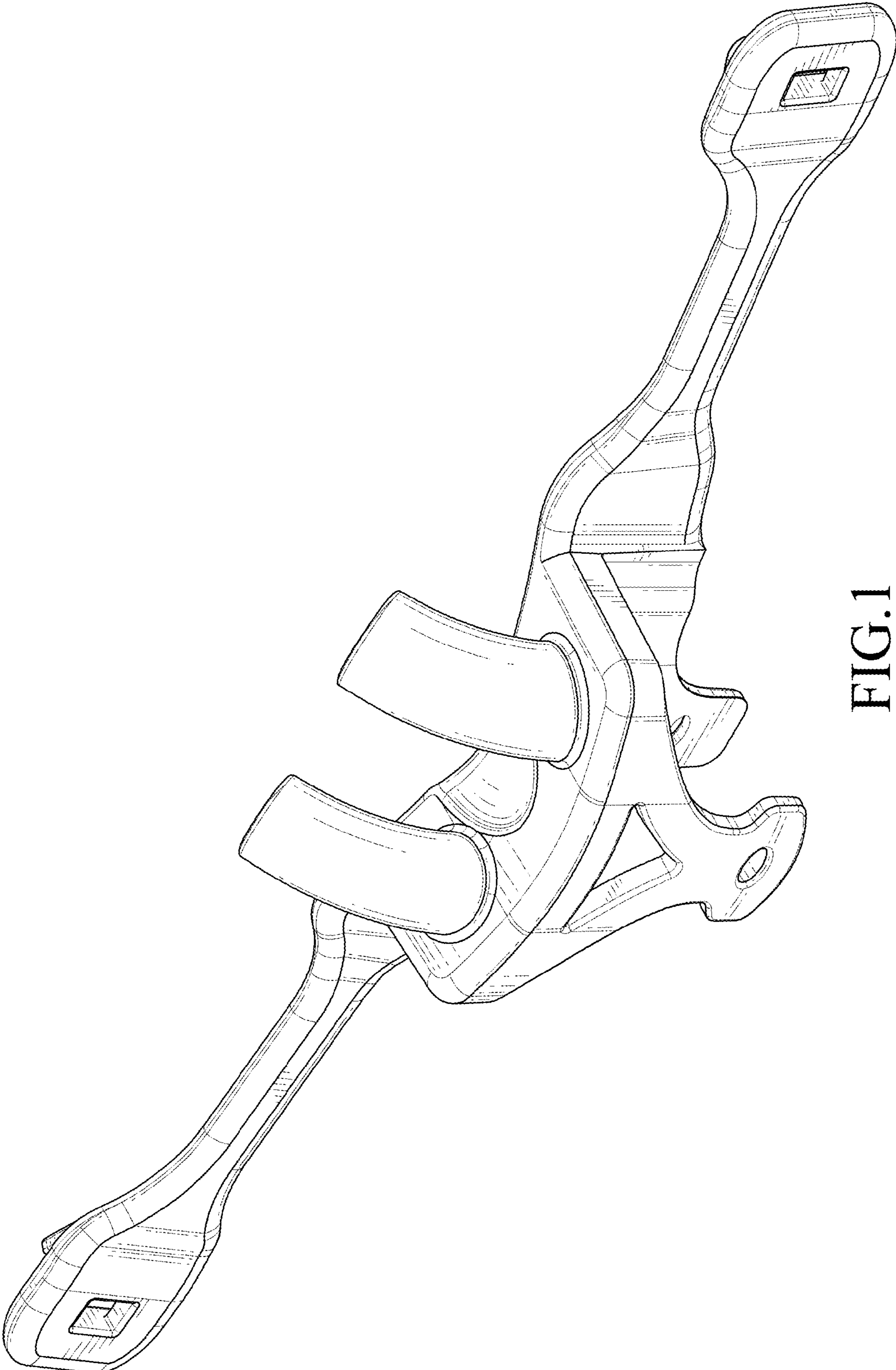


FIG. 1

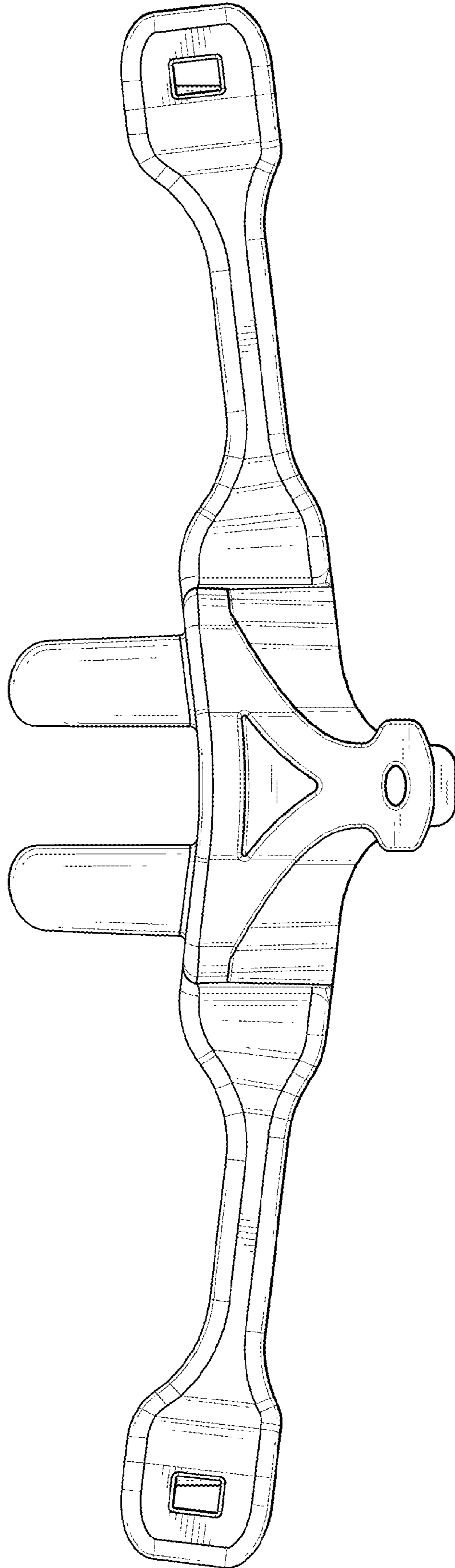


FIG.2

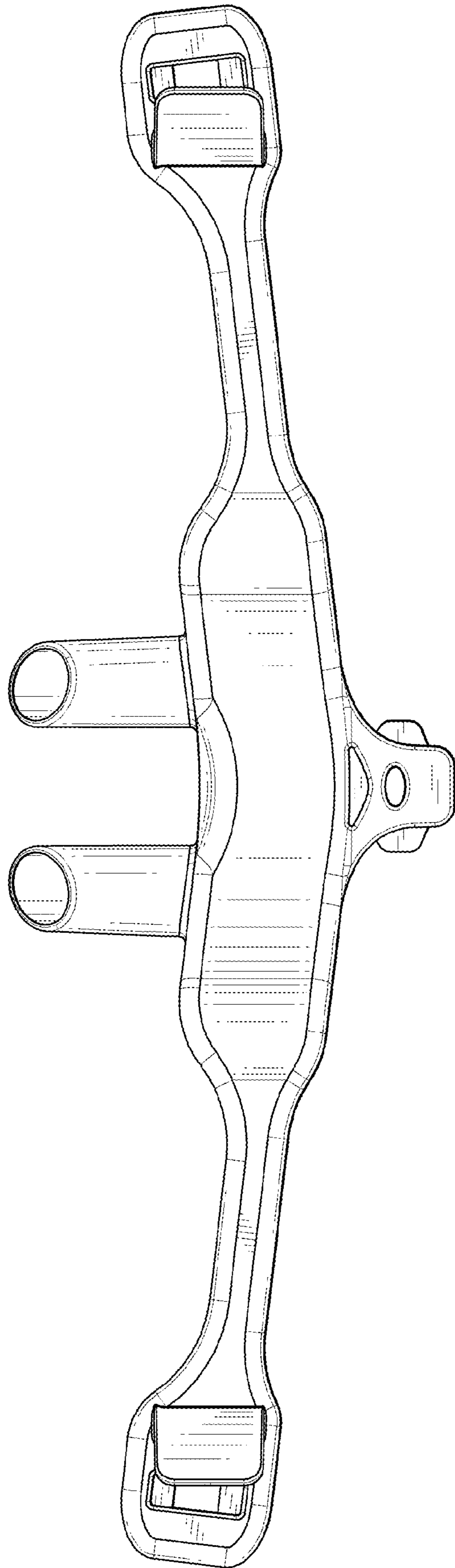


FIG.3

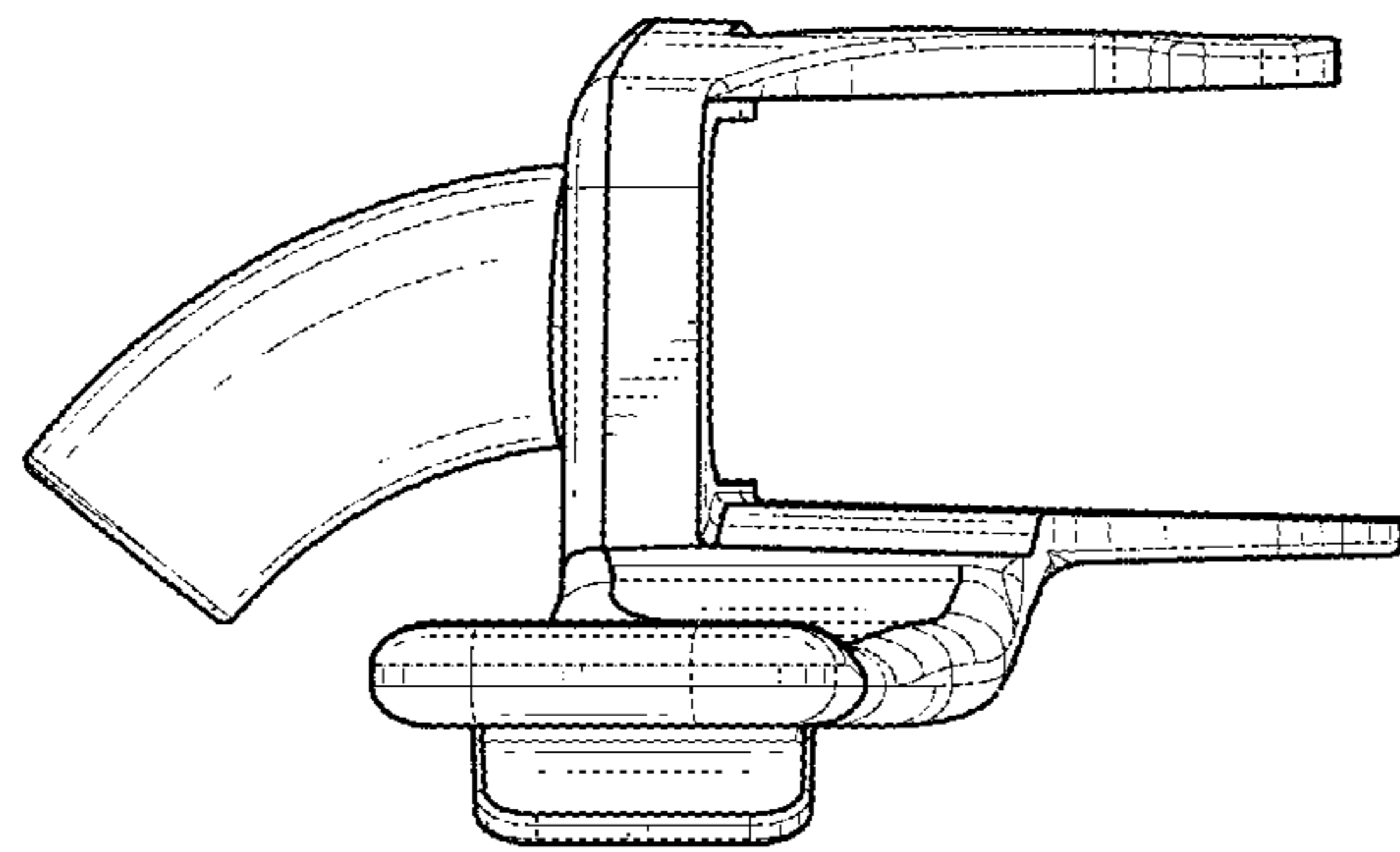


FIG.4

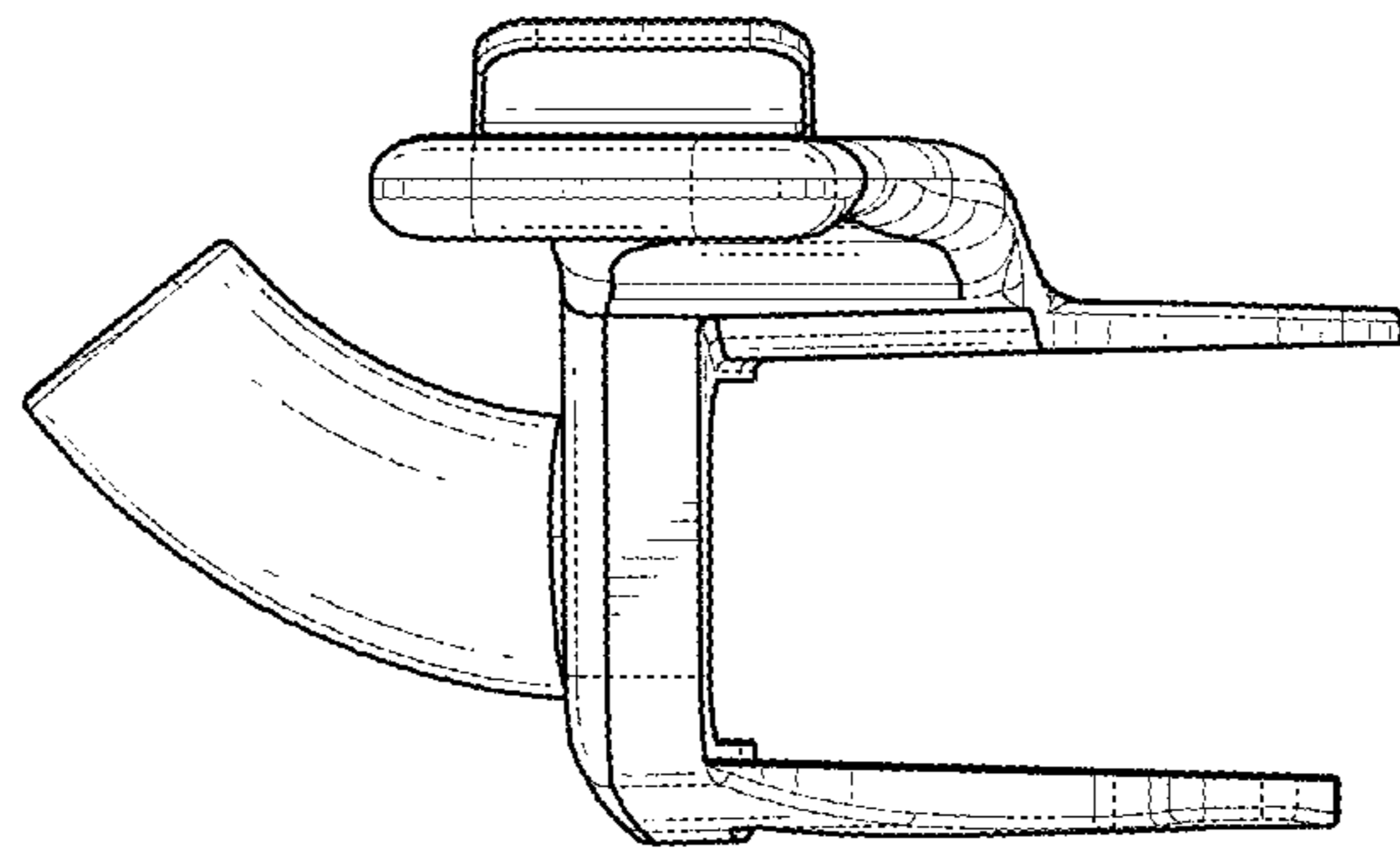


FIG. 5

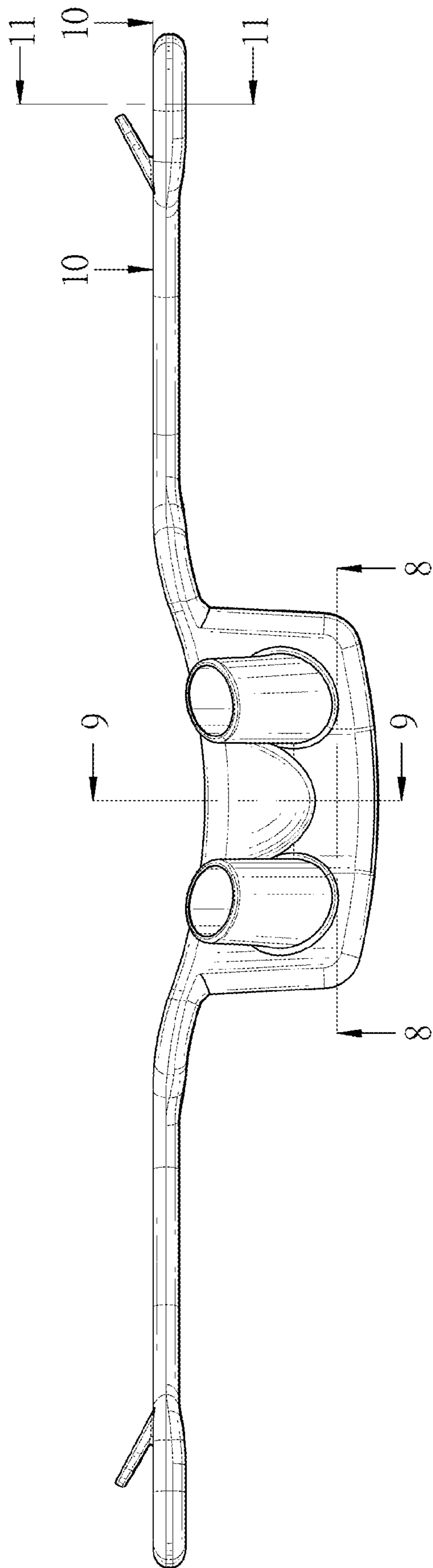


FIG.6

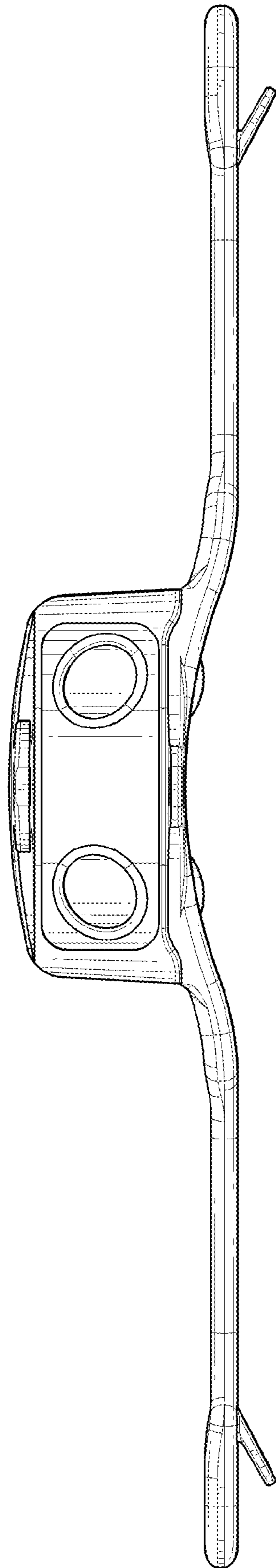


FIG. 7



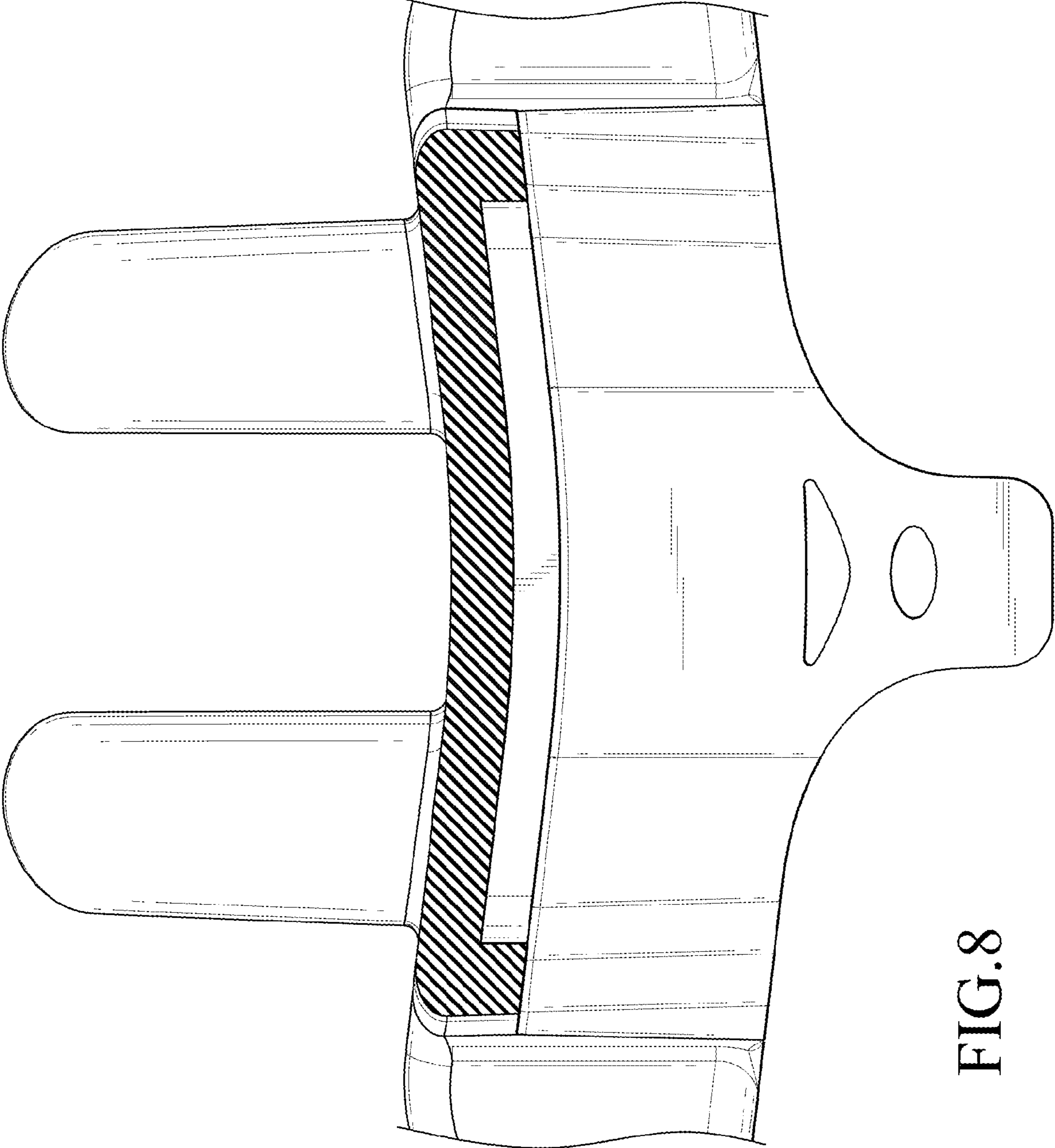


FIG. 8

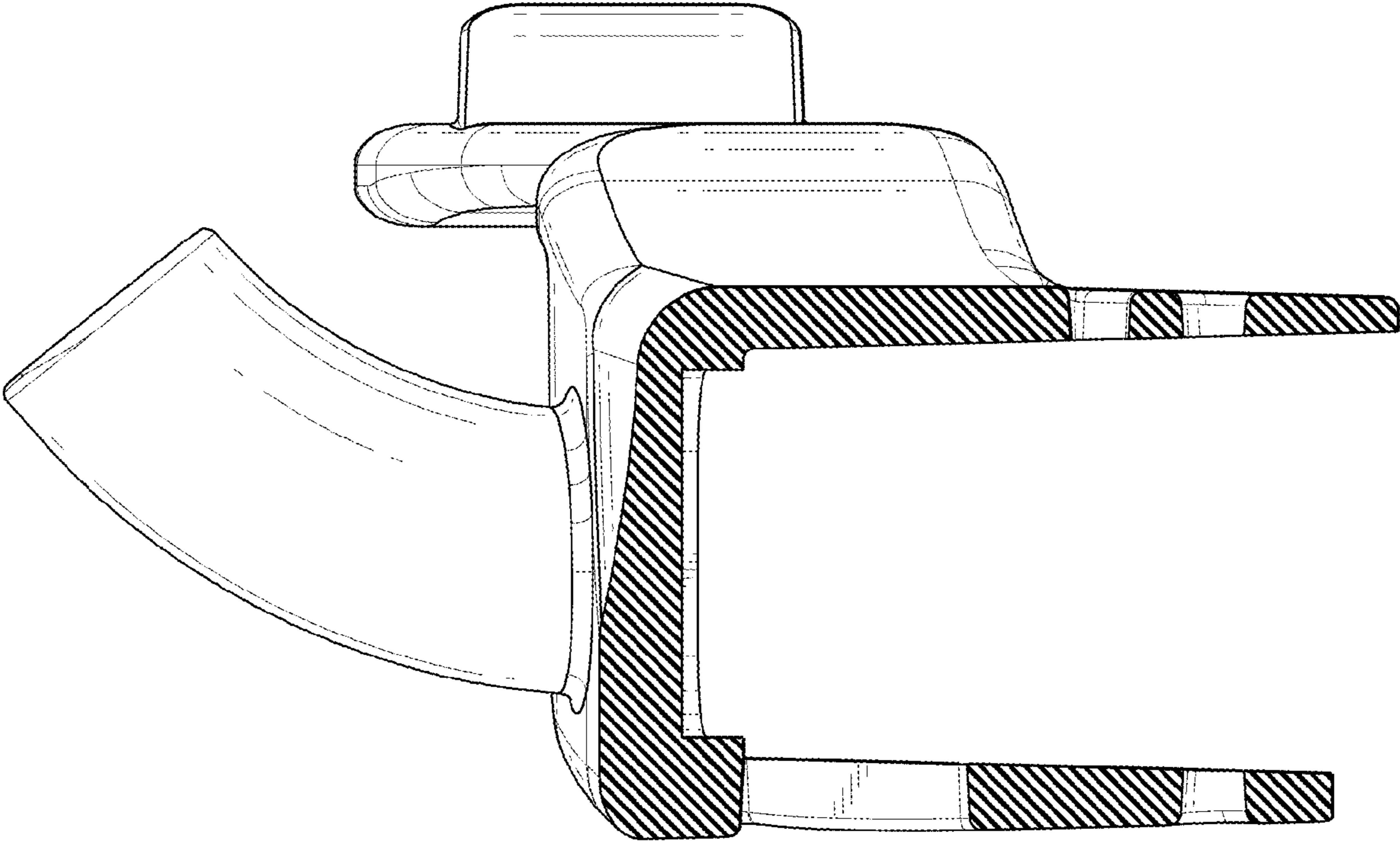


FIG.9

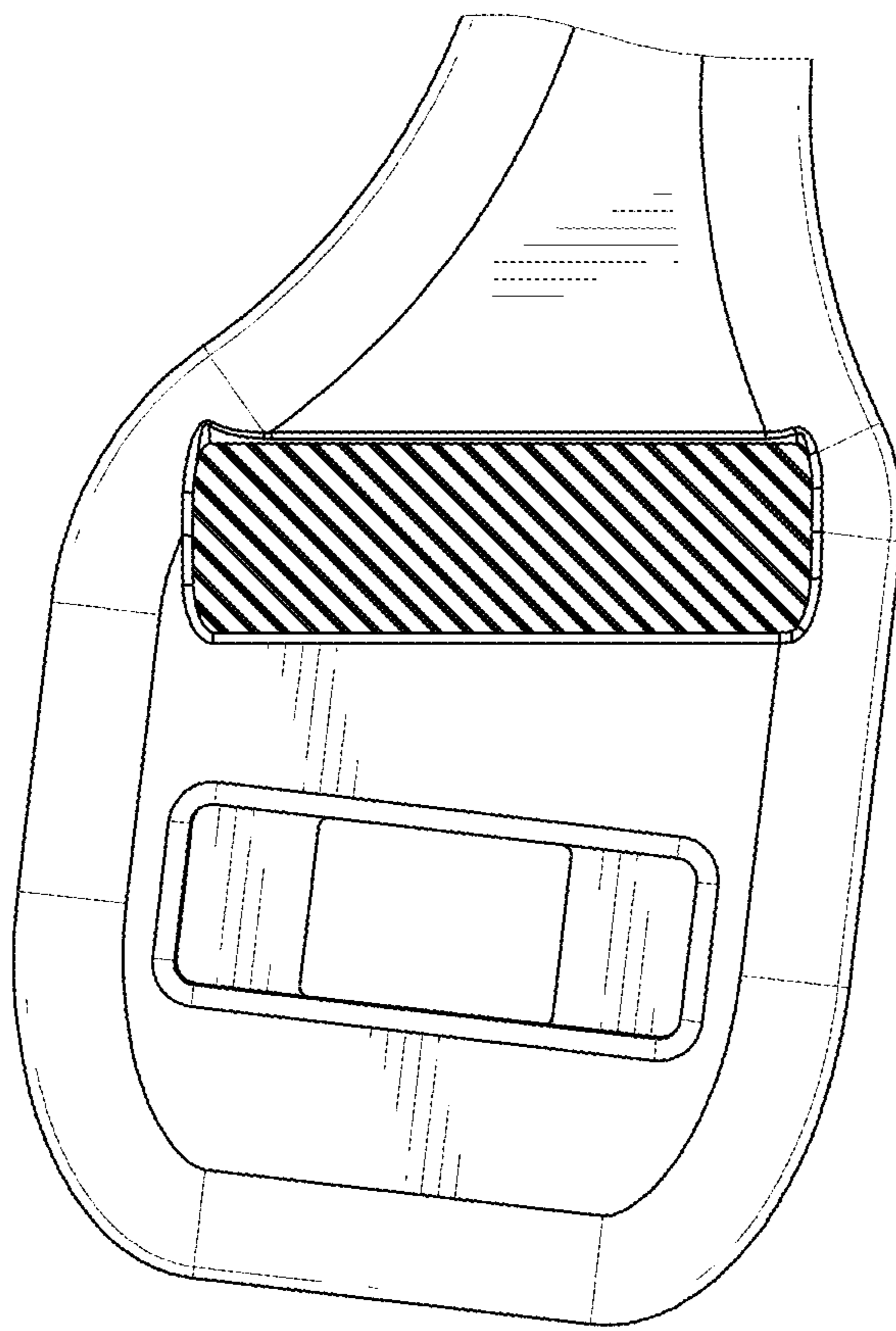


FIG. 10

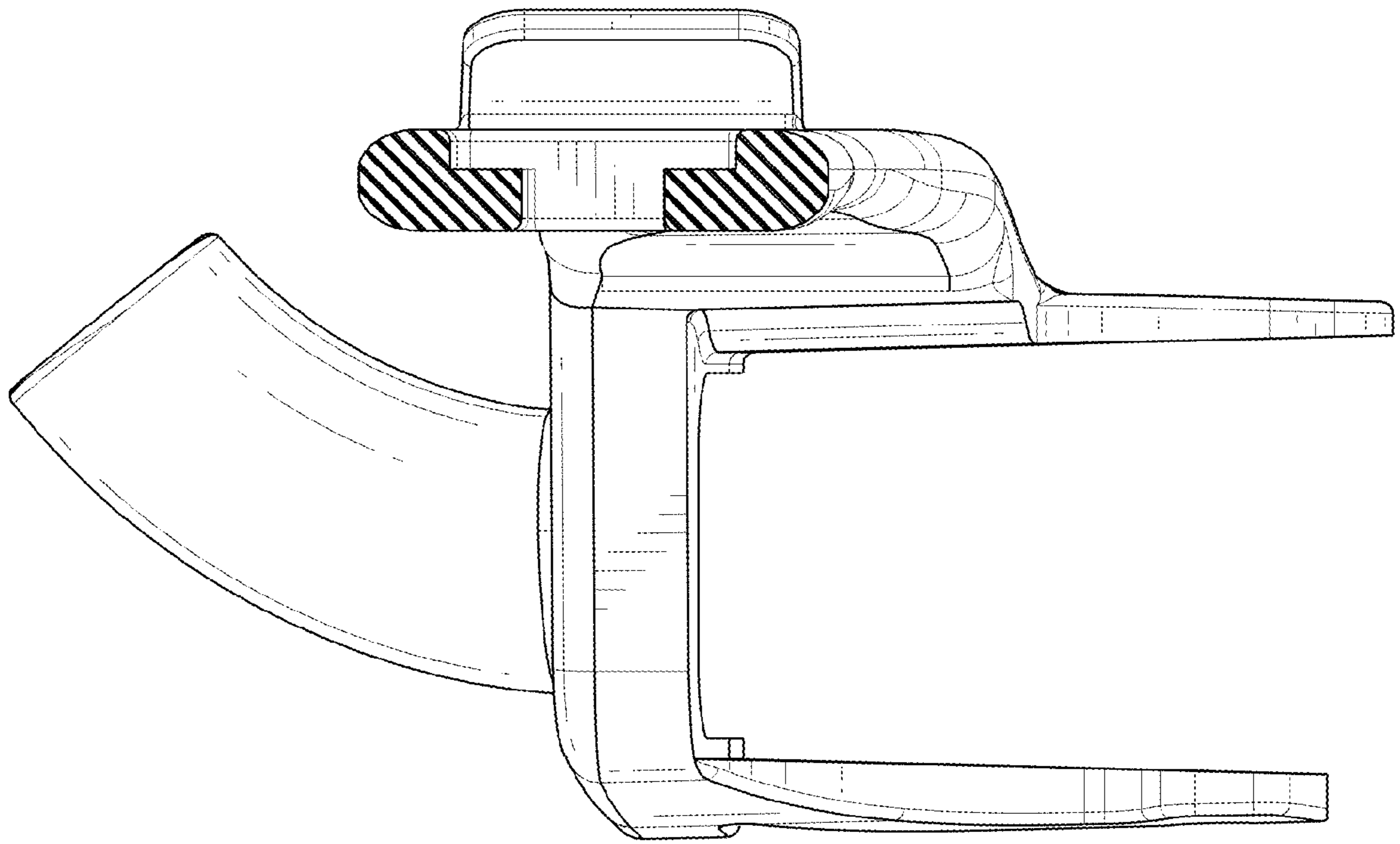


FIG.11