



US00D881381S

(12) **United States Design Patent**  
**Lee et al.**

(10) **Patent No.:** **US D881,381 S**  
(45) **Date of Patent:** **\*\* Apr. 14, 2020**

- (54) **NASAL MASK**
- (71) Applicant: **GaleMed Corporation**, Yilan County (TW)
- (72) Inventors: **Gary C. J. Lee**, Yilan County (TW); **Thomas C. Loescher**, Yilan County (TW); **Yu-Chien Yen**, Yilan County (TW)
- (73) Assignee: **GALEMED CORPORATION**, Yilan County (TW)
- (\*\*) Term: **15 Years**
- (21) Appl. No.: **29/687,223**
- (22) Filed: **Apr. 11, 2019**
- (30) **Foreign Application Priority Data**  
Feb. 20, 2019 (TW) ..... 108300969
- (51) **LOC (12) Cl.** ..... **29-02**
- (52) **U.S. Cl.**  
USPC ..... **D24/110.4**
- (58) **Field of Classification Search**  
USPC ..... D24/108, 110, 110.5, 111, 112, 128, D24/110.4, 110.1, 127, 129  
CPC ..... A61M 16/0666; A61M 16/0672; A61M 2202/0208; A61M 16/0683; A61M 16/06; A61M 2210/0618; A61M 16/0616; A61M 16/0622; A61M 16/0633; A61M 16/00  
See application file for complete search history.

- (56) **References Cited**  
**U.S. PATENT DOCUMENTS**  
1,206,045 A \* 11/1916 Smith ..... A61M 16/06 128/206.24  
D118,142 S \* 12/1939 Willhelmy ..... D24/110.4  
D171,482 S \* 2/1954 Bickel ..... D24/110.4

- 4,248,218 A \* 2/1981 Fischer ..... A61M 16/009 128/204.18
- 4,458,679 A \* 7/1984 Ward ..... A61M 16/06 128/201.13
- D398,987 S \* 9/1998 Cotner ..... D24/110.4
- 6,019,101 A \* 2/2000 Cotner ..... A61M 16/06 128/206.18
- 6,044,844 A \* 4/2000 Kwok ..... A61M 16/06 128/207.11
- 6,135,109 A \* 10/2000 Blasdell ..... A61M 16/06 128/206.21
- D535,742 S \* 1/2007 VonDohlen ..... D24/110.4
- D780,304 S \* 2/2017 Veliss ..... D24/110.4
- 9,981,102 B2 \* 5/2018 Veliss ..... A61M 16/0616
- D835,776 S \* 12/2018 Veliss ..... D24/110.1
- 10,300,235 B2 \* 5/2019 Romagnoli ..... A61M 16/0605
- 10,363,386 B2 \* 7/2019 Matula, Jr. .... A61M 16/0816
- D867,578 S \* 11/2019 Blasdell ..... D24/110.4

(Continued)

*Primary Examiner* — Lilyana Bekic  
(74) *Attorney, Agent, or Firm* — Chung-Ming Shih;  
HDLS IPR Services

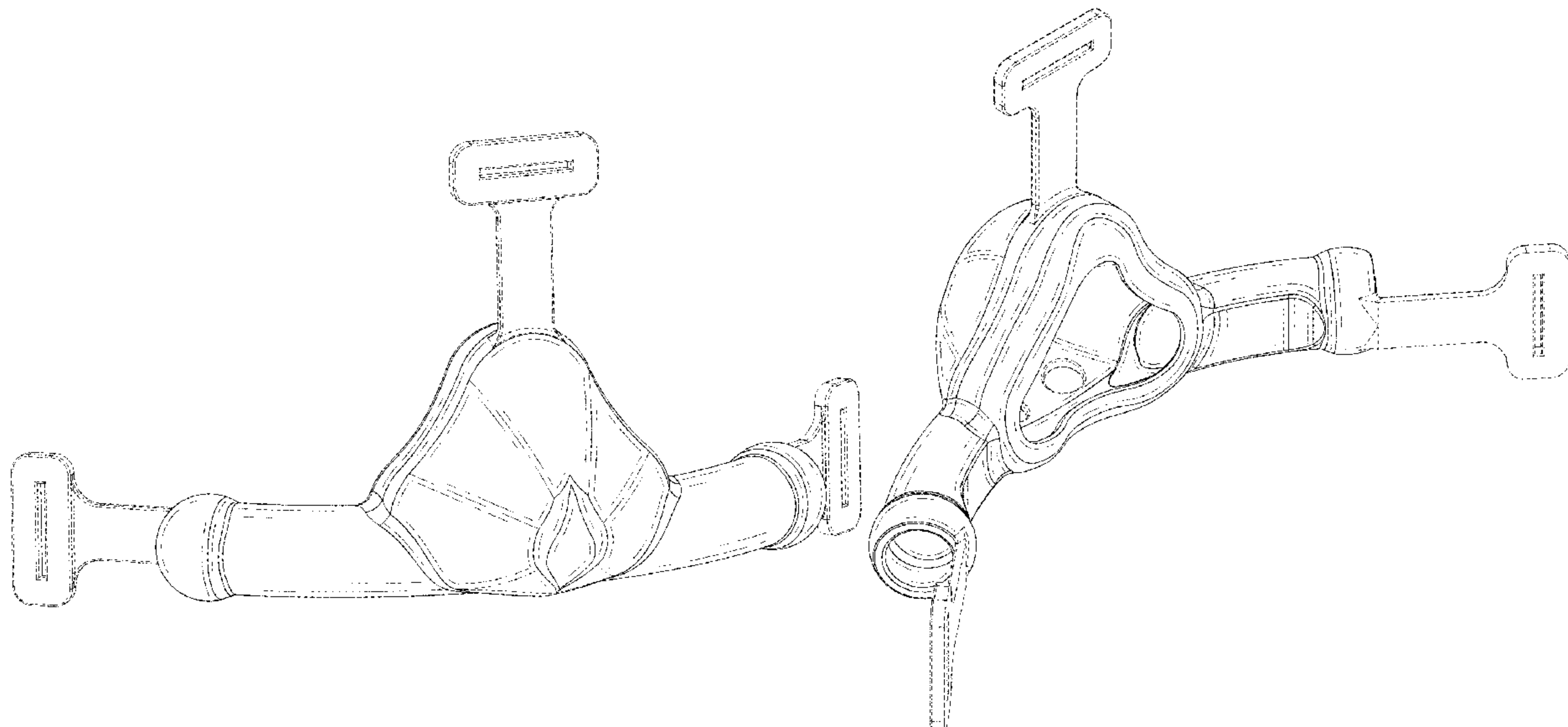
(57) **CLAIM**

The ornamental design for a nasal mask, as shown and described.

**DESCRIPTION**

FIG. 1 is a perspective view of a nasal mask showing our new design;  
FIG. 2 is a front view thereof;  
FIG. 3 is a rear view thereof;  
FIG. 4 is a left side view thereof;  
FIG. 5 is a right side view thereof;  
FIG. 6 is a top view thereof;  
FIG. 7 is a bottom view thereof; and,  
FIG. 8 is a second perspective view showing the nasal mask.  
The broken lines in the drawings illustrate portions of the nasal mask that form part of the claimed design.

**1 Claim, 8 Drawing Sheets**



(56)

**References Cited**

U.S. PATENT DOCUMENTS

2013/0109992 A1\* 5/2013 Guyette ..... A61M 16/06  
600/532  
2016/0361510 A1\* 12/2016 Alphonse ..... A61M 16/06  
2017/0259018 A1\* 9/2017 Blasdel ..... A61M 16/208  
2017/0361057 A1\* 12/2017 Blasdel ..... A61M 16/0611

\* cited by examiner

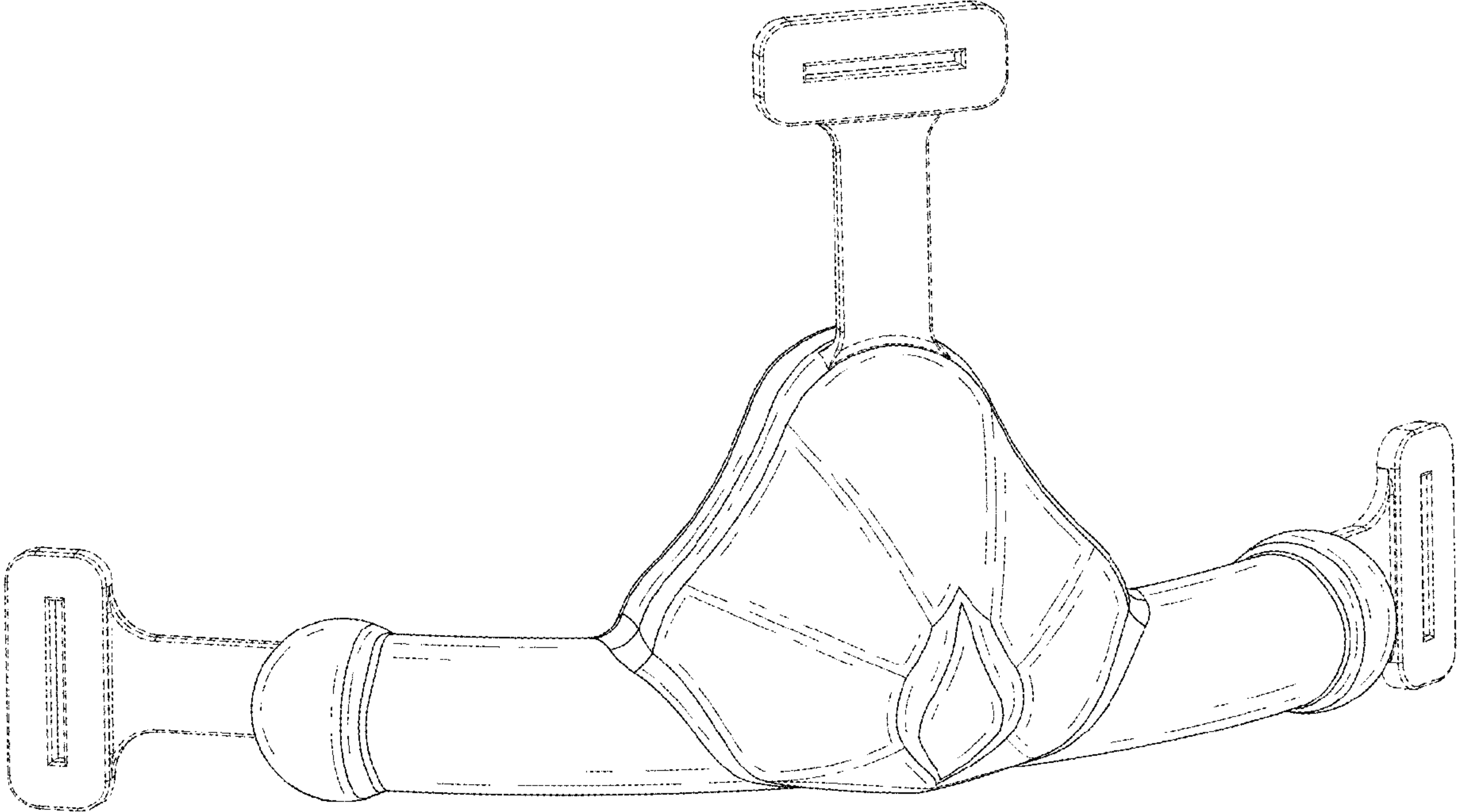


FIG.1

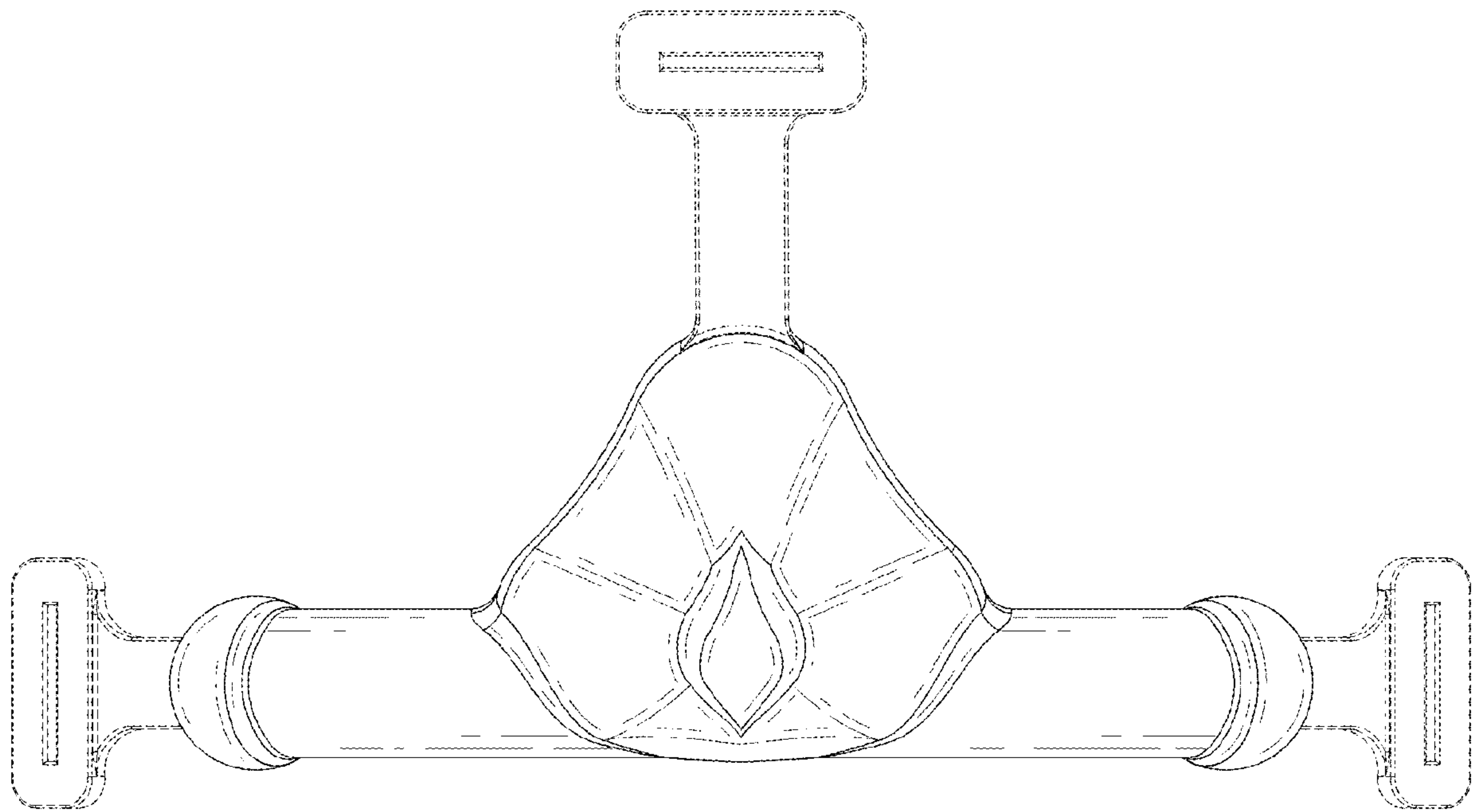


FIG.2

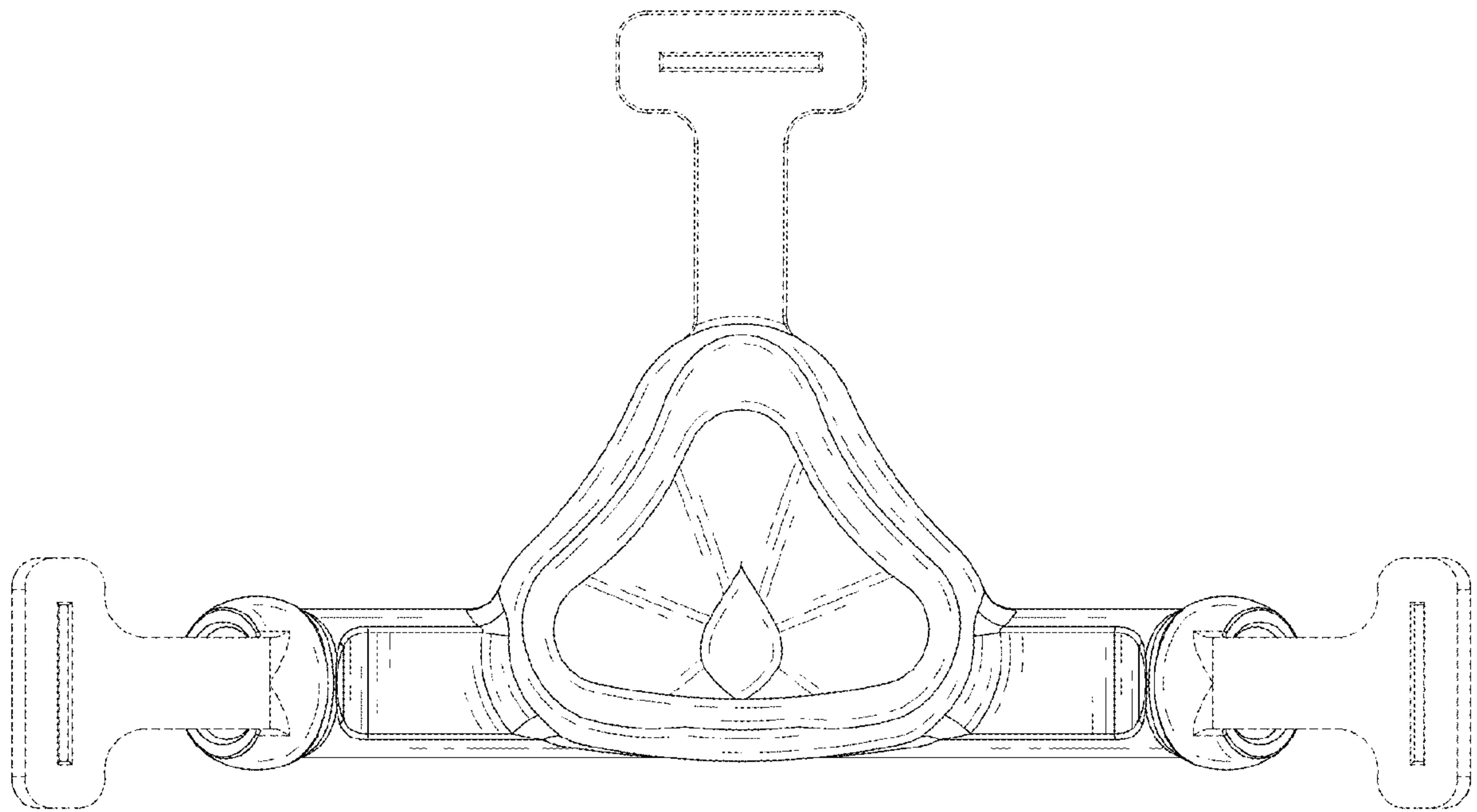


FIG.3

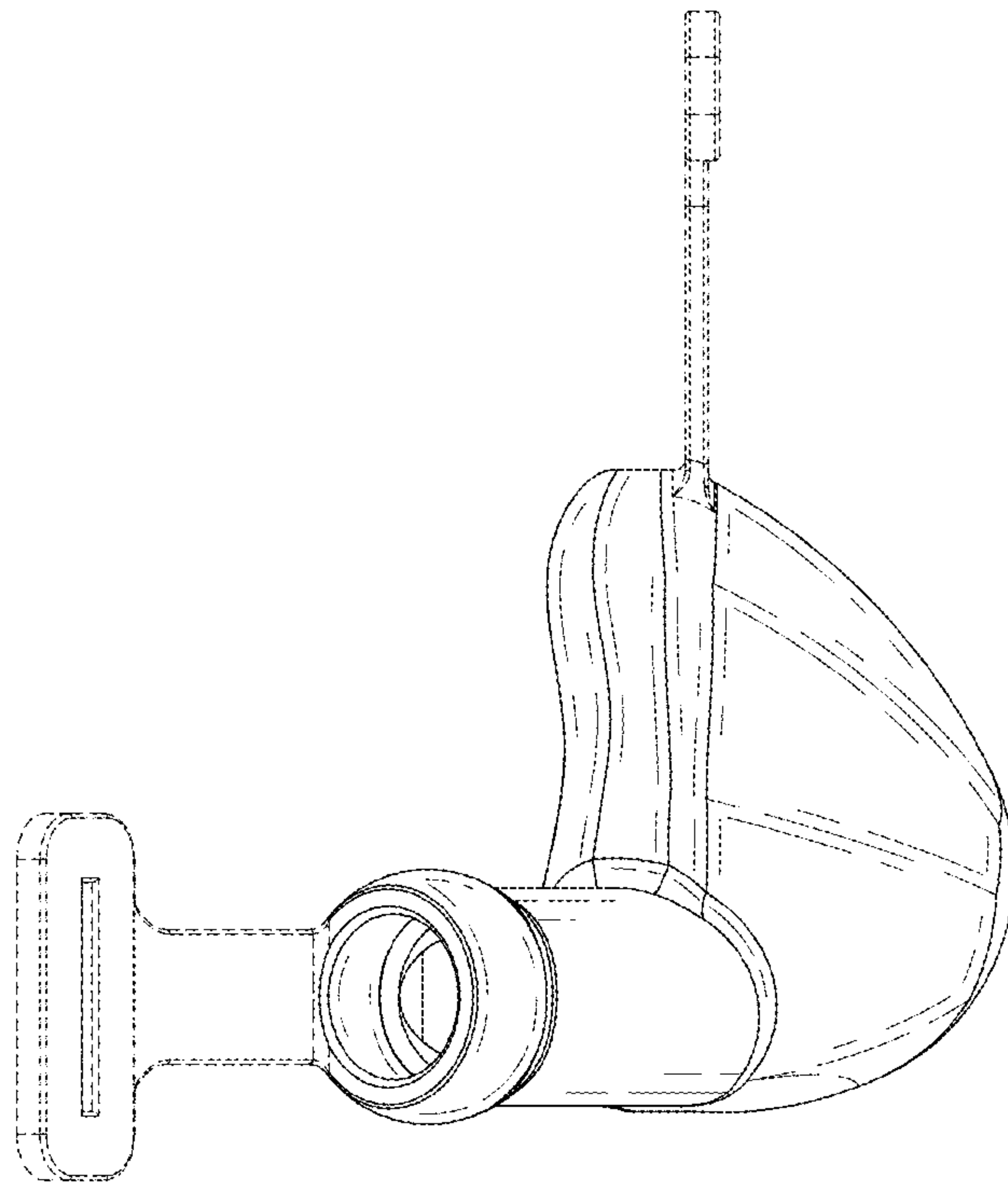


FIG.4

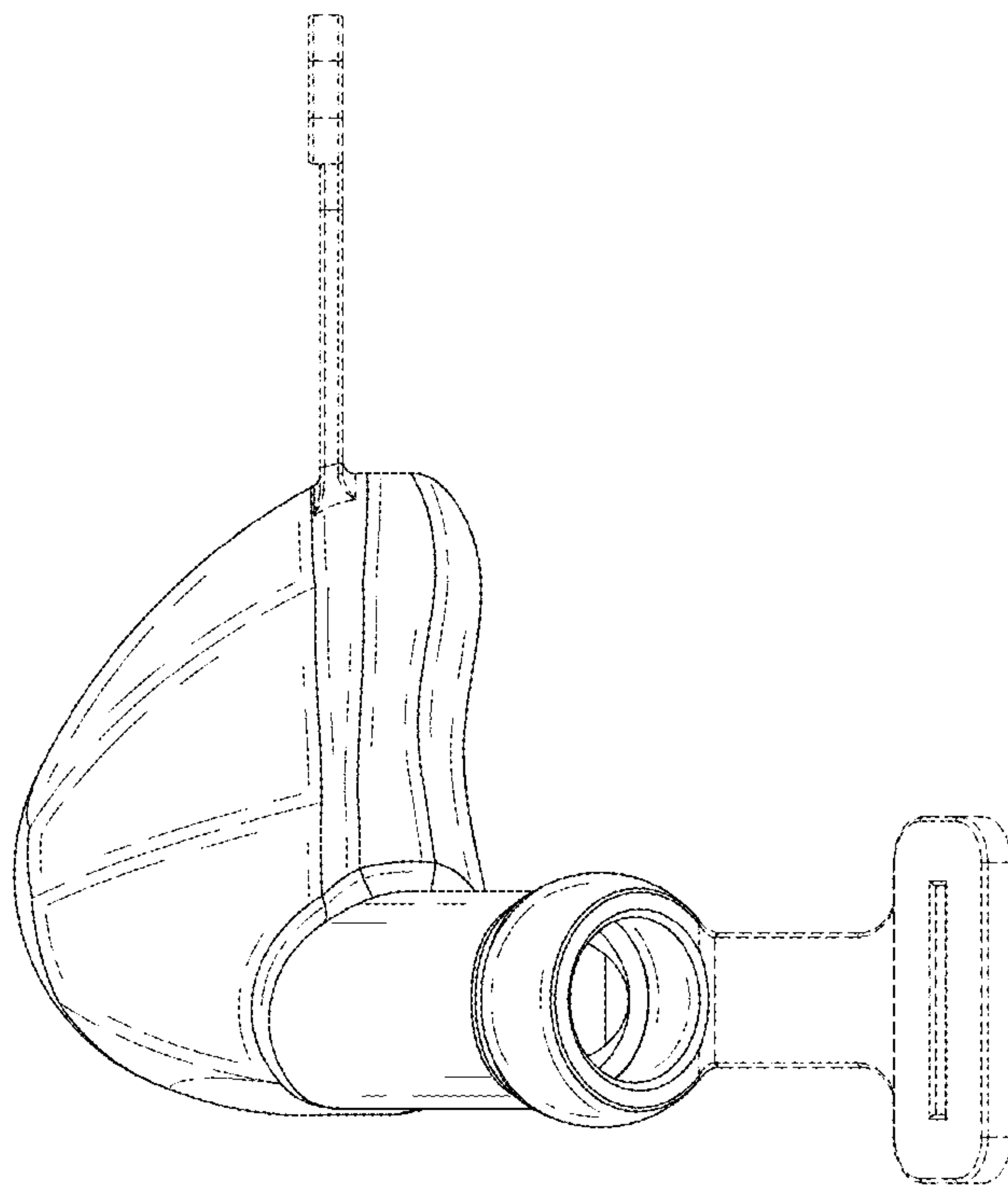


FIG.5



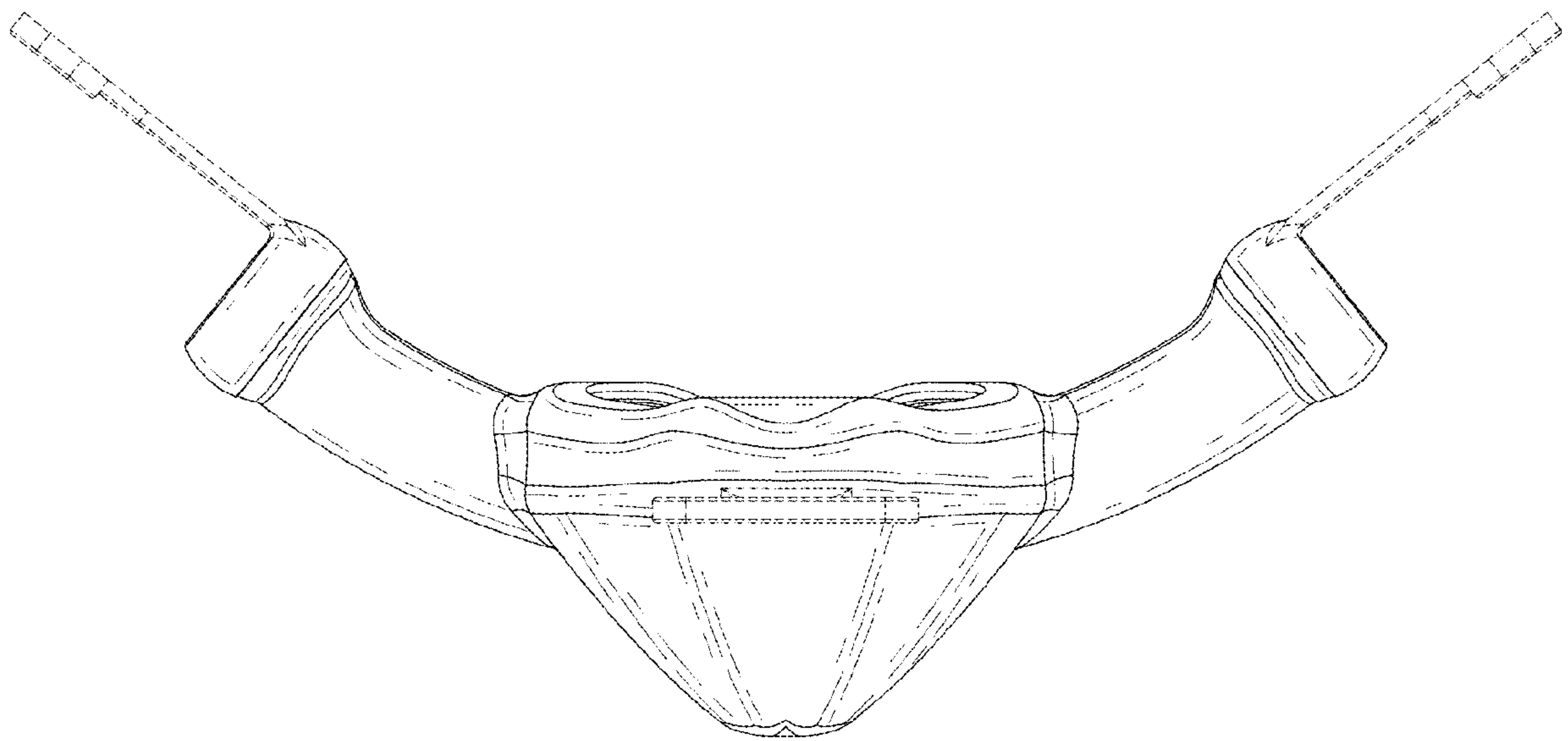


FIG.6



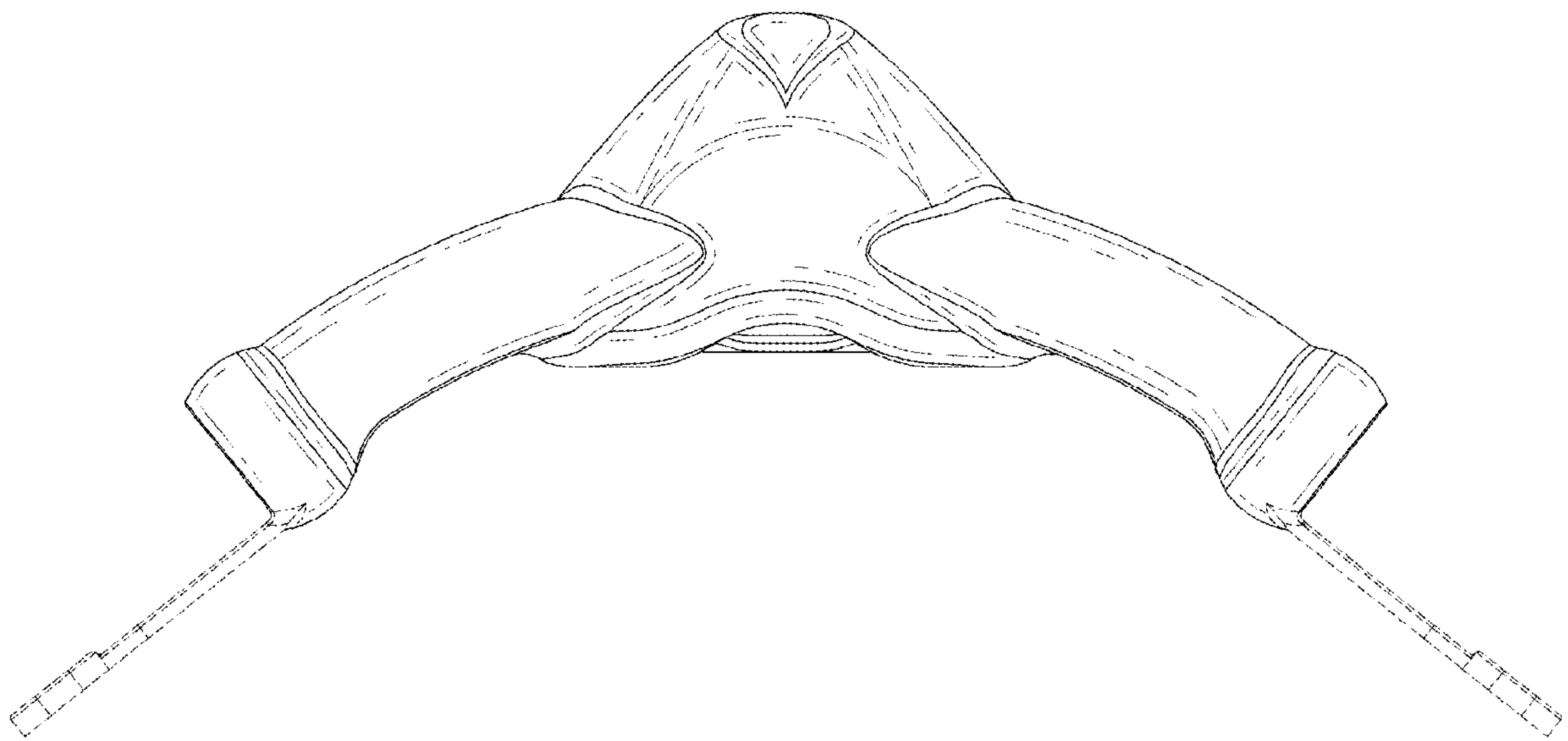


FIG.7

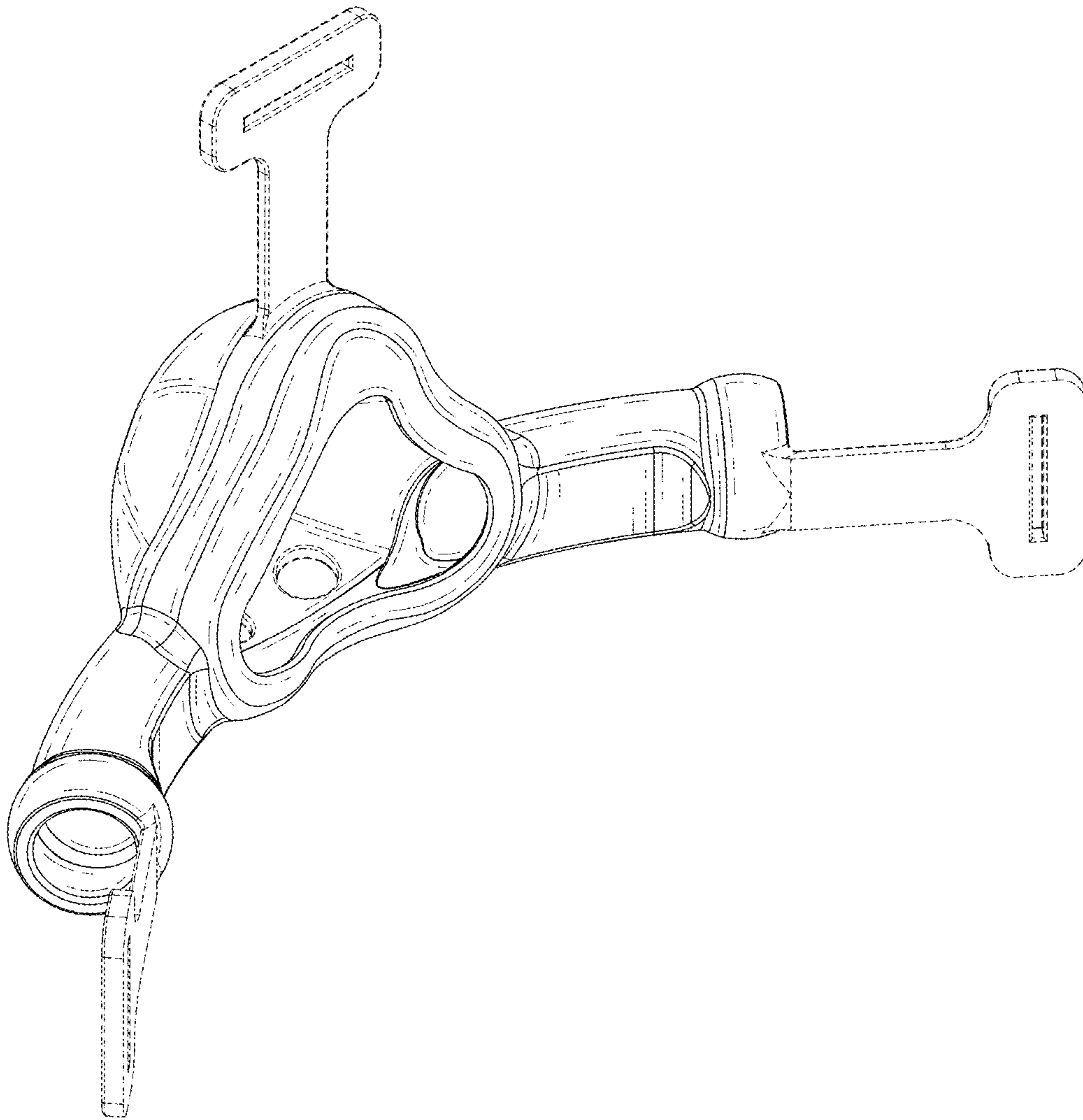


FIG.8