



US00D881378S

(12) **United States Design Patent**
Barbagelata et al.

(10) **Patent No.:** **US D881,378 S**
(45) **Date of Patent:** **** Apr. 14, 2020**

(54) **GLASS FOR SNORKEL MASK**

FOREIGN PATENT DOCUMENTS

(71) Applicant: **Mares S.p.A.**, Rapallo (GE) (IT)

BR	302014001959-000	*	9/2015
CN	304696606	*	6/2018
CN	304758582	*	8/2018
CN	304797788	*	9/2018
CN	305004461	*	1/2019
CN	305251035	*	7/2019
EM	005329430-0001	*	7/2018
EM	005506888-0001	*	7/2018
EM	005620150-0001	*	9/2018
KR	301020239.0000	*	8/2019

(72) Inventors: **Marco Barbagelata**, Genoa (IT);
Aristide Barone, Rapallo (IT)

(**) Term: **15 Years**

(21) Appl. No.: **29/662,024**

(22) Filed: **Aug. 31, 2018**

(30) **Foreign Application Priority Data**

Mar. 13, 2018 (EM) 004753556-0005

(51) **LOC (12) Cl.** **29-02**

(52) **U.S. Cl.**
USPC **D24/110.2; D24/110.4**

(58) **Field of Classification Search**
USPC D24/110-110.5; D29/104-105, 109-110
CPC B63C 11/205; B63C 11/16; B63C 11/186;
B63C 11/12

See application file for complete search history.

(56) **References Cited**

U.S. PATENT DOCUMENTS

D775,722	S	*	1/2017	Caprice	D24/110.2
D839,408	S	*	1/2019	Hu	D24/110.2
D852,265	S	*	6/2019	Liao	D24/110.2
D852,266	S	*	6/2019	Liao	D24/110.2
D860,436	S	*	9/2019	Chen	D24/110.2
D863,543	S	*	10/2019	Hu	D24/110.2
D869,640	S	*	12/2019	Fan	D24/110.2
2016/0297505	A1	*	10/2016	Caprice	B63C 11/16
2017/0096204	A1	*	4/2017	Cucchia	B63C 11/12
2018/0065719	A1	*	3/2018	Liao	B63C 11/14
2019/0002068	A1	*	1/2019	Godoy	B63C 11/205
2019/0039702	A1	*	2/2019	Gamberini	B63C 11/12
2019/0225311	A1	*	7/2019	Barone	B63C 11/16
2019/0225312	A1	*	7/2019	Barone	B63C 11/16

OTHER PUBLICATIONS

Darwin (Shenzhen) Sports Co., LTD. Catalog. Darwin Sports. Date retrieved: Oct. 8, 2019. Retrieved from Internet: <https://www.darwinsports.com/wp-content/uploads/2019/08/DARWIN-SPORTS-PRODUCTS-CATALOGE.pdf> (Year: 2019).*

* cited by examiner

Primary Examiner — Lilyana Bekic
(74) *Attorney, Agent, or Firm* — Themis Law

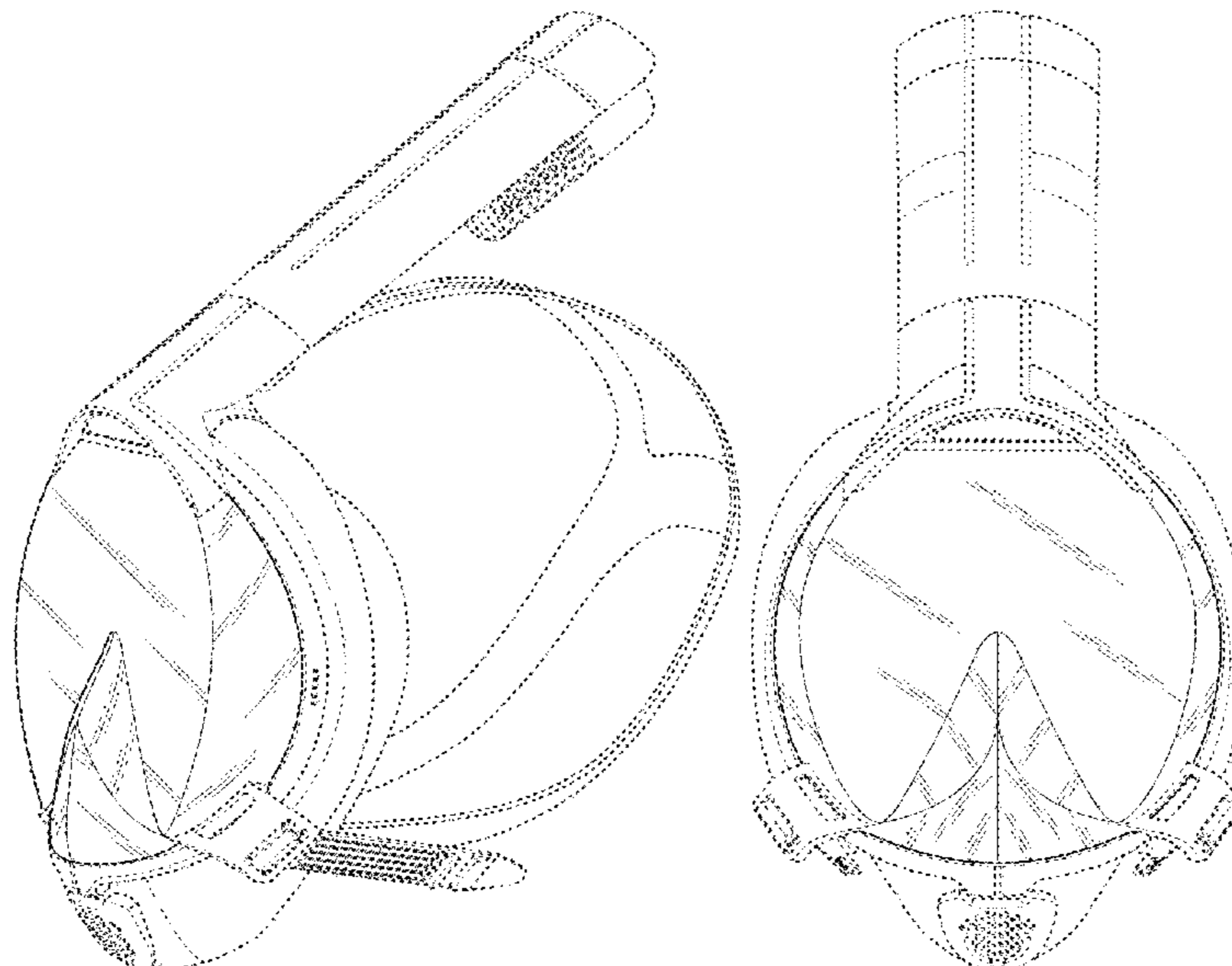
(57) **CLAIM**

The ornamental design for a glass for snorkel mask, as shown and described.

DESCRIPTION

FIG. 1 is a perspective view of a glass for snorkel mask showing our new design;
FIG. 2 is a top view thereof;
FIG. 3 is a bottom view thereof;
FIG. 4 is a front view thereof;
FIG. 5 is a rear view thereof;
FIG. 6 is a left side view thereof; and,
FIG. 7 is a right side view thereof.
The broken line showing of the snorkel mask depicts environmental structure and forms no part of the claimed design.

1 Claim, 7 Drawing Sheets



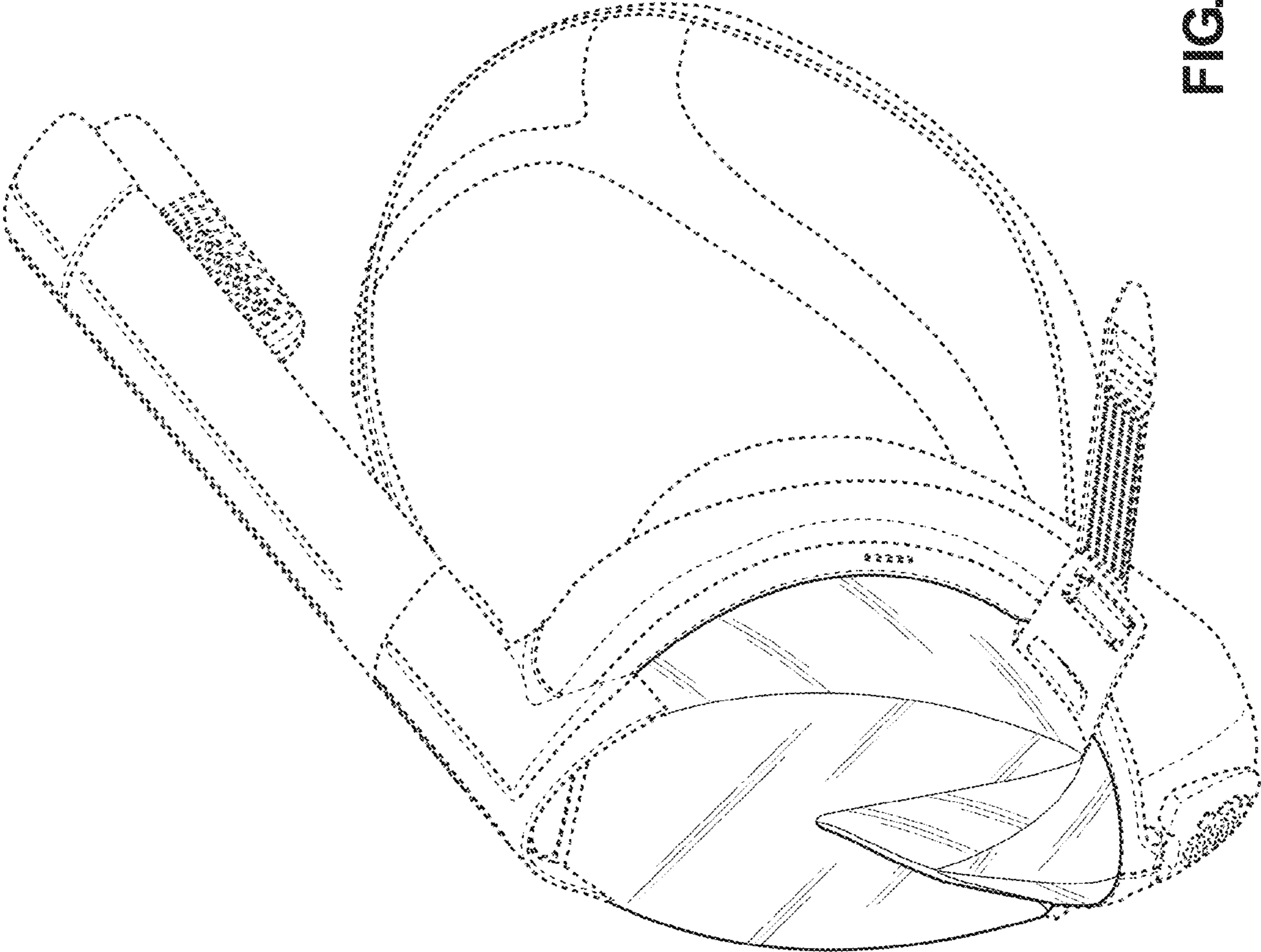


FIG. 1

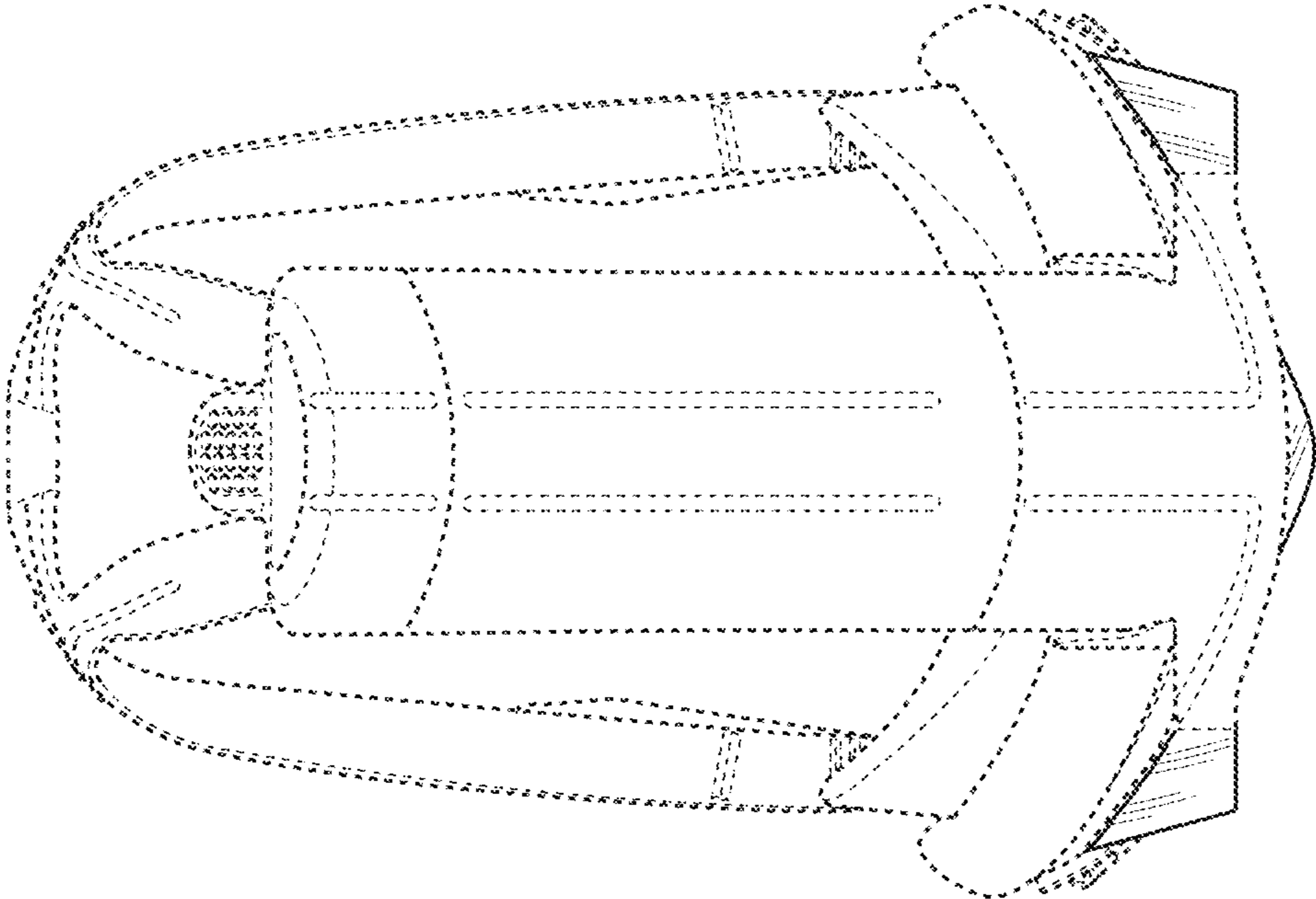


FIG. 2

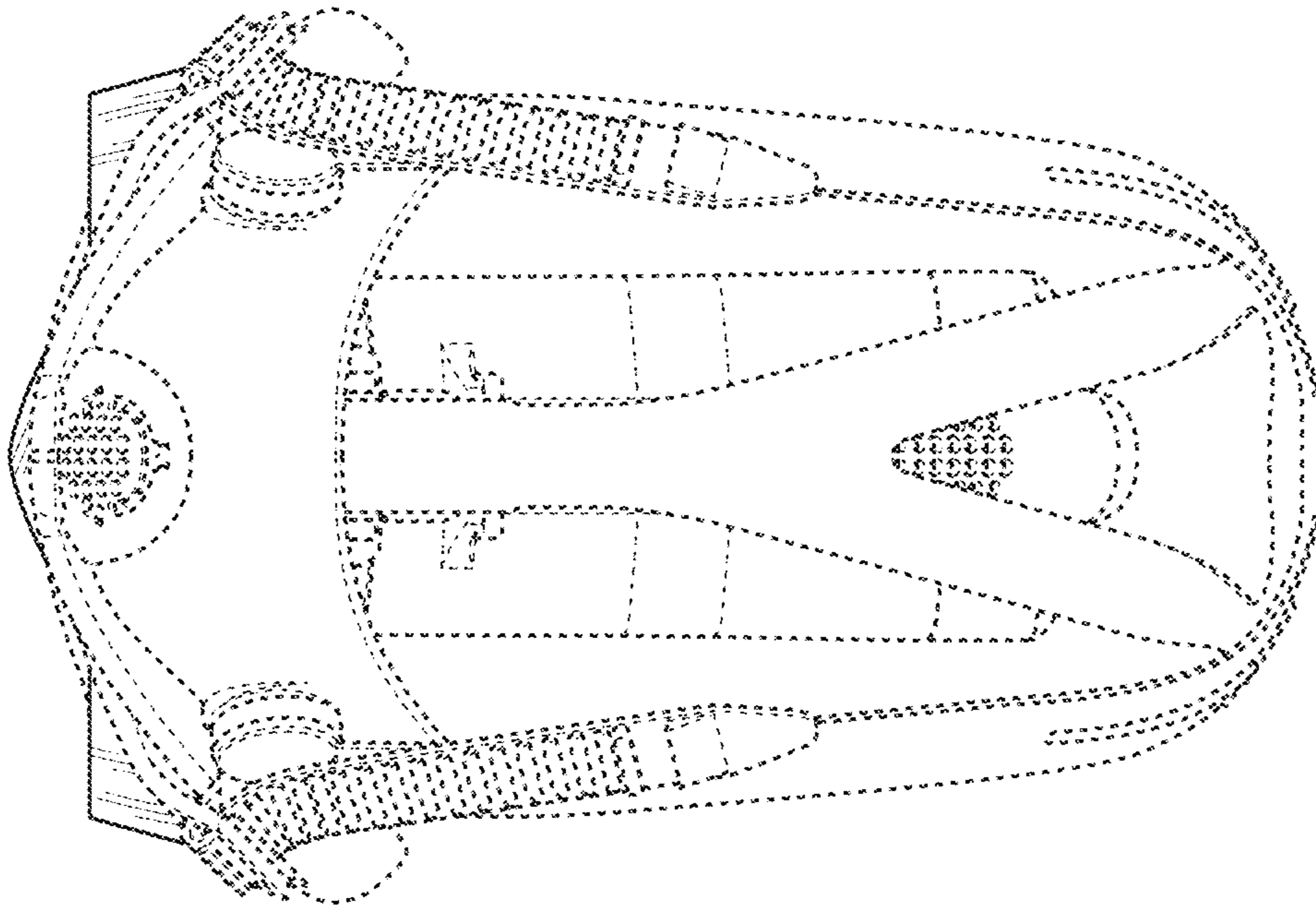


FIG. 3

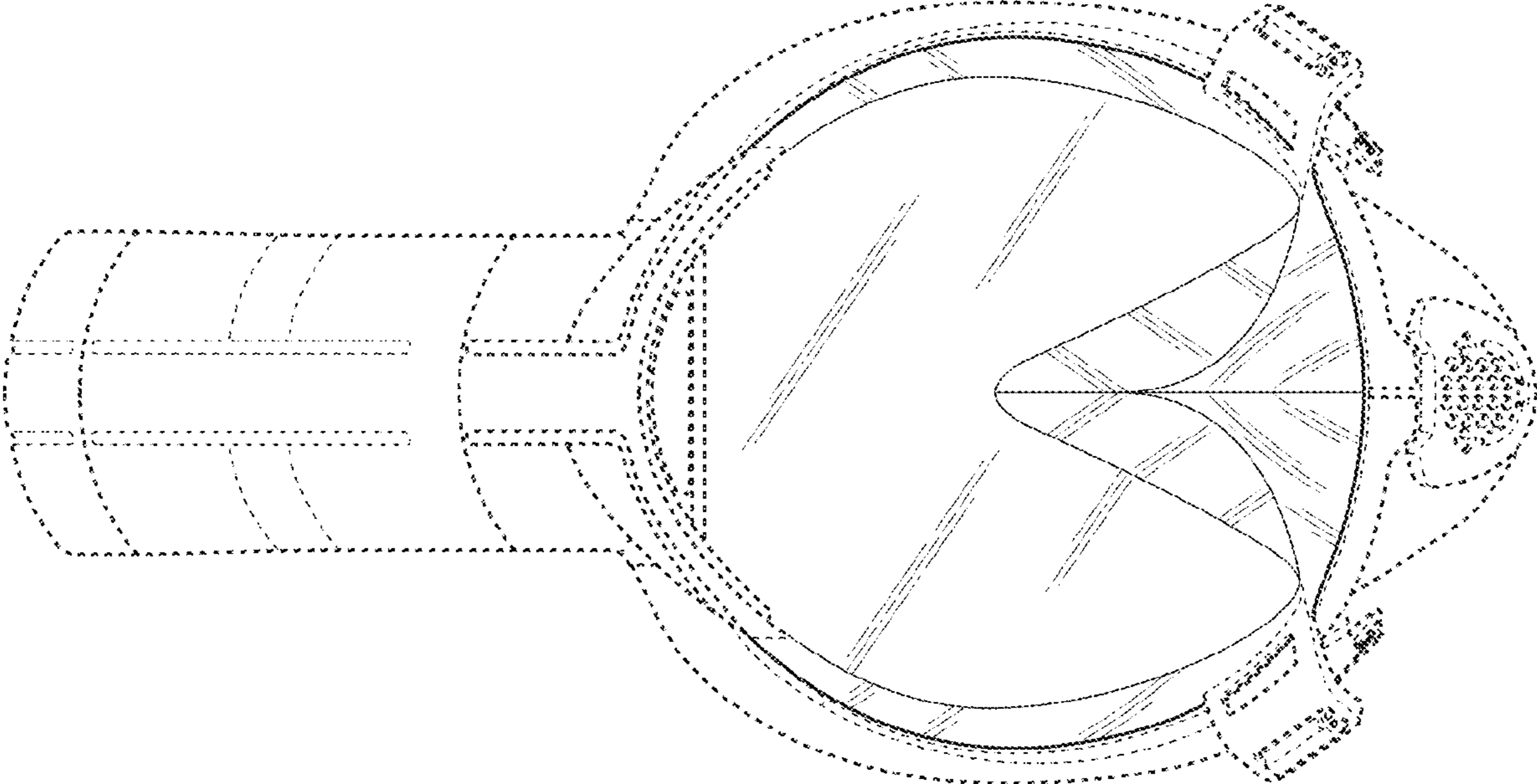


FIG. 4

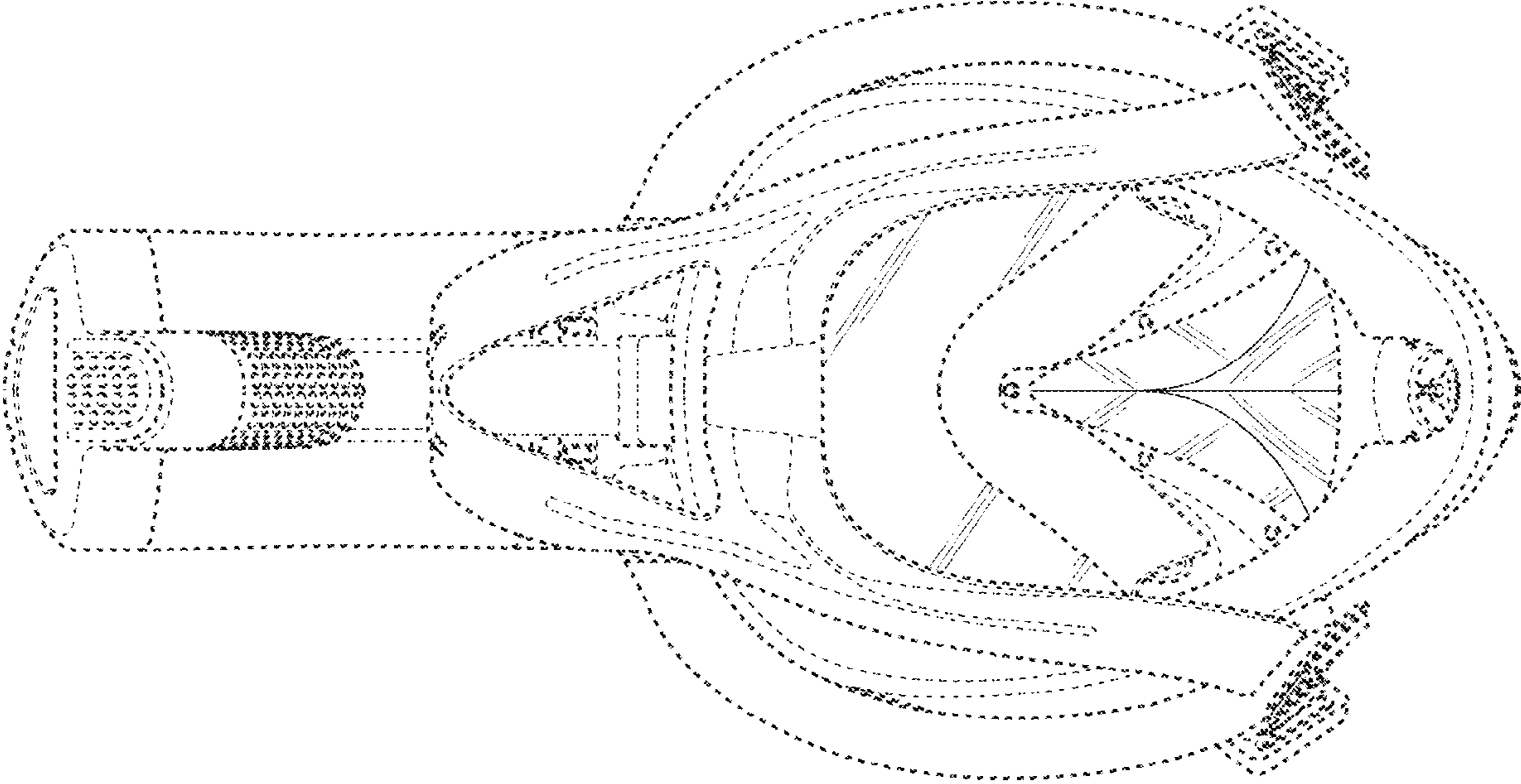


FIG. 5

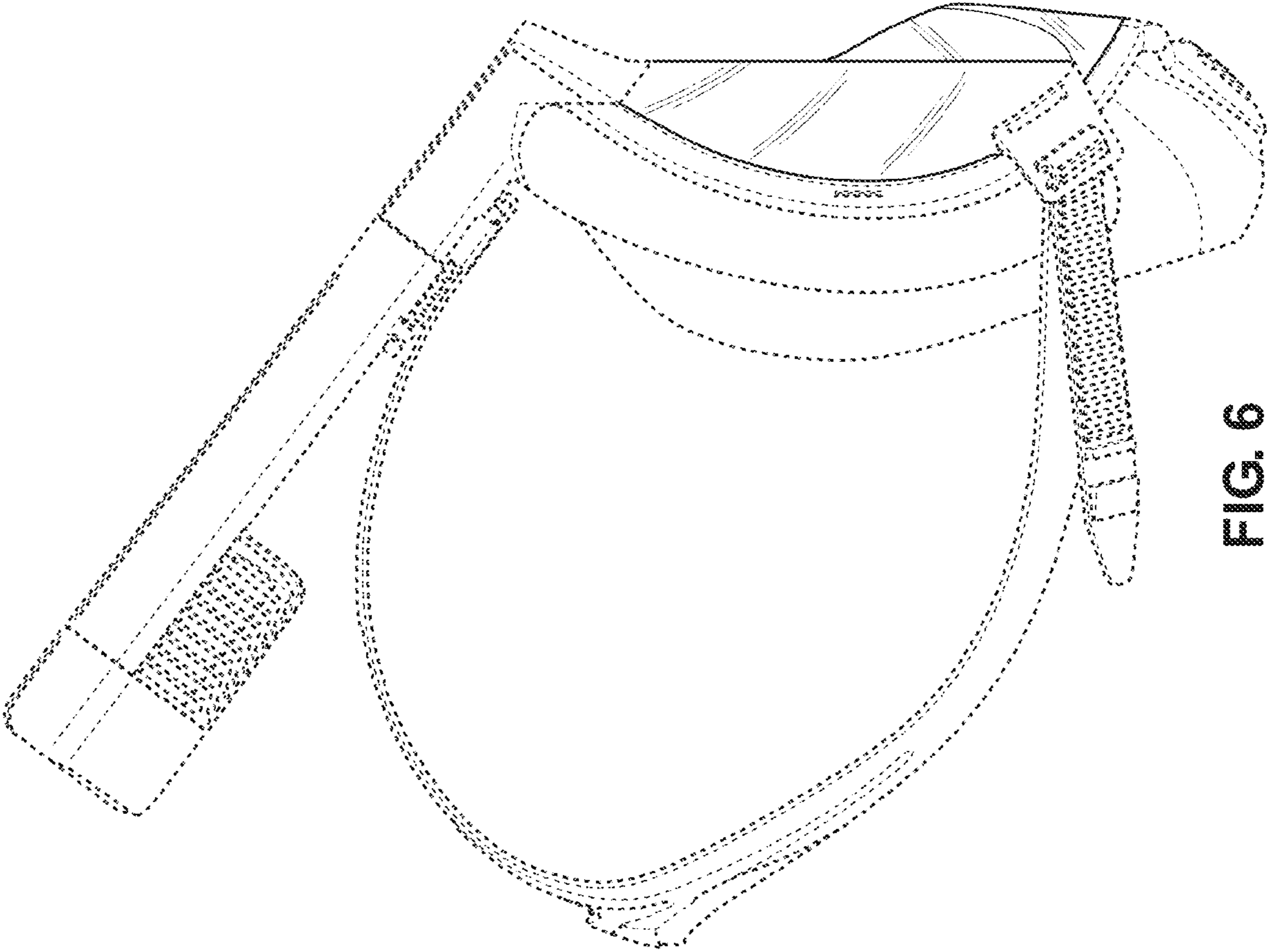


FIG. 6

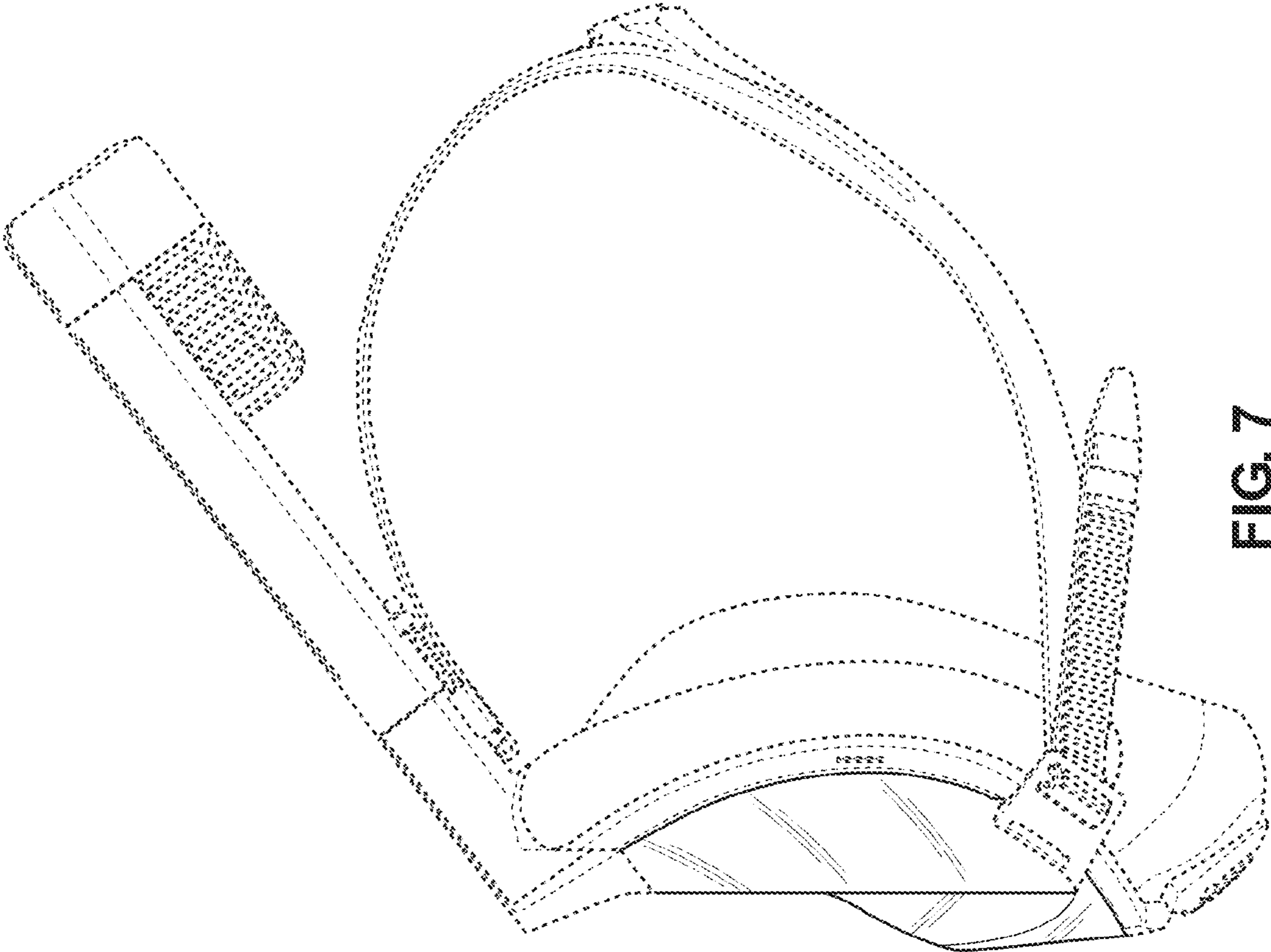


FIG. 7