



US00D881377S

(12) **United States Design Patent**  
**Barbagelata et al.**

(10) **Patent No.:** **US D881,377 S**

(45) **Date of Patent:** **\*\* Apr. 14, 2020**

(54) **GLASS FOR SNORKEL MASK**

(71) Applicant: **Mares S.p.A.**, Rapallo (GE) (IT)

(72) Inventors: **Marco Barbagelata**, Genoa (IT);  
**Aristide Barone**, Rapallo (IT)

(\*\*) Term: **15 Years**

(21) Appl. No.: **29/662,021**

(22) Filed: **Aug. 31, 2018**

(30) **Foreign Application Priority Data**

Mar. 13, 2018 (EM) ..... 004753556-0001

Mar. 13, 2018 (EM) ..... 004753556-0003

(51) **LOC (12) Cl.** ..... **29-02**

(52) **U.S. Cl.**  
USPC ..... **D24/110.2; D24/110.4**

(58) **Field of Classification Search**  
USPC ..... D24/110-110.5; D29/104-105, 109-110  
CPC ..... B63C 11/205; B63C 11/16; B63C 11/186;  
B63C 11/12

See application file for complete search history.

(56) **References Cited**

**U.S. PATENT DOCUMENTS**

D775,722 S \* 1/2017 Caprice ..... D24/110.2  
D839,408 S \* 1/2019 Hu ..... D24/110.2  
D852,265 S \* 6/2019 Liao ..... D24/110.2  
D860,436 S \* 9/2019 Chen ..... D24/110.2  
2018/0065719 A1\* 3/2018 Liao ..... B63C 11/14  
2019/0039702 A1\* 2/2019 Gamberini ..... B63C 11/12

2019/0118918 A1\* 4/2019 Xiao ..... B63C 11/16  
2019/0224506 A1\* 7/2019 Palmieri ..... A62B 9/02  
2019/0225311 A1\* 7/2019 Barone ..... B63C 11/16  
2019/0225312 A1\* 7/2019 Barone ..... B63C 11/16  
2019/0359302 A1\* 11/2019 Shiue ..... F16M 13/04

**FOREIGN PATENT DOCUMENTS**

CN 304394900 \* 12/2017  
EM 004140531-0001 \* 12/2017  
KR 300967430.0000 \* 8/2018

\* cited by examiner

*Primary Examiner* — Lilyana Bekic

(74) *Attorney, Agent, or Firm* — Themis Law

(57) **CLAIM**

The ornamental design for a glass for snorkel mask, as shown and described.

**DESCRIPTION**

FIG. 1 is a perspective view of a glass for snorkel mask showing our new design;

FIG. 2 is a top view thereof;

FIG. 3 is a bottom view thereof;

FIG. 4 is a front view thereof;

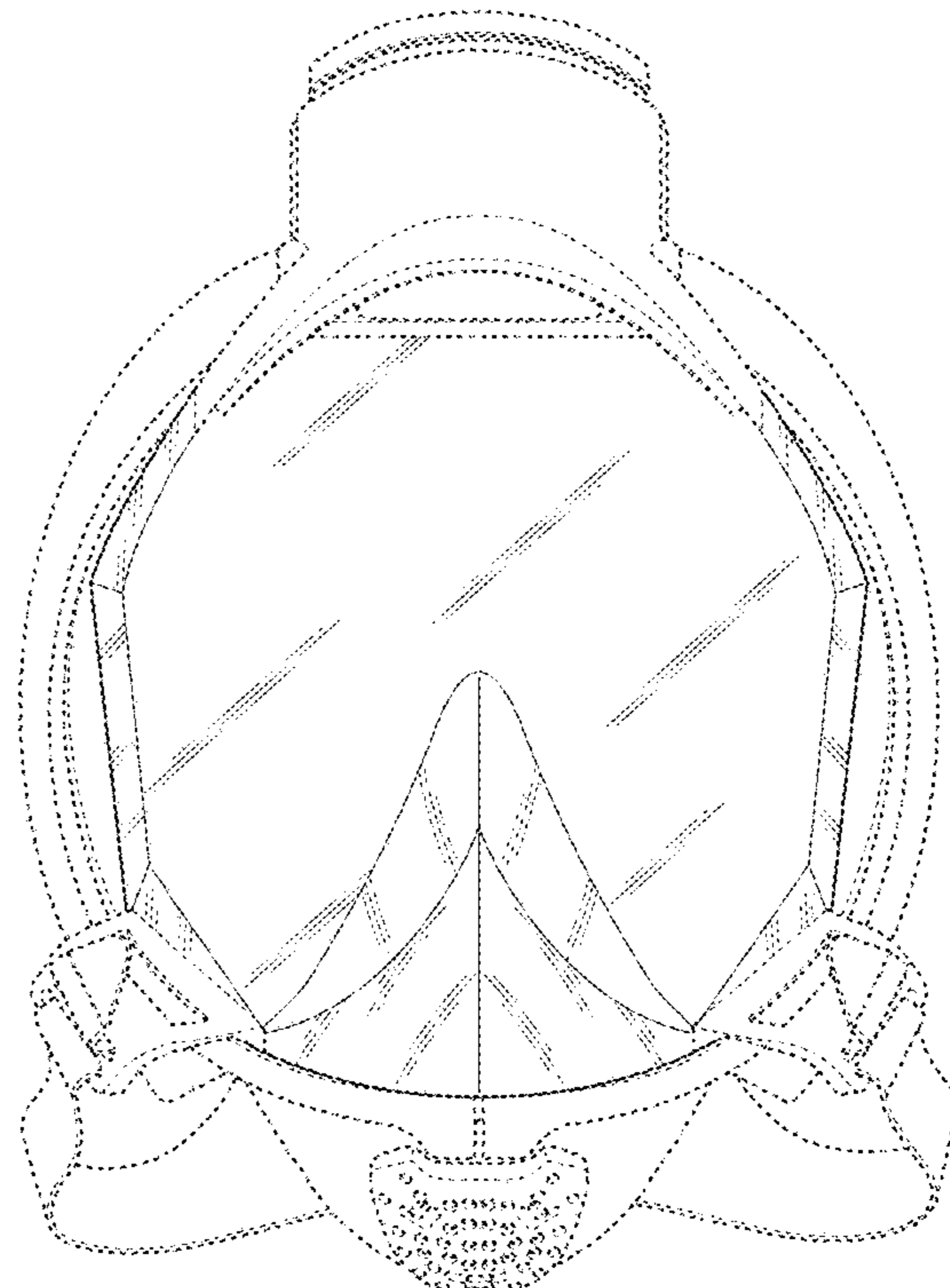
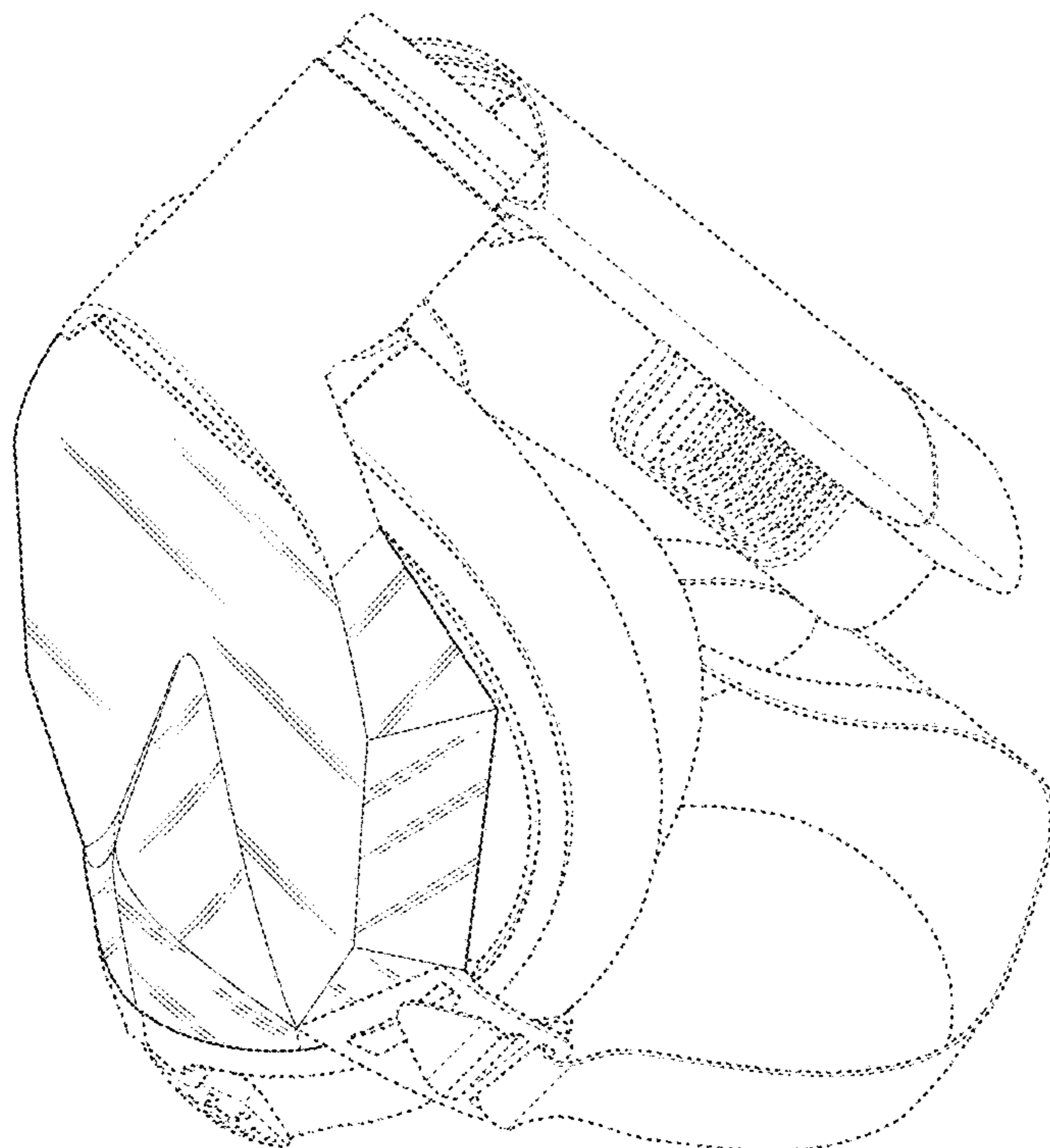
FIG. 5 is a rear view thereof;

FIG. 6 is a left side view thereof; and,

FIG. 7 is a right side view thereof.

The broken line showing of the snorkel mask depicts environmental structure and forms no part of the claimed design.

**1 Claim, 7 Drawing Sheets**



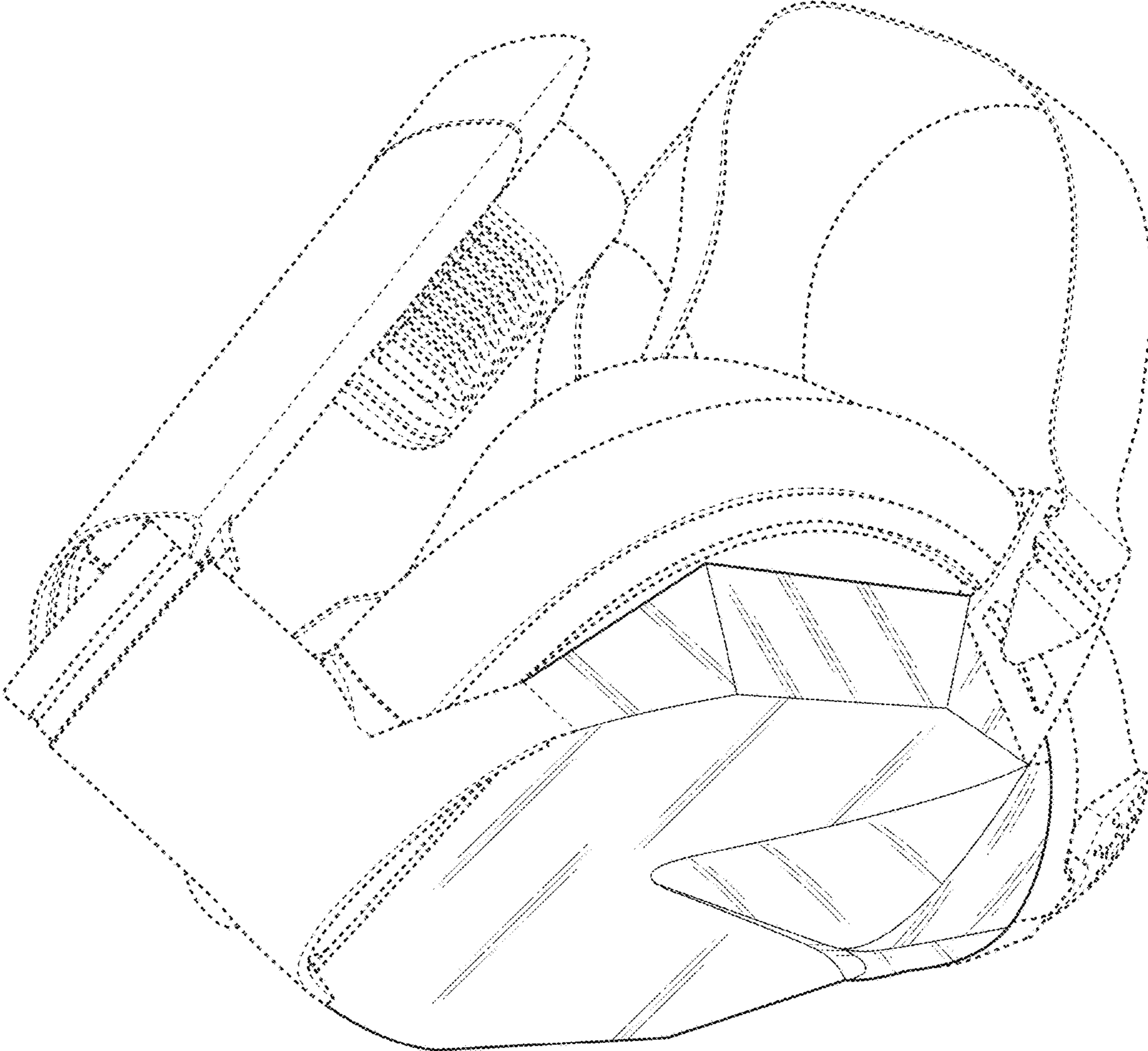


FIG. 1

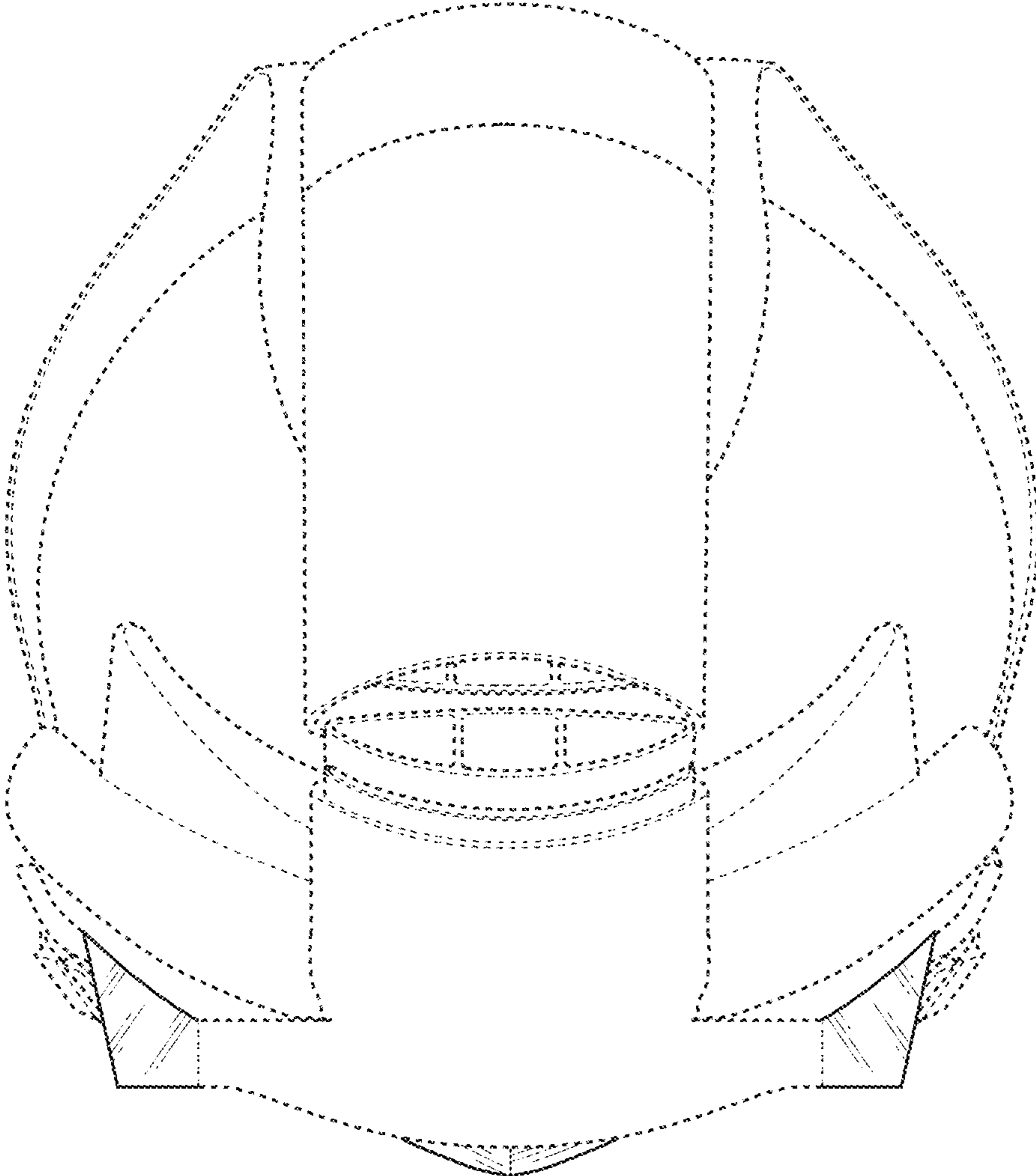


FIG. 2

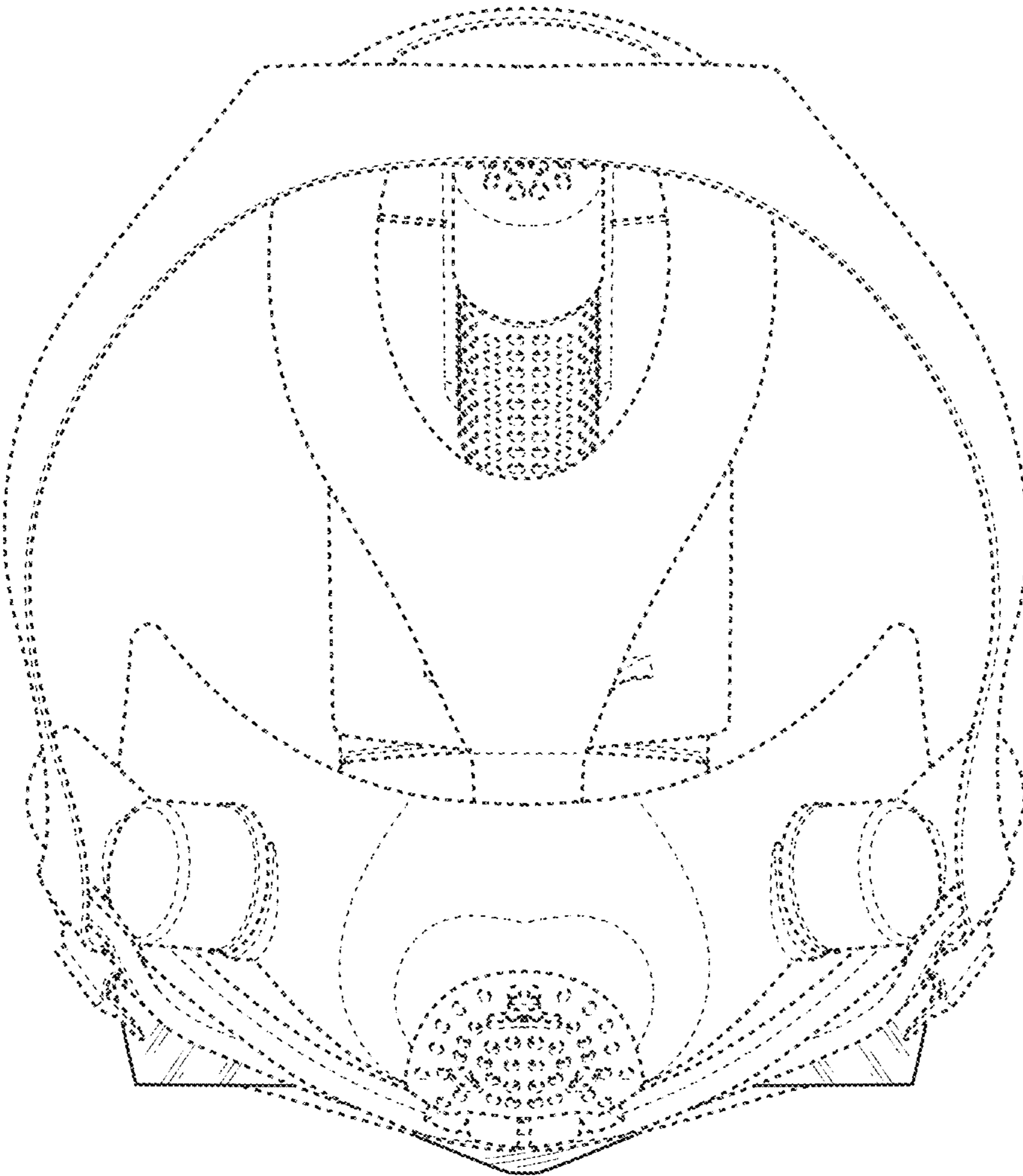


FIG. 3

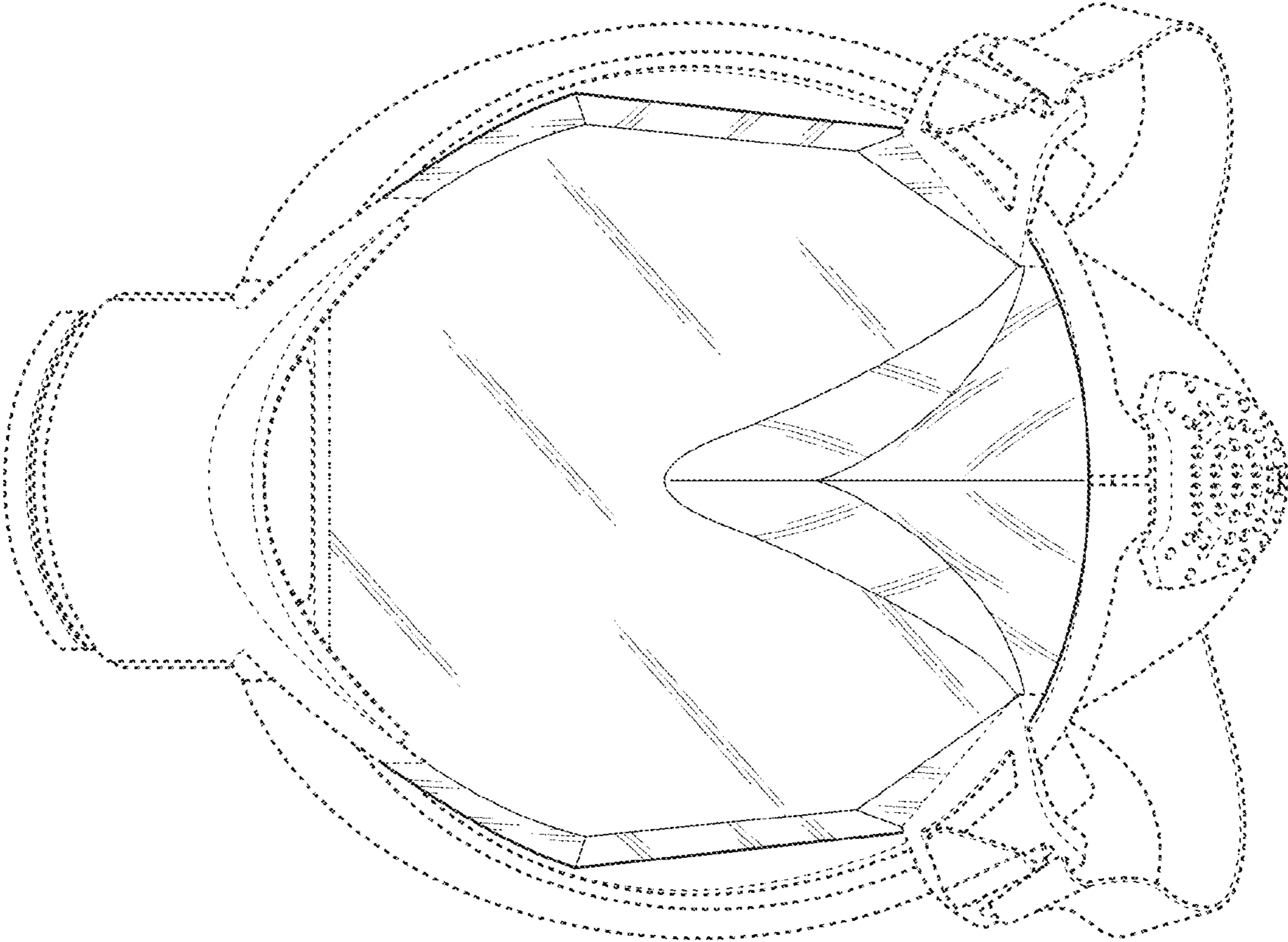


FIG. 4

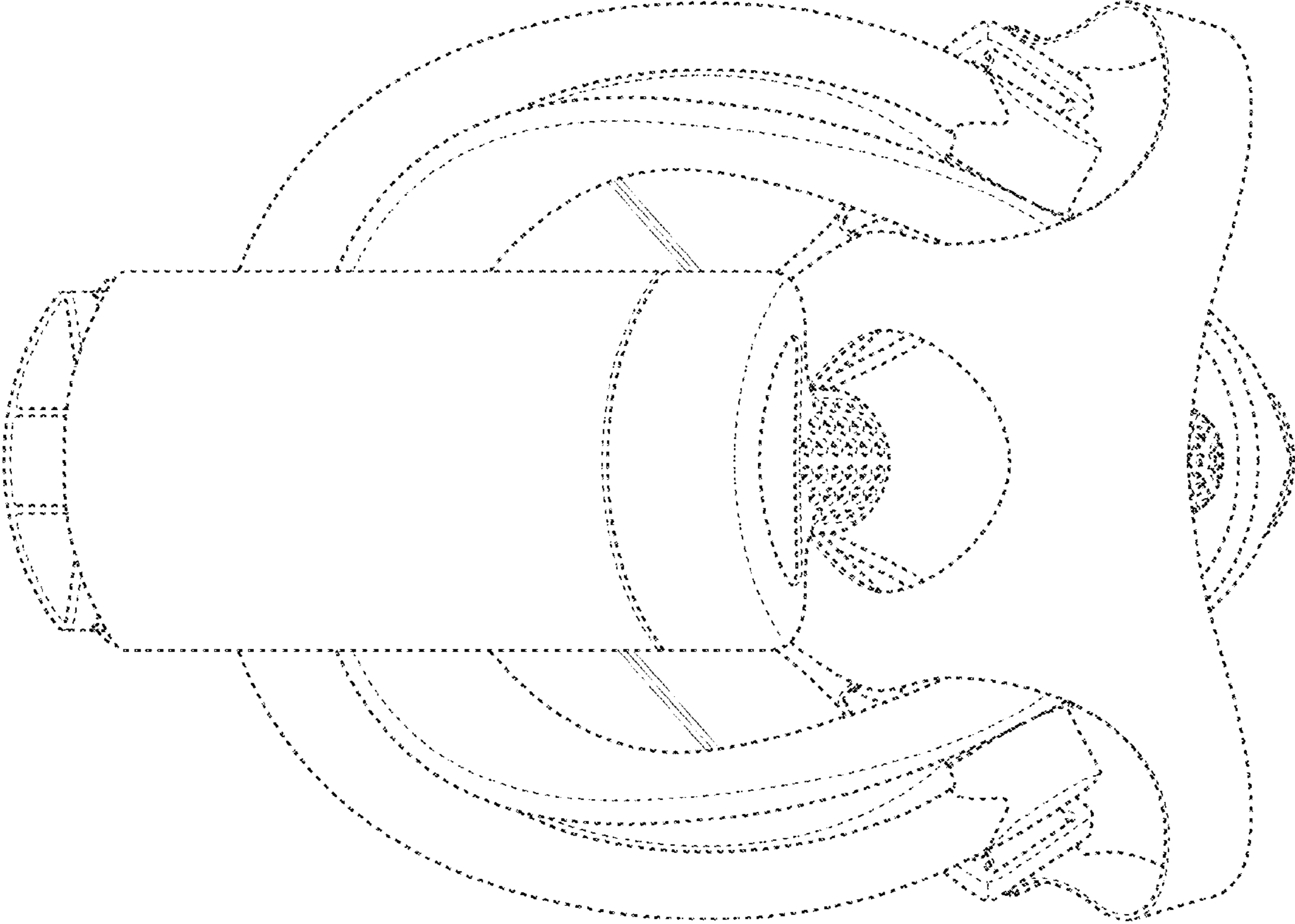


FIG. 5

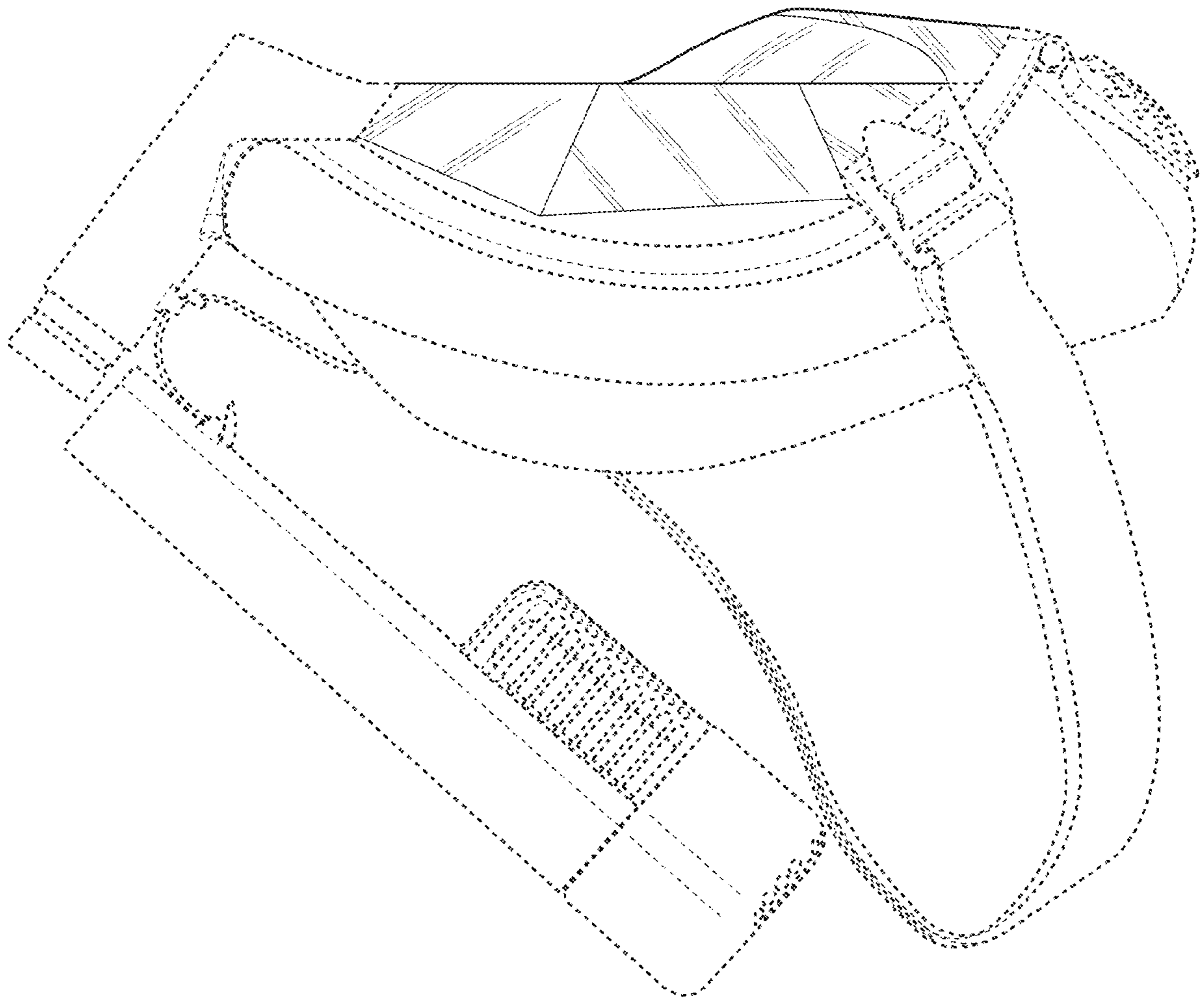


FIG. 6

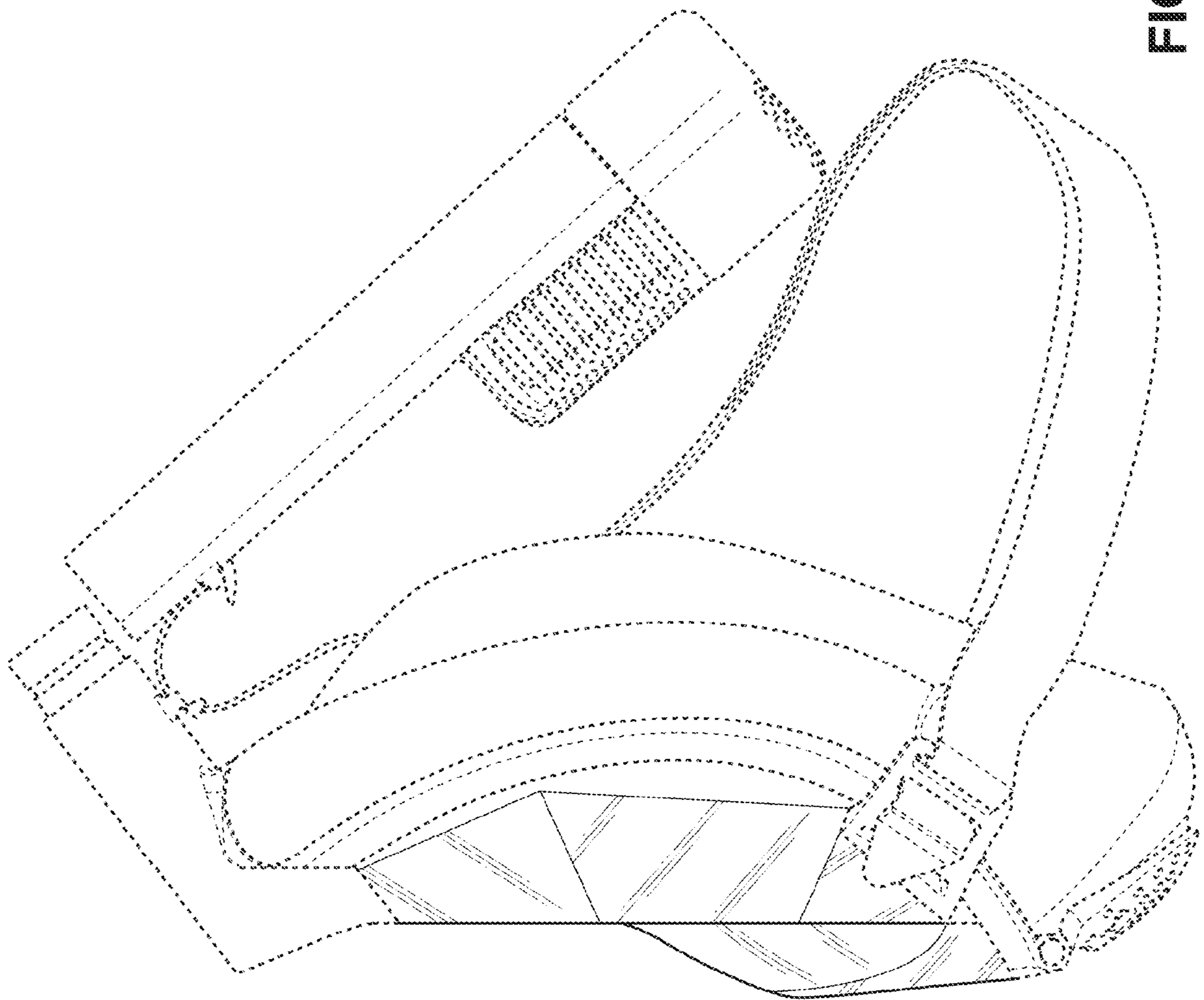


FIG. 7