



US00D881374S

(12) **United States Design Patent**
Schoettle

(10) **Patent No.:** **US D881,374 S**

(45) **Date of Patent:** **** Apr. 14, 2020**

(54) **FIREPLACE FRESH AIR MAKEUP TUBE**

(71) Applicant: **Steven J. Schoettle**, Saint Simons Island, GA (US)

(72) Inventor: **Steven J. Schoettle**, Saint Simons Island, GA (US)

(**) Term: **15 Years**

(21) Appl. No.: **29/639,376**

(22) Filed: **Mar. 6, 2018**

(51) **LOC (12) Cl.** **07-08**

(52) **U.S. Cl.**
USPC **D23/403**

(58) **Field of Classification Search**
USPC D23/386, 388, 390, 393, 398, 403, 421
CPC F24C 15/36
See application file for complete search history.

(56) **References Cited**

U.S. PATENT DOCUMENTS

| | | | | |
|-------------------|---------|----------------|-------|-------------|
| D174,230 S * | 3/1955 | Lewis, II | | D23/390 |
| D197,317 S * | 1/1964 | Sweeney et al. | | D23/390 |
| 3,211,207 A * | 10/1965 | Luft | | F23D 11/406 |
| | | | | 239/406 |
| D504,503 S * | 4/2005 | Thurman | | D23/393 |
| D811,576 S * | 2/2018 | Sevy | | D23/386 |
| D850,608 S * | 6/2019 | Garcia | | D23/386 |
| 2002/0102187 A1 * | 8/2002 | Bellenger | | A61L 9/035 |
| | | | | 422/126 |
| 2019/0107289 A1 * | 4/2019 | Michelson | | F24C 15/36 |

* cited by examiner

Primary Examiner — Karen S Acker

Assistant Examiner — Steven B Reinholdt, Jr.

(74) *Attorney, Agent, or Firm* — Jonathan R. Smith; Jonathon Rigdon Smith, J.D. PC

(57) **CLAIM**

I claim the ornamental design for a fireplace fresh air makeup tube, as shown and described.

DESCRIPTION

FIG. 1 is a front elevation view of a fireplace fresh air makeup tube in the closed position, the rear view being a mirror image thereto;

FIG. 2 is the right side elevation view thereof;

FIG. 3 is the left side elevation view thereof;

FIG. 4 is a top plan views thereof;

FIG. 5 is a bottom plan view thereof;

FIG. 6 is a top and side oblique view thereof;

FIG. 7 is a bottom and side oblique view thereof;

FIG. 8 is a front elevation view of the fireplace fresh air makeup tube in the open position, the rear view being a mirror image thereto;

FIG. 9 is a right elevation view thereof;

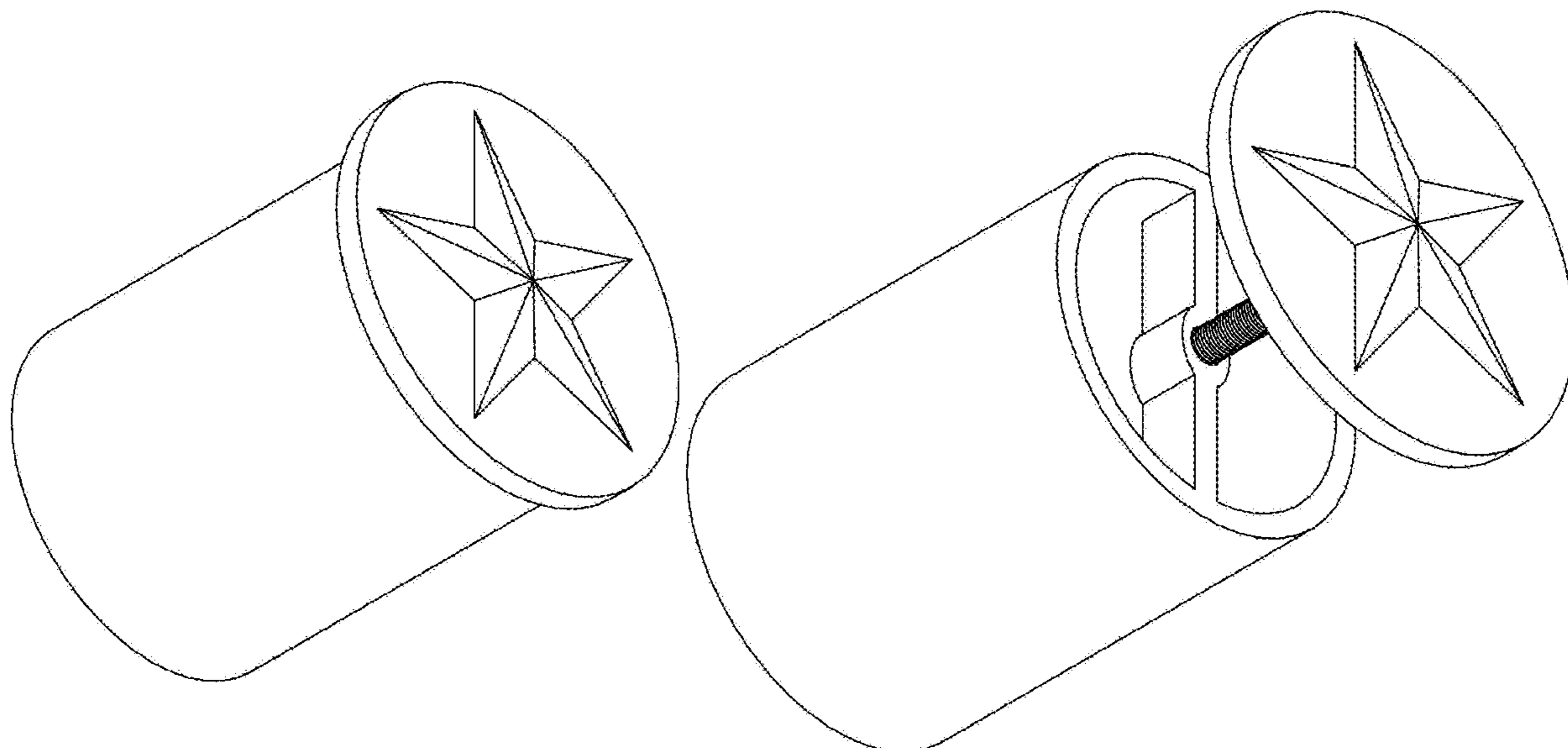
FIG. 10 is a left side elevation view thereof;

FIG. 11 a top and side oblique view thereof; and,

FIG. 12 is a bottom and side oblique view thereof.

The intended use of the invention is to provide a decorative air makeup tube in a fireplace in which the top is visible within the fireplace.

1 Claim, 12 Drawing Sheets



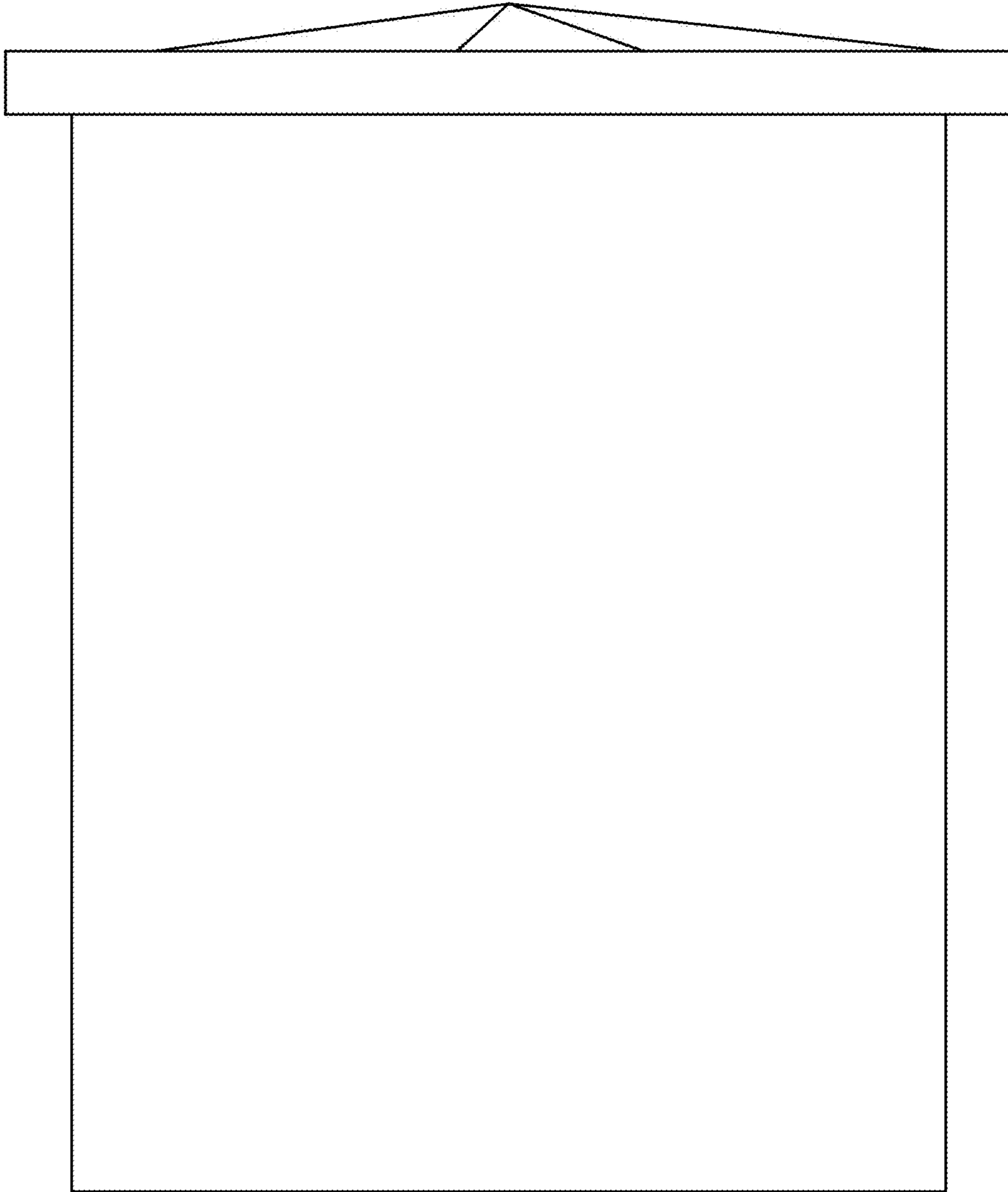


FIG. 1

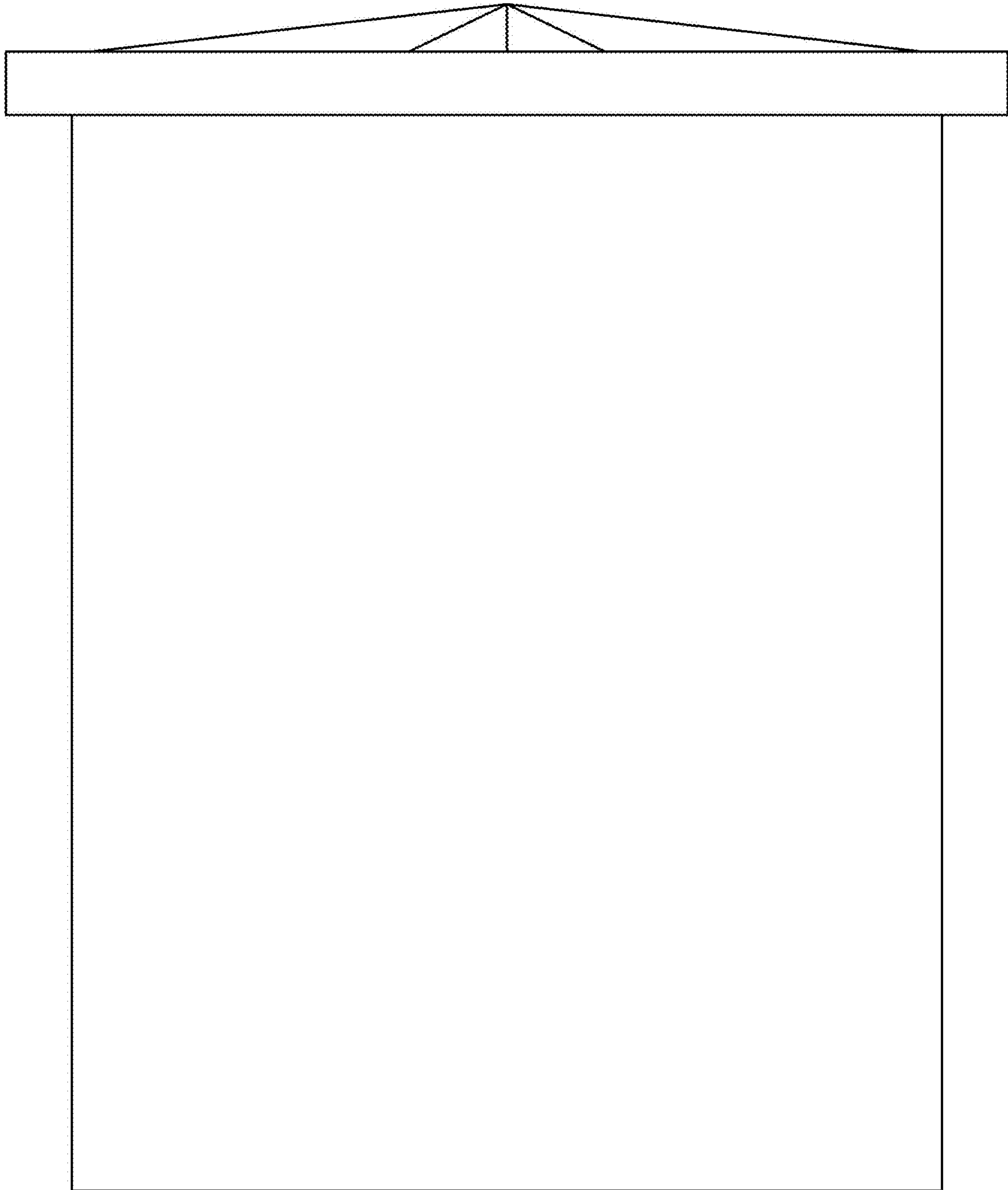


FIG. 2

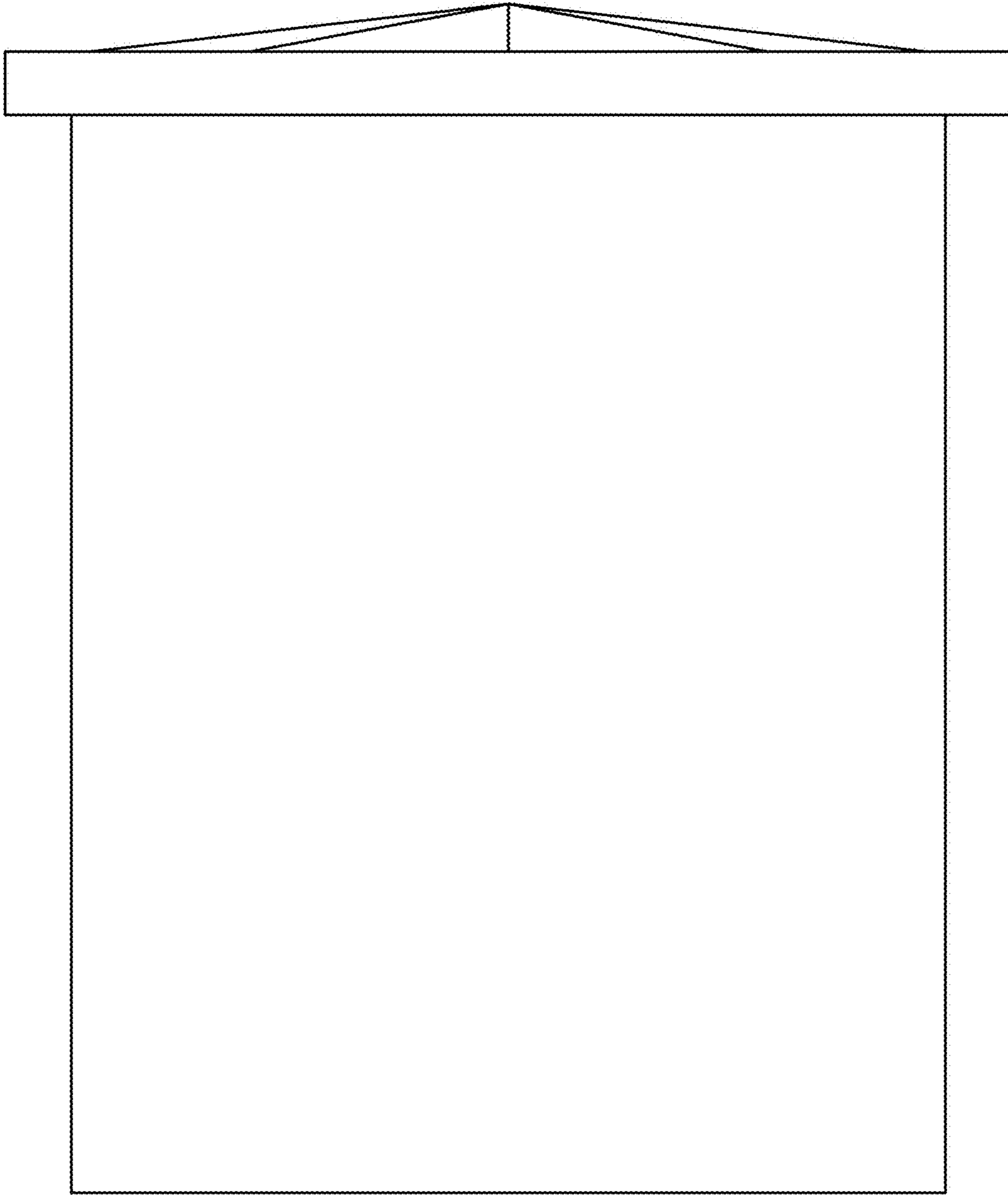


FIG. 3

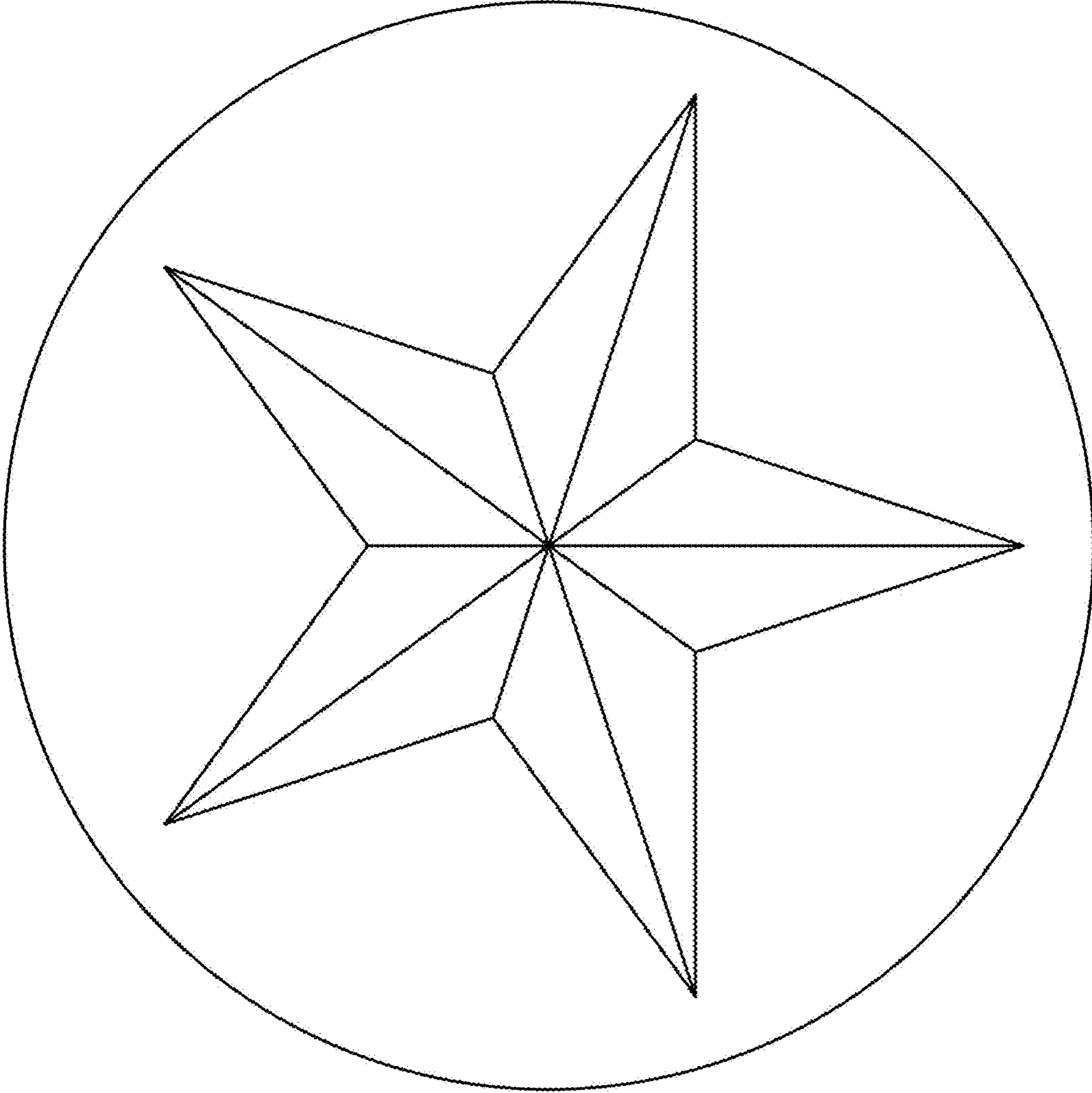


FIG. 4

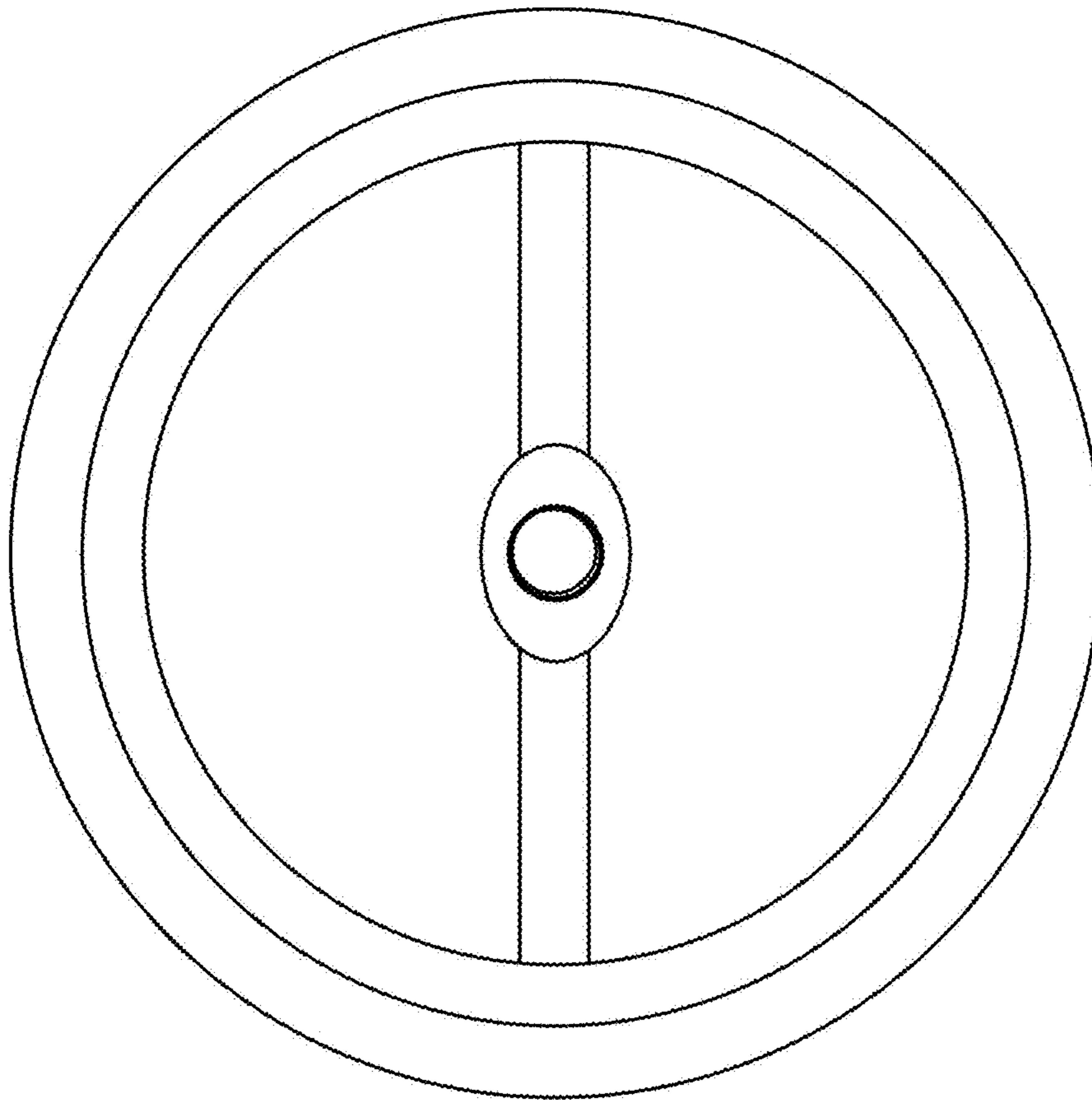


FIG. 5

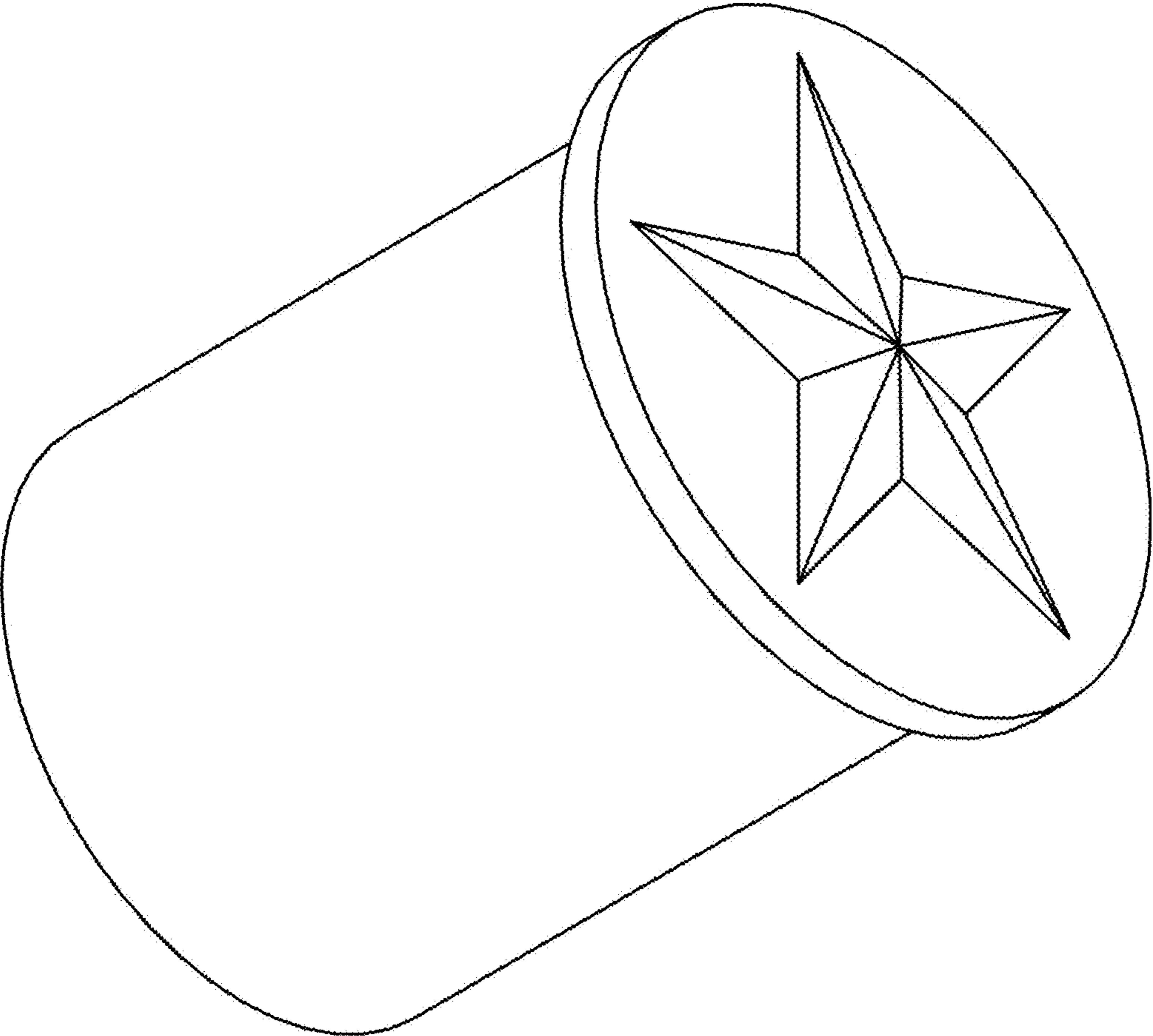


FIG. 6

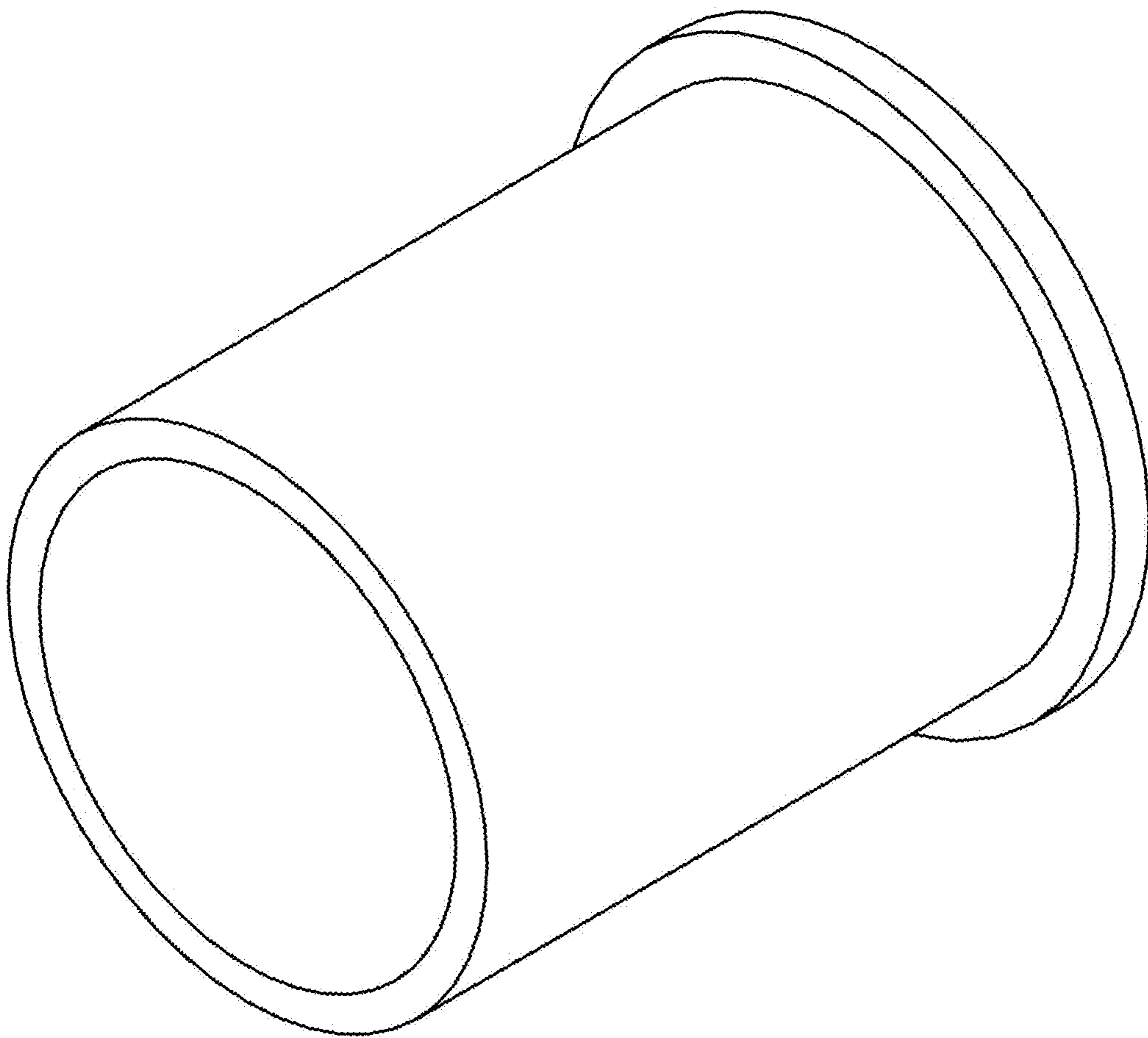


FIG. 7

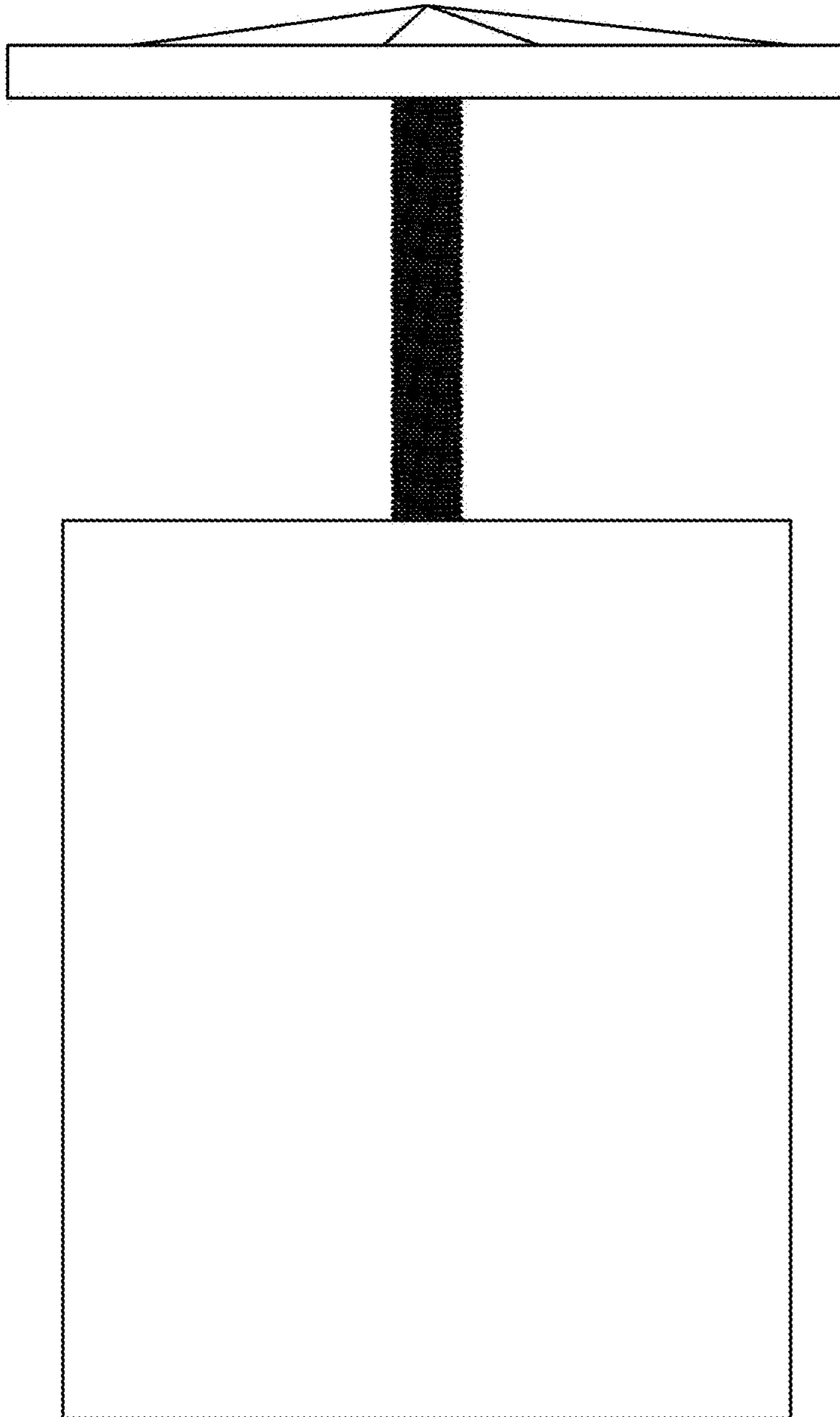


FIG. 8

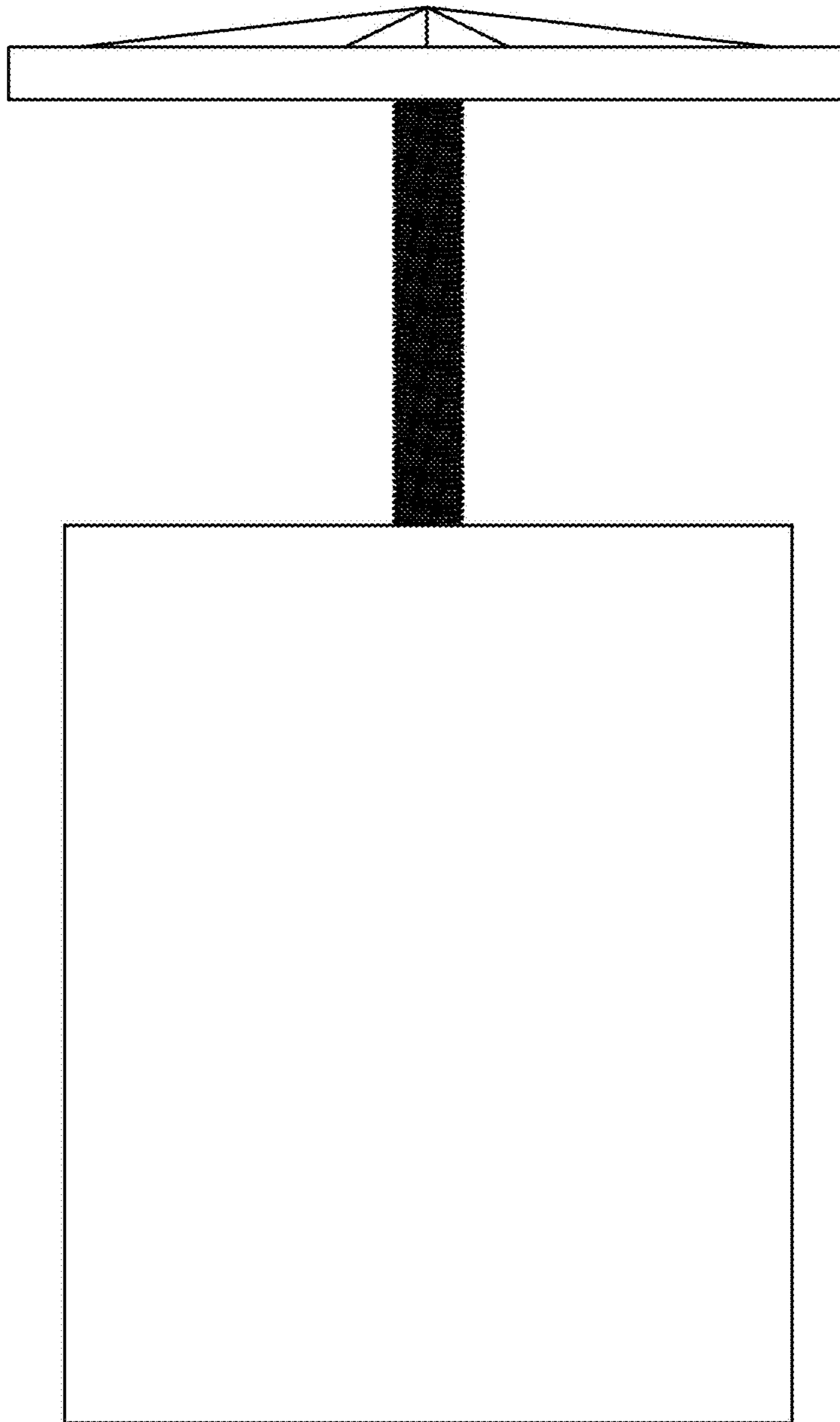


FIG. 9

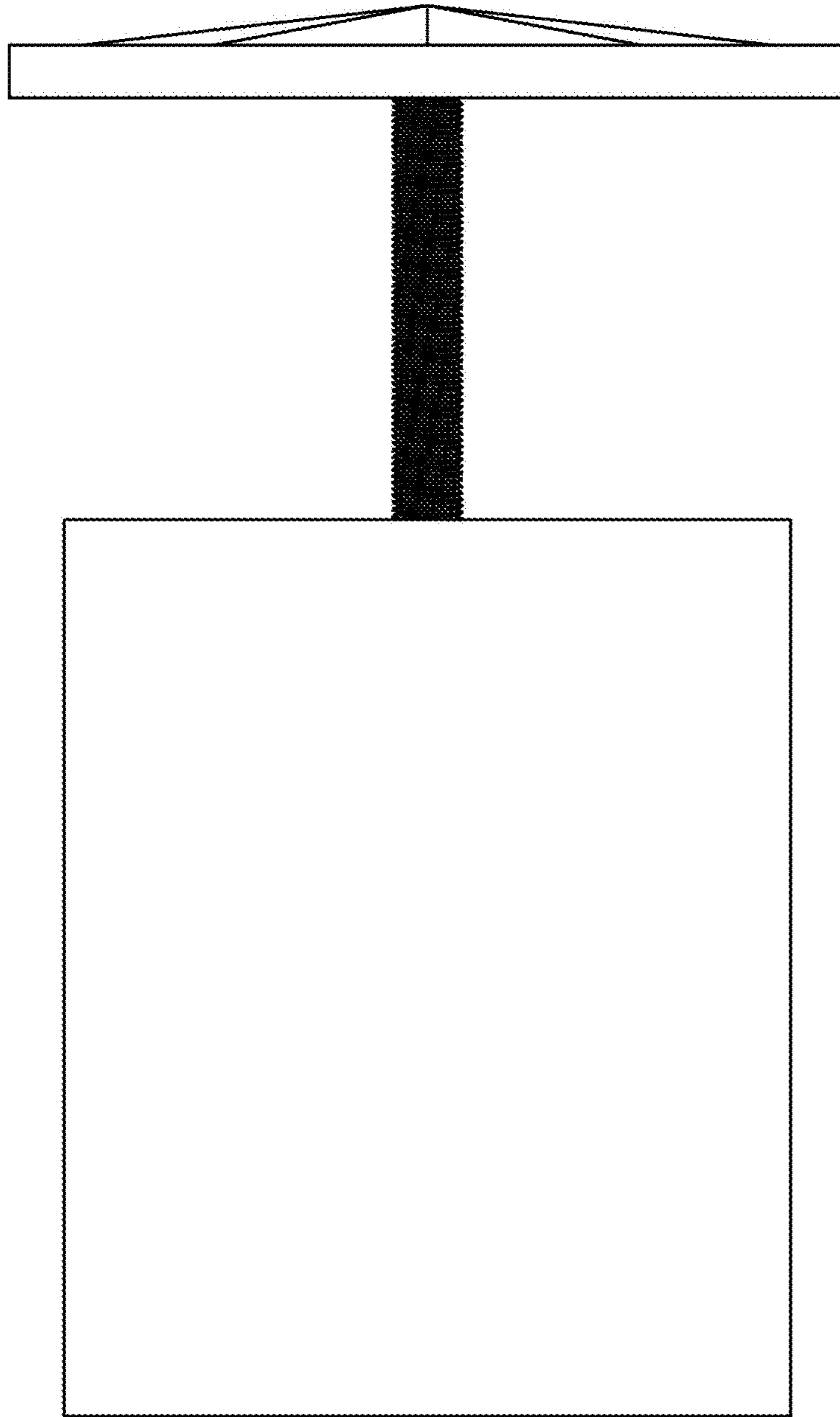


FIG. 10

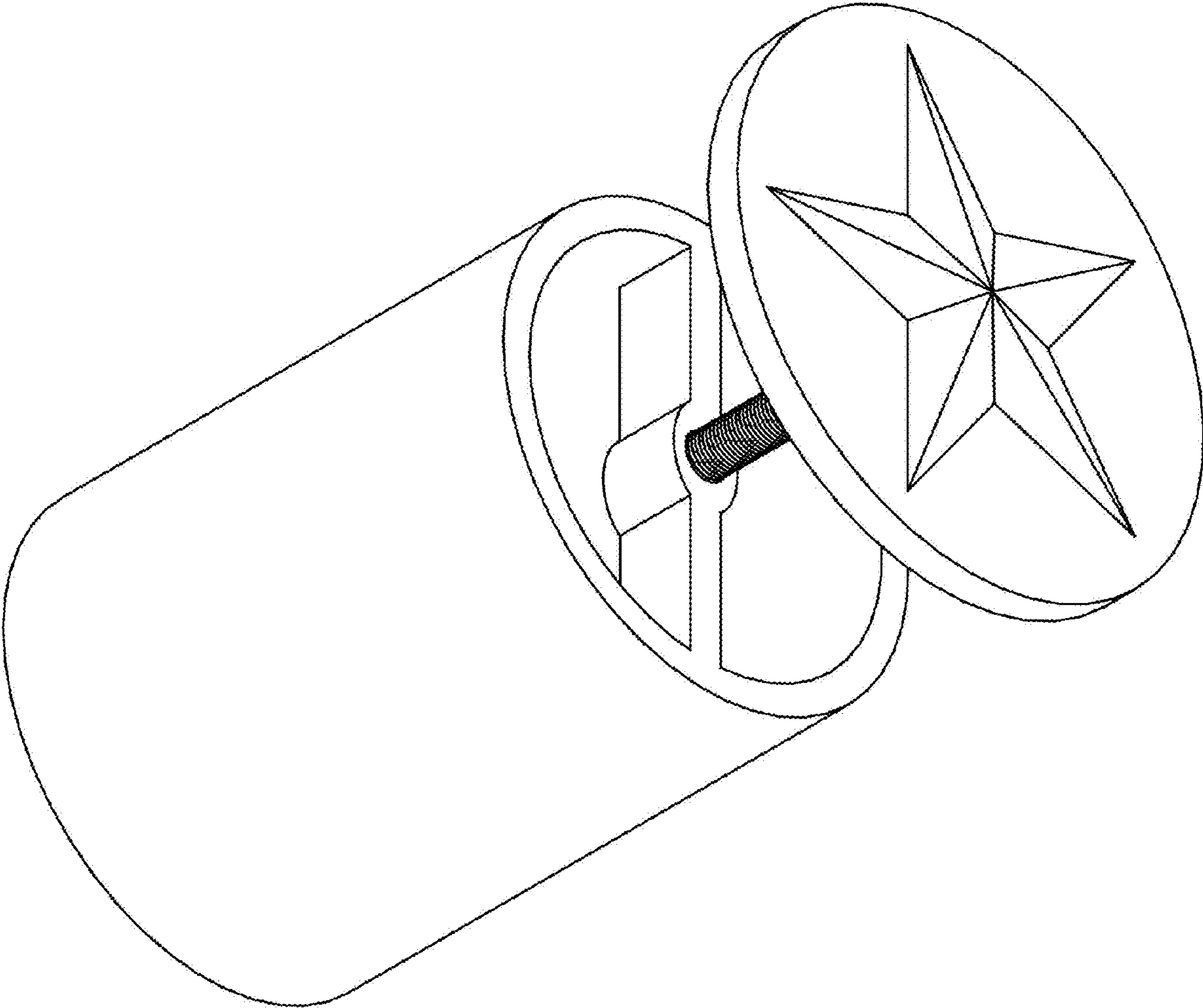


FIG. 11

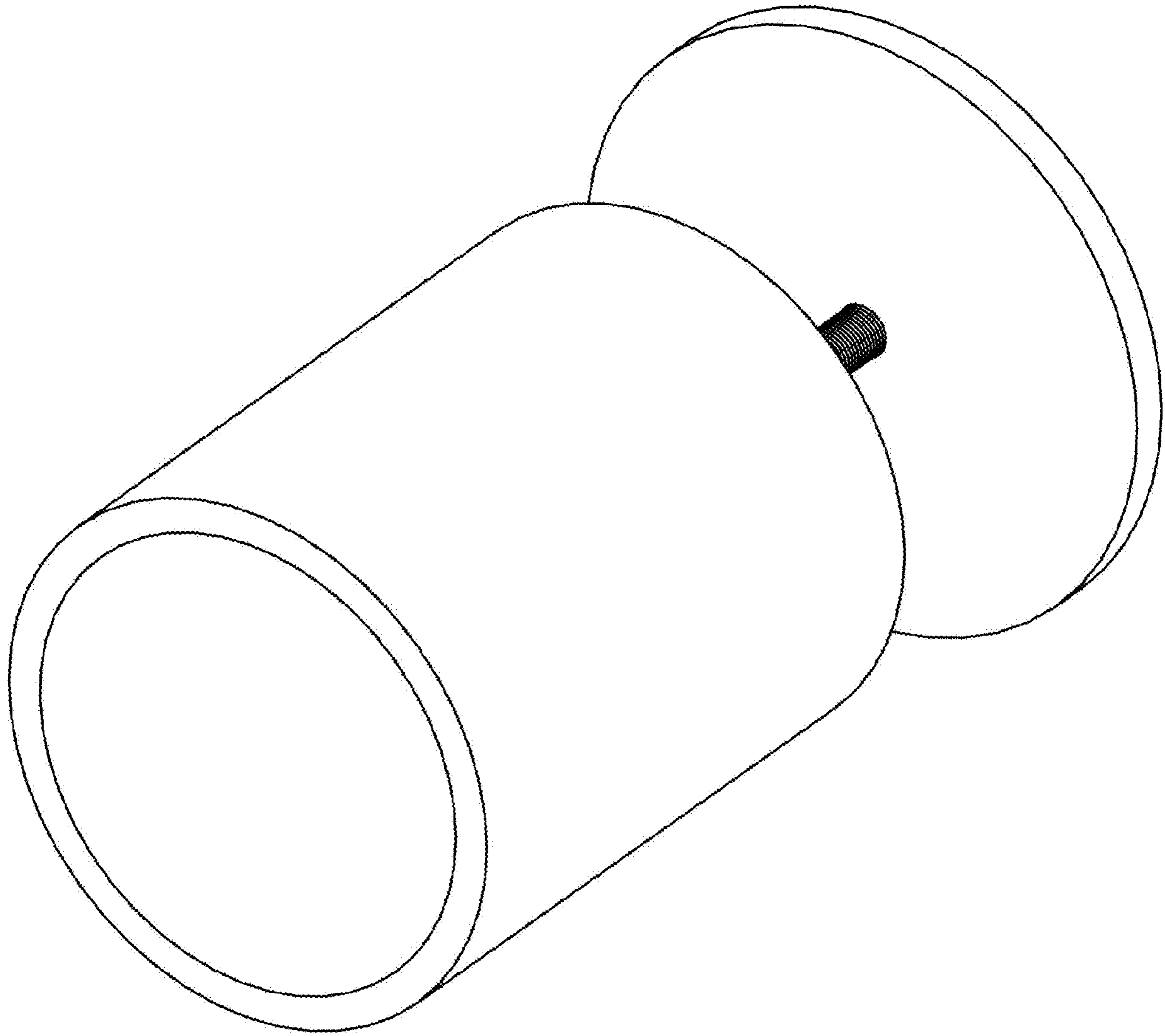


FIG. 12