



US00D881371S

(12) **United States Design Patent**  
**Hollinger**

(10) **Patent No.:** **US D881,371 S**  
(45) **Date of Patent:** **\*\* Apr. 14, 2020**

- (54) **FOLDING STAND FAN**
- (71) Applicant: **E. MISHAN & SONS, INC.**, New York, NY (US)
- (72) Inventor: **Fred Hollinger**, Monroe Township, NJ (US)
- (73) Assignee: **E. MISHAN & SONS, INC.**, New York, NY (US)

- 6,206,530 B1 3/2001 Eberts
- D442,371 S 5/2001 Eberts
- 6,454,539 B1 9/2002 Santos
- D470,665 S 2/2003 Harris et al.
- 6,932,579 B2 8/2005 Cichetti, Sr. et al.
- D510,994 S 10/2005 Indio Da Costa
- 7,017,871 B2 3/2006 Chen
- D520,132 S 5/2006 Jones
- D524,469 S 7/2006 Pitot et al.
- D549,968 S 9/2007 Pitot et al.
- 7,316,540 B2 1/2008 Russak et al.

(Continued)

(\*\*) Term: **15 Years**

(21) Appl. No.: **29/716,883**

(22) Filed: **Dec. 12, 2019**

(51) **LOC (12) Cl.** ..... **23-04**

(52) **U.S. Cl.**  
USPC ..... **D23/382**

(58) **Field of Classification Search**  
USPC ..... D23/332, 333, 335-337, 342, 351, 364,  
D23/370, 377-379, 381-383, 411-414;  
D26/59; D15/5; D32/15  
CPC ..... F04D 25/088; F04D 29/388; F04D 29/34;  
F04D 25/08; F21V 33/0096  
See application file for complete search history.

(56) **References Cited**

**U.S. PATENT DOCUMENTS**

- 433,708 A 8/1890 Wiederer
- 1,248,284 A 11/1917 Dickenson
- 2,100,923 A 11/1937 Schmidt et al.
- D291,352 S 8/1987 Kouno et al.
- 4,732,539 A 3/1988 Shin-Chin
- D307,470 S 4/1990 Utsuki et al.
- 4,927,120 A 5/1990 Wang
- 5,281,103 A 1/1994 Lin
- 5,411,373 A 5/1995 Chiu et al.
- 5,468,124 A 11/1995 Chen
- 5,695,271 A 12/1997 Zeller
- D424,681 S 5/2000 Lozzio et al.
- 6,079,949 A 6/2000 Litvin
- 6,139,270 A 10/2000 Liao

**OTHER PUBLICATIONS**

[https://www.amazon.com/Circulator-Portable-Operated-Adjustable-Pedestal/dp/B07QCWDQPW/ref=cm\\_cr\\_ar\\_p\\_d\\_product\\_top?ie=UTF8](https://www.amazon.com/Circulator-Portable-Operated-Adjustable-Pedestal/dp/B07QCWDQPW/ref=cm_cr_ar_p_d_product_top?ie=UTF8); reviewed on Amazon Jul. 1, 2019, UN Unitedtime Desk and table fan, 2019.\*

(Continued)

*Primary Examiner* — Janice Hallmark  
(74) *Attorney, Agent, or Firm* — Notaro, Michalos & Zaccaria P.C.

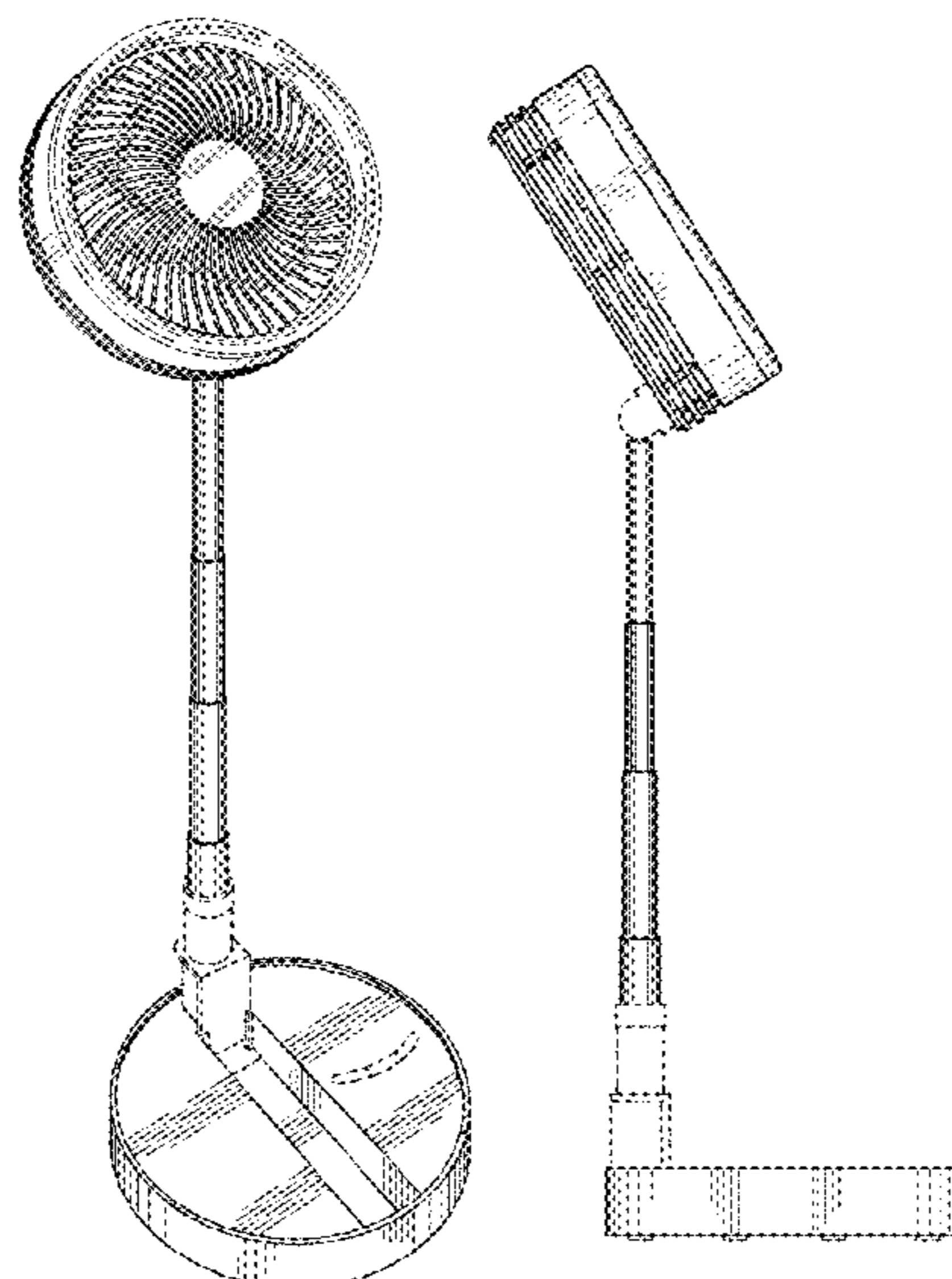
(57) **CLAIM**

The ornamental design for a folding stand fan, as shown and described.

**DESCRIPTION**

FIG. 1 is a front, top, right perspective view of a folding stand fan showing my design therefor; FIG. 2 is a top plan view thereof; FIG. 3 is a bottom plan view thereof; FIG. 4 is a front elevational view thereof; FIG. 5 is a rear elevational view thereof; FIG. 6 is a side elevational view thereof; and, FIG. 7 is a opposite side elevational view thereof. Throughout the design, the broken lines are environment and form no part of the design.

**1 Claim, 7 Drawing Sheets**



(56)

**References Cited**

U.S. PATENT DOCUMENTS

D674,476 S \* 1/2013 Junkel ..... D23/370  
 D674,746 S 1/2013 Junkel et al.  
 D684,249 S 6/2013 Herbst  
 8,734,109 B2 5/2014 He et al.  
 8,894,377 B2 11/2014 Greenberg  
 D721,431 S 1/2015 Herbst  
 D727,488 S 4/2015 Hsu  
 9,677,703 B2 6/2017 He et al.  
 D801,060 S 10/2017 Hollinger  
 D818,109 S \* 5/2018 Junkel ..... D23/382  
 D824,012 S 7/2018 Xu  
 10,016,045 B1 7/2018 Hollinger  
 D825,048 S 8/2018 Breit et al.  
 D827,121 S 8/2018 Wang et al.  
 D837,963 S 1/2019 Xu  
 10,184,479 B2 1/2019 Xu

D841,796 S \* 2/2019 Freeland ..... D23/382  
 D855,171 S 7/2019 Xu  
 10,436,206 B2 \* 10/2019 Freeland ..... F04D 29/601  
 2003/0059307 A1 3/2003 Moreno et al.  
 2003/0231958 A1 12/2003 Murray, Jr. et al.  
 2005/0128698 A1 6/2005 Huang  
 2005/0204578 A1 9/2005 Taylor  
 2008/0069694 A1 3/2008 Hernandez et al.  
 2013/0026333 A1 1/2013 Wu  
 2018/0142845 A1 5/2018 Lee  
 2019/0055951 A1 2/2019 Jacobs  
 2019/0101127 A1 4/2019 Xing et al.  
 2019/0162196 A1 5/2019 Ahuja

OTHER PUBLICATIONS

[https://www.amazon.com/dp/B07VCJMC9Z/ref=cm\\_sw\\_r\\_cp\\_apai\\_luTIDbF3WCBVD](https://www.amazon.com/dp/B07VCJMC9Z/ref=cm_sw_r_cp_apai_luTIDbF3WCBVD) retrieved by applicant Sep. 25, 2019.

\* cited by examiner

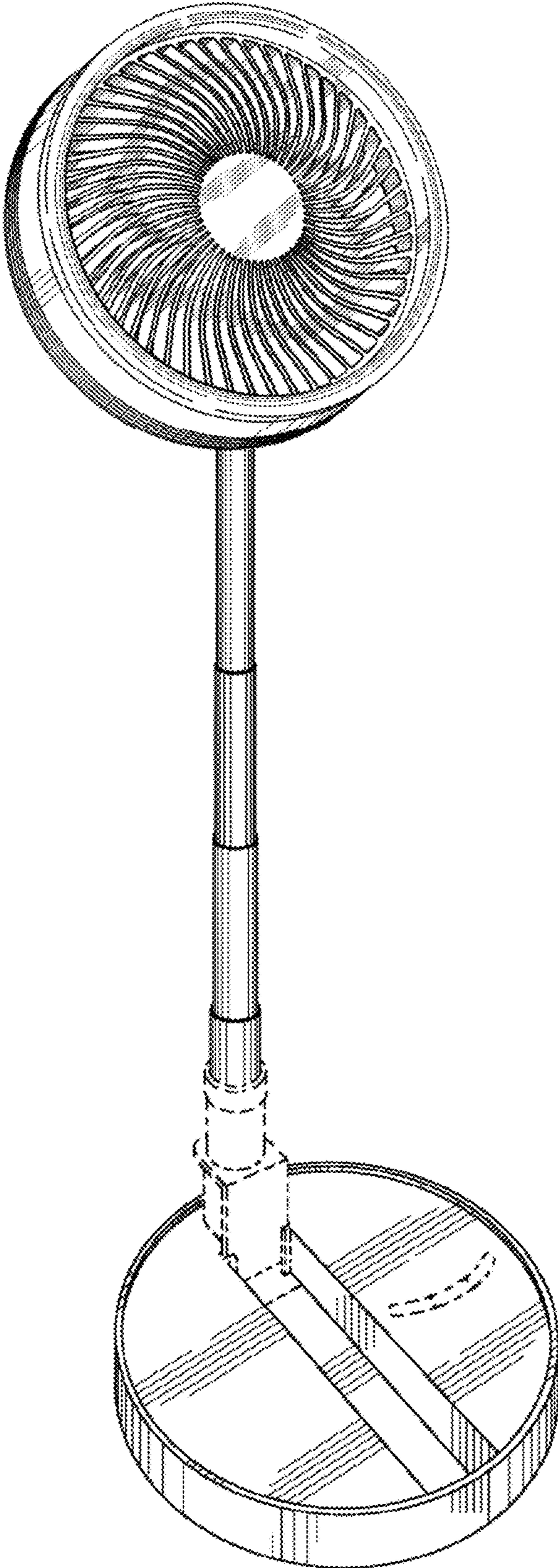


Fig. 1



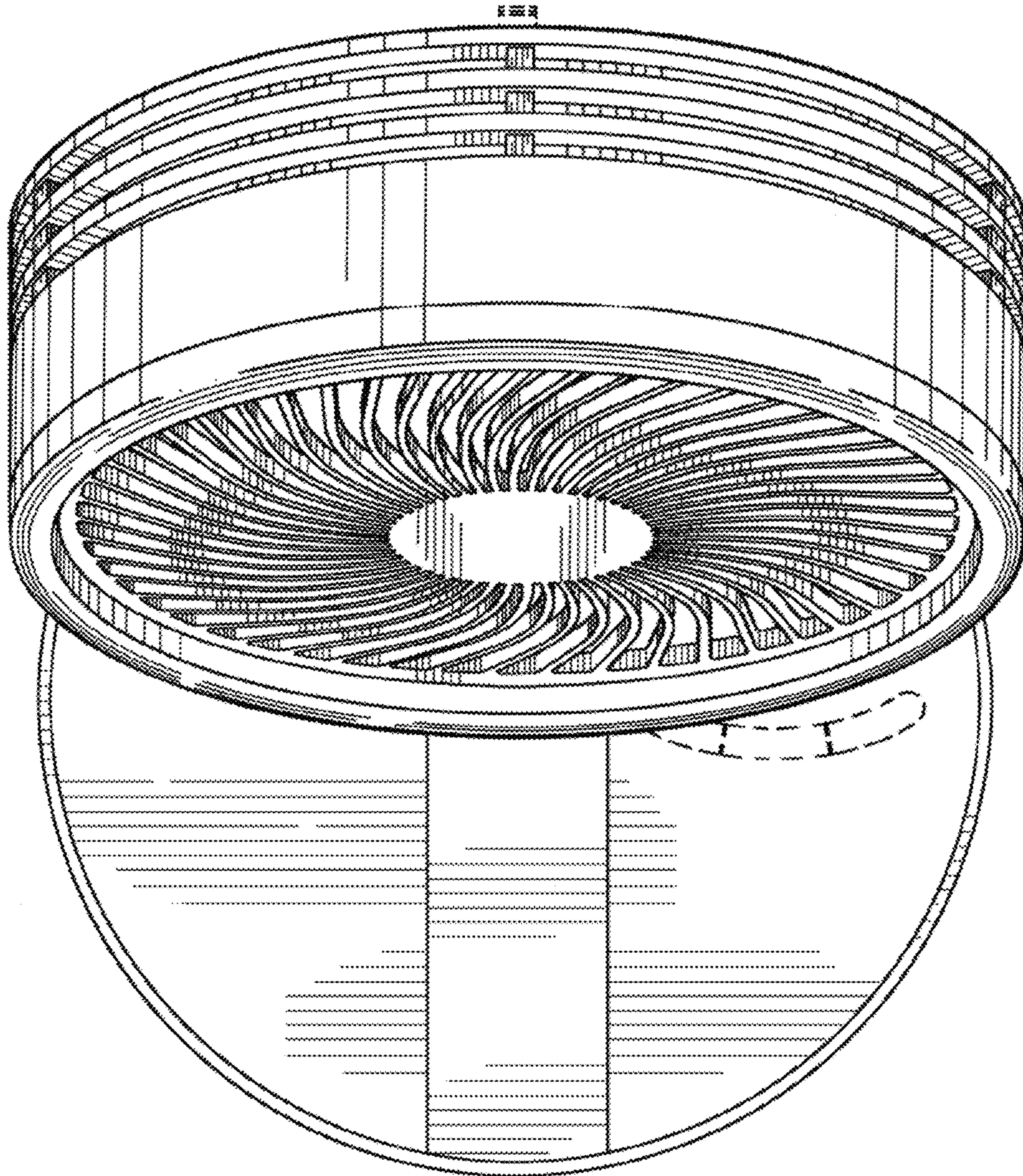


Fig. 2



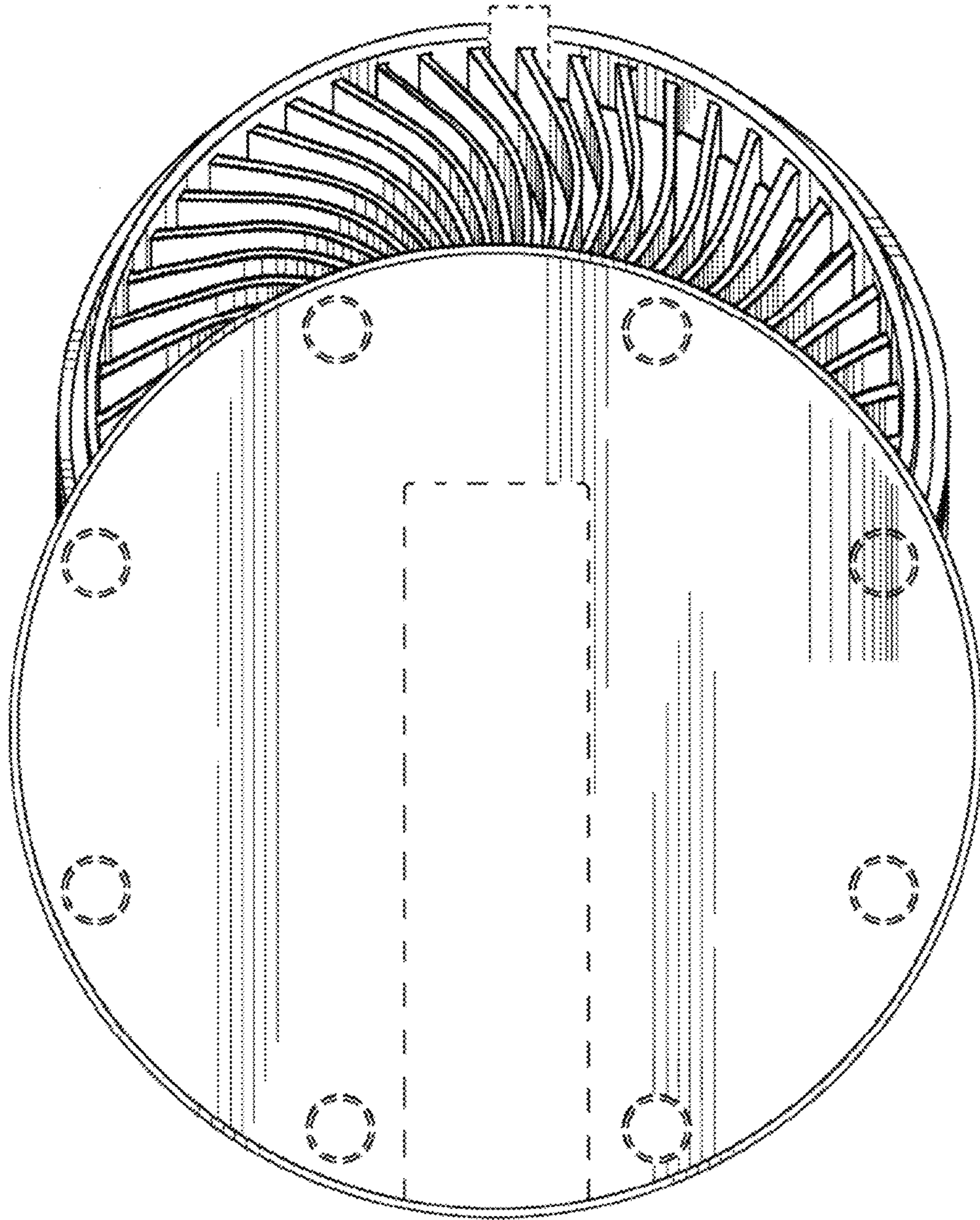


Fig. 3

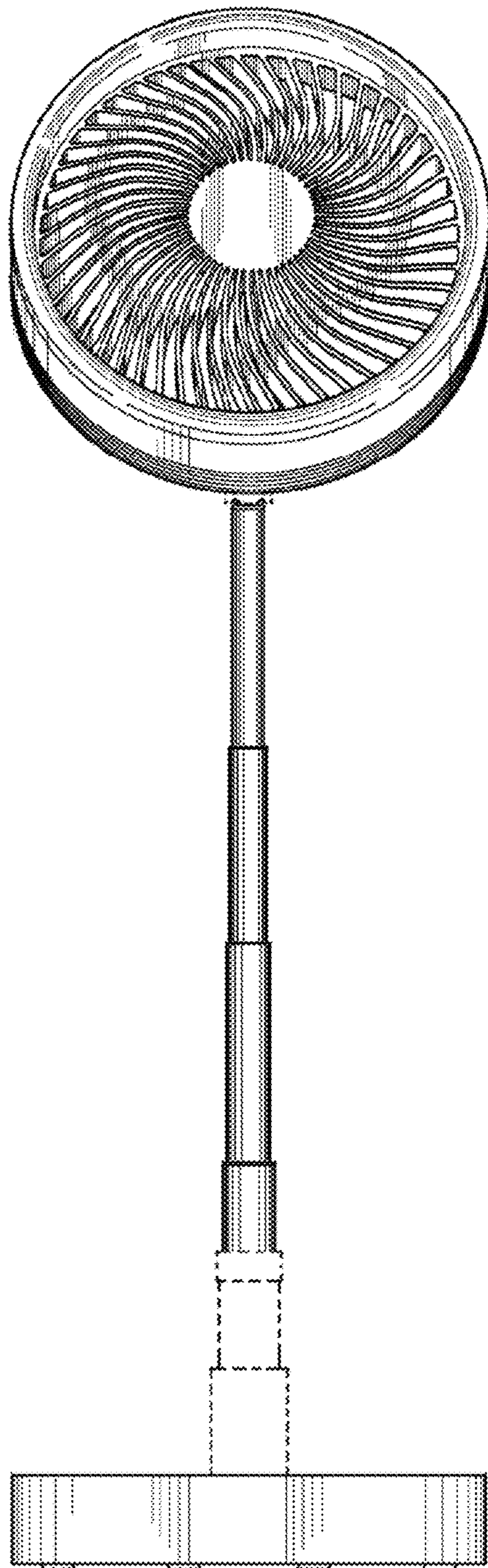


Fig. 4



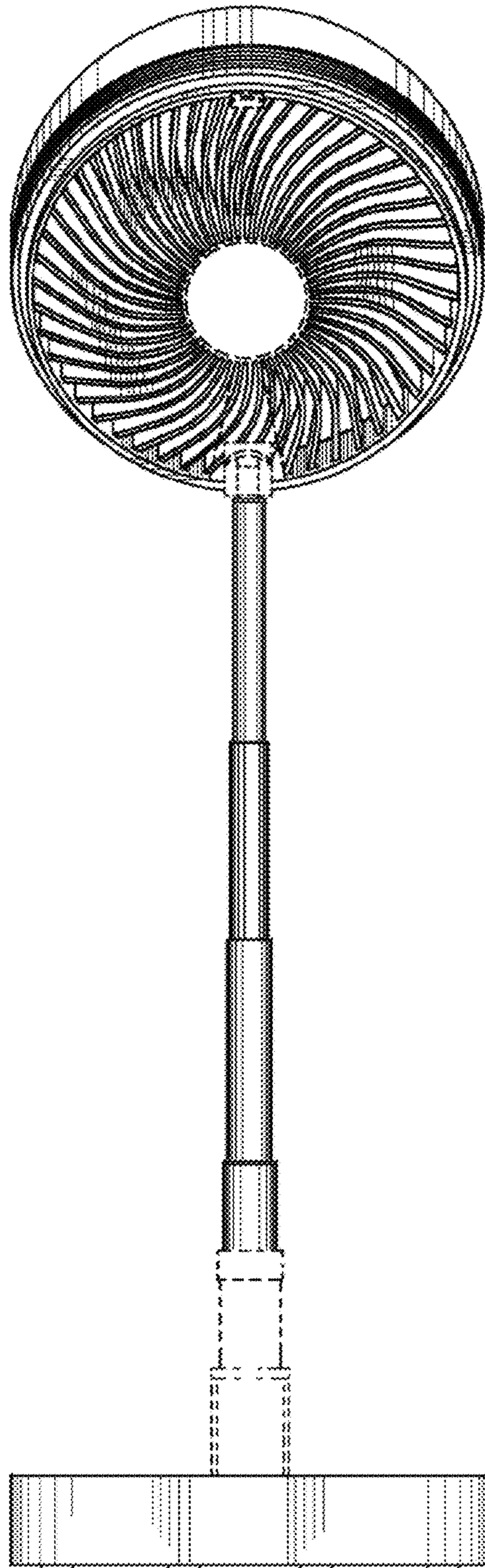


Fig. 5

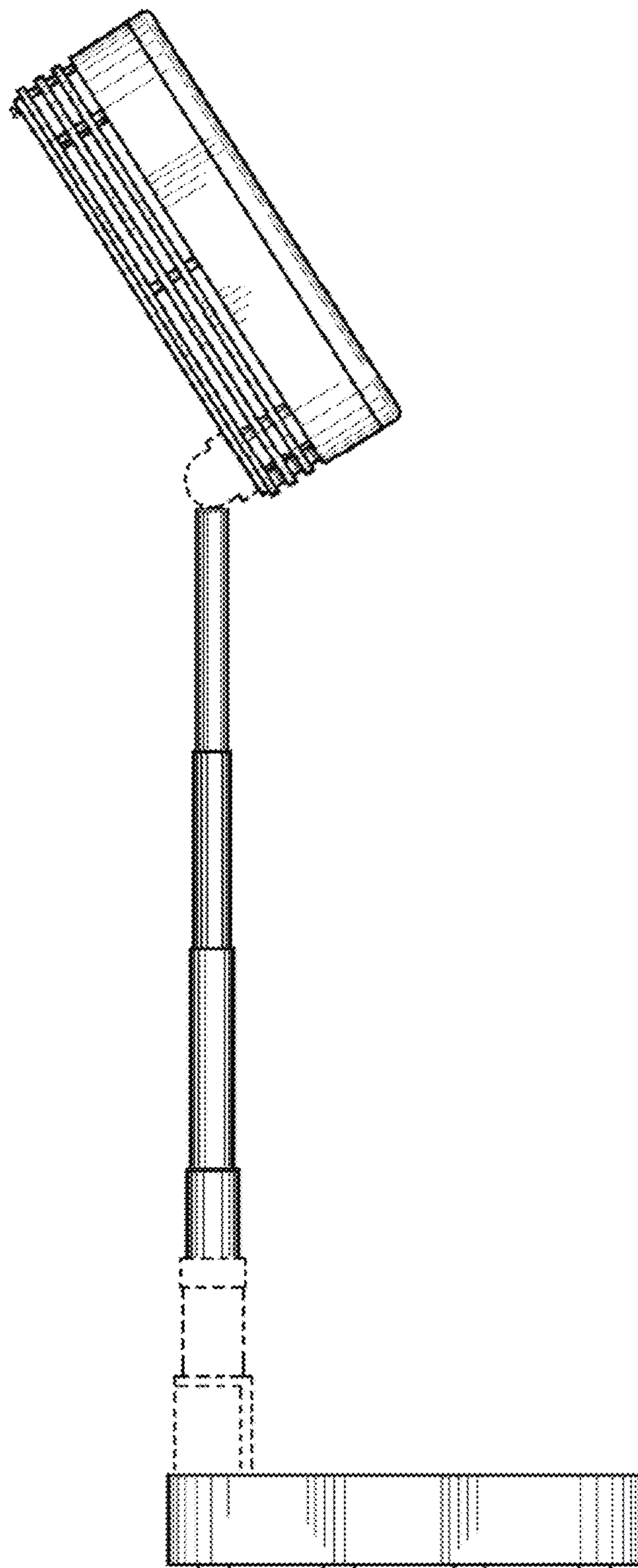


Fig. 6



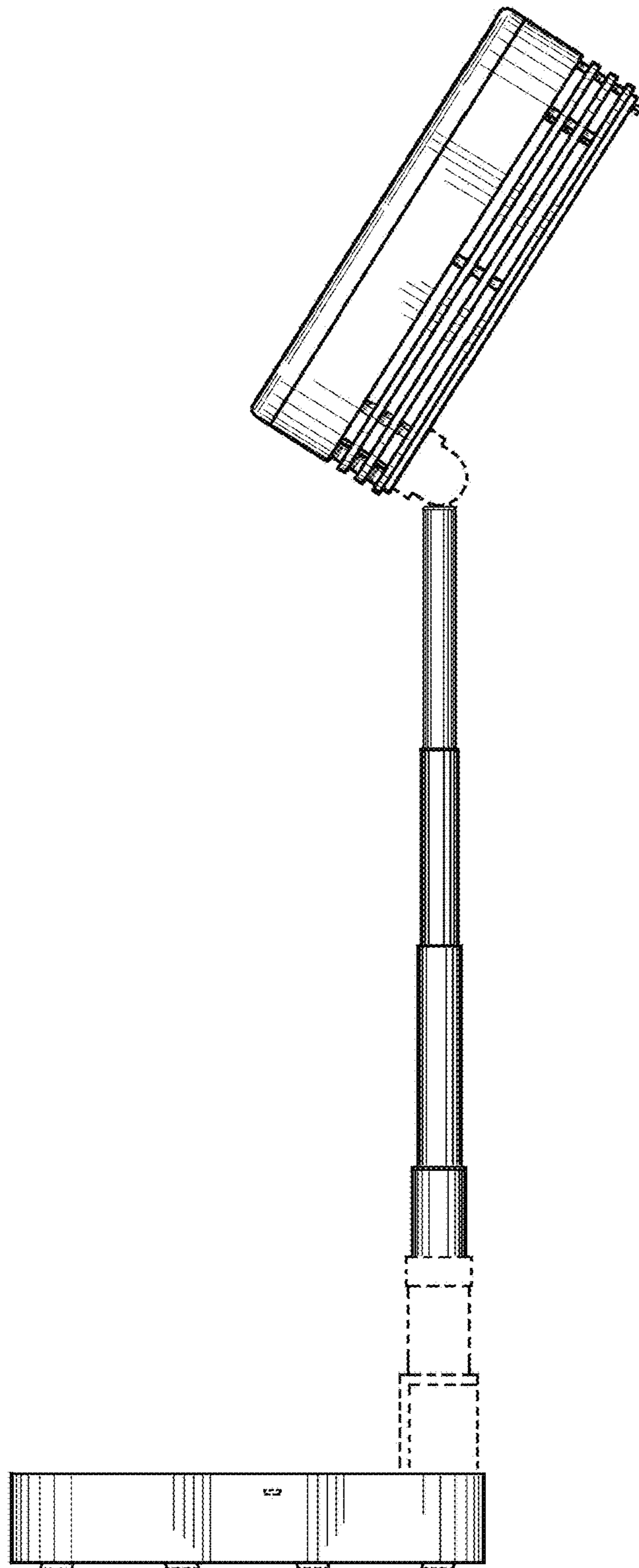


Fig. 7