



US00D881370S

(12) **United States Design Patent**
Gajewski

(10) **Patent No.:** **US D881,370 S**

(45) **Date of Patent:** **** Apr. 14, 2020**

(54) **CEILING FAN**

(71) Applicant: **Kichler Lighting LLC**, Cleveland, OH (US)

(72) Inventor: **Mark Gajewski**, Avila Beach, CA (US)

(73) Assignee: **Kichler Lighting LLC**, Cleveland, OH (US)

(**) Term: **15 Years**

(21) Appl. No.: **29/581,977**

(22) Filed: **Oct. 24, 2016**

(51) **LOC (12) Cl.** **23-04**

(52) **U.S. Cl.**
USPC **D23/377**

(58) **Field of Classification Search**
USPC D23/370, 377-385, 411-414; D26/59,
D26/24, 118, 119, 121-124, 128-137
CPC F04D 25/088; F04D 29/38; F21V 21/03;
B63H 1/16

See application file for complete search history.

(56) **References Cited**

U.S. PATENT DOCUMENTS

D357,978 S *	5/1995	Young	D23/377
6,171,060 B1 *	1/2001	Gajewski	F04D 25/088 416/214 R
D576,265 S *	9/2008	Bucher	D23/377
D625,403 S *	10/2010	Liu	D23/377
D629,501 S *	12/2010	Liu	D23/377
D638,115 S *	5/2011	VanOtten Tolman	D23/377

D661,792 S *	6/2012	VanOtten Tolman	D23/377
D744,079 S *	11/2015	Wang	D23/385
D747,453 S *	1/2016	Stewart	D23/370
D799,669 S *	10/2017	Wang	D23/377
D803,379 S *	11/2017	Badarello	D23/377
D833,595 S *	11/2018	Busta	D23/377
D842,447 S *	3/2019	Horng	D23/377
D850,604 S *	6/2019	Gajewski	D23/377
D850,605 S *	6/2019	Ertze	D23/377
D851,233 S *	6/2019	Gajewski	D23/377
D854,677 S *	7/2019	Hagggar	D23/377
2006/0172688 A1 *	8/2006	Johnson	F04D 25/088 454/254
2015/0198180 A1 *	7/2015	Gajewski	F04D 25/088 416/247 R

* cited by examiner

Primary Examiner — Janice Hallmark

(74) *Attorney, Agent, or Firm* — Brooks Kushman P.C.

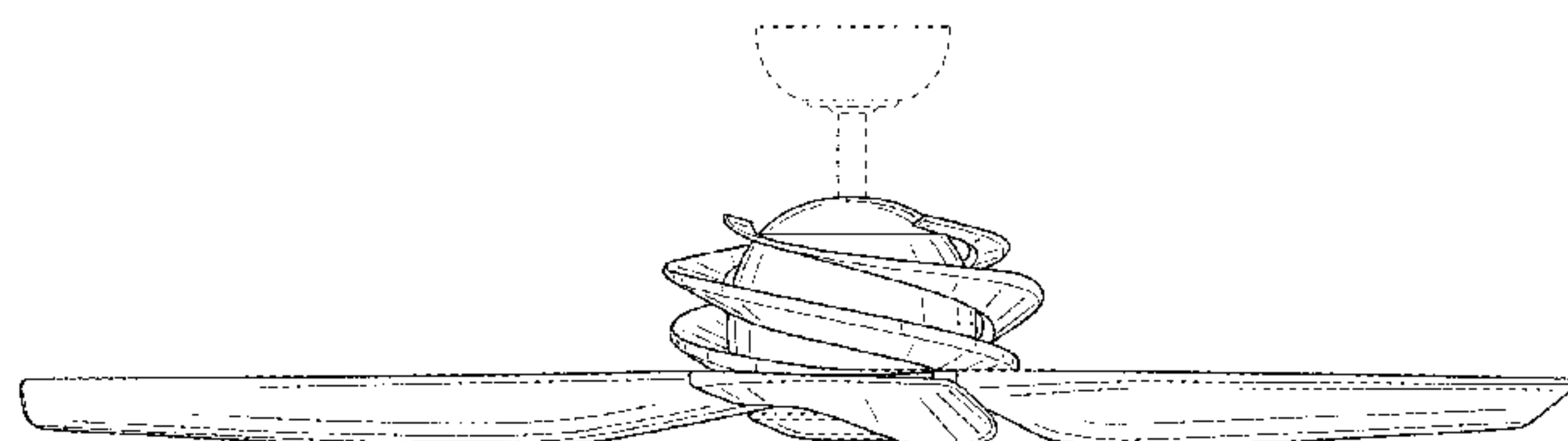
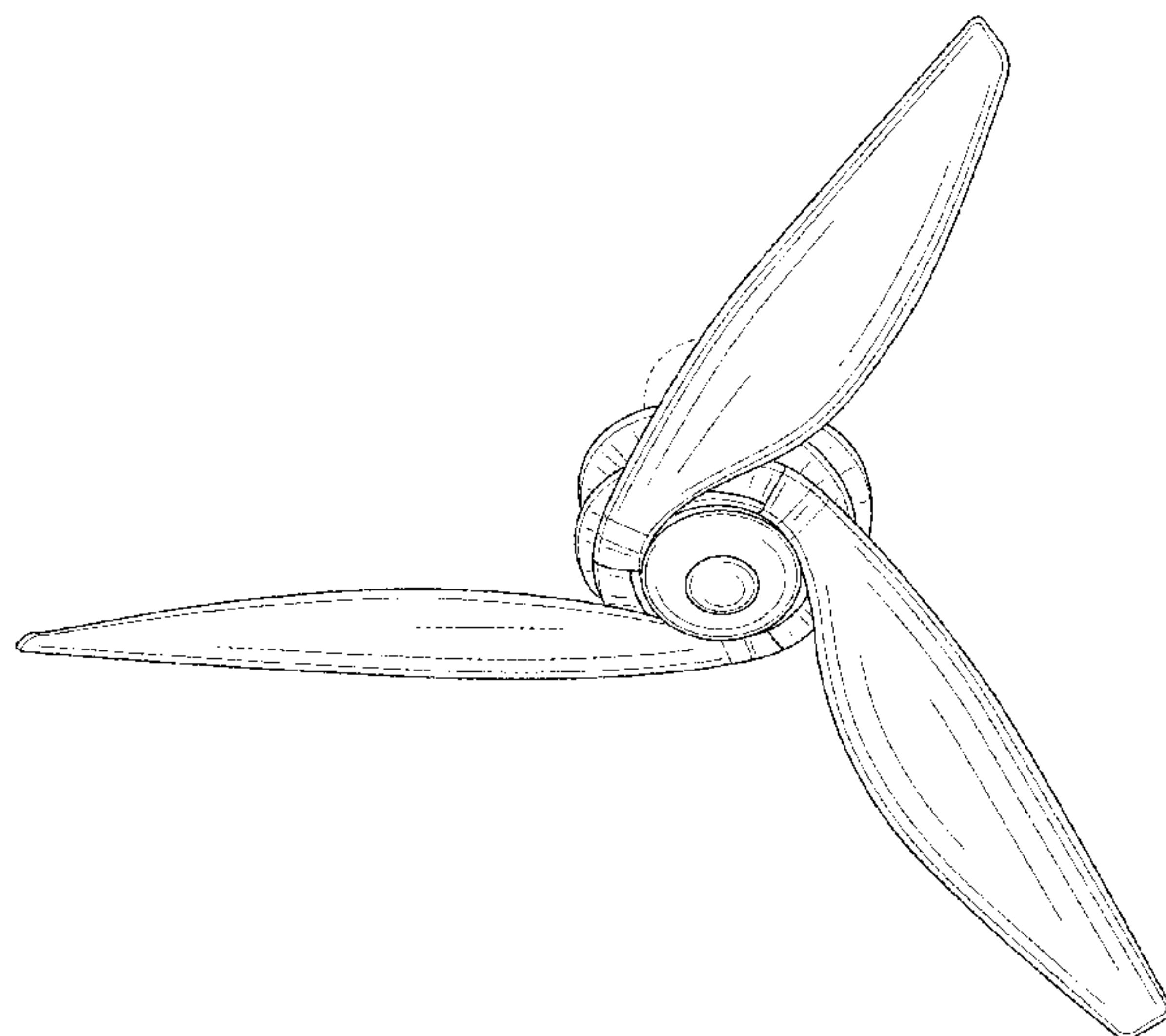
(57) **CLAIM**

I claim the ornamental design for a ceiling fan, as shown and described.

DESCRIPTION

FIG. 1 is a top perspective view of a ceiling fan showing my new design;
FIG. 2 is a bottom perspective view thereof;
FIG. 3 is a top plan view thereof;
FIG. 4 is a bottom plan view thereof;
FIG. 5 is a front elevational view thereof; and,
FIG. 6 is a side elevational view thereof.
The broken lines in the drawings depict parts of the ceiling fan that form no part of the claimed design.

1 Claim, 6 Drawing Sheets



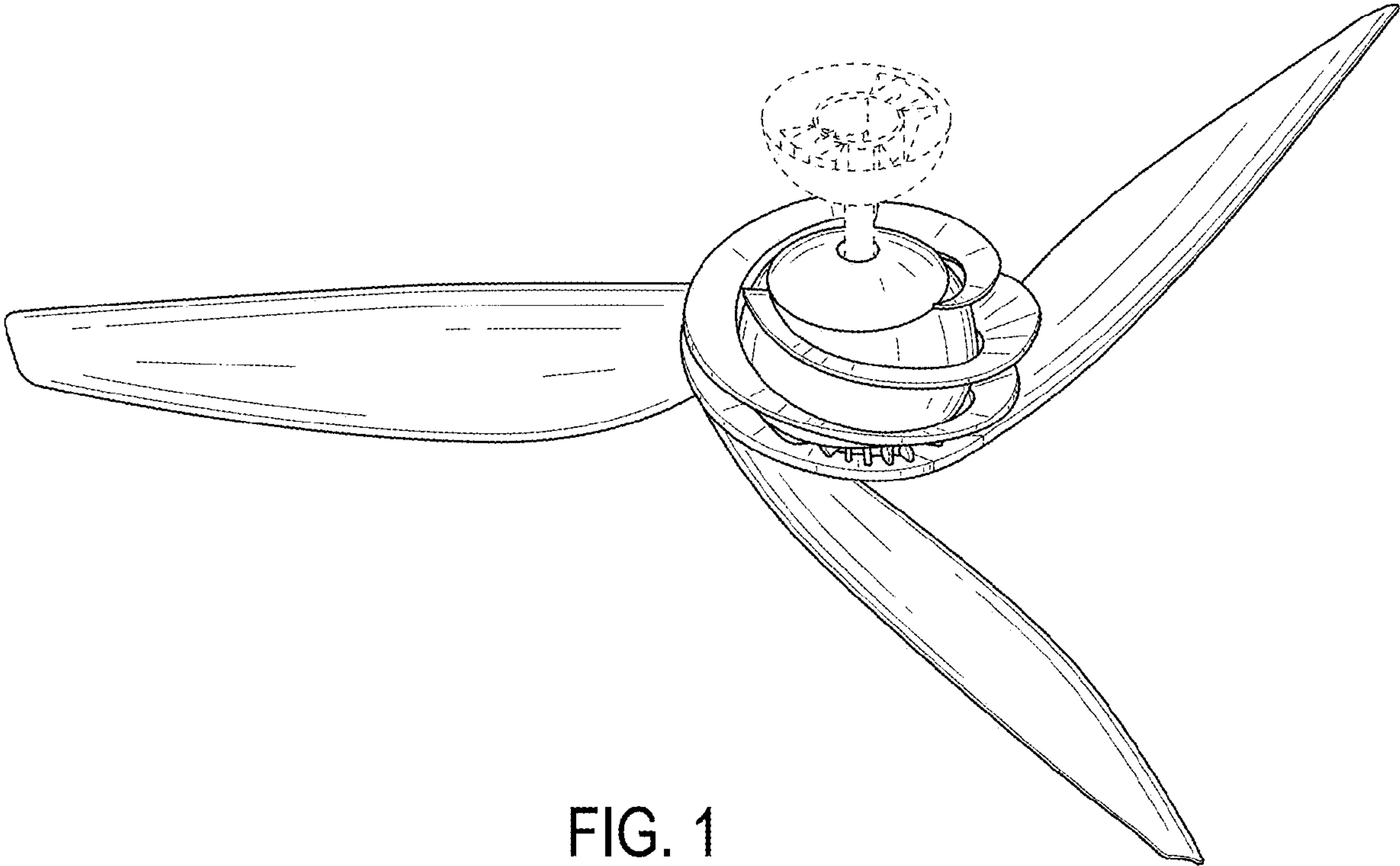
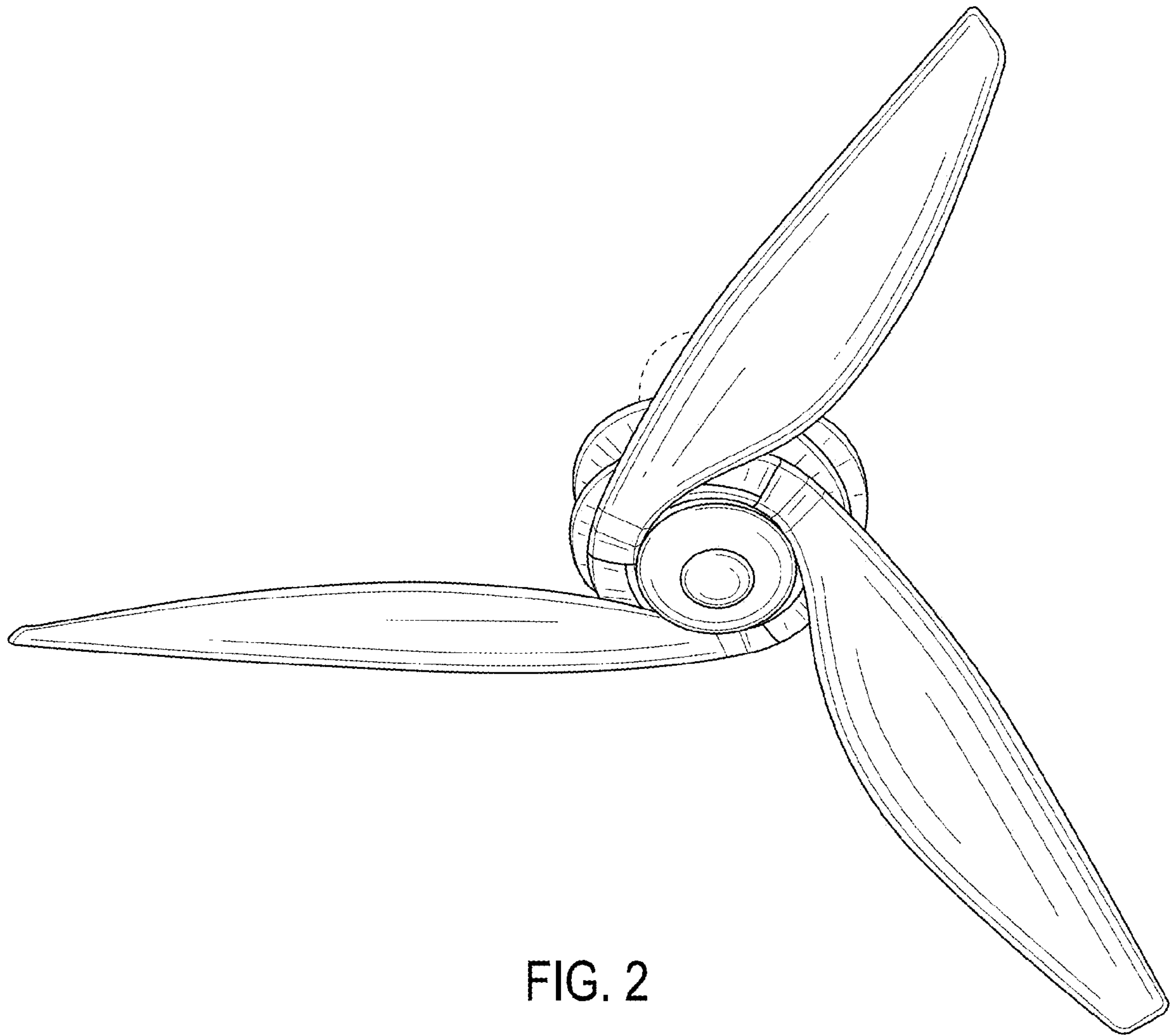


FIG. 1



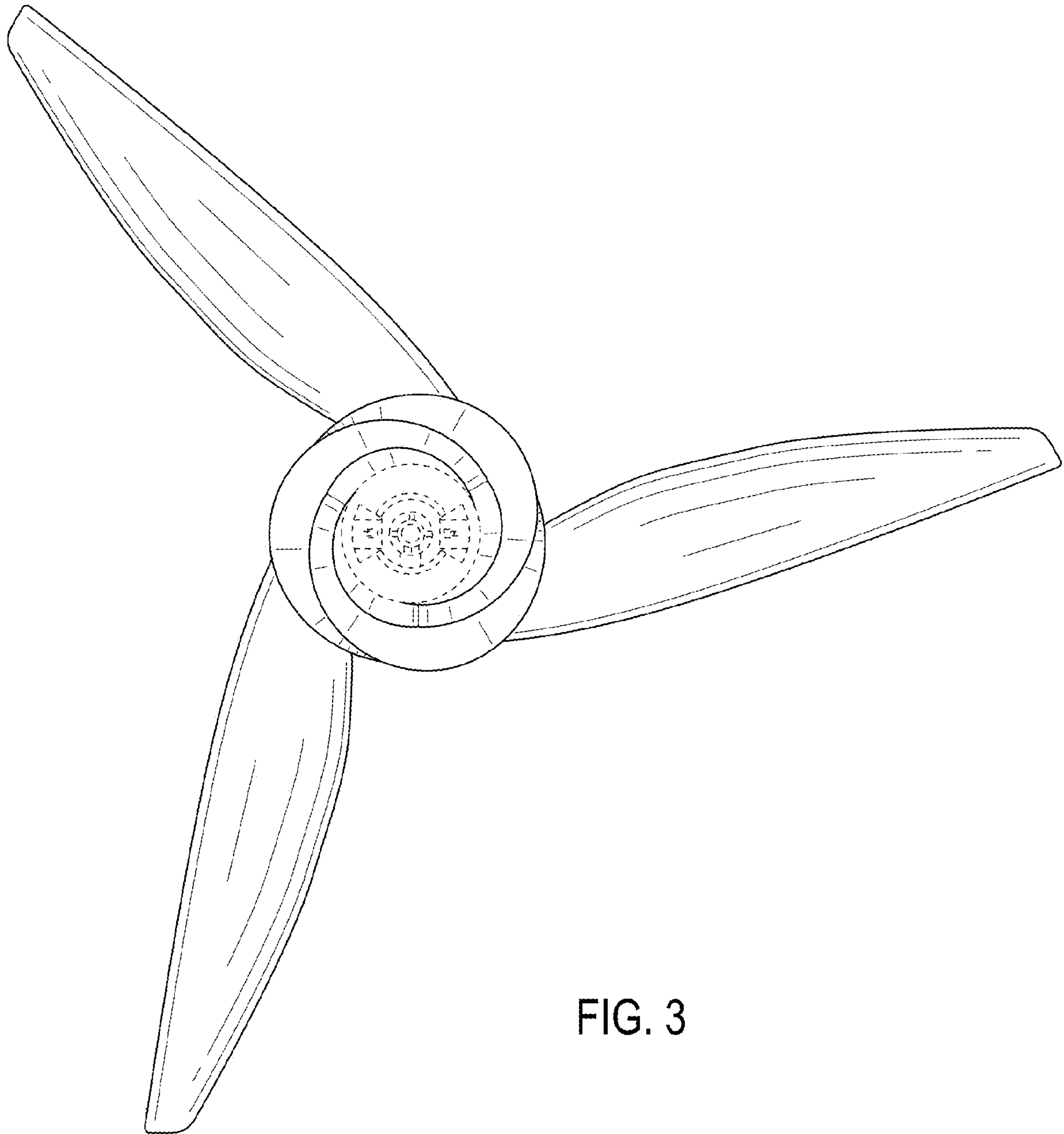


FIG. 3

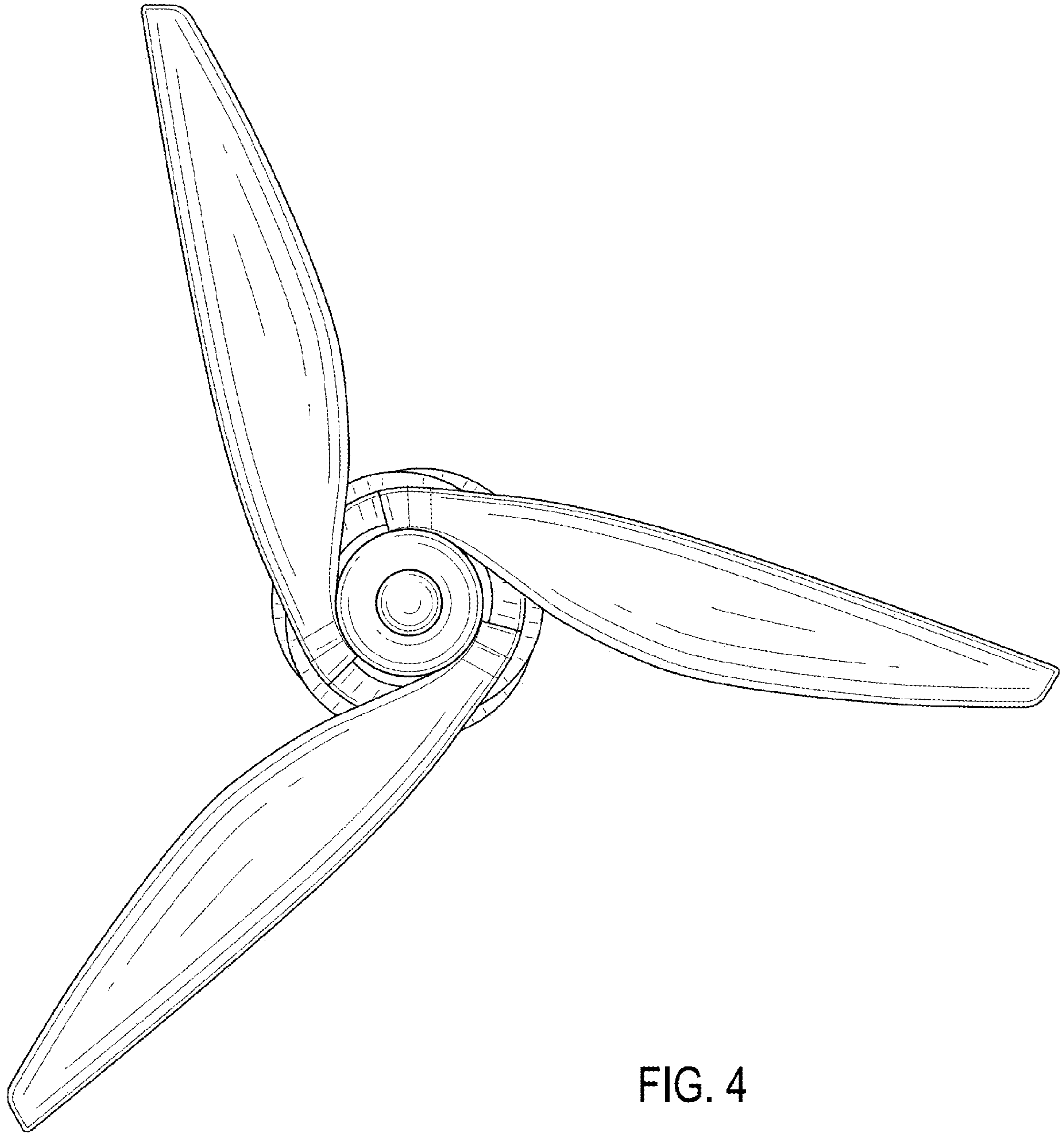


FIG. 4

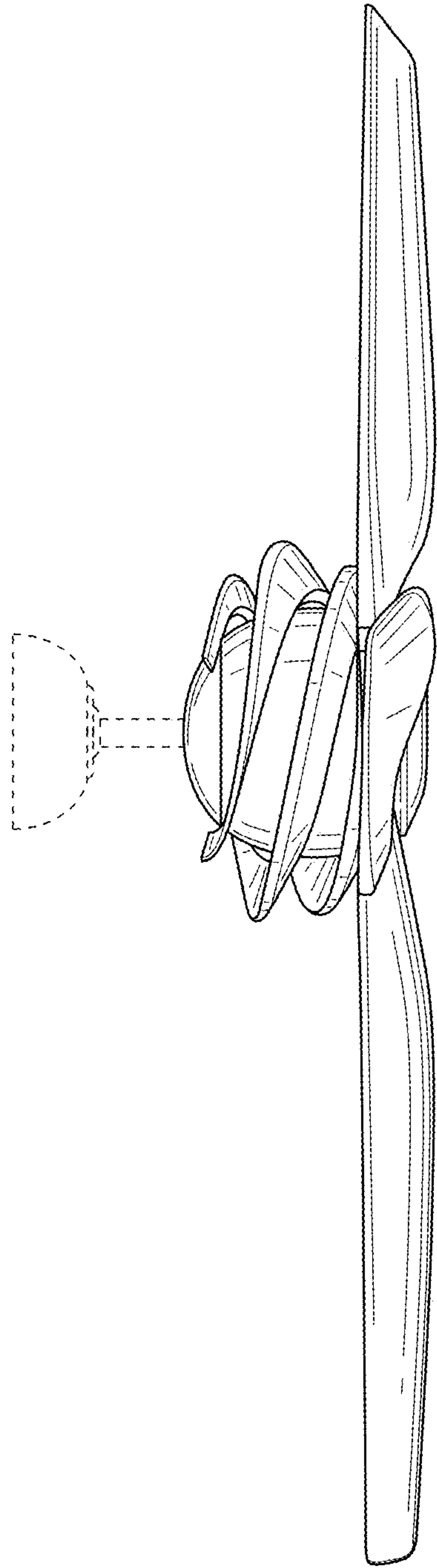


FIG. 5

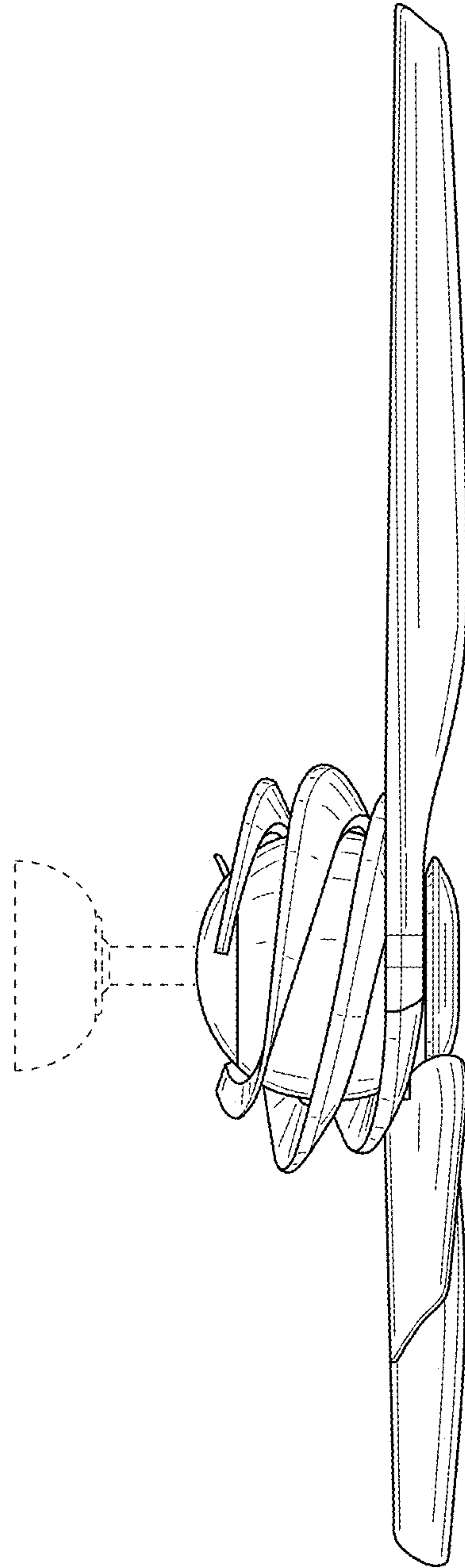


FIG. 6