



US00D881369S

(12) **United States Design Patent**
Ding

(10) **Patent No.:** **US D881,369 S**

(45) **Date of Patent:** **** Apr. 14, 2020**

- (54) **FAN**
- (71) Applicants: **Xiaodong Ding**, Shenzhen (CN);
Xuecheng Qin, Shenzhen (CN)
- (72) Inventor: **Xiaodong Ding**, Shenzhen (CN)
- (73) Assignees: **Xiaodong Ding**, Shenzhen (CN);
Xuecheng Qin, Shenzhen (CN)

- D678,993 S * 3/2013 Kung-Hua D23/370
- D703,304 S * 4/2014 Herbst D23/379
- D773,631 S * 12/2016 Breit D23/379
- D782,642 S * 3/2017 Poulton D23/370
- D837,963 S * 1/2019 Xu D23/382
- D841,796 S * 2/2019 Freeland D23/382
- D862,672 S * 10/2019 Chen D23/364
- 10,436,206 B2 * 10/2019 Freeland F04D 29/601
- D870,255 S * 12/2019 Ao D23/364

- (**) Term: **15 Years**
- (21) Appl. No.: **29/706,637**
- (22) Filed: **Sep. 22, 2019**

(30) **Foreign Application Priority Data**

Apr. 11, 2019 (CN) 2019 3 0163557

- (51) **LOC (12) Cl.** **23-04**
- (52) **U.S. Cl.**
USPC **D23/370**
- (58) **Field of Classification Search**
USPC D23/370-379, 381-385, 411-414, 360,
D23/314, 335, 328, 332
CPC . F04D 5/00; F04D 27/00; F04D 25/10; F04D
29/64; F04D 19/00; F24H 3/04; B65D
71/00

See application file for complete search history.

(56) **References Cited**

U.S. PATENT DOCUMENTS

- D406,331 S * 3/1999 Chan D23/332
- 6,155,782 A * 12/2000 Hsu F04D 25/084
415/126
- D435,899 S * 1/2001 Melwani D23/382
- D451,991 S * 12/2001 Israel D23/377
- D529,166 S * 9/2006 Geringer D23/379
- D669,976 S * 10/2012 Hsu D23/382

OTHER PUBLICATIONS

“Creative Night Light leafless Small Fan Hand Multi-Function Beauty Light leafless Fan Mini Home Portable Fan Outdoor Travel with Silent Fan”, Retrieved Sep. 19, 2019]. Retrieved from Internet, <https://www.amazon.com/Creative-leafless-Multi-Function-Portable-Outdoor/dp/B07XCNC6XB>.

(Continued)

Primary Examiner — Janice Hallmark

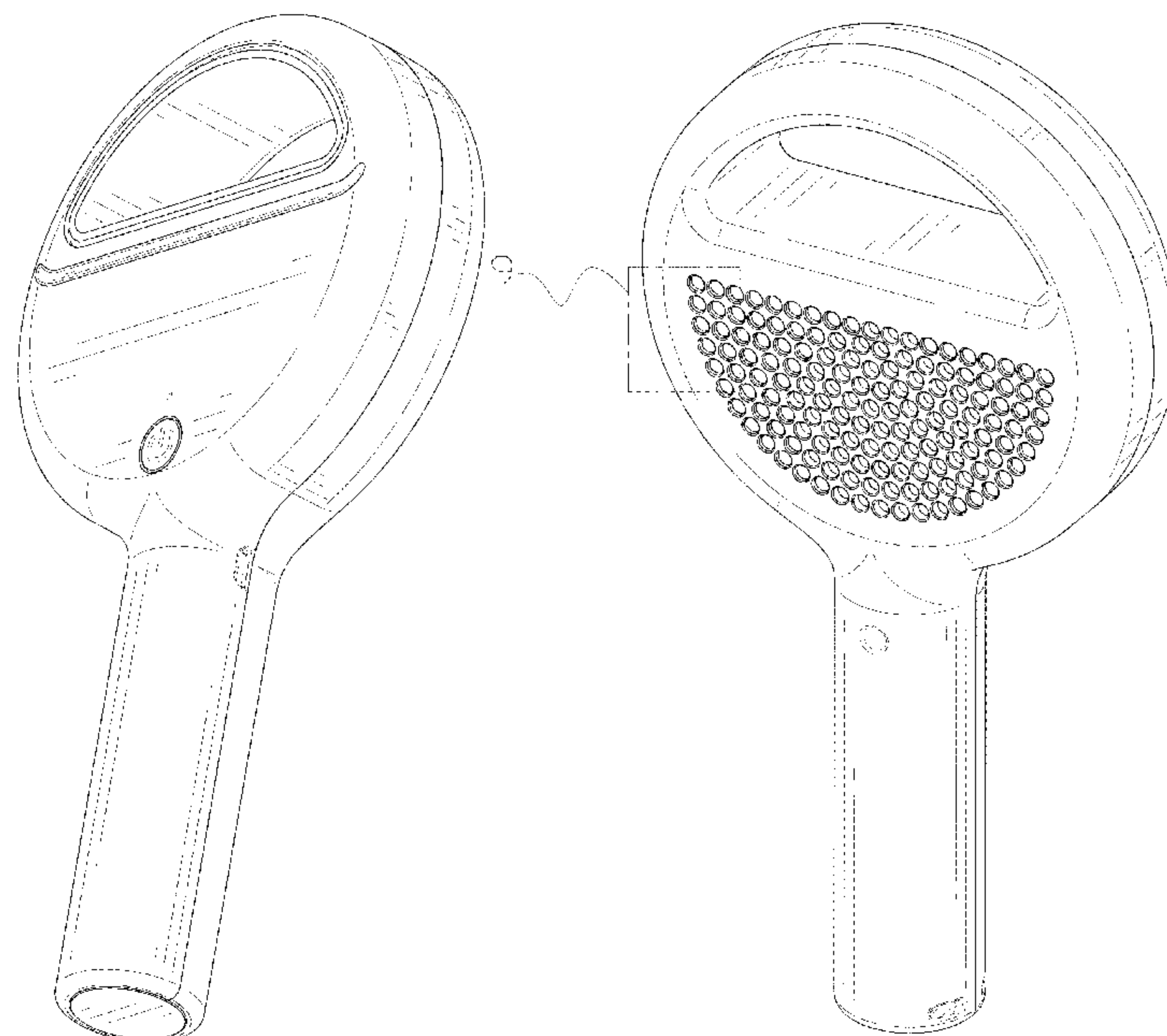
(57) **CLAIM**

The ornamental design for a fan, as shown and described.

DESCRIPTION

FIG. 1 is a perspective view of a fan showing my new design;
FIG. 2 is another perspective view thereof;
FIG. 3 is a front elevational view thereof;
FIG. 4 is a rear elevational view thereof;
FIG. 5 is a left side elevational view thereof;
FIG. 6 is a right side elevational view thereof;
FIG. 7 is a top plan view thereof;
FIG. 8 is a bottom plan view thereof; and,
FIG. 9 is an enlarged view of portion 9 shown in FIG. 2.
The broken lines in the drawings depict portions of the fan that form no part of the claimed design.

1 Claim, 9 Drawing Sheets



(56)

References Cited

OTHER PUBLICATIONS

“Mini Leafless Fan Portable USB Handheld Fan Charging Student Mute Four Generations New Small Pink Leafless Fan (Four Files)”, Retrieved Sep. 9, 2019]. Retrieved from Internet, <https://www.amazon.com/Leafless-Portable-Handheld-Charging-Generations/dp/B07T6T5DKS>.

“Leafless Mini Fan Purifier Silent USB Small Hand Held Fans Portable Leafless Fan, vertice. Pink”. Retrieved Sep. 19, 2019]. Retrieved from Internet, <https://www.amazon.com/Leafless-Purifier-Silent-Portable-vertice/dp/B07VL3SJ16>.

* cited by examiner

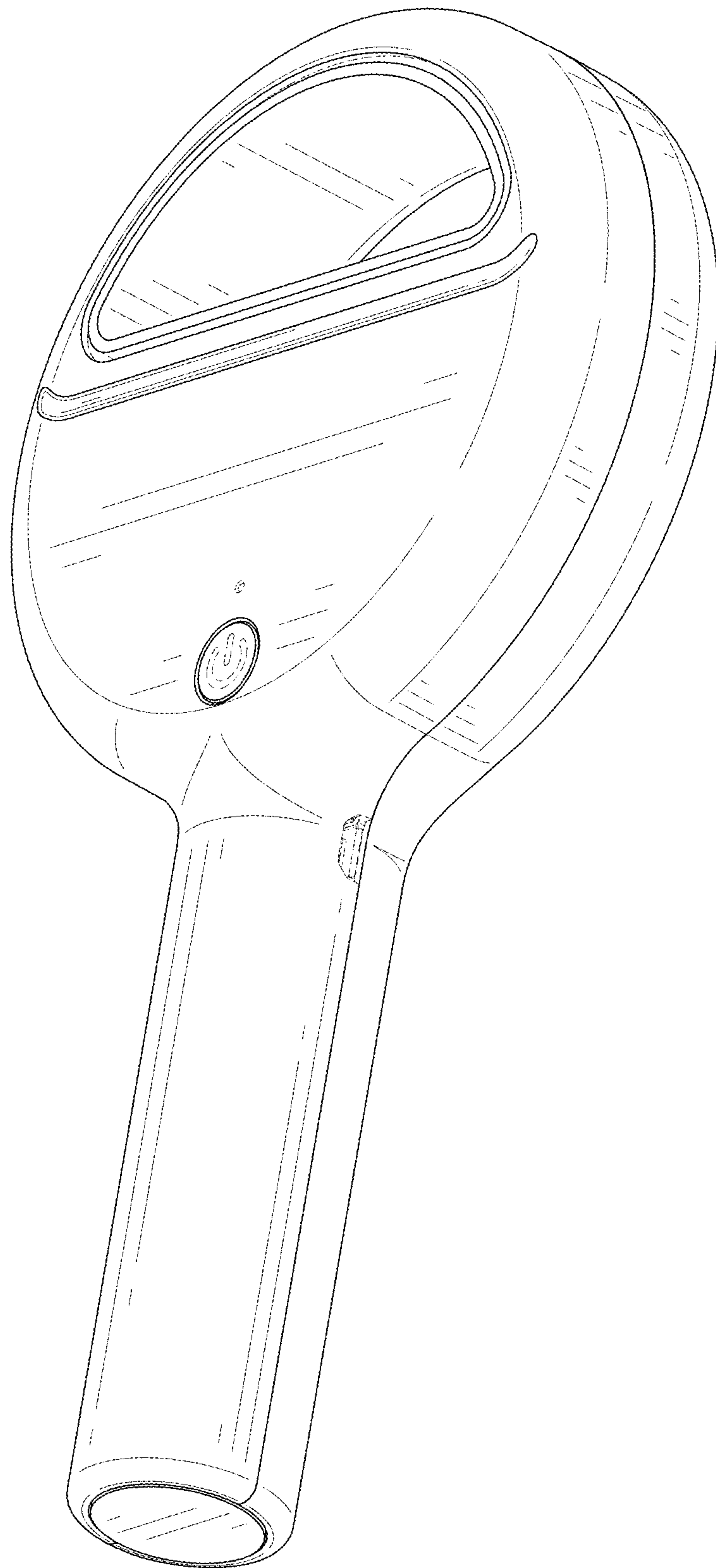


FIG. 1

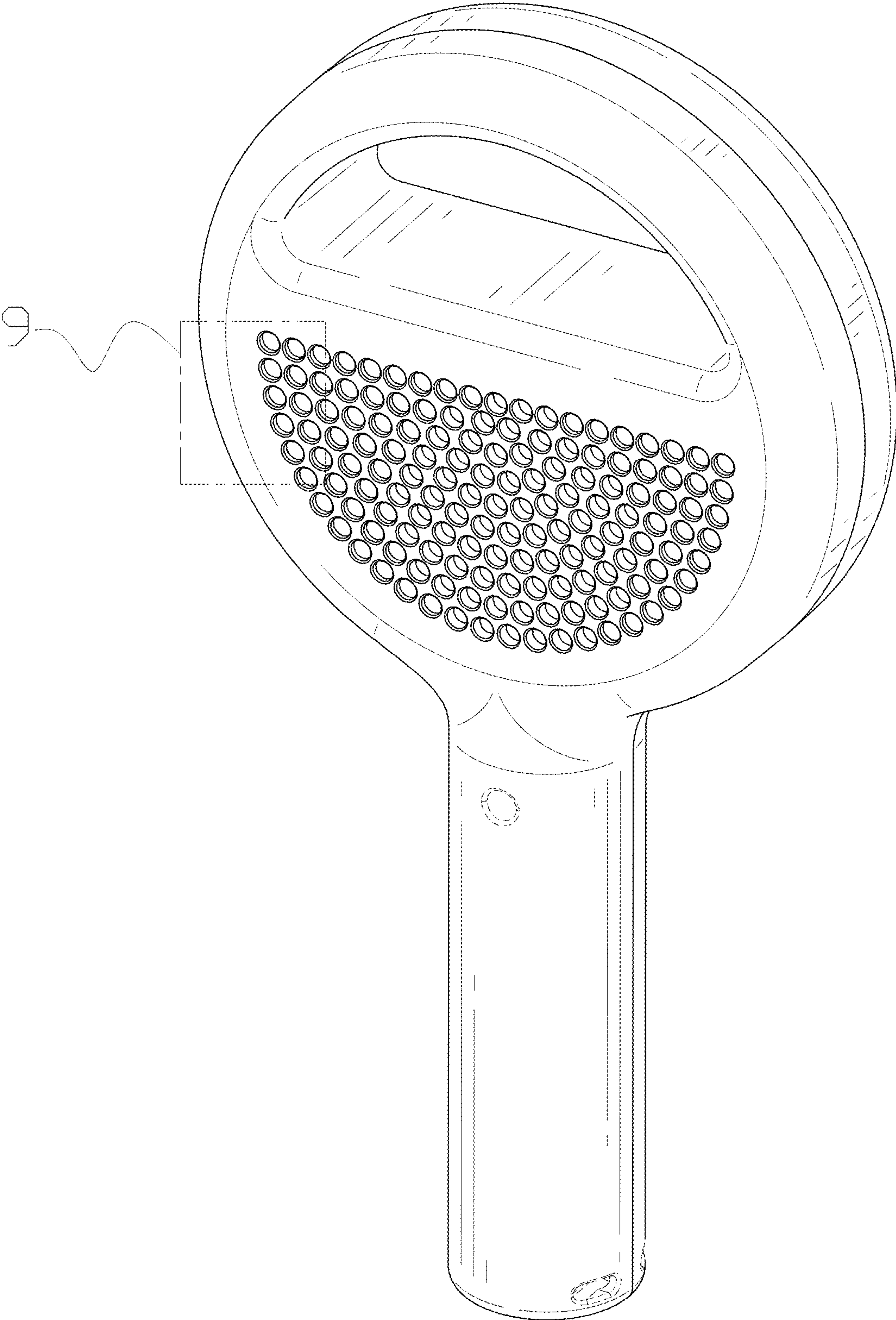


FIG. 2

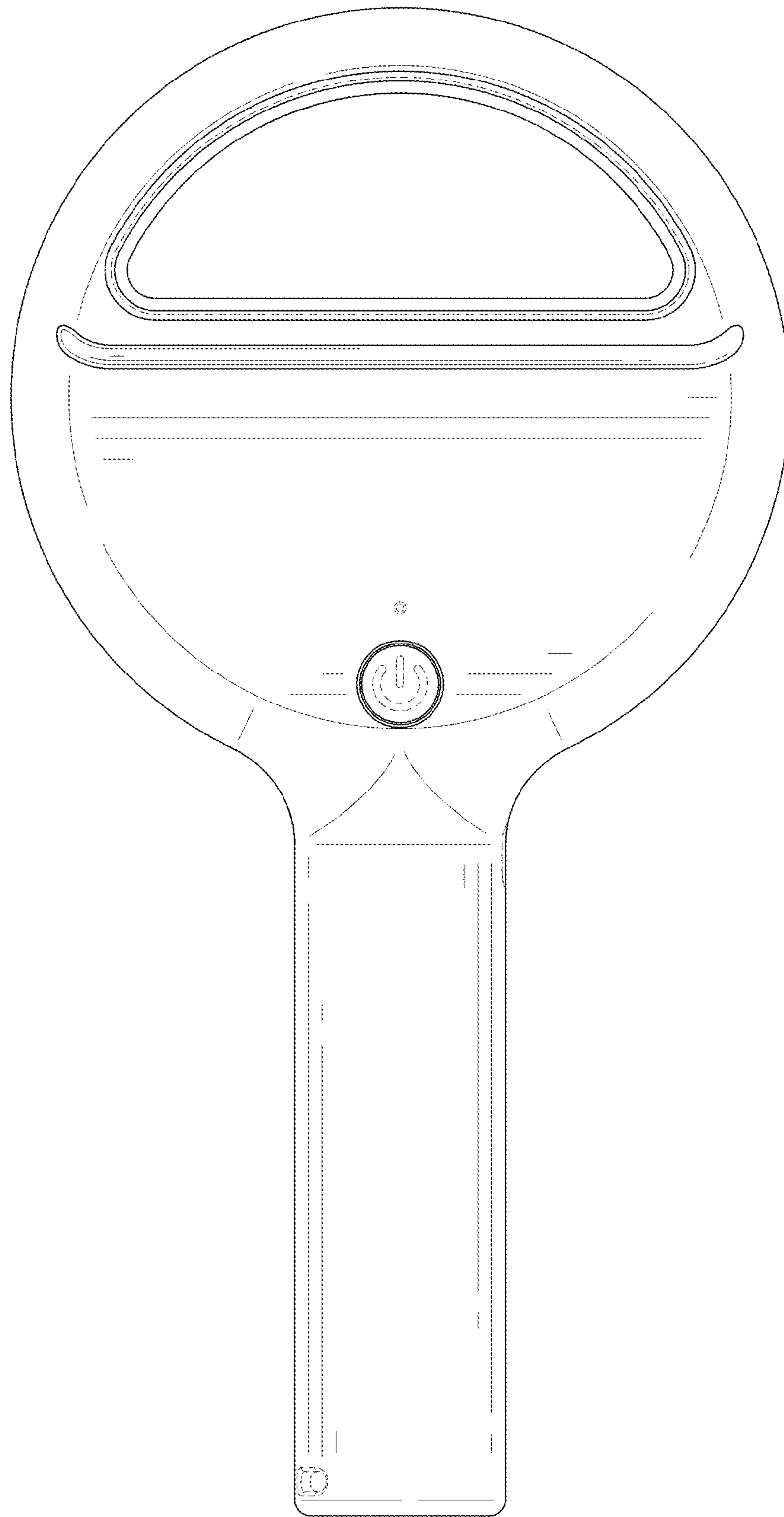


FIG. 3

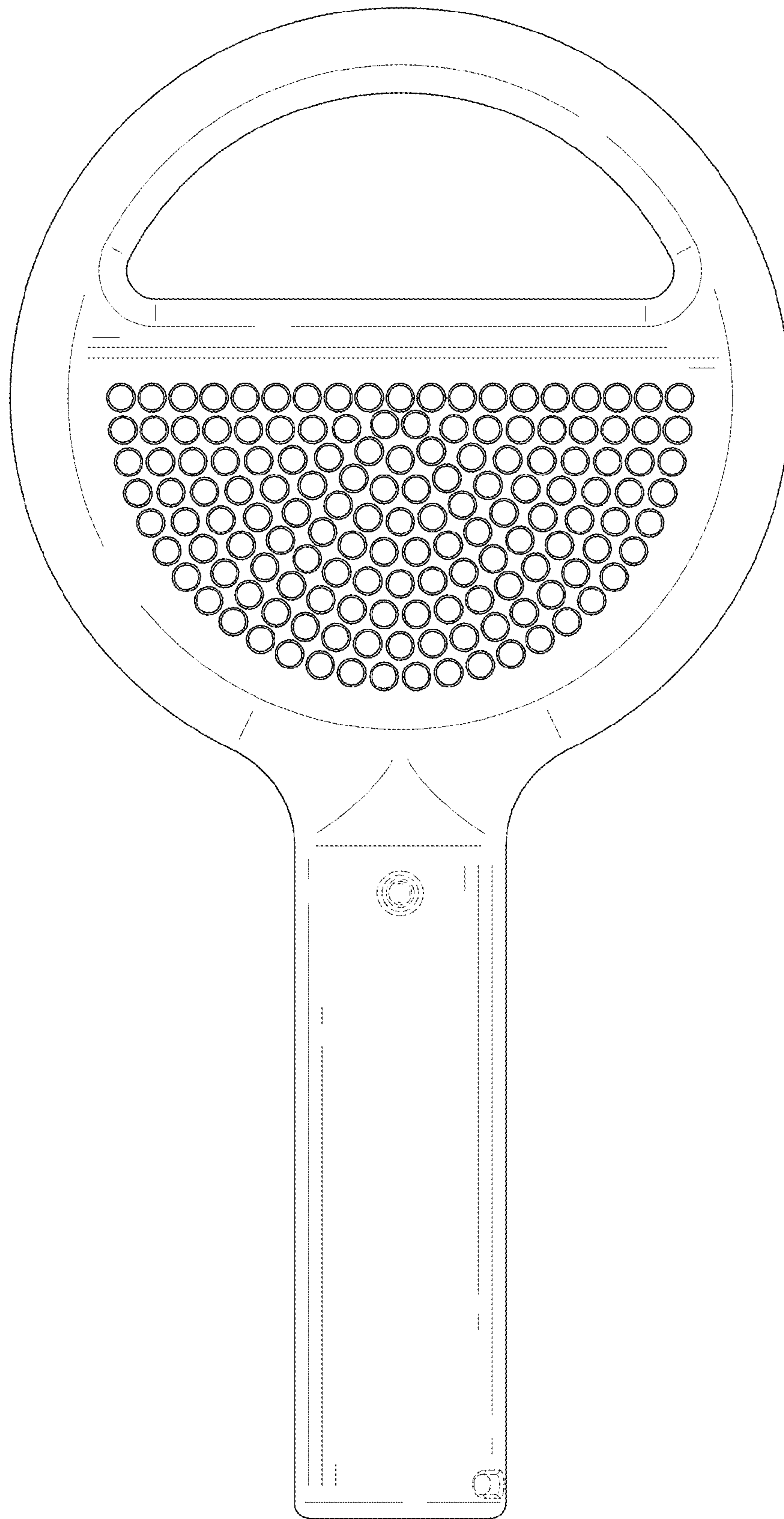


FIG. 4

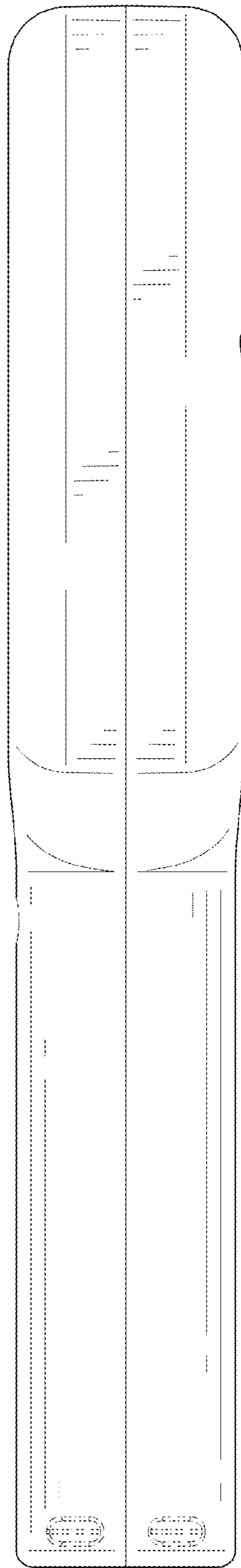


FIG. 5

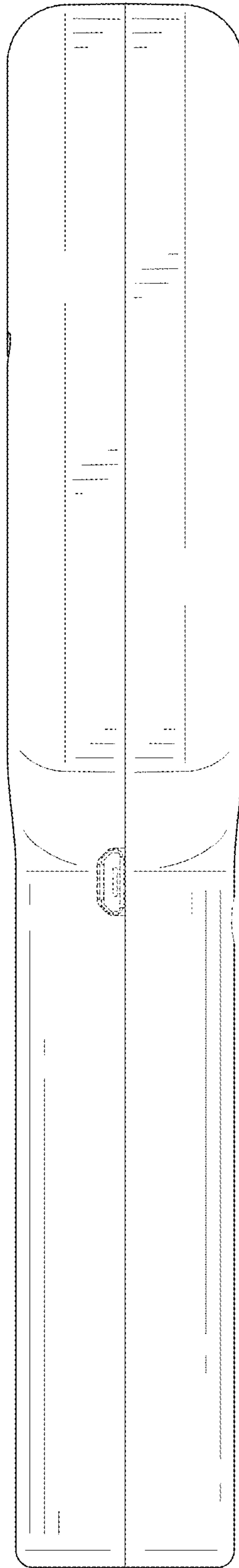


FIG. 6

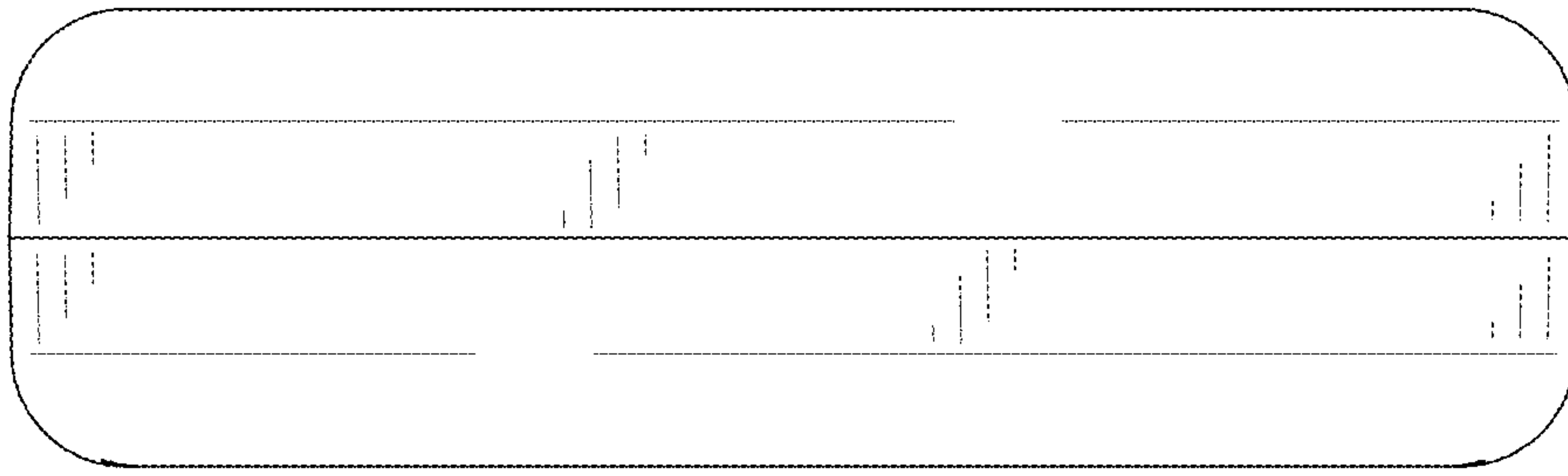


FIG. 7

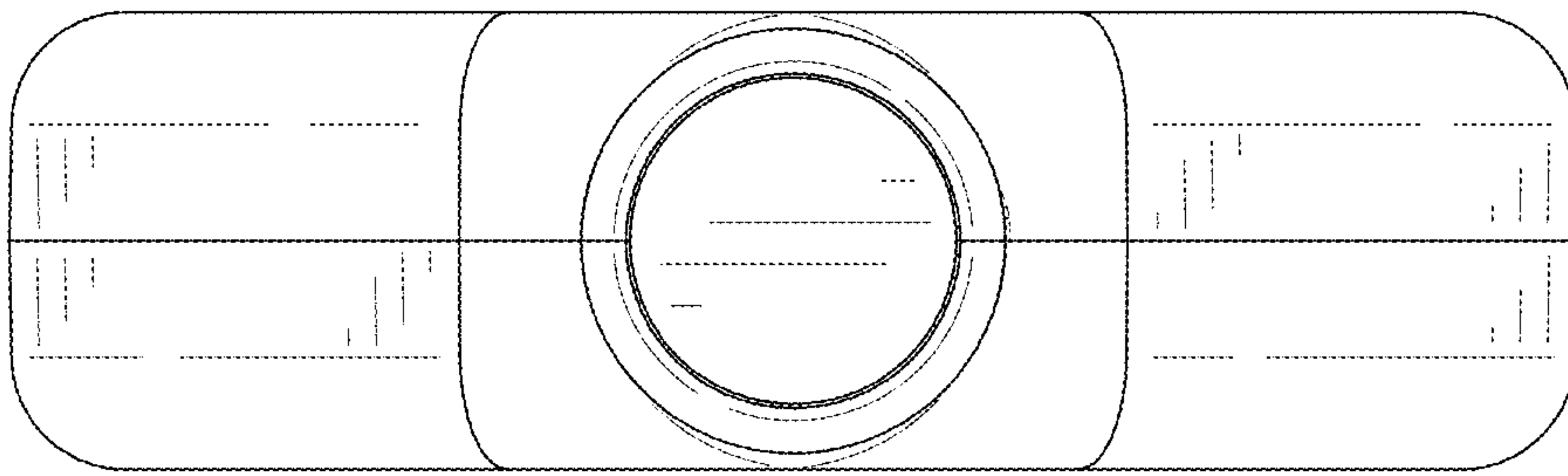


FIG. 8

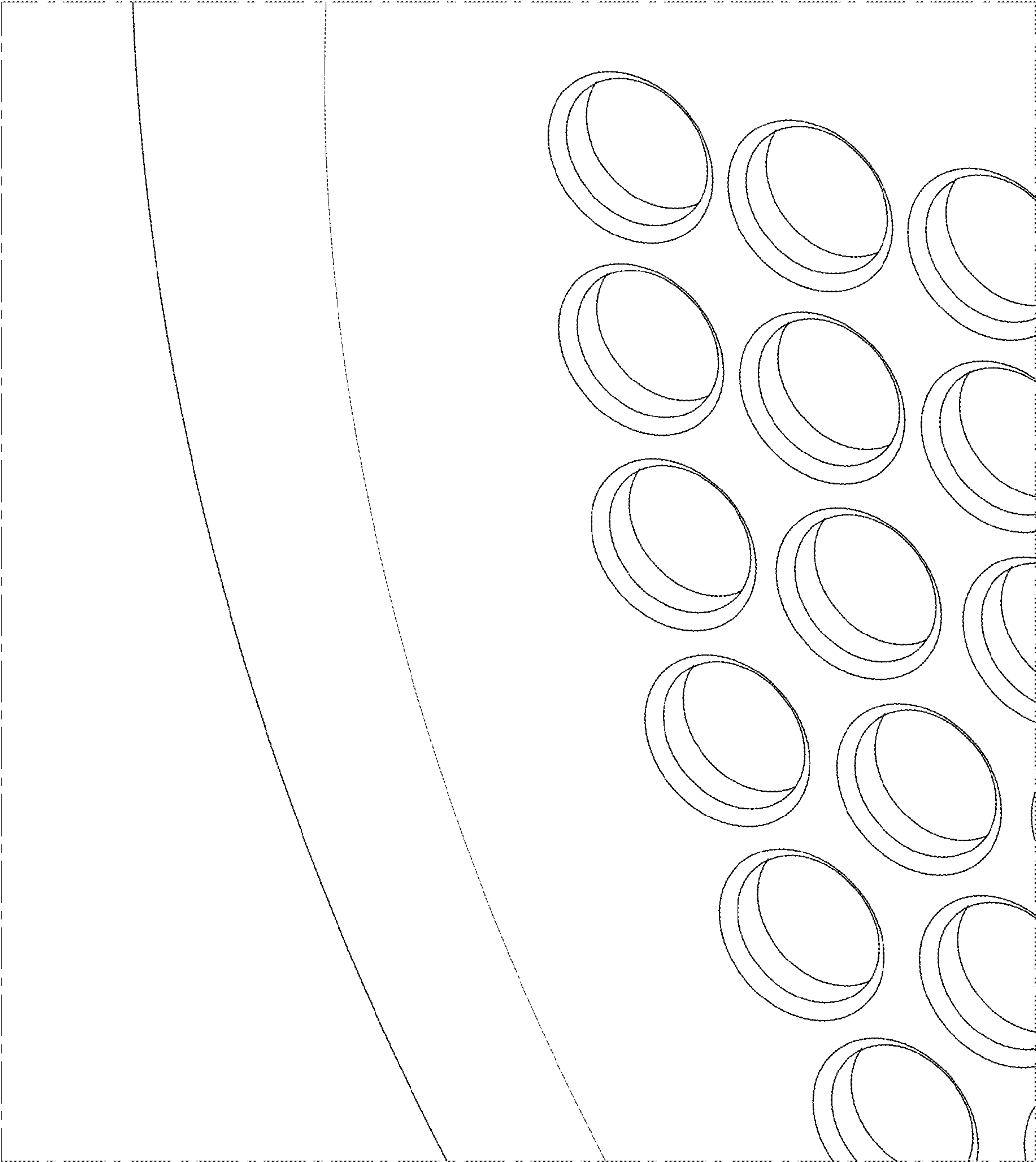


FIG. 9