



US00D881368S

(12) **United States Design Patent**  
**Yu**

(10) **Patent No.:** **US D881,368 S**

(45) **Date of Patent:** **\*\* Apr. 14, 2020**

(54) **AROMA DIFFUSER**

(56) **References Cited**

(71) Applicants: **SHENZHEN WINGENE ELECTRONIC DEVELOPMENT CO., LTD.**, Shenzhen (CN); **FASHION SILICONE PRODUCTS (SHENZHEN) CO., LTD.**, Shenzhen (CN); **SHENZHEN SUNSHINE ELECTRONIC TECHNOLOGY CO., LTD.**, Shenzhen (CN); **SHENZHEN CHANGEWORLD CO., LTD.**, Shenzhen (CN)

U.S. PATENT DOCUMENTS

6,102,660	A *	8/2000	Lee	.....	B60H 3/0028 416/146 R
6,103,201	A *	8/2000	Green	.....	A61L 9/122 239/289
D490,886	S *	6/2004	Engerant	.....	D23/366
D493,878	S *	8/2004	Morillas	.....	D23/366
D512,137	S *	11/2005	Chen	.....	D23/367
D544,088	S *	6/2007	Wu	.....	D23/368
D611,588	S *	3/2010	Jorgensen	.....	D23/366

(Continued)

(72) Inventor: **Qiaojie Yu**, Shenzhen (CN)

OTHER PUBLICATIONS

(73) Assignees: **SHENZHEN WINGENE ELECTRONIC DEVELOPMENT CO., LTD.**, Shenzhen (CN); **FASHION SILICONE PRODUCTS (SHENZHEN) CO., LTD.**, Shenzhen (CN); **SHENZHEN SUNSHINE ELECTRONIC TECHNOLOGY CO., LTD.**, Shenzhen (CN); **SHENZHEN CHANGEWORLD CO., LTD.**, Shenzhen (CN)

Cute Animal Air Freshener reference [Jun. 11, 2019] found online [Jun. 11, 2019]—[https://car.brandoo.com/cute-animal-air-freshener\\_p19033c0026d001.html](https://car.brandoo.com/cute-animal-air-freshener_p19033c0026d001.html).\*

(Continued)

*Primary Examiner* — Brandon M Rosati  
*Assistant Examiner* — John A Voytek

(\*\*) Term: **15 Years**

(57) **CLAIM**

(21) Appl. No.: **29/691,224**

The ornamental design for an aroma diffuser, as shown and described.

(22) Filed: **May 15, 2019**

**DESCRIPTION**

(30) **Foreign Application Priority Data**

Apr. 18, 2019 (CN) ..... 2019 3 0180637

(51) **LOC (12) Cl.** ..... **23-99**

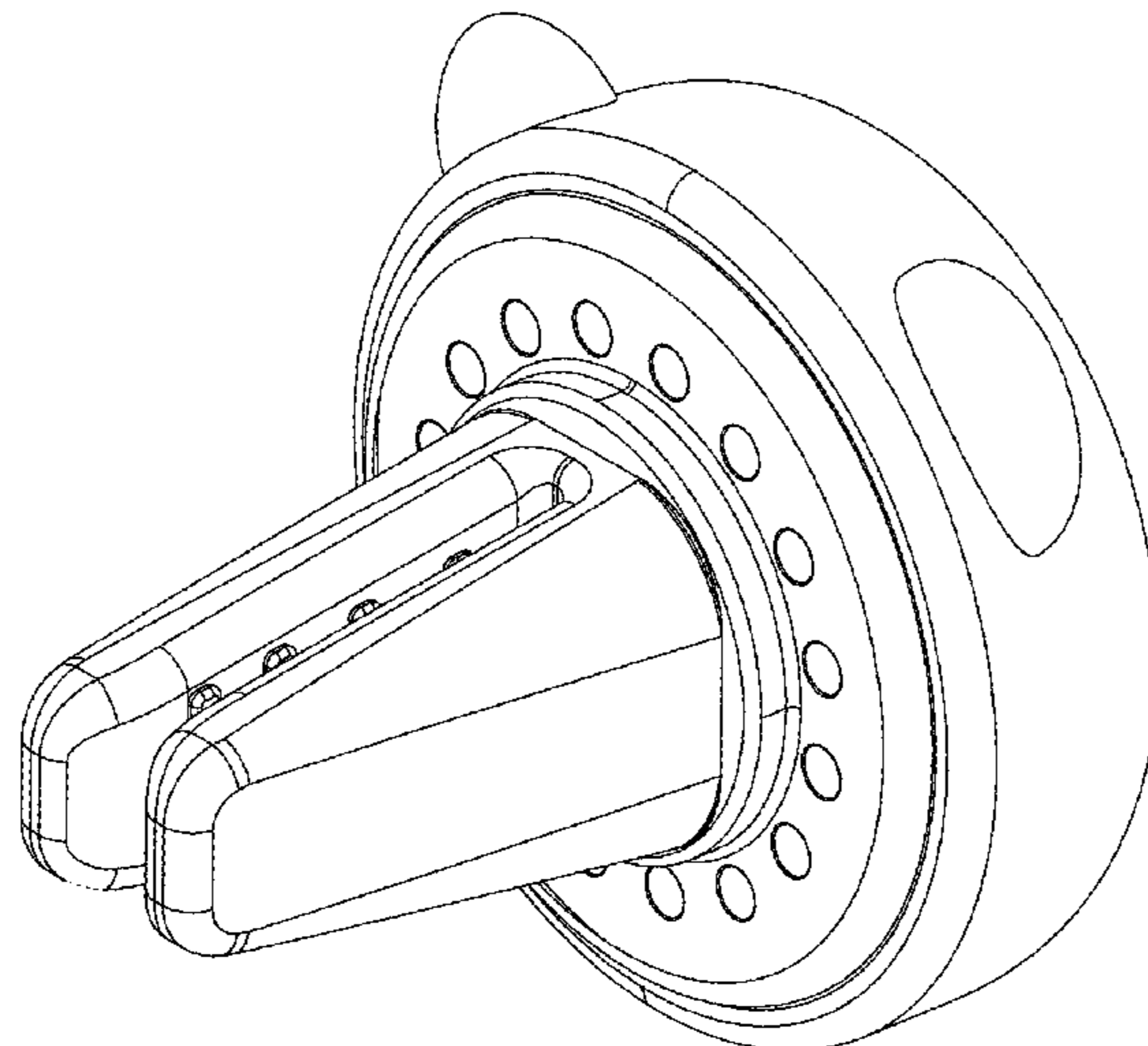
(52) **U.S. Cl.**  
USPC ..... **D23/366**

(58) **Field of Classification Search**  
USPC ..... D23/364-368; D8/395; D9/630, 729;  
D19/69; D21/604; D26/98  
CPC . A61L 9/03; A61L 9/012; A61L 9/015; A61L  
9/037

FIG. 1 is a perspective view of an aroma diffuser showing my new design;  
FIG. 2 is another perspective view thereof;  
FIG. 3 is a front elevational view thereof;  
FIG. 4 is a rear elevational view thereof;  
FIG. 5 is a left side elevational view thereof;  
FIG. 6 is a right side elevational view thereof;  
FIG. 7 is a top plan view thereof; and,  
FIG. 8 is a bottom plan view thereof.

See application file for complete search history.

**1 Claim, 8 Drawing Sheets**



(56)

References Cited

U.S. PATENT DOCUMENTS

D625,798	S *	10/2010	Hami	.....	D23/367
D629,881	S *	12/2010	Valentino	.....	D23/368
D648,019	S *	11/2011	Morneault	.....	D23/366
D724,193	S *	3/2015	Esses	.....	D23/366
D743,519	S *	11/2015	Furner	.....	D23/366
D756,456	S *	5/2016	Chang	.....	D19/69
D803,377	S *	11/2017	Gobber	.....	D23/366
D825,733	S *	8/2018	Gobber	.....	D23/367
D840,580	S *	2/2019	Huang	.....	D26/98
10,201,628	B1 *	2/2019	Hakim	.....	B60H 3/0007
D850,600	S *	6/2019	Gobber	.....	D23/368
2005/0127538	A1 *	6/2005	Fabrega	.....	A01M 1/2033 261/104
2009/0114736	A1 *	5/2009	Janakat	.....	A61L 9/127 239/44
2015/0283883	A1 *	10/2015	Schouten	.....	B60H 3/0028 239/57
2016/0256585	A1 *	9/2016	Esses	.....	A61L 9/03
2018/0228930	A1 *	8/2018	Davis	.....	A61L 9/03
2018/0318462	A1 *	11/2018	Bourne	.....	A61L 9/122

OTHER PUBLICATIONS

“Orcbee \_Lovely Flying Pig Car Air Outlet Freshener Perfume Clip Aroma Diffuser Decor”, Retrieved Apr. 24, 2019]. Retrieved from Internet, [https://www.amazon.com/%F0%9F%92%97-Orcbee-Lovely-Freshener-Diffuser/dp/B07QSSD128/ref=sr\\_1\\_26?keywords=Phone+Holder+With+Aroma+Diffuser&qid=1556088481&s=gateway&sr=8-26](https://www.amazon.com/%F0%9F%92%97-Orcbee-Lovely-Freshener-Diffuser/dp/B07QSSD128/ref=sr_1_26?keywords=Phone+Holder+With+Aroma+Diffuser&qid=1556088481&s=gateway&sr=8-26).

“Cell Phone Holder for Car, Magnetic Car Phone Mount, Air Vent Clip Phone Holder, Cell Phone Stand, Car Air, Freshener,Car Fragrance Diffuser, Car Air Purifier Fan Air Force,Air Condition Phone Mount”, Retrieved Apr. 24, 2019]. Retrieved from Internet, [https://www.amazon.com/Magnetic-Freshener-Fragrance-Diffuser-Condition/dp/B00JKJ7161/ref=sr\\_1\\_22?keywords=Phone+Holder+With+Aroma+Diffuser&qid=1553088481&s=gateway&sr=8-22](https://www.amazon.com/Magnetic-Freshener-Fragrance-Diffuser-Condition/dp/B00JKJ7161/ref=sr_1_22?keywords=Phone+Holder+With+Aroma+Diffuser&qid=1553088481&s=gateway&sr=8-22).

“2 Packs Car Diffuser Vent Clip Car Diffuser Essential Oils Aromatherapy Car Vent Decorations with Felt Pads”, Retrieved Apr. 24, 2019]. Retrieved from Internet, [https://www.amazon.com/Packs-Diffuser-Essential-Aromatherapy-Decorations/dp/B07BY8V2X8/ref=sr\\_1\\_2?keywords=Phone+Holder+With+Aroma+Diffuser&qid=1556088481&s=gateway&sr=8-2](https://www.amazon.com/Packs-Diffuser-Essential-Aromatherapy-Decorations/dp/B07BY8V2X8/ref=sr_1_2?keywords=Phone+Holder+With+Aroma+Diffuser&qid=1556088481&s=gateway&sr=8-2).

\* cited by examiner

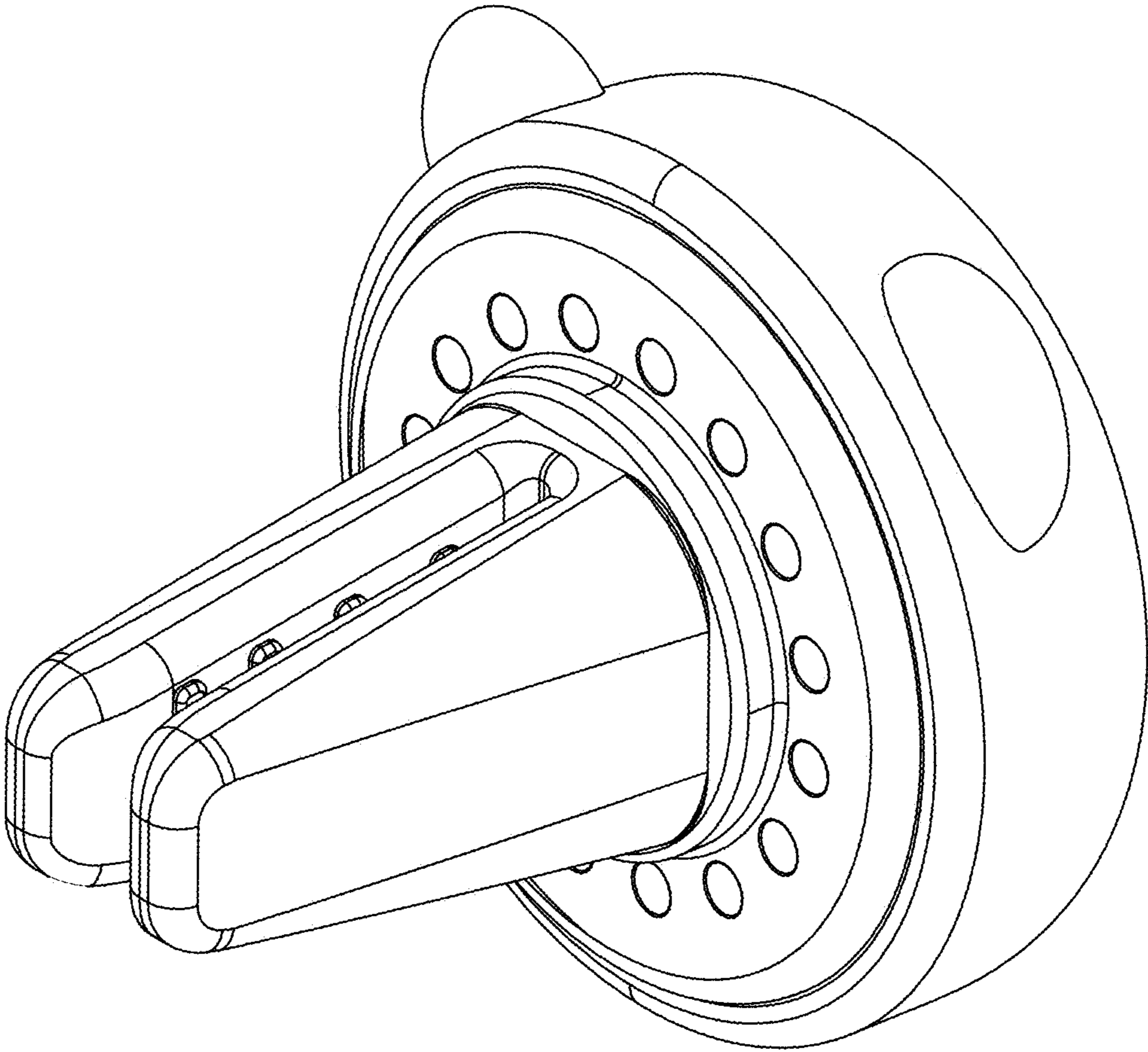


FIG. 1

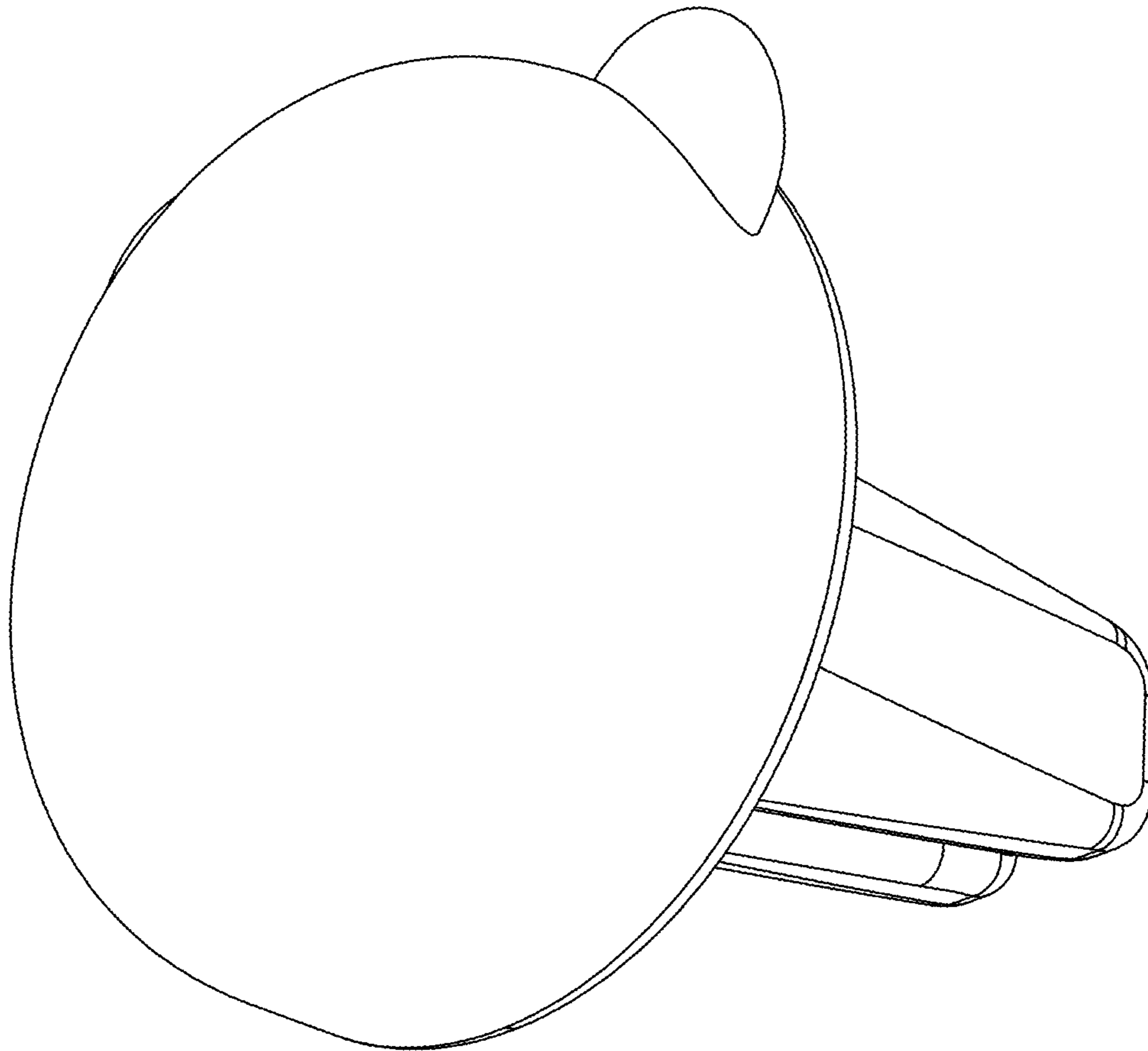


FIG. 2

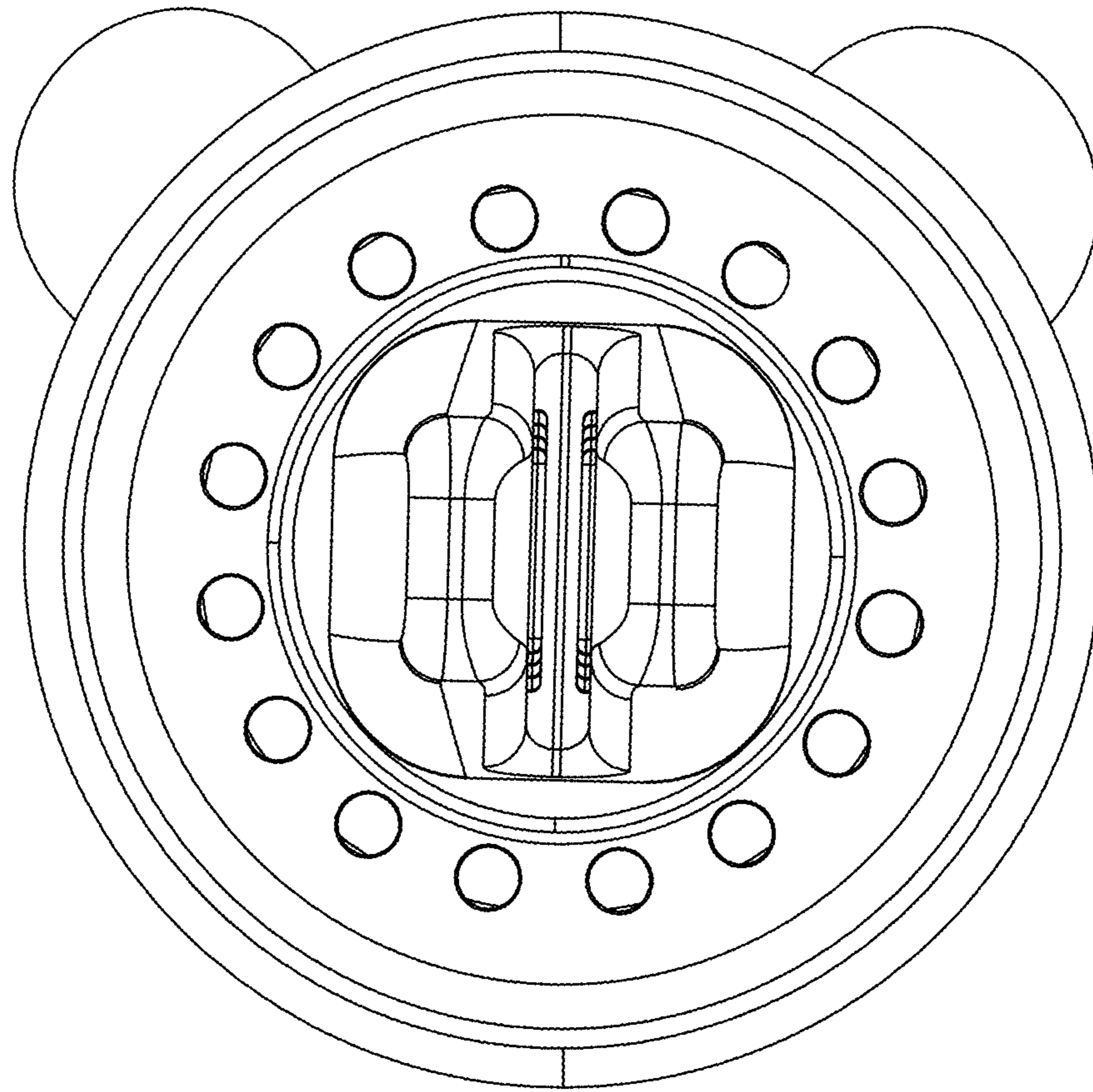


FIG. 3

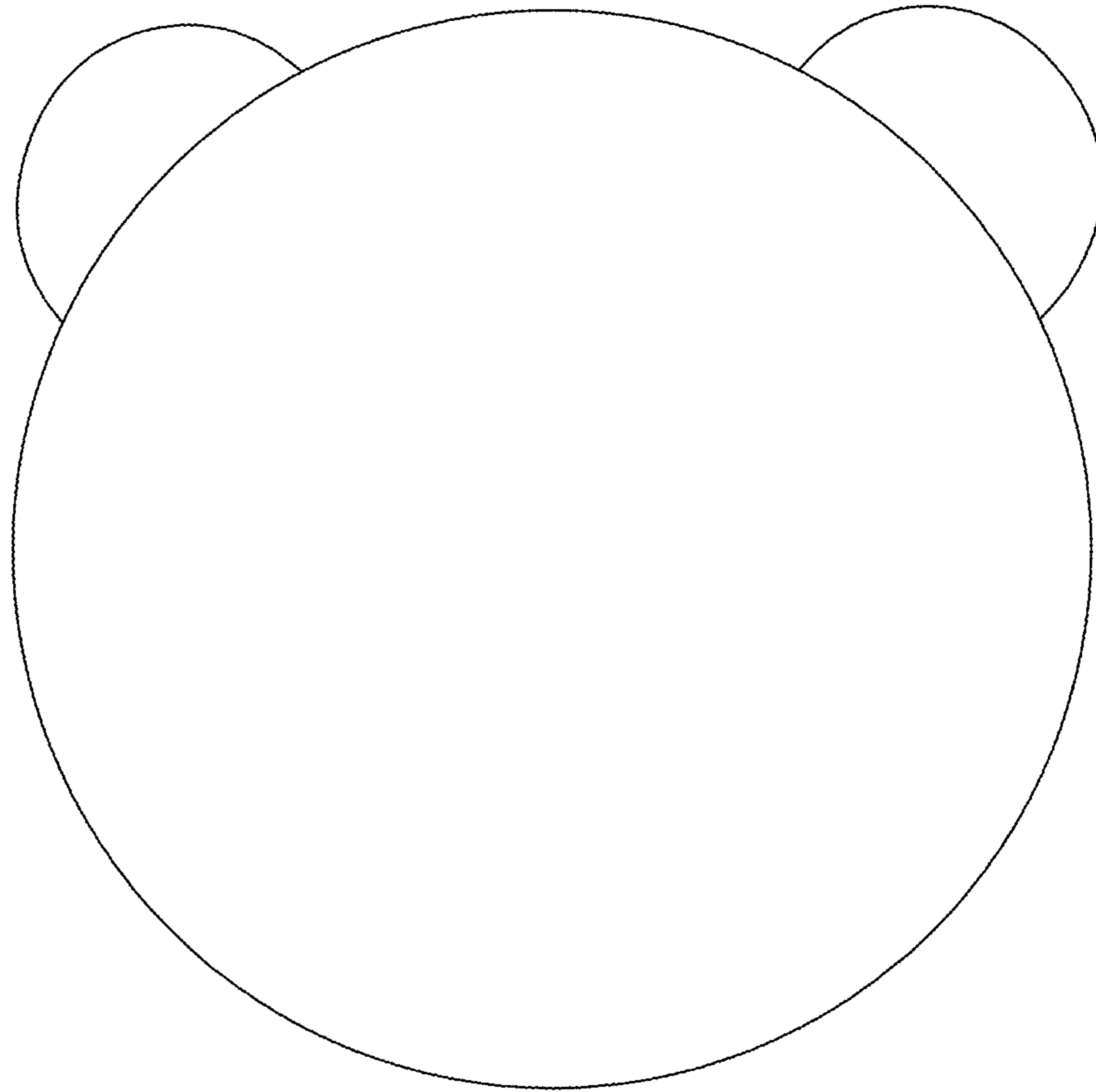


FIG. 4

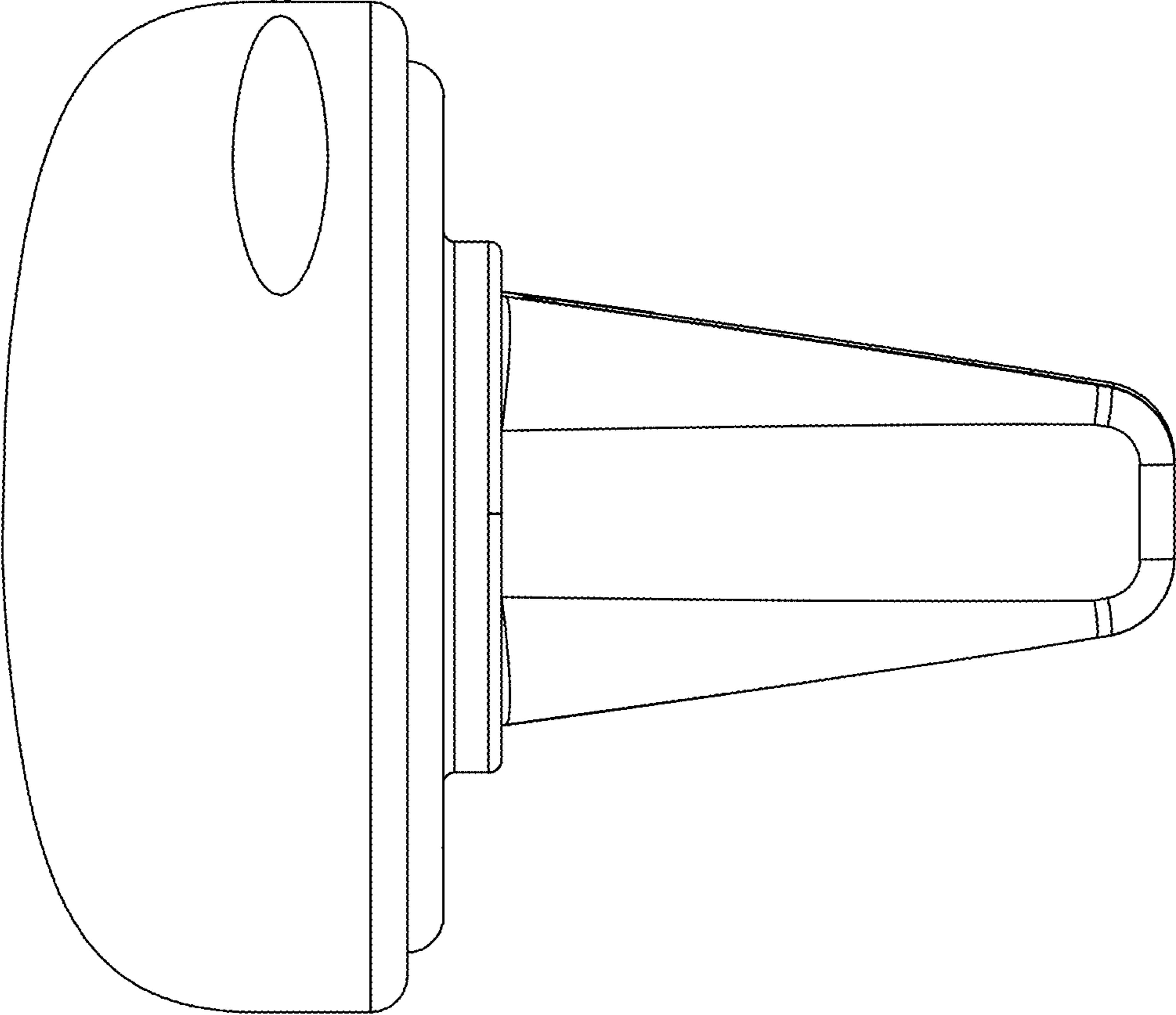


FIG. 5

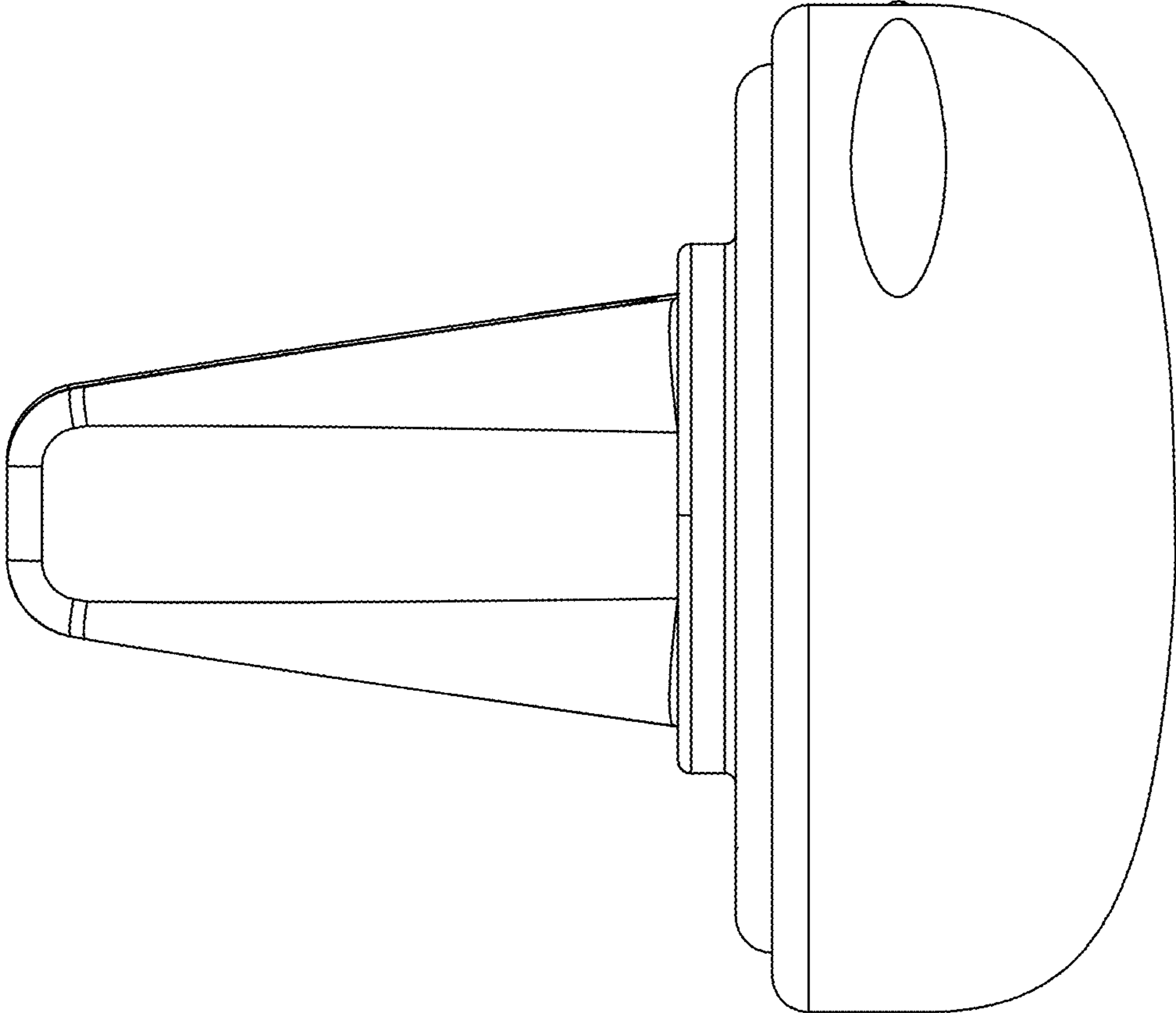


FIG. 6



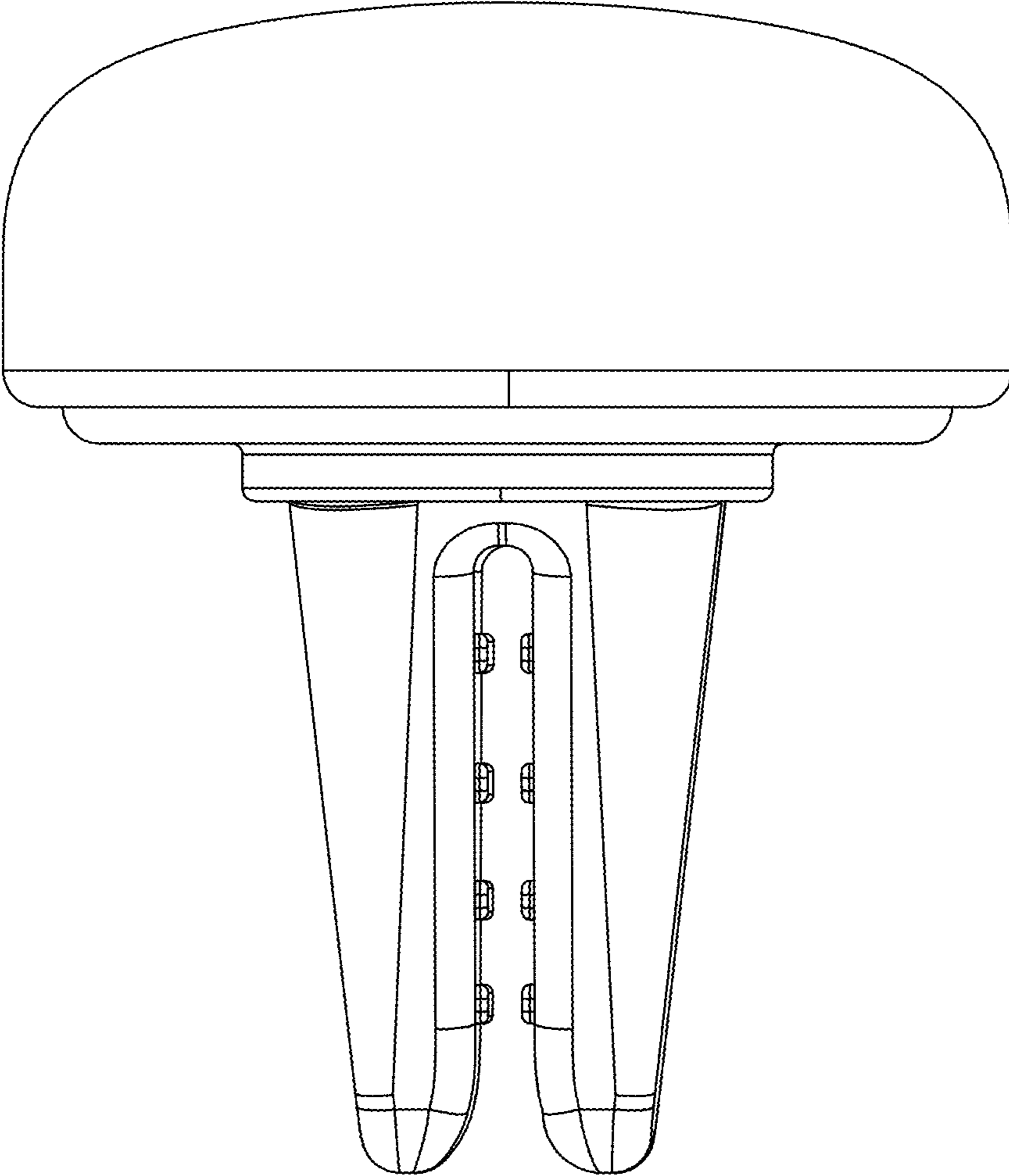


FIG. 7

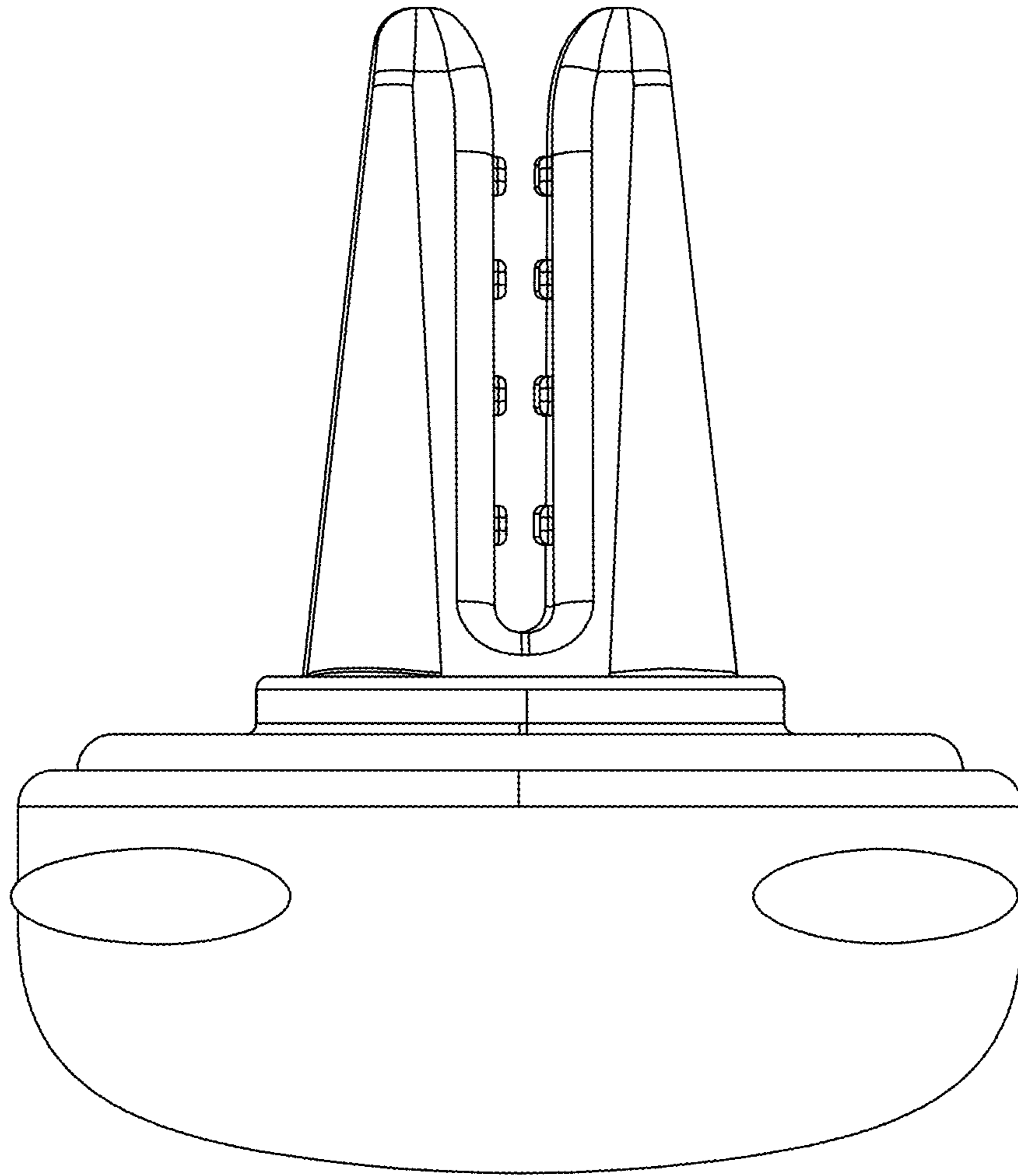


FIG. 8