



US00D881364S

(12) **United States Design Patent** (10) **Patent No.:** **US D881,364 S**
Li (45) **Date of Patent:** **** Apr. 14, 2020**

(54) **COOLING AND HEATING FAN**
(71) Applicant: **Shenzhen Shiguangxiu Technology Co., Ltd., Shenzhen (CN)**
(72) Inventor: **Fei Li, Shenzhen (CN)**
(73) Assignee: **Shenzhen Shiguangxiu Technology Co., Ltd., Shenzhen (CN)**

D665,893 S * 8/2012 Li D23/366
D696,761 S * 12/2013 Jorgensen D23/366
D724,714 S * 3/2015 Benson D23/332
D735,314 S * 7/2015 Benamor D23/366
D814,619 S * 4/2018 Harrison D23/364
D837,355 S * 1/2019 Gunnefur D23/364
D852,344 S * 6/2019 Hua D23/364
D855,784 S * 8/2019 Seo D23/358
2008/0279731 A1* 11/2008 Goreham A61L 9/037
422/125
2015/0231542 A1* 8/2015 Wennerstrom B01D 46/0004
96/55

(**) Term: **15 Years**

(21) Appl. No.: **29/665,084**

(22) Filed: **Sep. 30, 2018**

(30) **Foreign Application Priority Data**

Jul. 6, 2018 (CN) 2018 3 0362711

(51) **LOC (12) Cl.** **23-04**

(52) **U.S. Cl.**
USPC **D23/355**

(58) **Field of Classification Search**
USPC D23/355-366, 352, 369, 332, 333, 335,
D23/336, 342, 351; 422/120, 122;
55/356, 473, 504; 96/971; 261/DIG. 17,
261/DIG. 65, DIG. 88, DIG. 31
CPC .. A61L 9/16; A61L 9/22; B01D 47/00; B01D
47/027; B01D 2221/02; B01D 2259/4508;
B03C 3/155; B03C 3/368; F24F 3/16;
F24F 13/20; F24F 13/28
See application file for complete search history.

(56) **References Cited**

U.S. PATENT DOCUMENTS

4,385,911 A * 5/1983 Popeil B01D 46/10
55/323
D613,844 S * 4/2010 Jorgensen D23/366
D653,744 S * 2/2012 Li D23/366

* cited by examiner

Primary Examiner — David G Muller

(74) *Attorney, Agent, or Firm* — ScienBiziP, P.C.

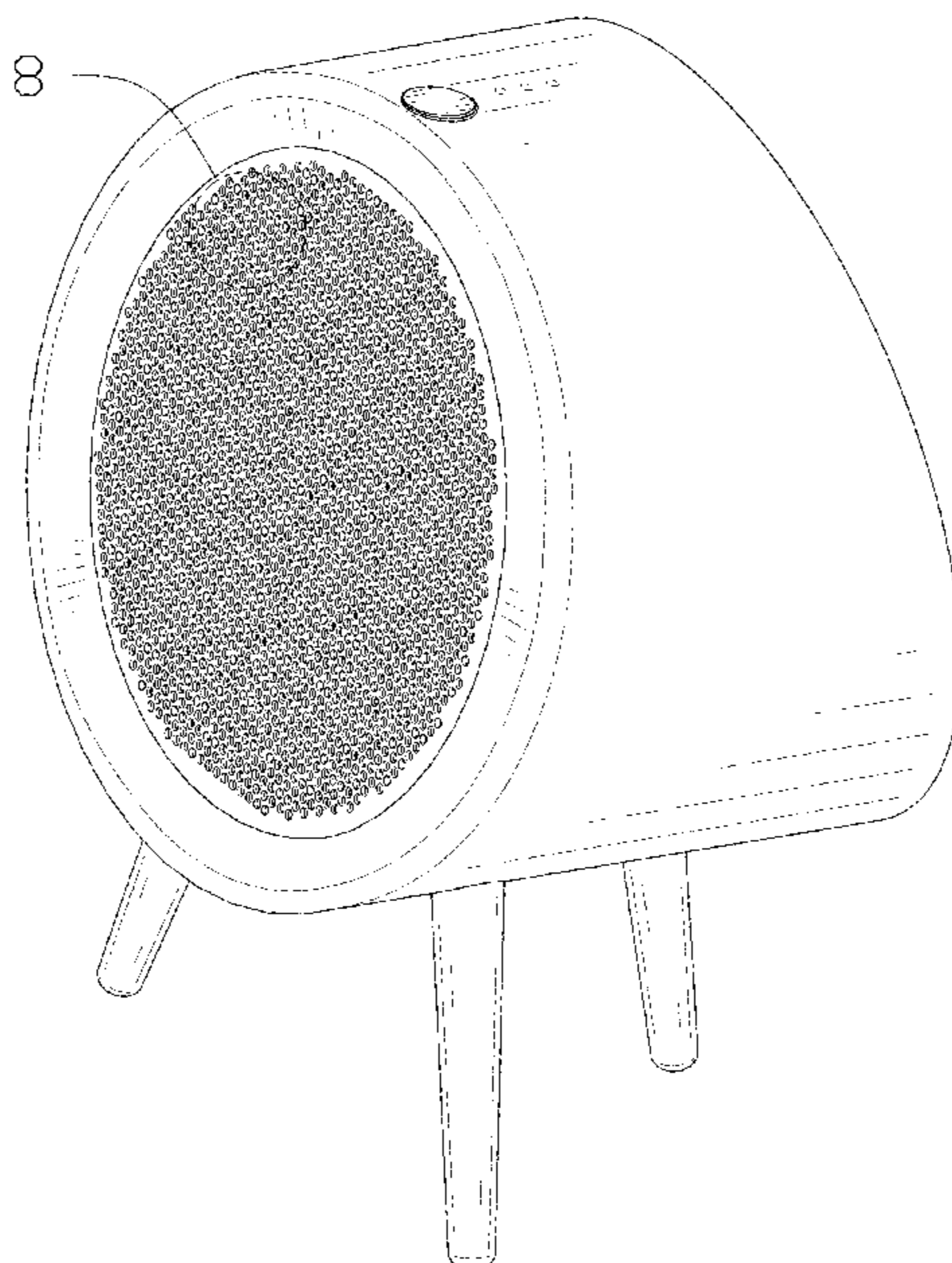
(57) **CLAIM**

The ornamental design for a cooling and heating fan, as shown and described.

DESCRIPTION

FIG. 1 is a perspective view of a cooling and heating fan, showing my design;
FIG. 2 is a front elevation view thereof;
FIG. 3 is a rear elevation view thereof;
FIG. 4 is a left side elevation view thereof;
FIG. 5 is a right side elevation view thereof;
FIG. 6 is a top plan view thereof;
FIG. 7 is a bottom plan view thereof;
FIG. 8 is an enlarged view of design features comprised within a circle 8 in FIG. 1; and
FIG. 9 is an enlarged view of design features comprised within a circle 9 in FIG. 6; and,
FIG. 10 is an enlarged view of design features comprised within a circle 10 in FIG. 5.
The details shown in broken lines form no part of the claimed design.

1 Claim, 10 Drawing Sheets



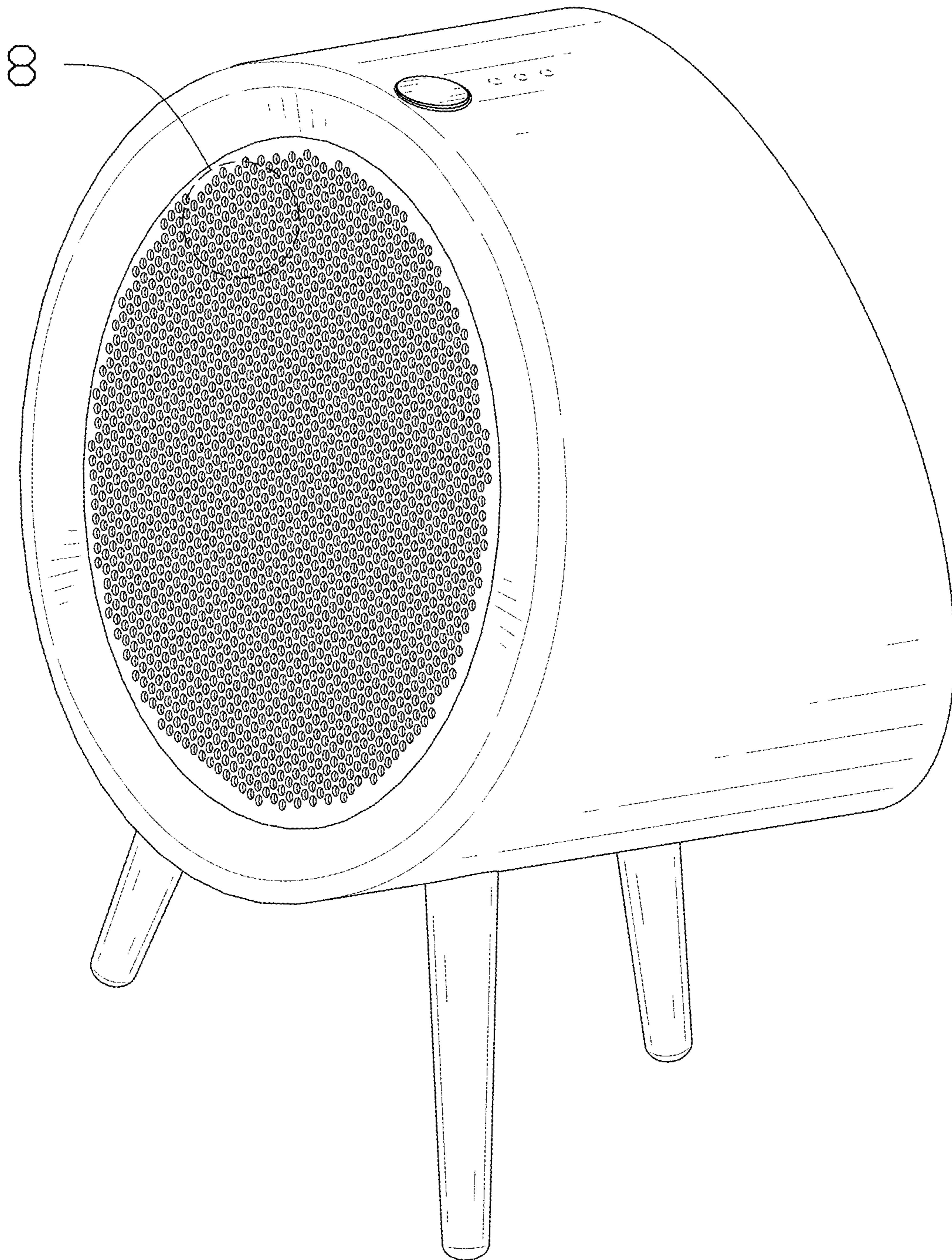


FIG. 1

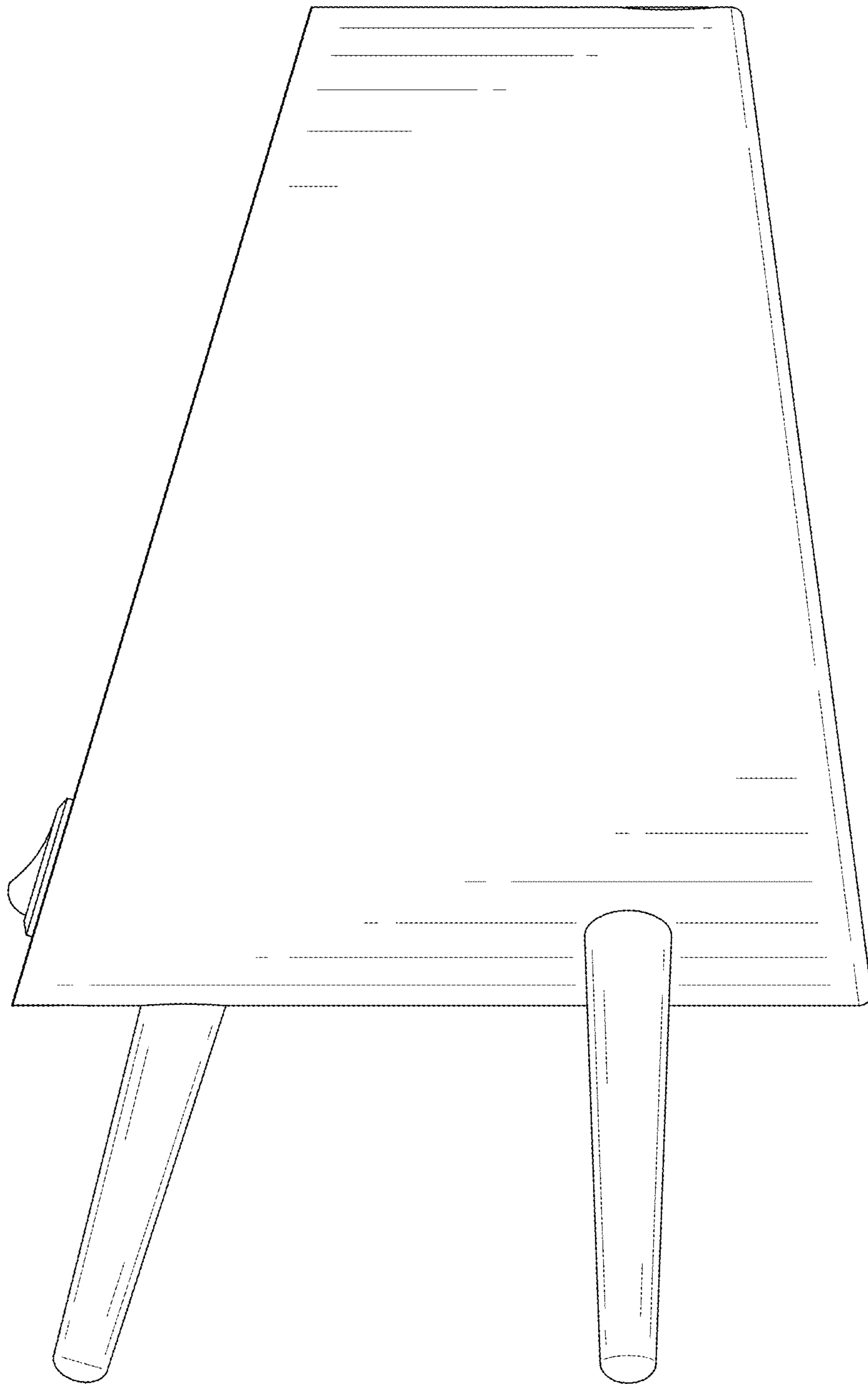


FIG. 2

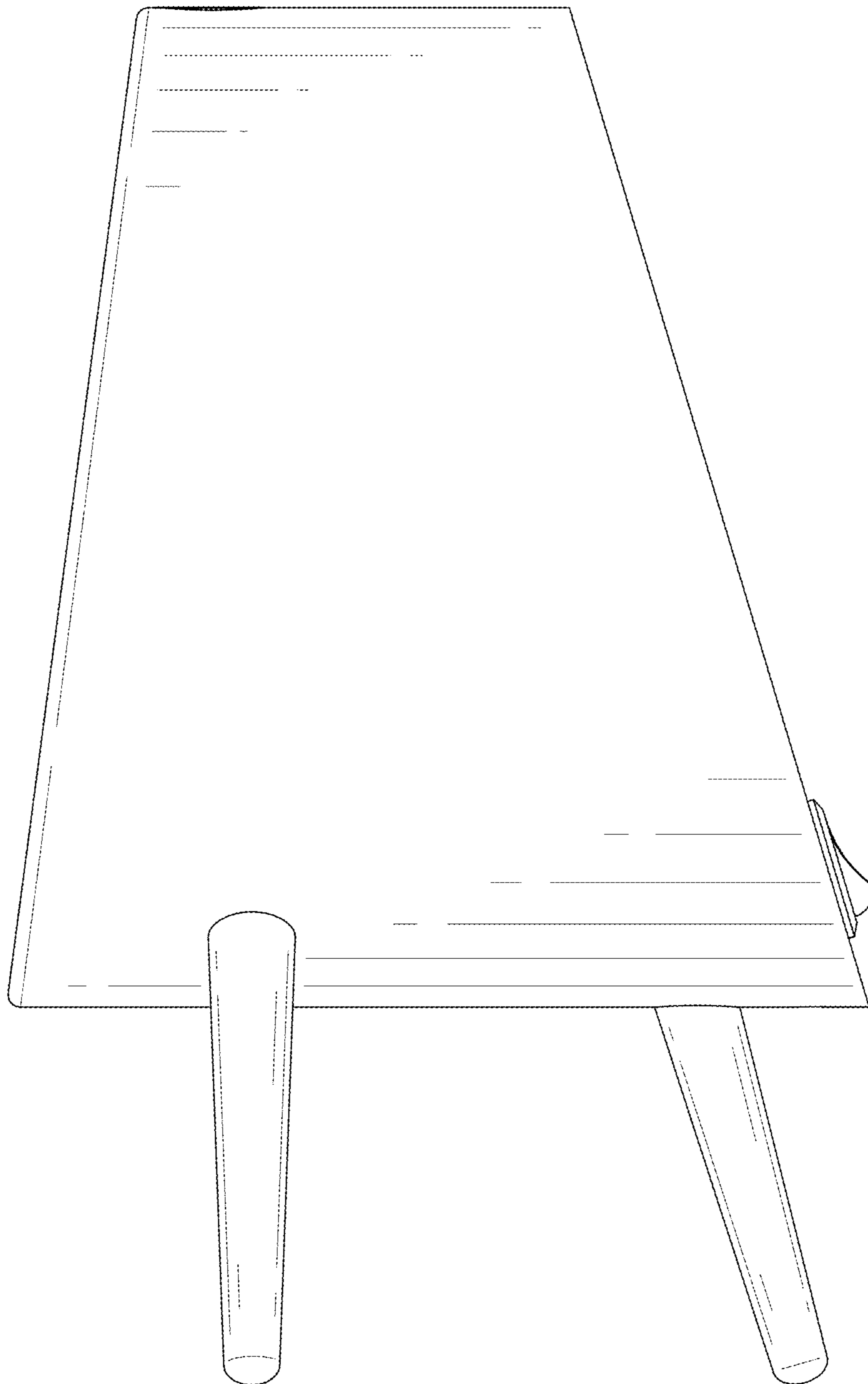


FIG. 3

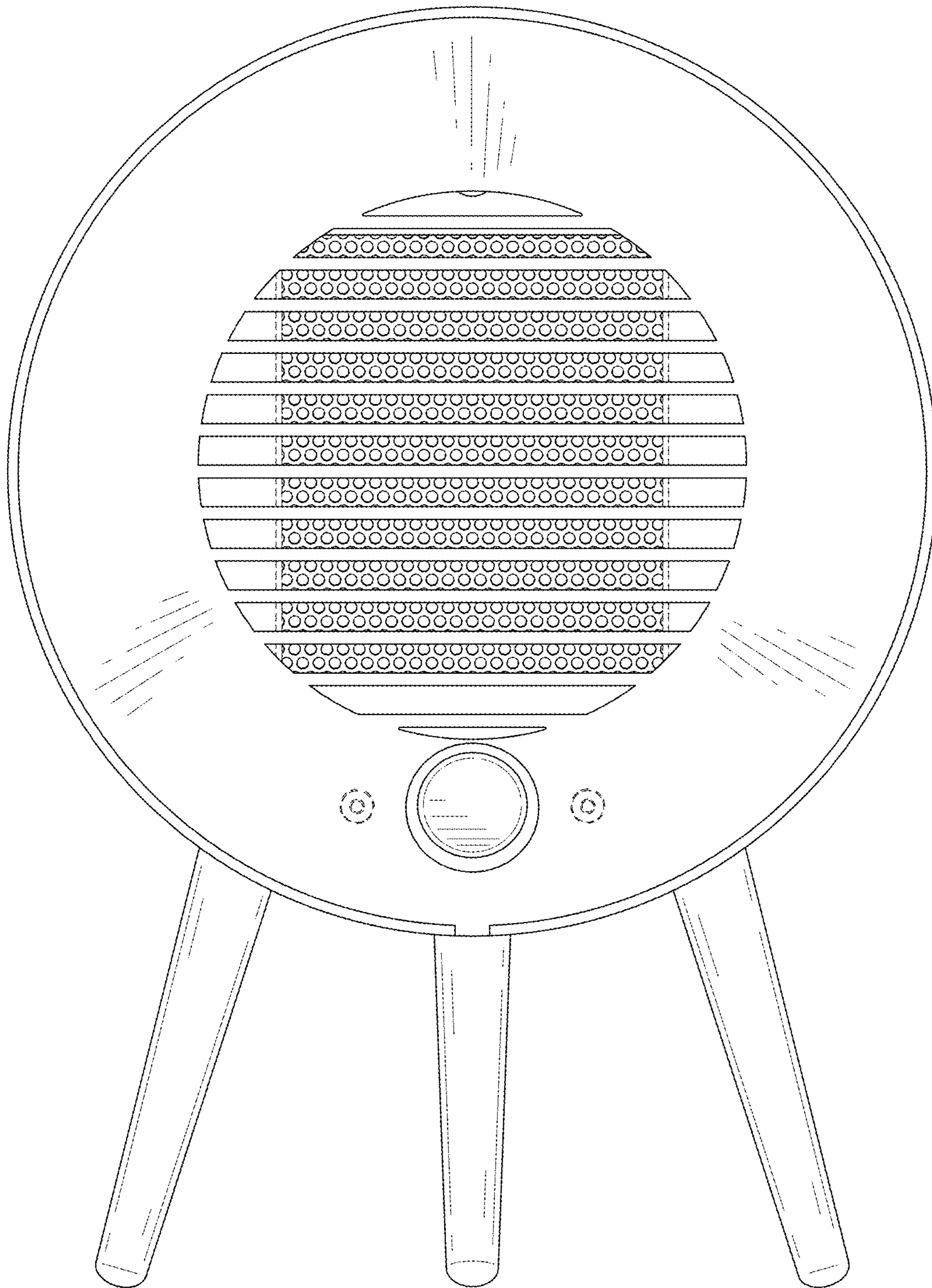


FIG. 4

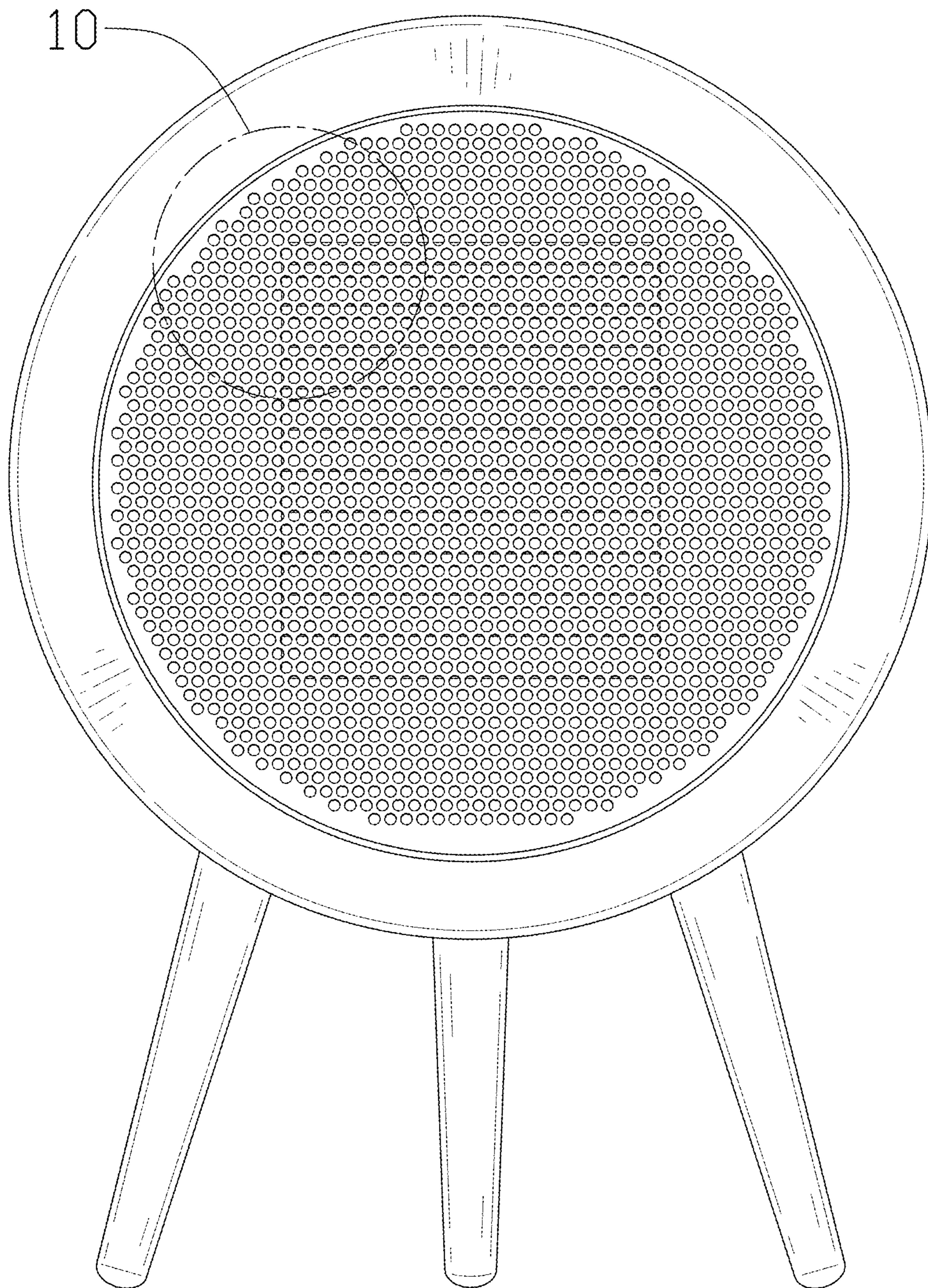


FIG. 5

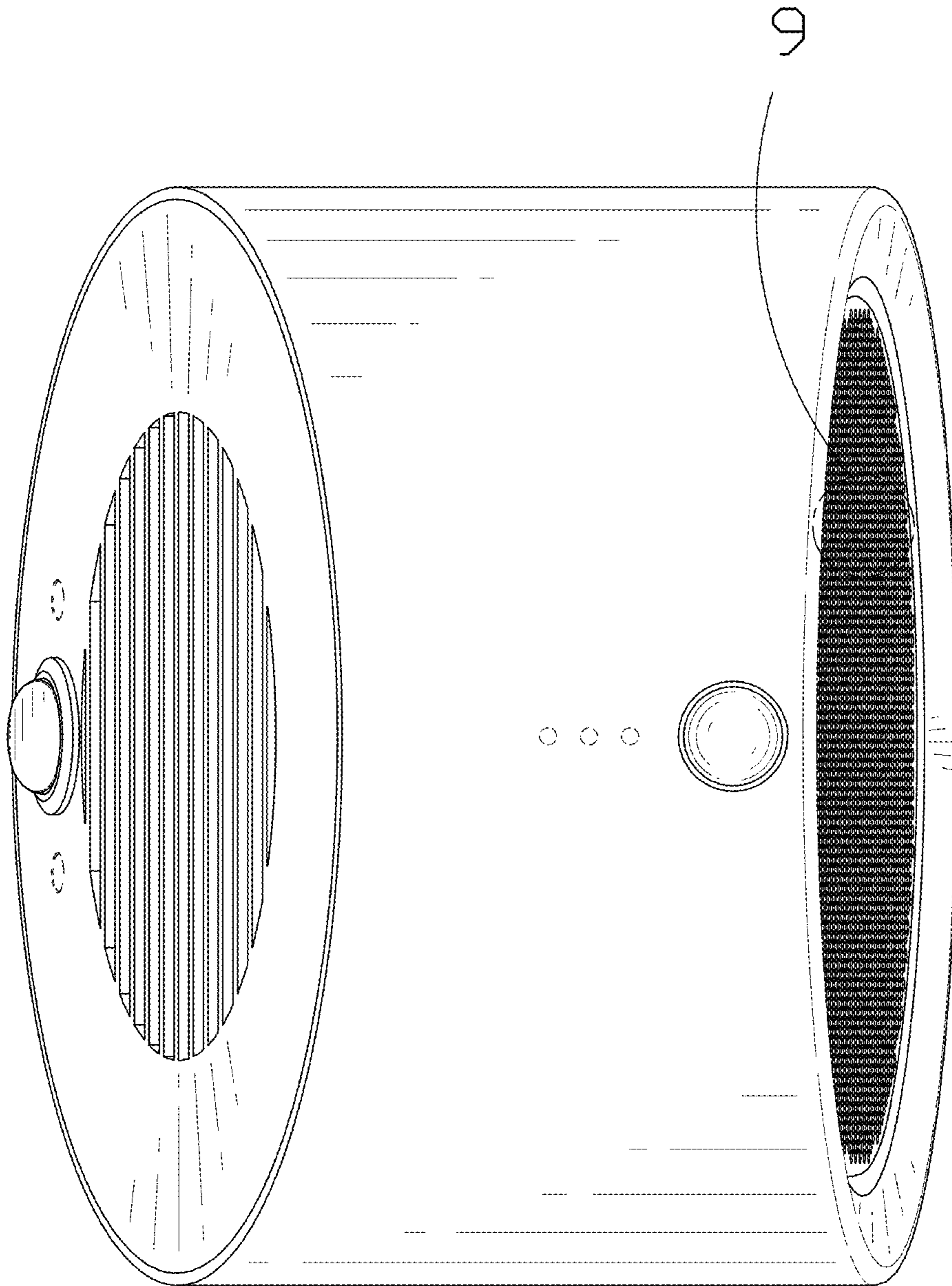


FIG. 6

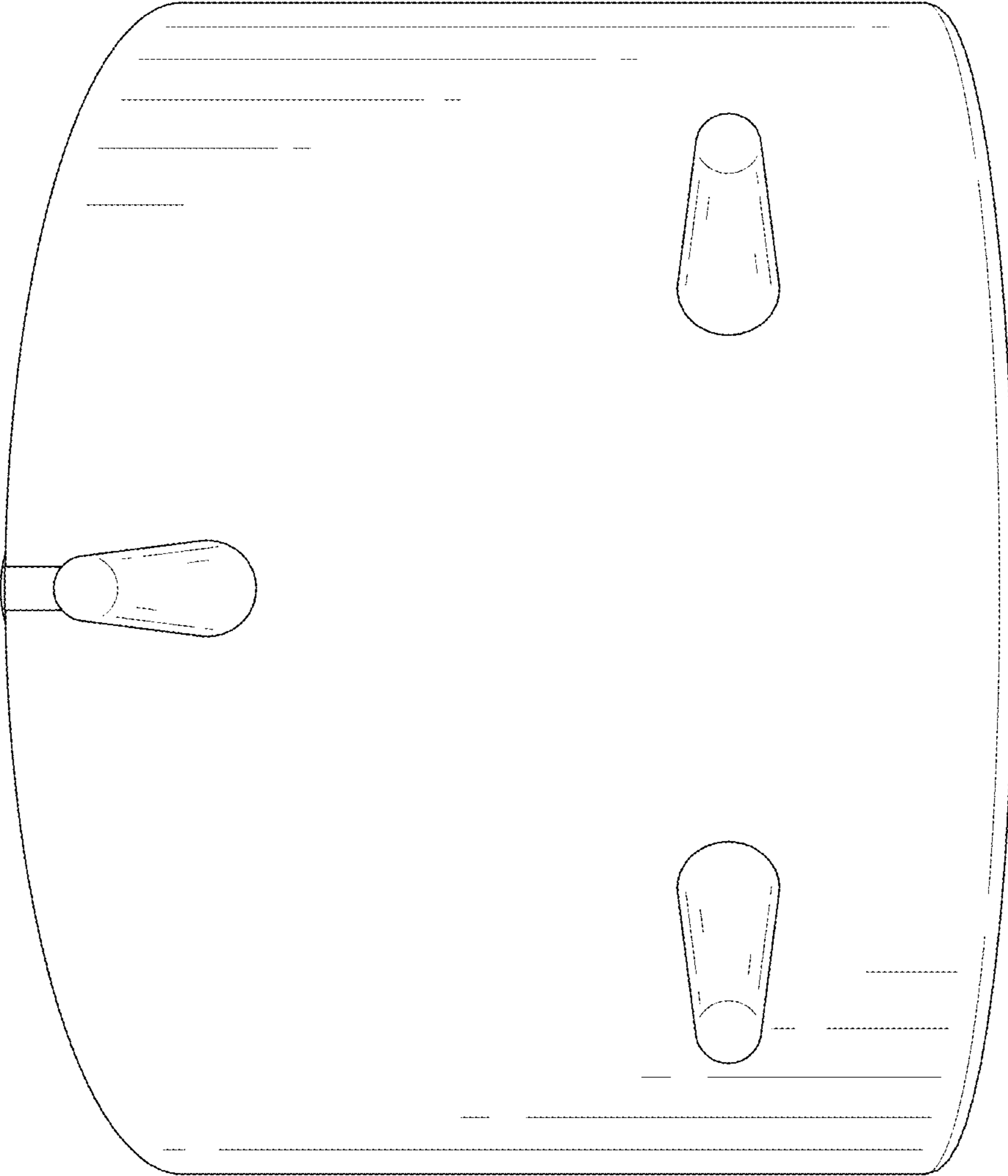


FIG. 7

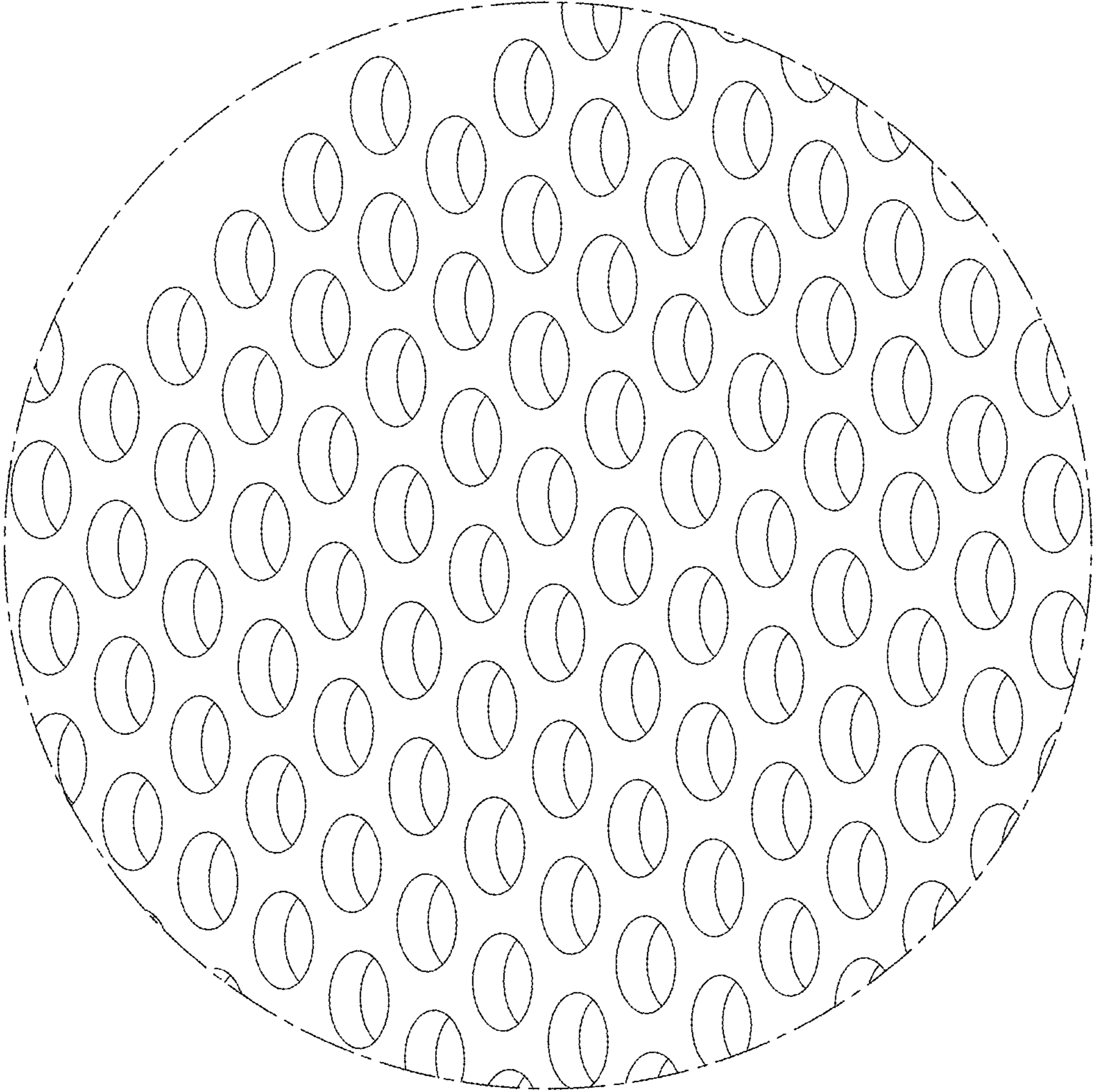


FIG. 8

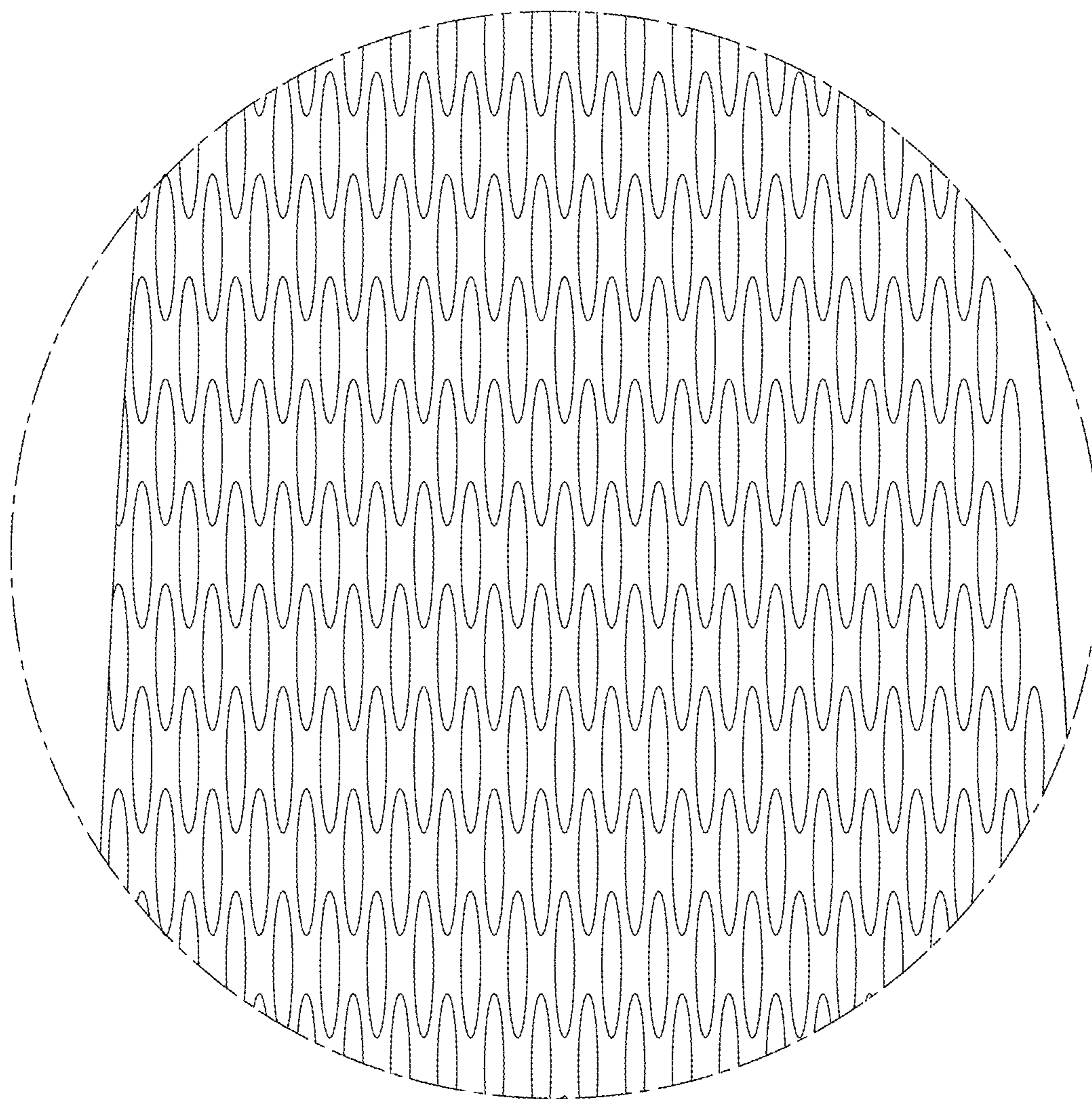


FIG. 9

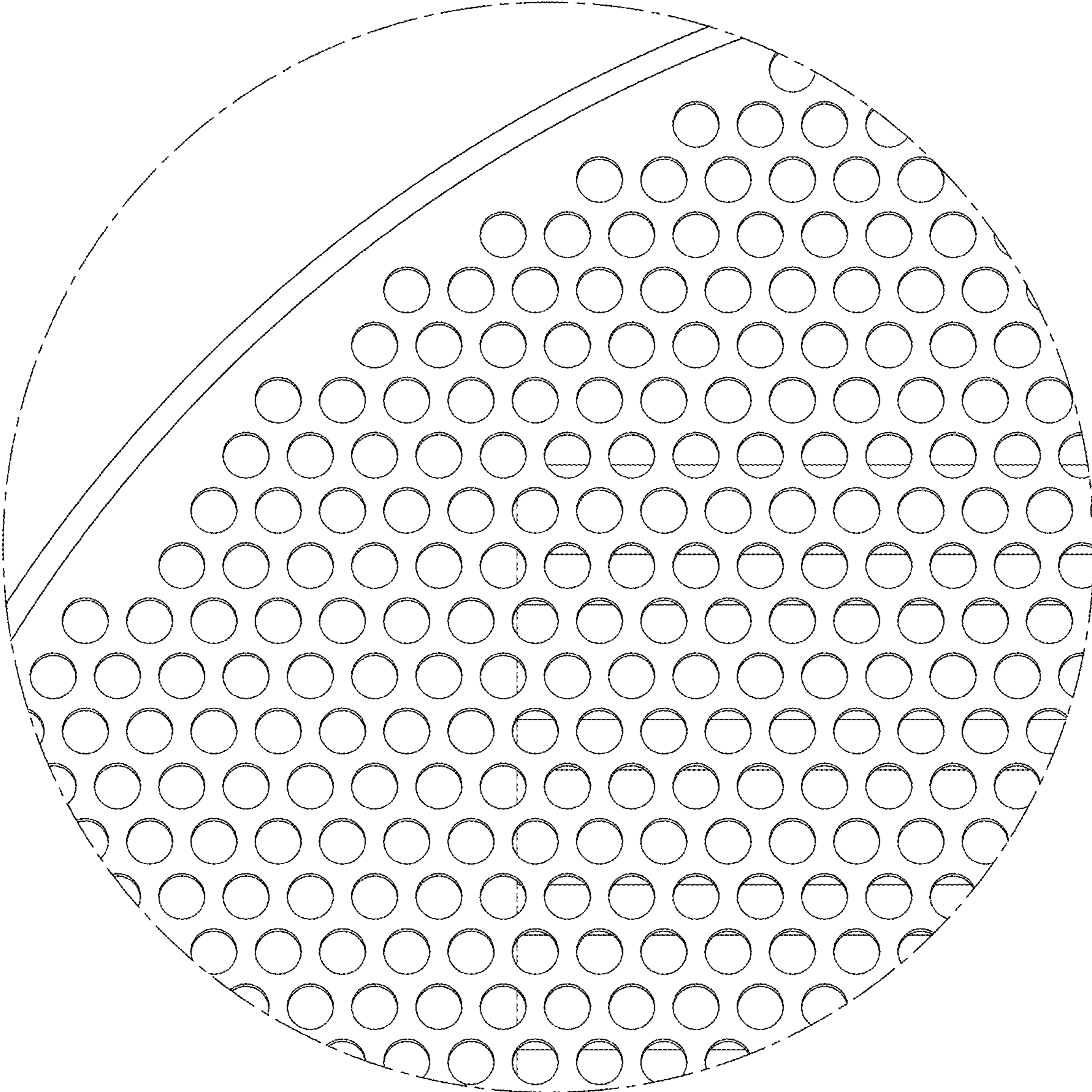


FIG. 10