



US00D881362S

(12) **United States Design Patent**  
**Songjie**

(10) **Patent No.:** **US D881,362 S**

(45) **Date of Patent:** **\*\* Apr. 14, 2020**

(54) **TOILET**

D657,031 S \* 4/2012 Bickerstaffe ..... D23/313  
D807,479 S \* 1/2018 Chuk ..... D23/301  
D825,041 S \* 8/2018 Mesun ..... D23/309

(71) Applicant: **BATH-TECH INDUSTRIAL CO., LTD.**, Beijing (CN)

\* cited by examiner

(72) Inventor: **Shi Songjie**, Beijing (CN)

*Primary Examiner* — Robert A Delehanty

(\*\*) Term: **15 Years**

(74) *Attorney, Agent, or Firm* — Keith Swedo

(21) Appl. No.: **29/660,231**

(57) **CLAIM**

(22) Filed: **Aug. 20, 2018**

I claim the ornamental design for a toilet, as shown and described.

(51) **LOC (12) Cl.** ..... **23-02**

(52) **U.S. Cl.**  
USPC ..... **D23/301**

(58) **Field of Classification Search**  
USPC ..... D23/295, 301, 309, 313  
CPC .. E03D 1/00; E03D 1/01; E03D 1/012; E03D 1/04; E03D 1/06; E03D 1/08; E03D 1/28; E03D 1/13; E03D 2201/30; E03D 11/08; E03D 11/18; E03D 13/00; D03D 5/10; A47K 11/00

See application file for complete search history.

**DESCRIPTION**

FIG. 1 is a perspective view of an embodiment of the claimed design.

FIG. 2 is a front view of the embodiment of FIG. 1.

FIG. 3 is a rear view of the embodiment of FIG. 1.

FIG. 4 is a top view of the embodiment of FIG. 1.

FIG. 5 is a bottom view of the embodiment of FIG. 1.

FIG. 6 is a left view of the embodiment of FIG. 1; and,

FIG. 7 is a right view of the embodiment of FIG. 1.

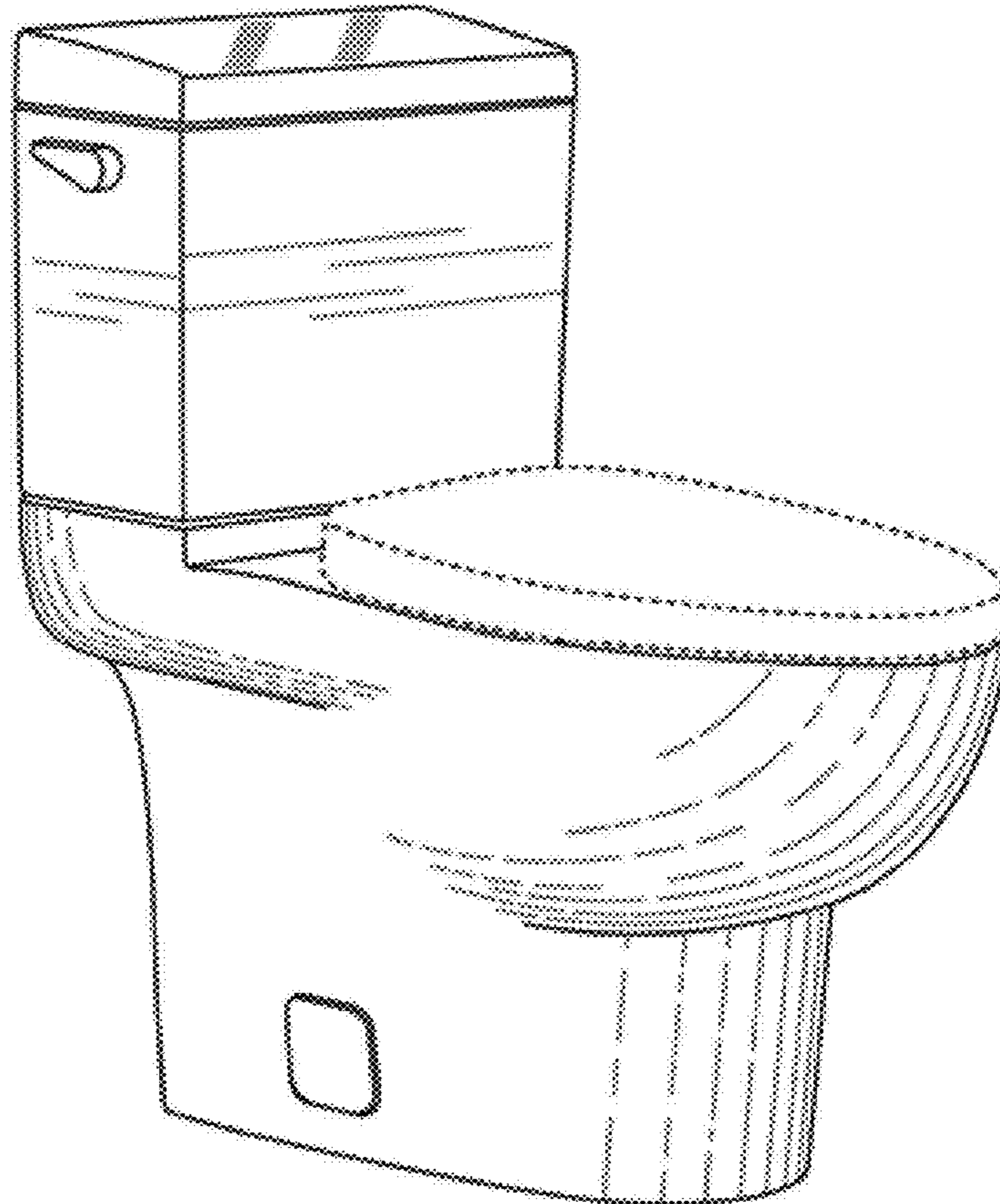
The ornamental design which is claimed is shown in solid lines in the drawings. The broken lines in the drawings form no part of the claimed design. Broken lines formed by equal length dashes show unclaimed subject matter.

(56) **References Cited**

**U.S. PATENT DOCUMENTS**

2,099,932 A \* 11/1937 Isaacson ..... A47K 17/00  
4/353  
D582,530 S \* 12/2008 Cummings ..... D23/301

**1 Claim, 3 Drawing Sheets**



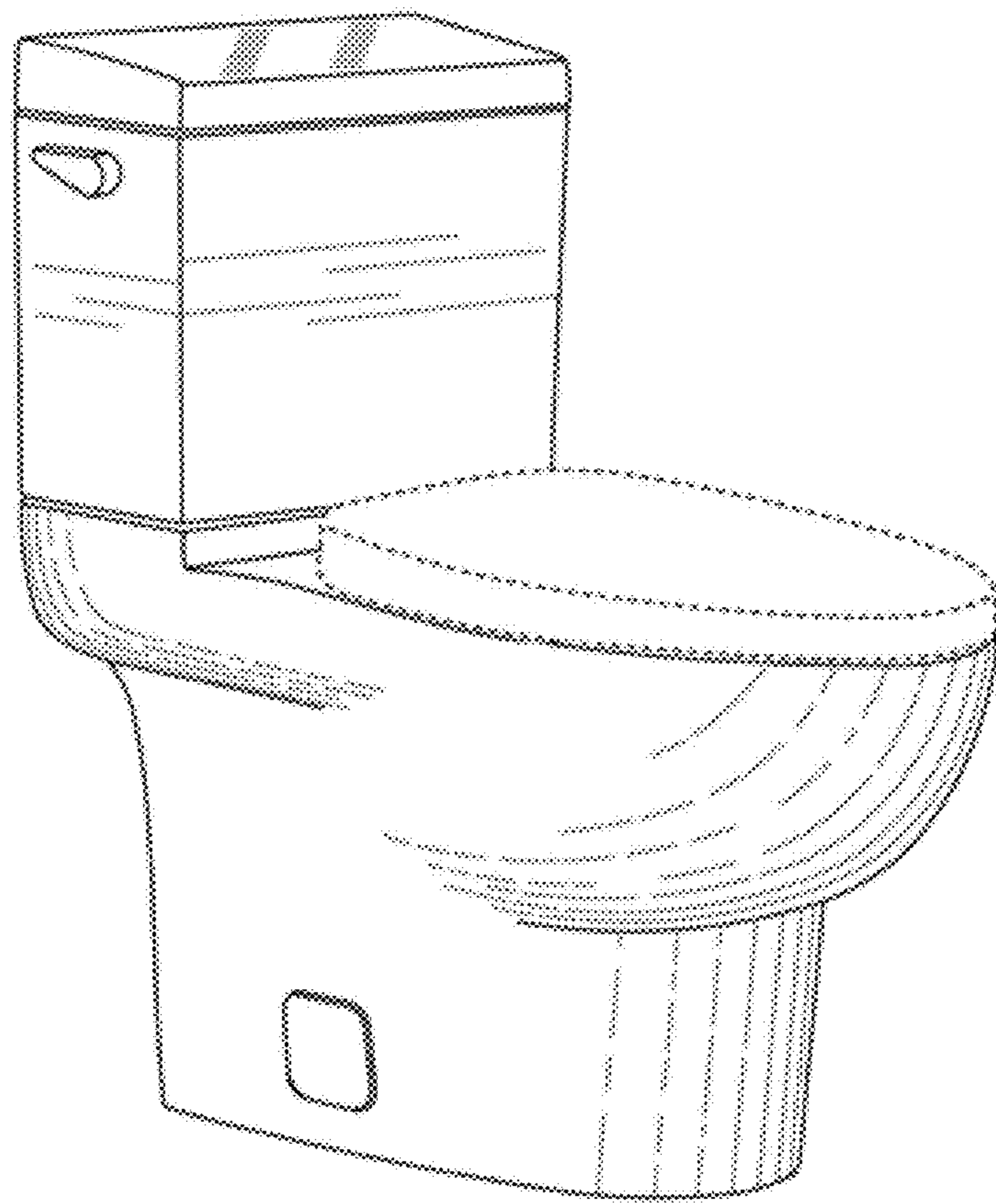


FIG. 1

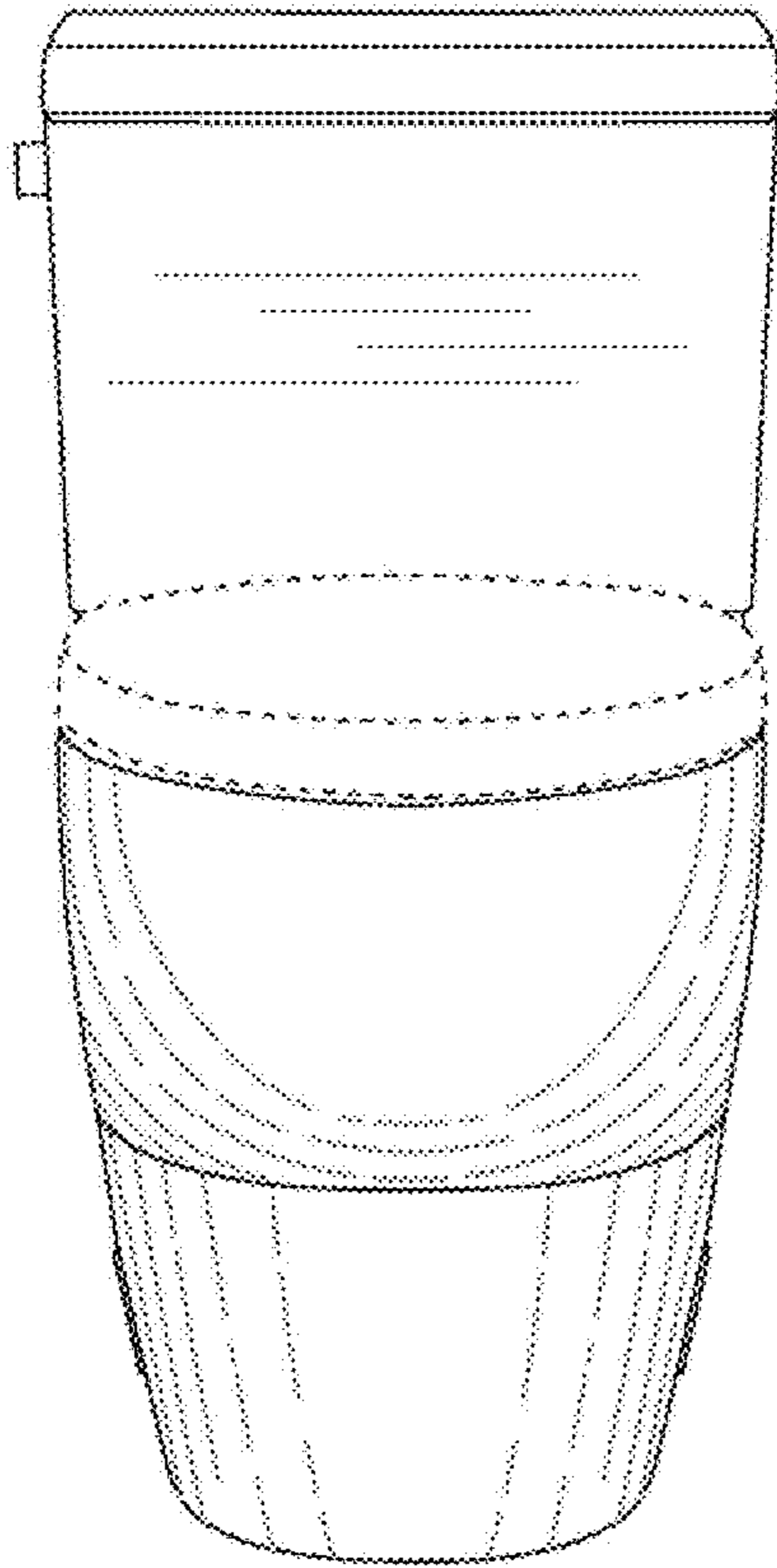


FIG. 2

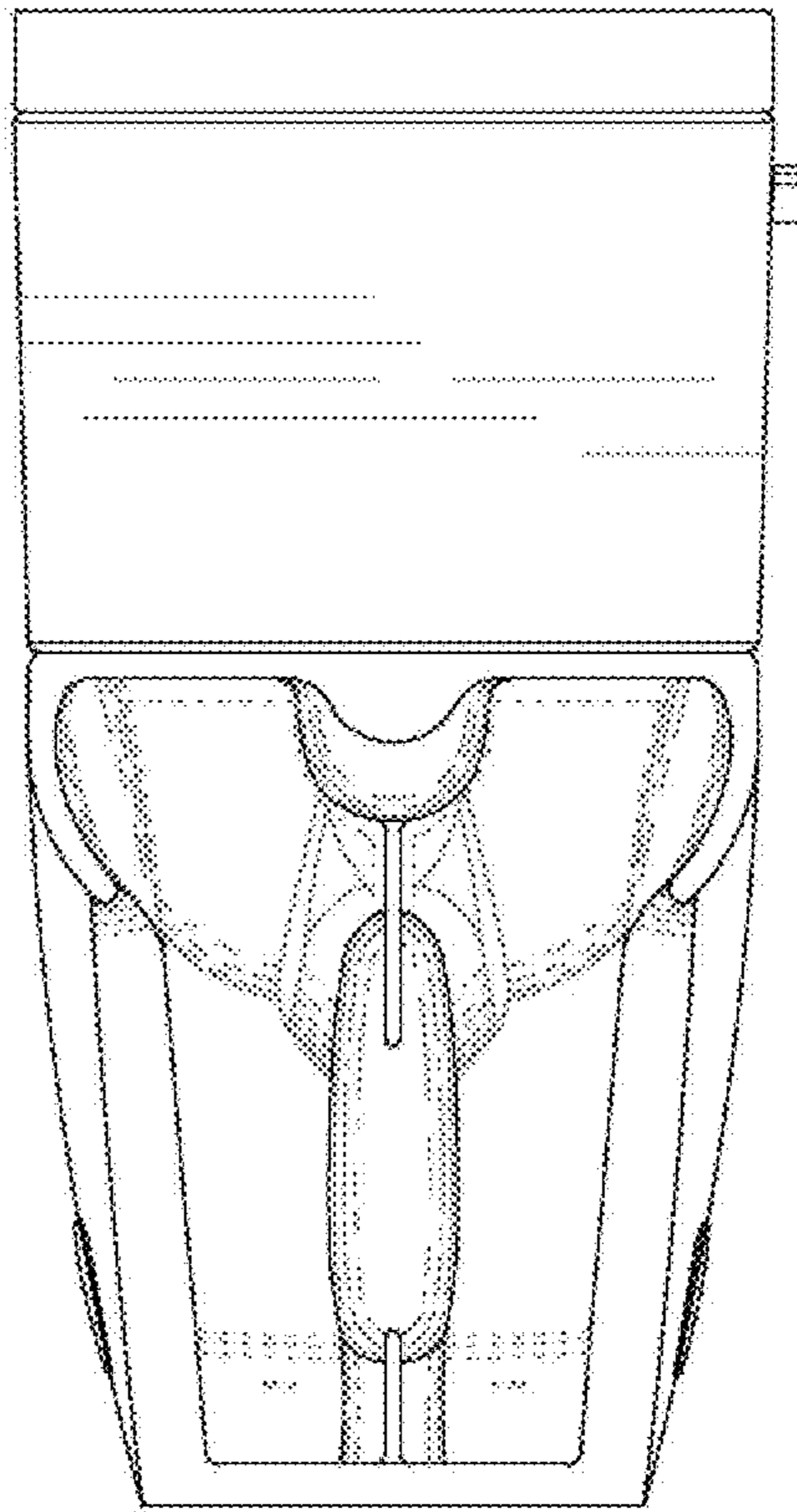


FIG. 3

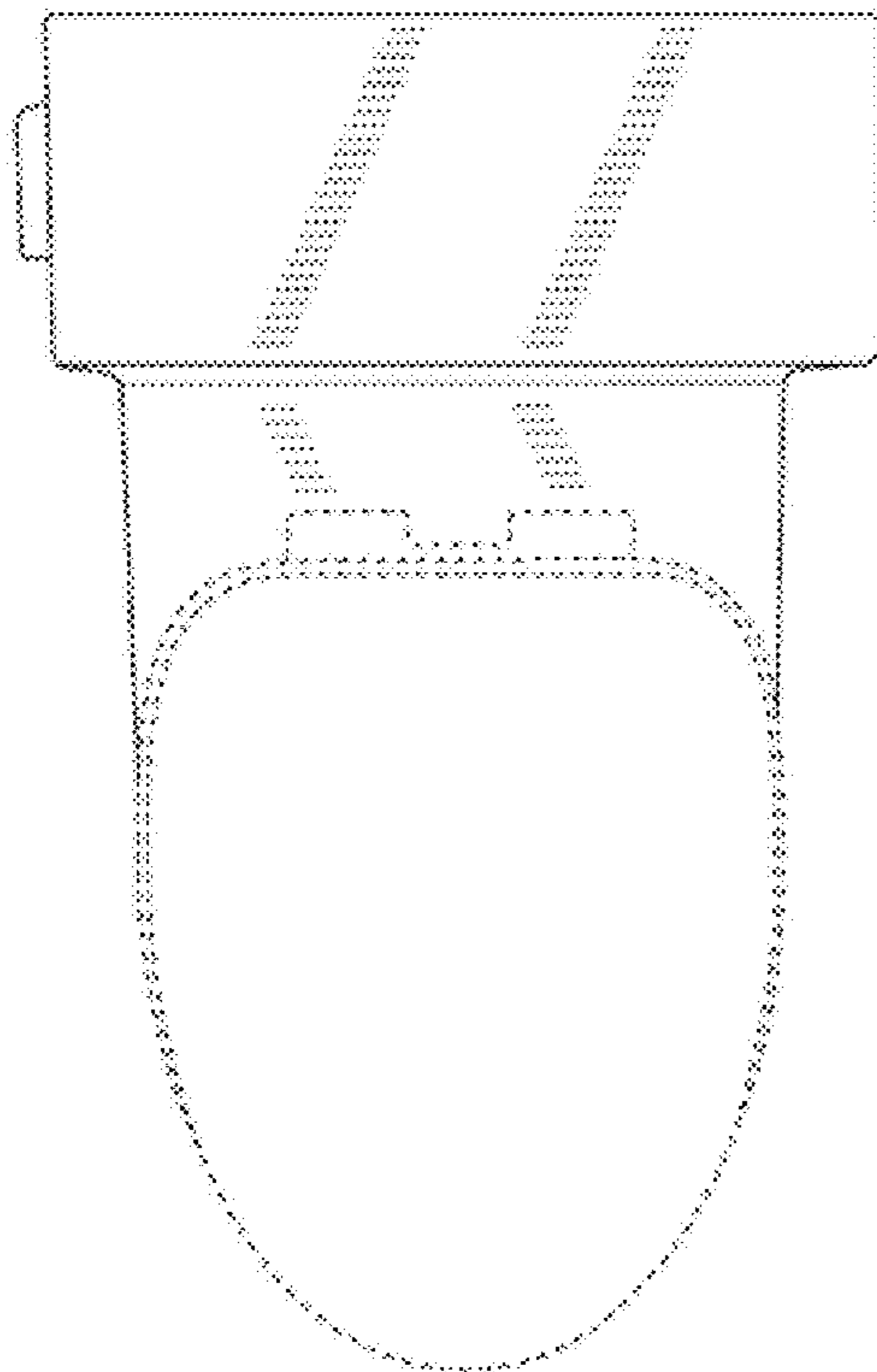


FIG. 4

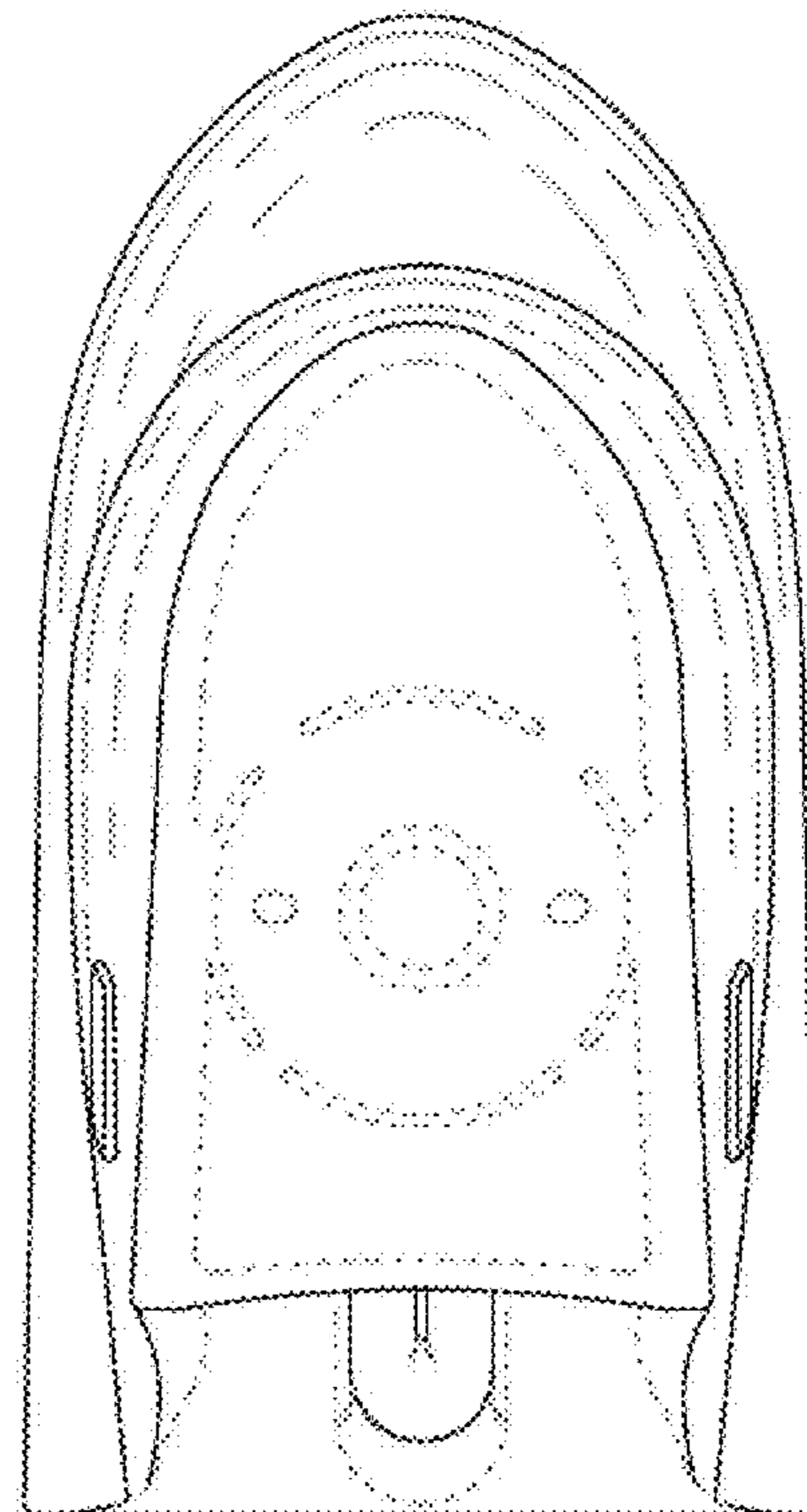


FIG. 5

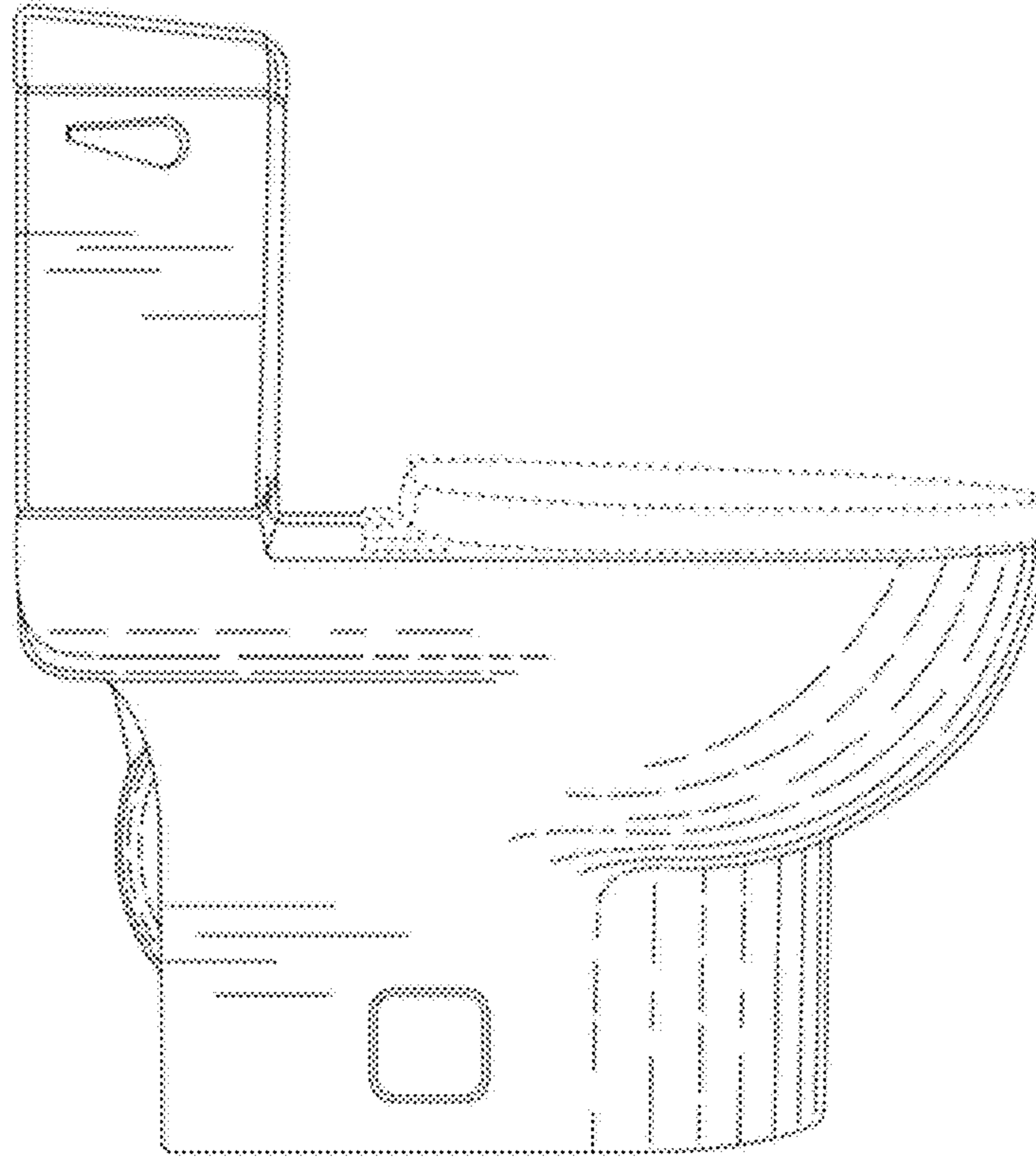


FIG. 6

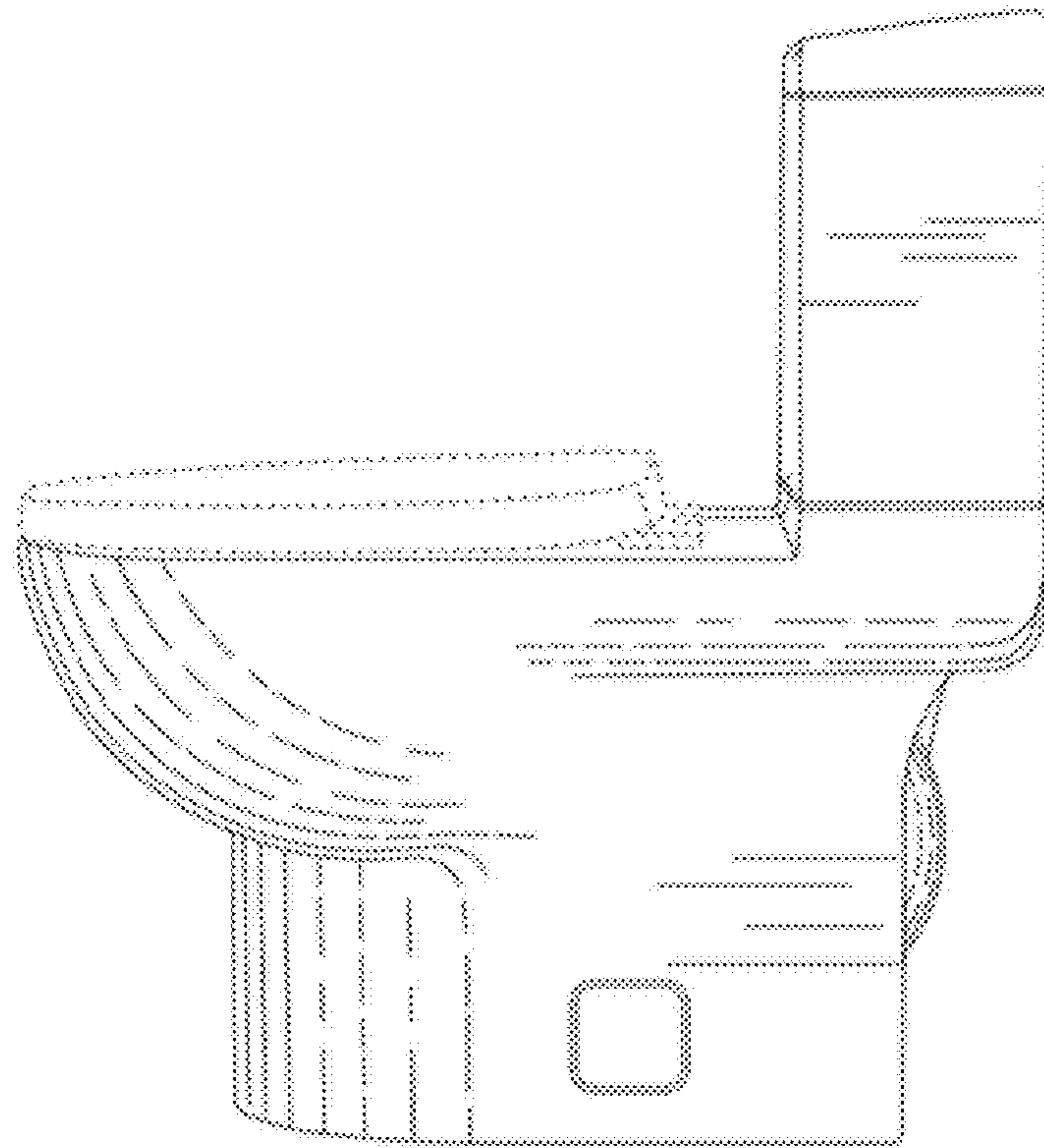


FIG. 7