



US00D881361S

(12) **United States Design Patent**  
**Kergoet**

(10) **Patent No.:** **US D881,361 S**

(45) **Date of Patent:** **\*\* Apr. 14, 2020**

- (54) **BIDET**
- (71) Applicant: **Kohler Co.**, Kohler, WI (US)
- (72) Inventor: **Francois Kergoet**, Malakoff (FR)
- (73) Assignee: **KOHLER CO.**, Kohler, WI (US)
- (\*\*) Term: **15 Years**
- (21) Appl. No.: **29/701,179**
- (22) Filed: **Aug. 8, 2019**

- D556,871 S \* 12/2007 Lin ..... D23/295
- D586,895 S \* 2/2009 Kergoet ..... D23/295
- D601,233 S 9/2009 Kergoet
- D603,028 S \* 10/2009 Kergoet ..... D23/295
- D606,178 S \* 12/2009 Cummings ..... D23/295
- D622,827 S \* 8/2010 Soulier ..... D23/295
- D624,996 S \* 10/2010 Schonherr ..... D23/300
- D637,702 S 5/2011 Rexach
- D659,811 S 5/2012 Licini
- D663,391 S \* 7/2012 Iranyi ..... D23/295
- D667,940 S 9/2012 Licini
- D688,354 S \* 8/2013 Moore ..... D23/295
- D694,378 S 11/2013 Bates
- D694,379 S 11/2013 Bates

(Continued)

**Related U.S. Application Data**

- (62) Division of application No. 29/640,131, filed on Mar. 12, 2018, now Pat. No. Des. 860,417, which is a division of application No. 29/576,678, filed on Sep. 6, 2016, now Pat. No. Des. 812,728.

**Foreign Application Priority Data**

- Mar. 9, 2016 (EM) ..... 003021922
- (51) **LOC (12) Cl.** ..... **23-02**
- (52) **U.S. Cl.**  
USPC ..... **D23/295**
- (58) **Field of Classification Search**  
USPC ..... D23/295-301, 303, 309, 311-313  
CPC ..... A47K 11/02; A47K 11/026; A47K 11/00;  
A47K 13/00; E03D 11/18; E03D 5/10;  
E03D 13/00  
See application file for complete search history.

**References Cited**

**U.S. PATENT DOCUMENTS**

- D337,376 S 7/1993 Spangler
- D455,477 S 4/2002 Soulier
- D508,984 S 8/2005 Gordon
- D536,771 S 2/2007 Chensesseau
- D538,410 S 3/2007 Chensesseau

*Primary Examiner* — Brandon M Rosati

*Assistant Examiner* — John A Voytek

(74) *Attorney, Agent, or Firm* — Foley & Lardner LLP

(57) **CLAIM**

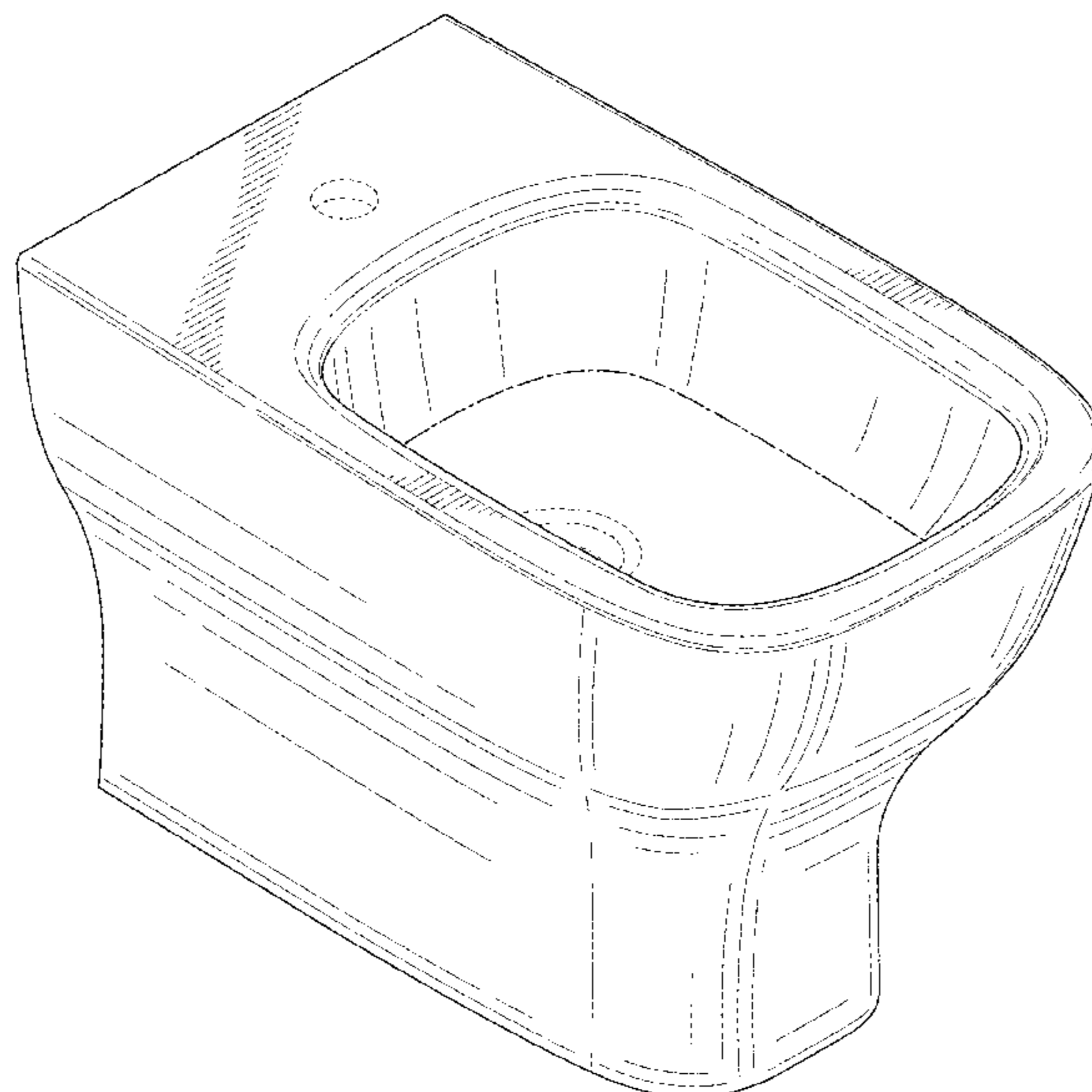
I claim the ornamental design for a bidet, as shown and described.

**DESCRIPTION**

FIG. 1 is a top, front, left perspective view of an embodiment of the claimed design;  
 FIG. 2 is a left side elevation view thereof;  
 FIG. 3 is a right side elevation view thereof;  
 FIG. 4 is a rear elevation view thereof;  
 FIG. 5 is a front elevation view thereof;  
 FIG. 6 is a top plan view thereof; and,  
 FIG. 7 is a bottom plan view thereof.

The ornamental design which is claimed is shown in solid lines in the drawings. The broken lines in the drawings are for illustrative purposes only and form no part of the claimed design. Broken lines formed by equal length dashes in the drawings illustrate unclaimed portions of the design. Broken lines formed of unequal length dashes (i.e., dash-dot) show boundaries between claimed and unclaimed portions of the design.

**1 Claim, 7 Drawing Sheets**



(56)

**References Cited**

U.S. PATENT DOCUMENTS

D695,384 S	12/2013	Bates	
D700,686 S	3/2014	Spangler	
D770,020 S	10/2016	Lilly	
D798,424 S *	9/2017	Mesun .....	D23/301
D801,490 S *	10/2017	Stevenson .....	D23/295
D801,491 S *	10/2017	Stevenson .....	D23/300
D802,105 S *	11/2017	Stevenson .....	D23/301
D802,106 S *	11/2017	Stevenson .....	D23/301
D827,113 S *	8/2018	Stevenson .....	D23/309
D828,525 S *	9/2018	Cummings .....	D23/295
D829,870 S *	10/2018	Cummings .....	D23/295

\* cited by examiner

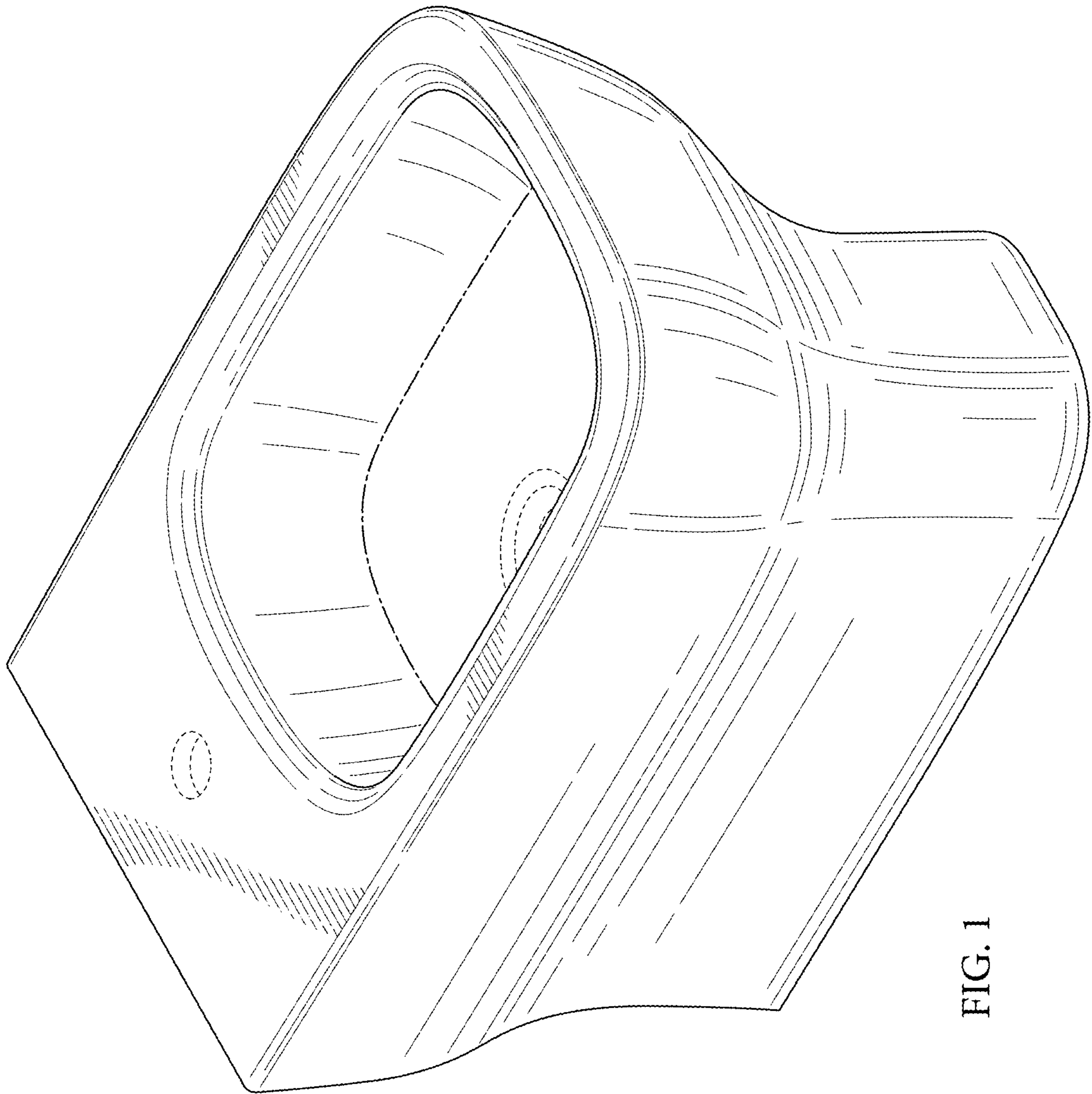


FIG. 1



FIG. 2

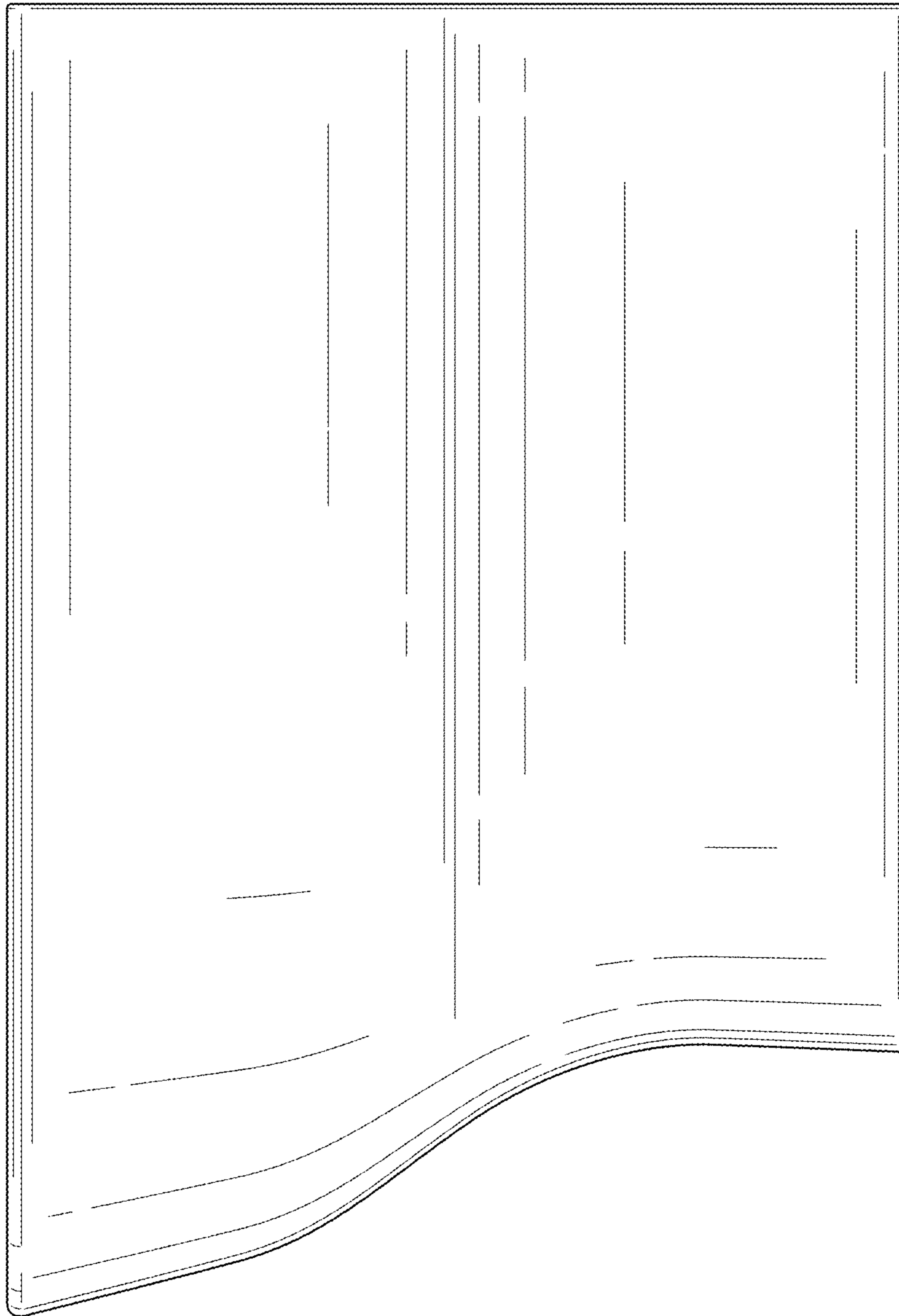


FIG. 3

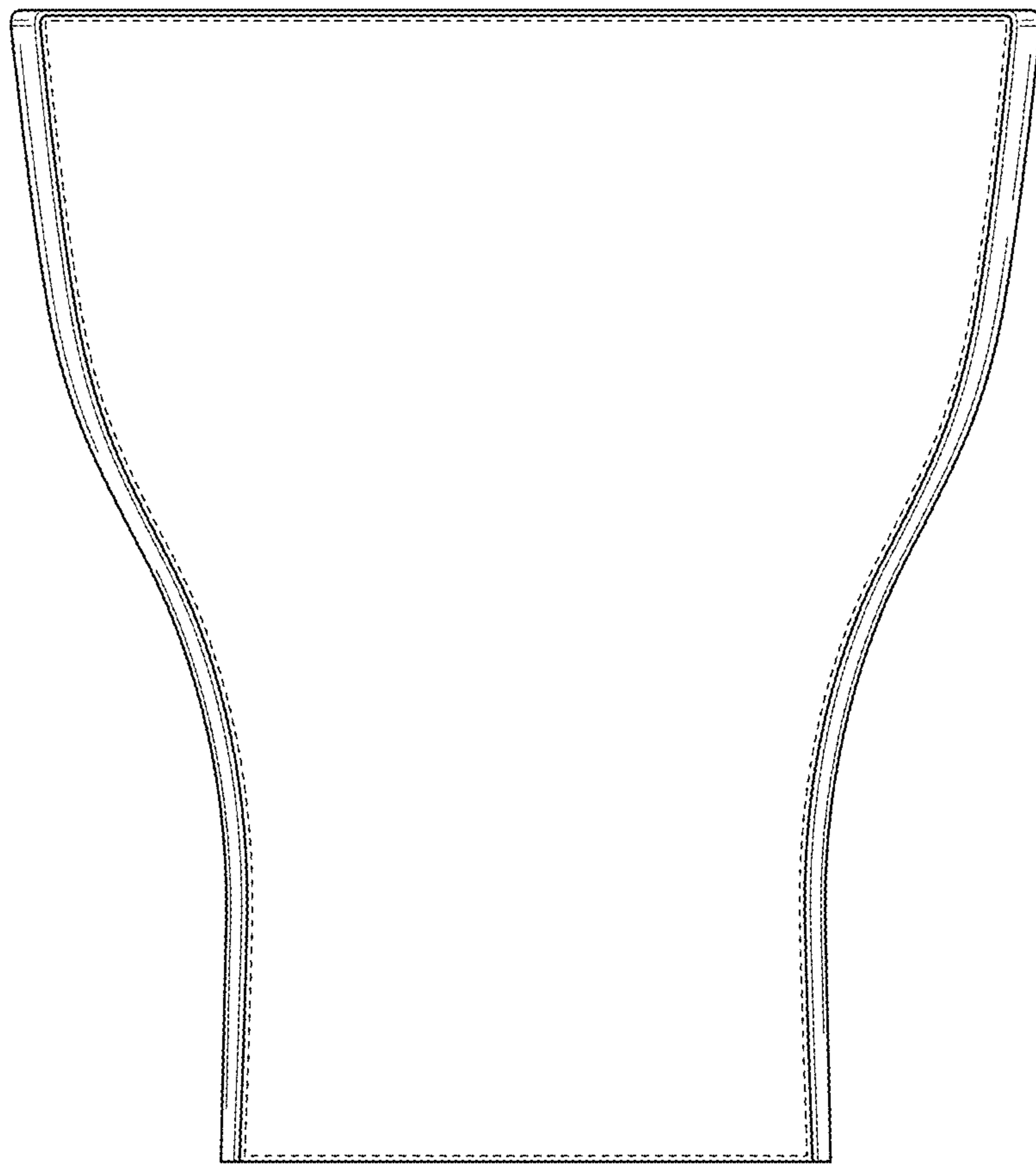


FIG. 4

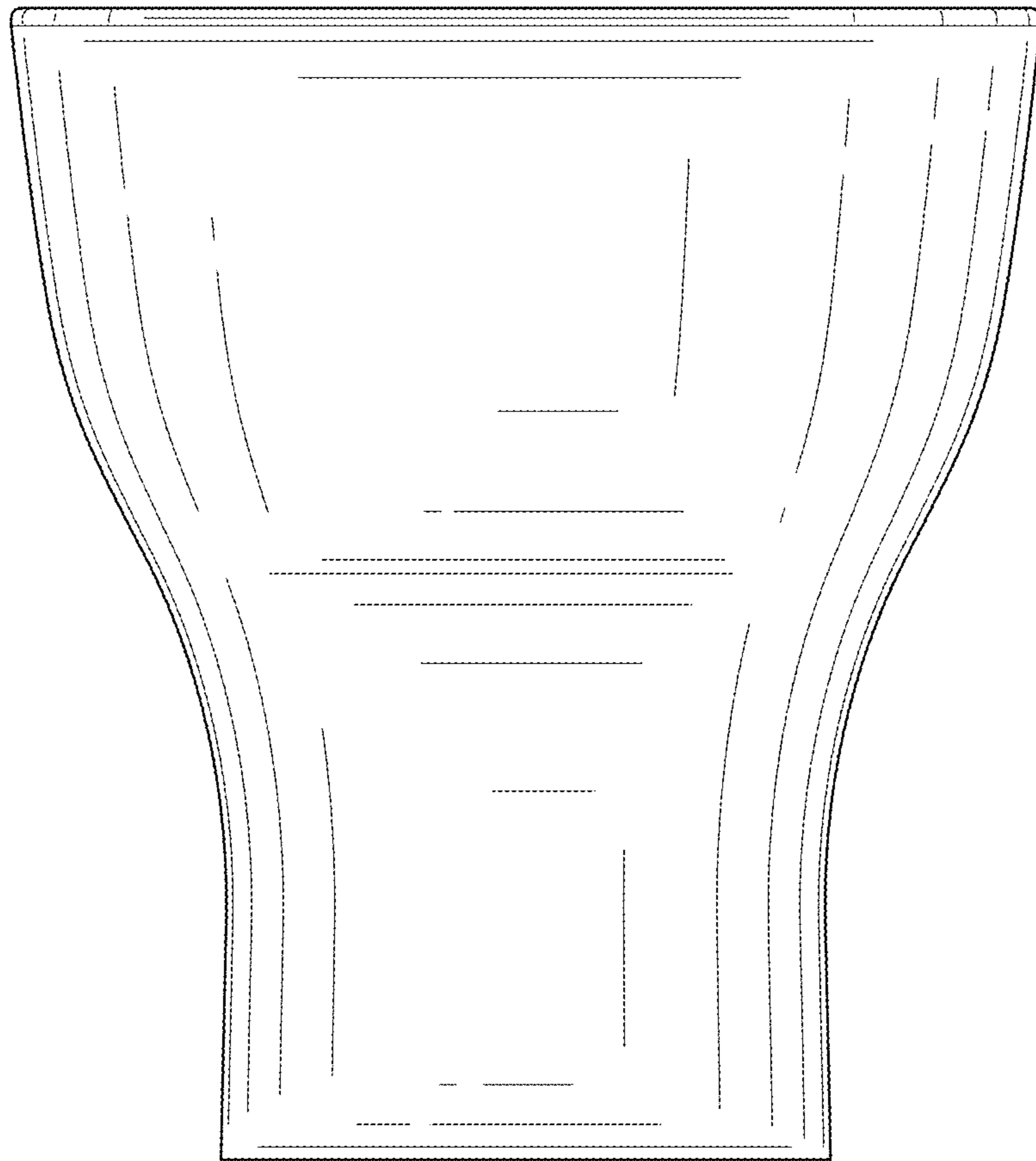


FIG. 5

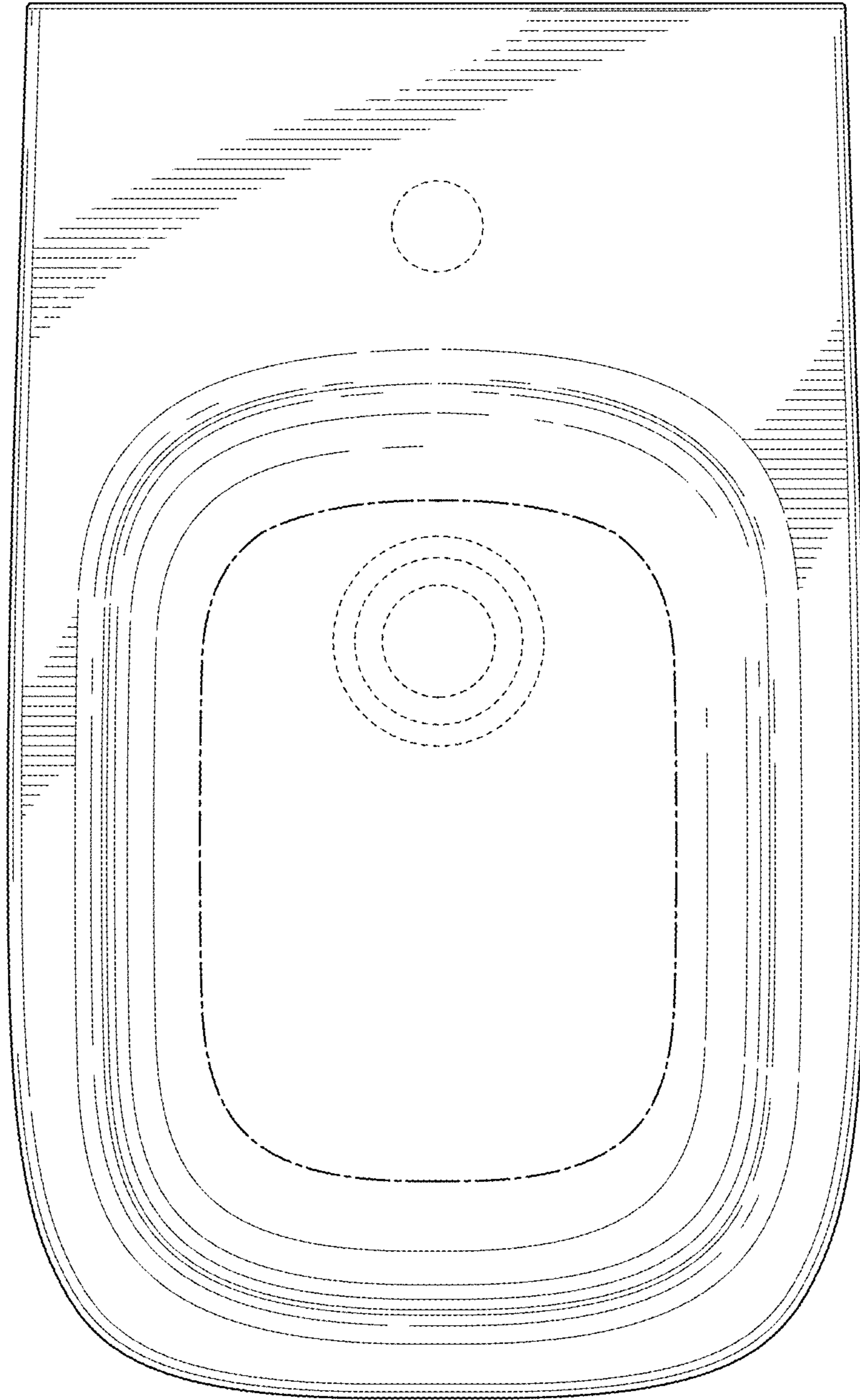


FIG. 6



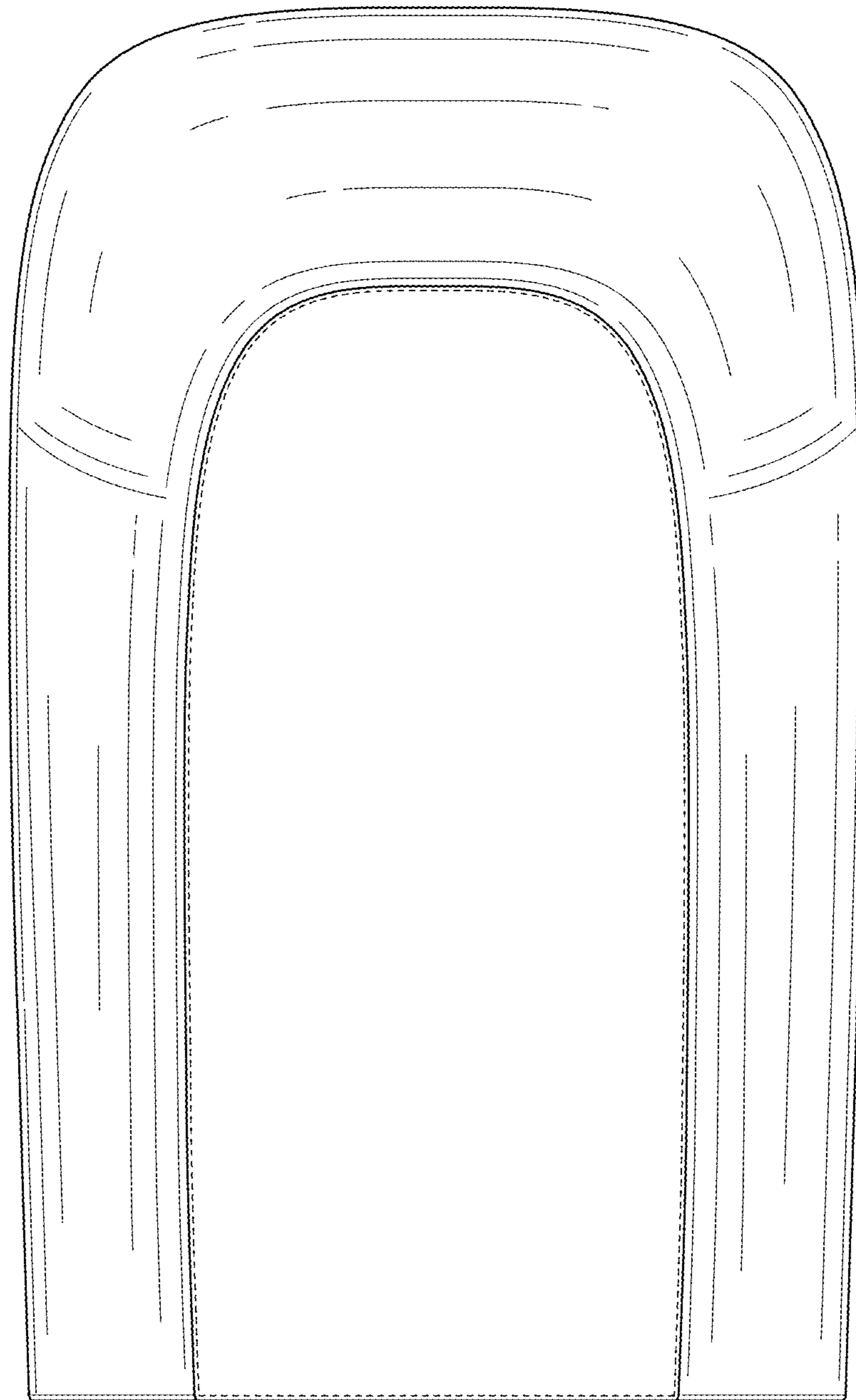


FIG. 7