



US00D881360S

(12) **United States Design Patent** (10) **Patent No.:** **US D881,360 S**
Kluck et al. (45) **Date of Patent:** **** Apr. 14, 2020**

(54) **LAVATORY BASIN**

(71) Applicant: **Bradley Corporation**, Menomonee Falls, WI (US)

(72) Inventors: **Scott Michael Kluck**, Mequon, WI (US); **William L. Haas**, Richfield, WI (US)

(73) Assignee: **Bradley Fixtures Corporation**, Menomonee Falls, WI (US)

(**) Term: **15 Years**

(21) Appl. No.: **29/681,155**

(22) Filed: **Feb. 22, 2019**

Related U.S. Application Data

(60) Division of application No. 29/607,055, filed on Jun. 9, 2017, now Pat. No. Des. 854,129, which is a (Continued)

(51) **LOC (12) Cl.** **23-01**

(52) **U.S. Cl.**
USPC **D23/284**

(58) **Field of Classification Search**
USPC D23/238-243, 249-250, 254, 255, 257, D23/284, 293.1, 308; D28/54.1, 58; D6/542-545

(Continued)

(56) **References Cited**

U.S. PATENT DOCUMENTS

D468,815 S * 1/2003 Kahle D23/284
D545,415 S * 6/2007 Tani D23/293.1
(Continued)

Primary Examiner — Robert A Delehanty

(74) *Attorney, Agent, or Firm* — Boyle Fredrickson, S.C.

(57) **CLAIM**

The ornamental design for a lavatory basin, substantially as shown and described.

DESCRIPTION

FIG. 1 is a raised perspective view of a lavatory system showing a basin with an unclaimed multi-use faucet, according to a first embodiment of the invention;

FIG. 2 is a top view of the lavatory system of FIG. 1;

FIG. 3 is a sectional view of the lavatory system taken along line 3-3 in FIG. 2;

FIG. 4 is bottom view of the lavatory system of FIG. 1;

FIG. 5 is a front view of the lavatory system of FIG. 1;

FIG. 6 is a rear view of the lavatory system of FIG. 1;

FIG. 7 is a right side view of the lavatory system of FIG. 1;

FIG. 8 is a left side view of the lavatory system of FIG. 1;

FIG. 9 is a lowered perspective view of the lavatory system of FIG. 1;

FIG. 10 is a raised perspective view of a lavatory system showing a basin with an unclaimed multi-use faucet, according to a second embodiment of the invention;

FIG. 11 is a top view of the lavatory system of FIG. 10;

FIG. 12 is a sectional view of the lavatory system taken along line 12-12 in FIG. 11;

FIG. 13 is a bottom view of the lavatory system of FIG. 10;

FIG. 14 is a front view of the lavatory system of FIG. 10;

FIG. 15 is a rear view of the lavatory system of FIG. 10;

FIG. 16 is a right side view of the lavatory system of FIG. 10;

FIG. 17 is a left side view of the lavatory system of FIG. 10;

FIG. 18 is a lowered perspective view of the lavatory system of FIG. 10;

FIG. 19 is a raised perspective view of a lavatory system showing a basin with an unclaimed multi-use faucet, according to a third embodiment of the invention;

FIG. 20 is a top view of the lavatory system of FIG. 19;

FIG. 21 is a sectional view of the lavatory system taken along line 21-21 in FIG. 20;

FIG. 22 is a bottom view of the lavatory system of FIG. 19;

FIG. 23 is a front view of the lavatory system of FIG. 19;

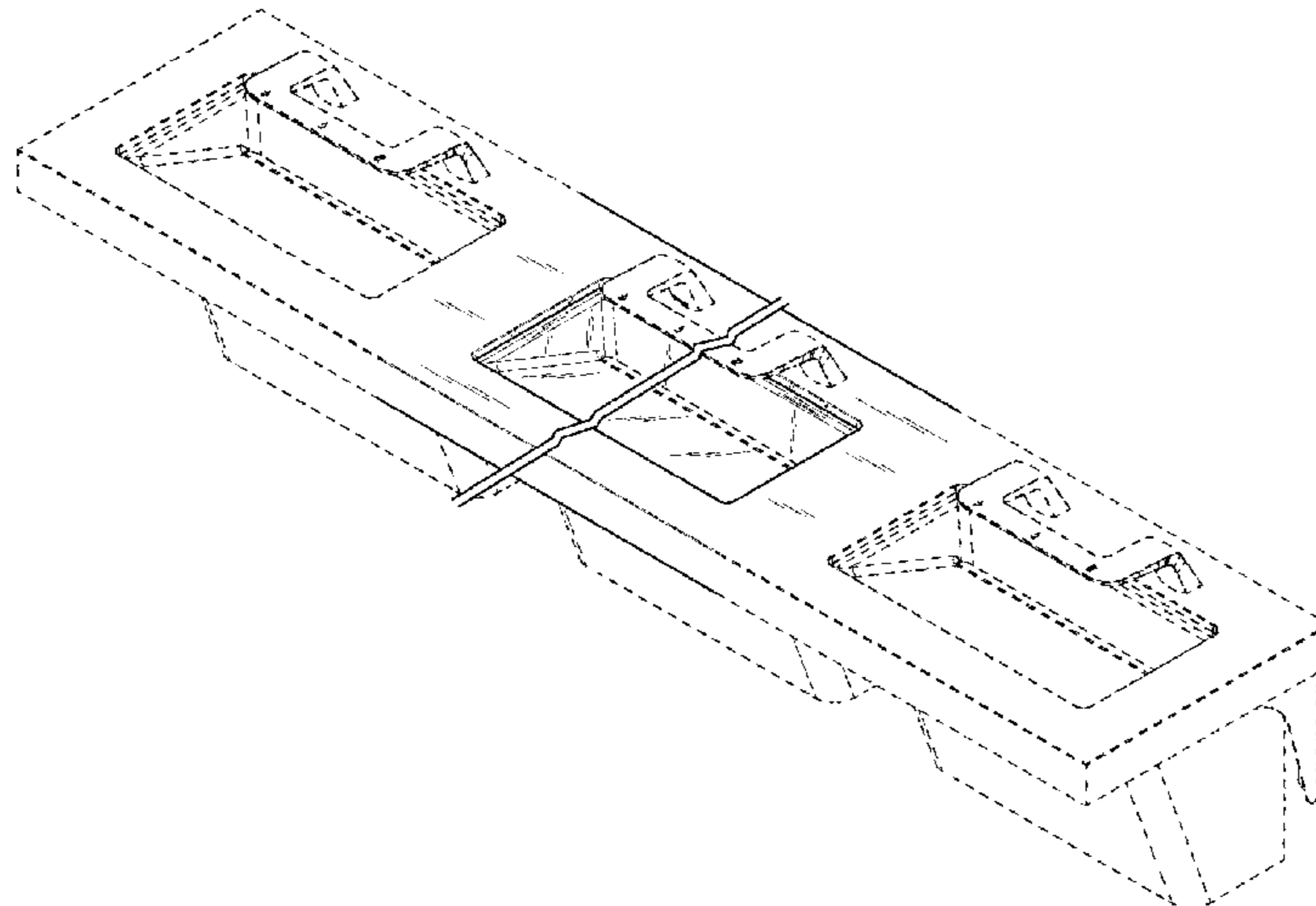
FIG. 24 is a rear view of the lavatory system of FIG. 19;

FIG. 25 is a right side view of the lavatory system of FIG. 19;

FIG. 26 is a left side view of the lavatory system of FIG. 19;

and, FIG. 27 is a lowered perspective view of the lavatory system of FIG. 19.

(Continued)



The broken lines shown in the drawings form no part of the claimed design. The surface shading illustrated in the drawings is provided merely to highlight the contour of the design and is not part of the claimed design. All surfaces not shown form no part of the claimed design. The claimed design is shown with a symbolic break in its length. The appearance of any portion of the article between the break lines forms no part of the claimed design.

1 Claim, 24 Drawing Sheets

Related U.S. Application Data

continuation of application No. 29/559,402, filed on Mar. 28, 2016, now Pat. No. Des. 813,360.

(58) **Field of Classification Search**

CPC E03C 1/04; E03C 1/0401; E03C 1/0402; E03C 1/0404; E03C 1/057; E03C 1/052;

F16K 31/602; F16K 31/605; F16K 31/607; A47K 5/1217; A47K 10/48

See application file for complete search history.

(56)

References Cited

U.S. PATENT DOCUMENTS

D560,782	S	*	1/2008	Marshall	D23/293.1
D629,877	S	*	12/2010	Rundberg	D23/308
D640,778	S	*	6/2011	Rundberg	D23/308
D649,232	S	*	11/2011	Rundberg	D23/308
D687,530	S	*	8/2013	McGuire	D23/308
D691,247	S	*	10/2013	McGuire	D23/308
D691,248	S	*	10/2013	McGuire	D23/308
D735,838	S	*	8/2015	Bartlett	D23/290
D745,120	S	*	12/2015	Adkison	D23/284
D813,360	S	*	3/2018	Murray	D23/308
D823,996	S	*	7/2018	Murray	D23/308
D823,997	S	*	7/2018	Murray	D23/308
D824,497	S	*	7/2018	Murray	D23/308
10,041,236	B2	*	8/2018	Loberger	E03C 1/0404
D854,129	S	*	7/2019	Kluck	D23/284

* cited by examiner

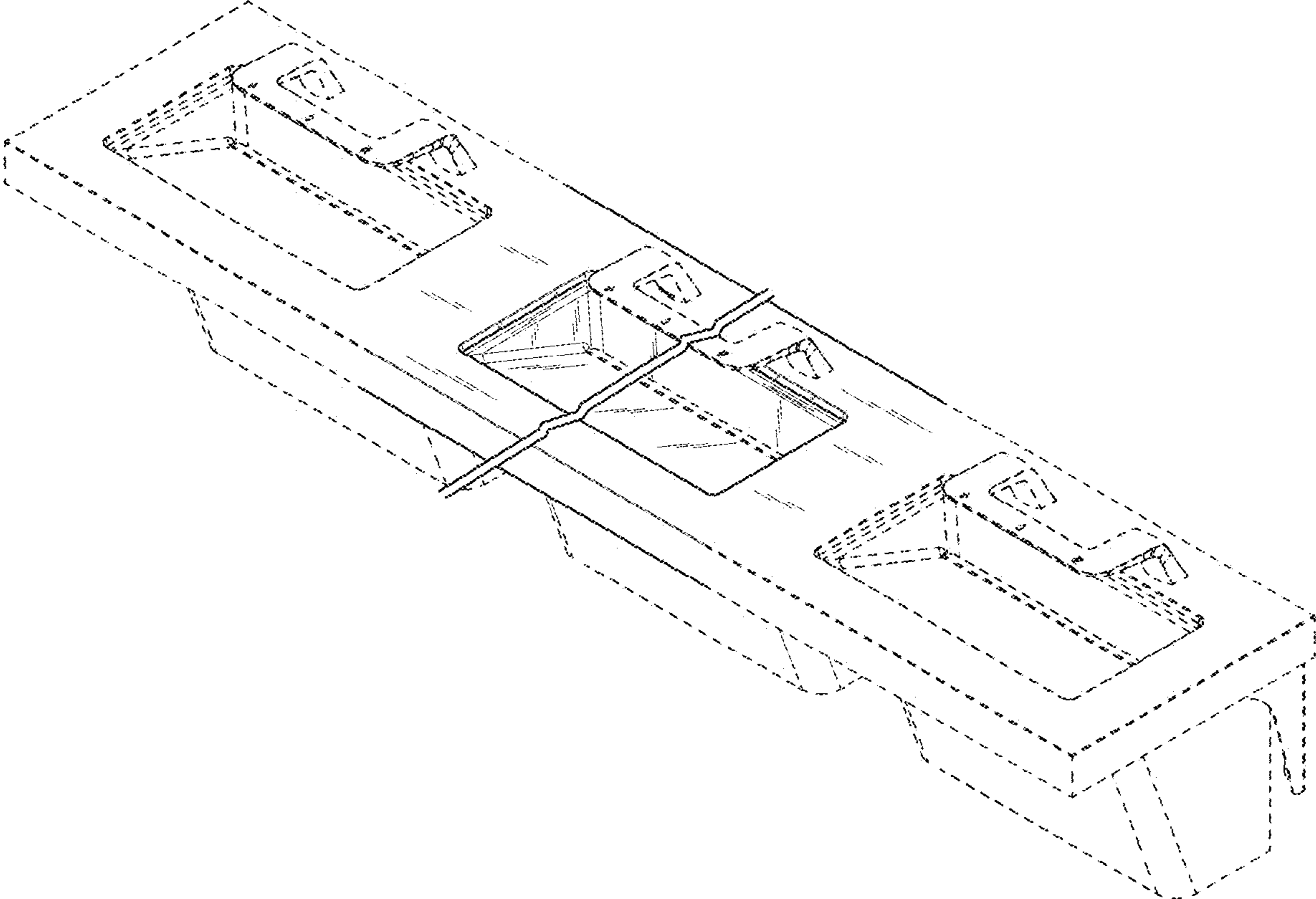


FIG. 1

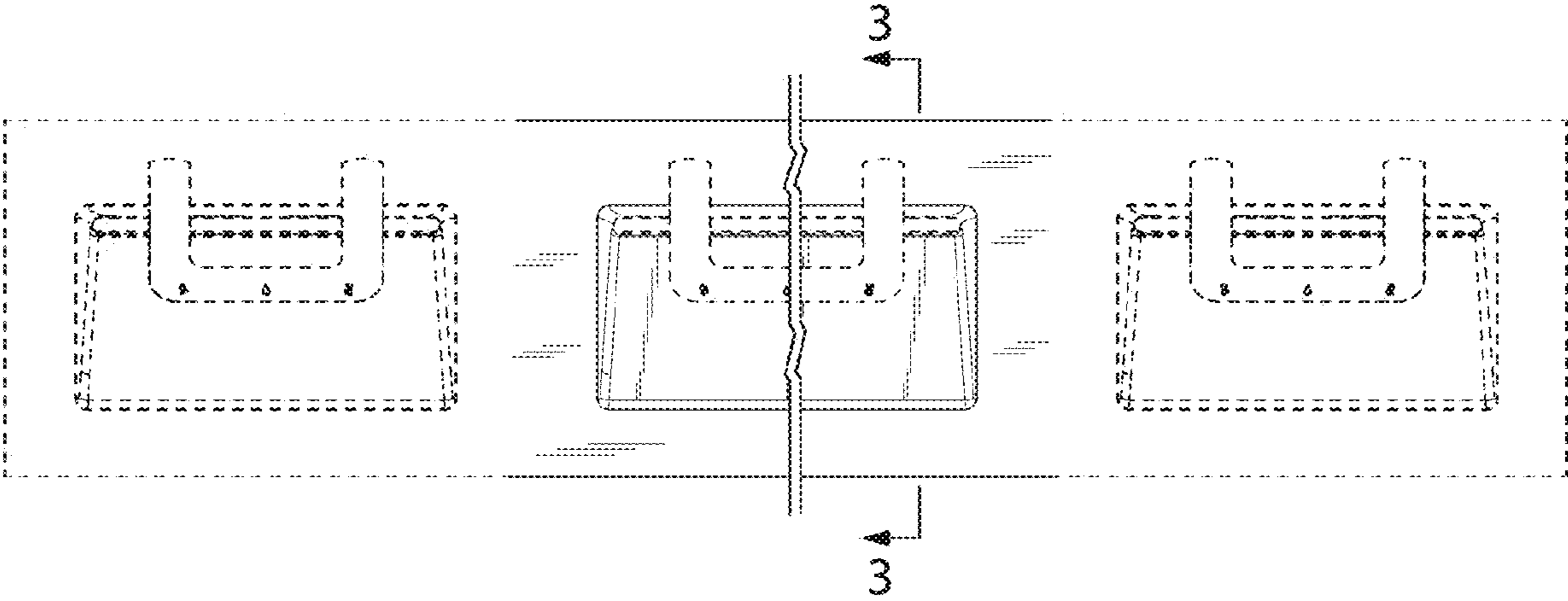


FIG. 2

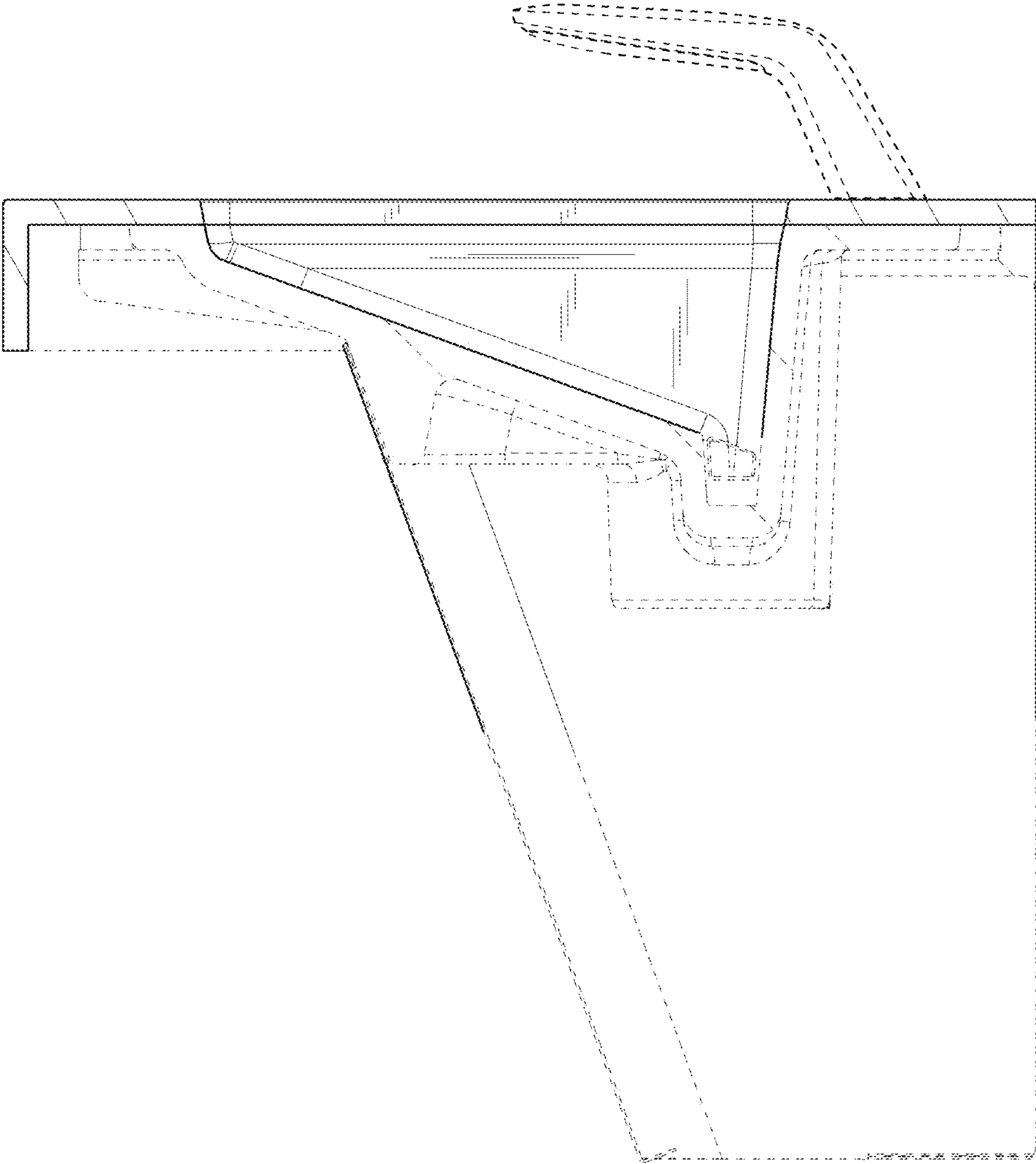


FIG. 3

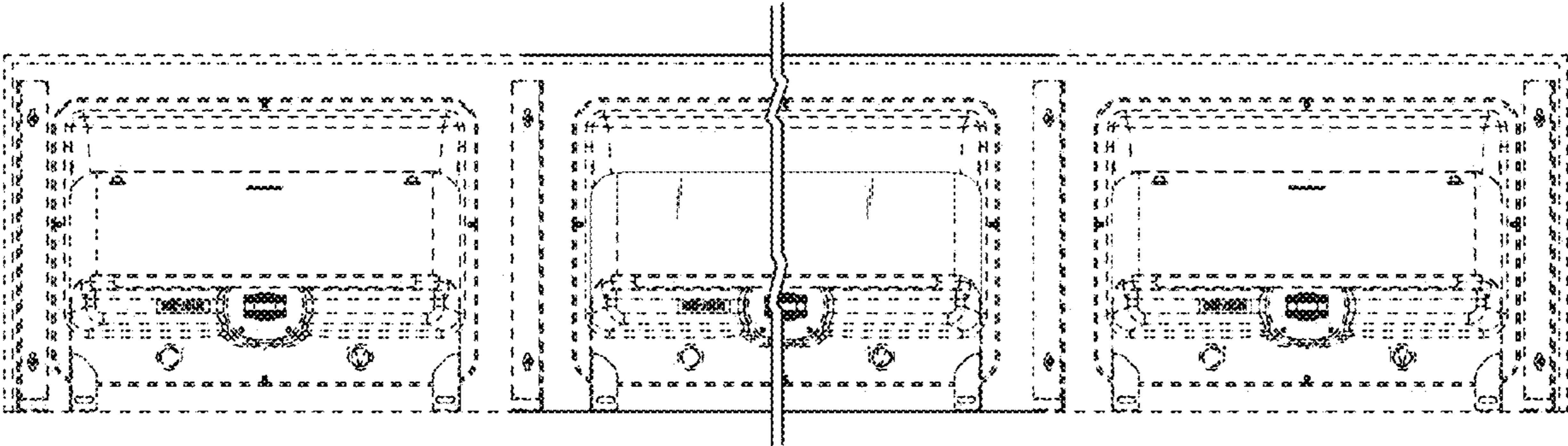


FIG. 4

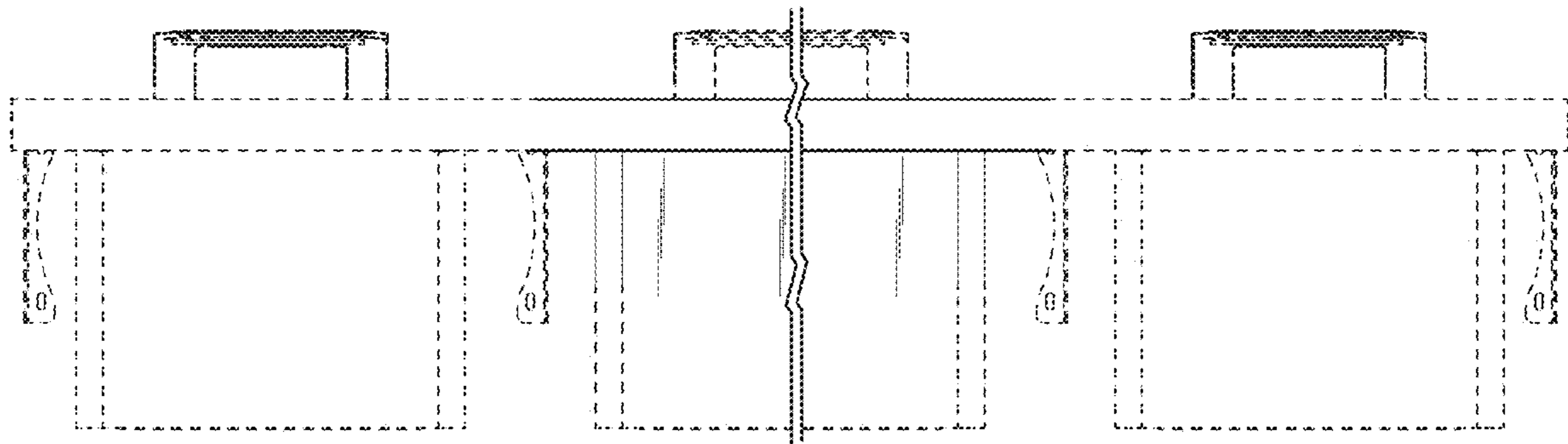


FIG. 5

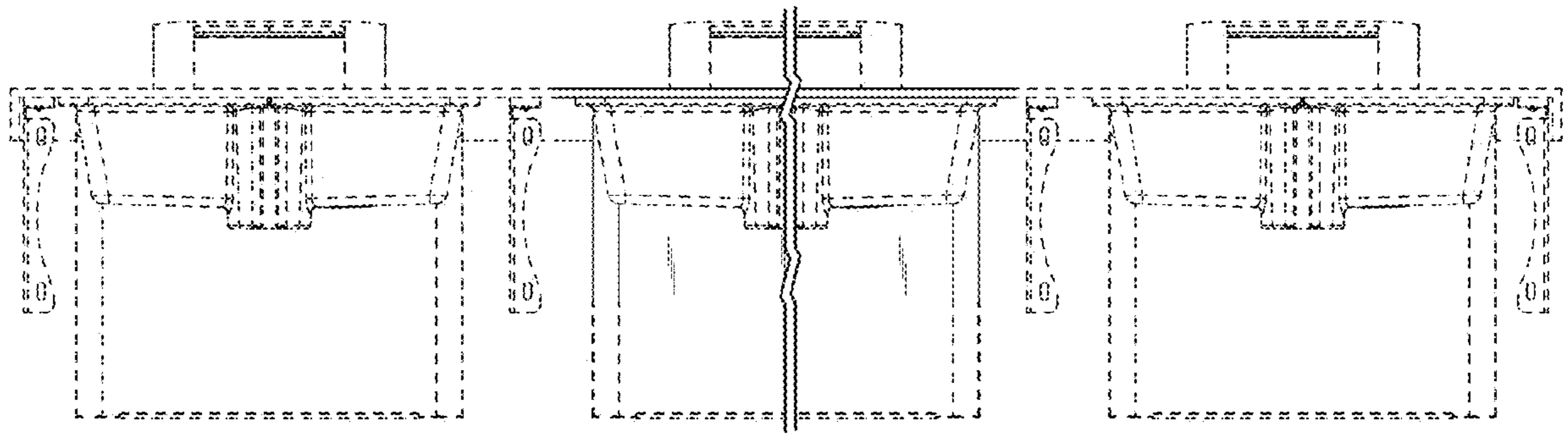


FIG. 6

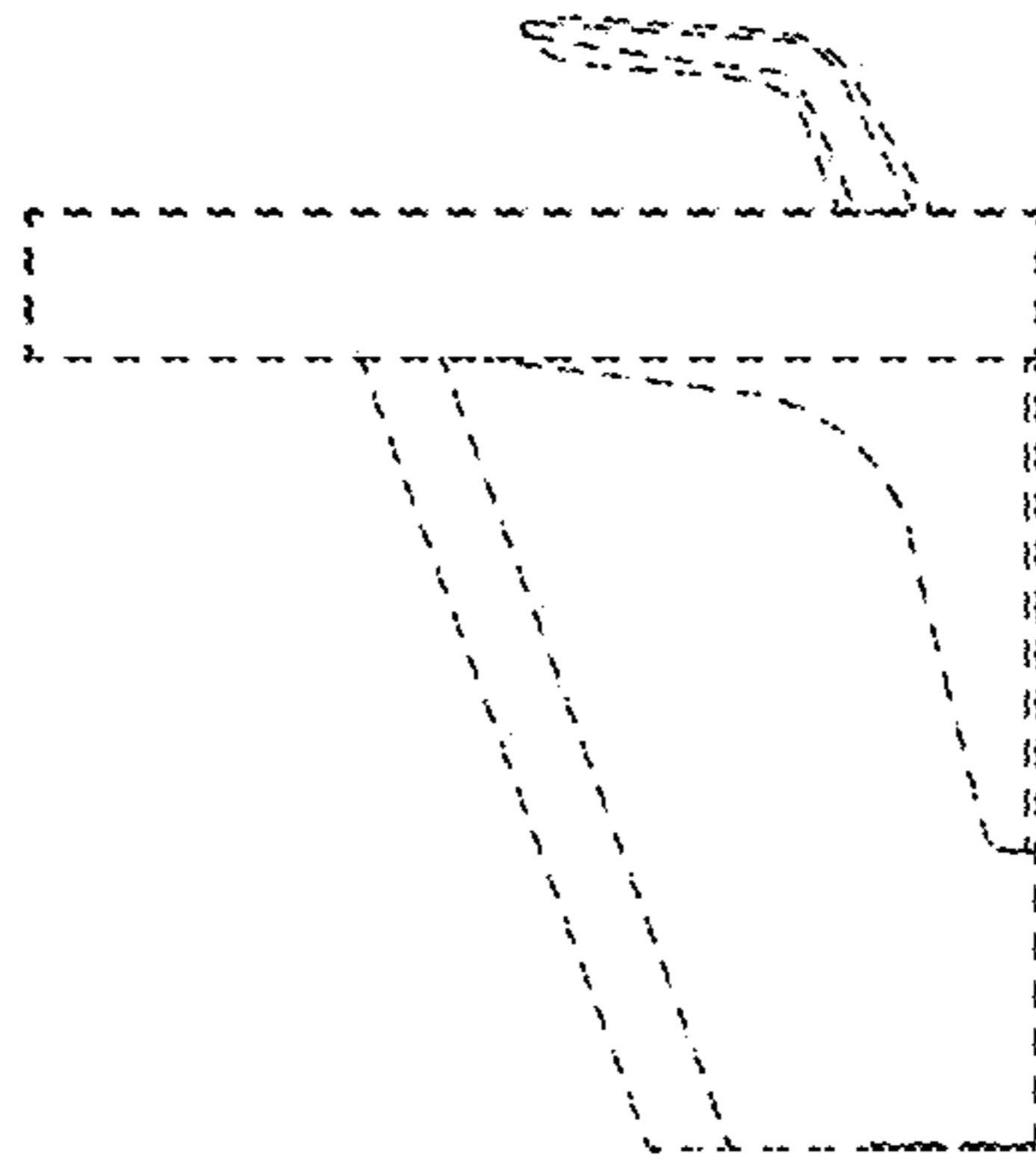


FIG. 7

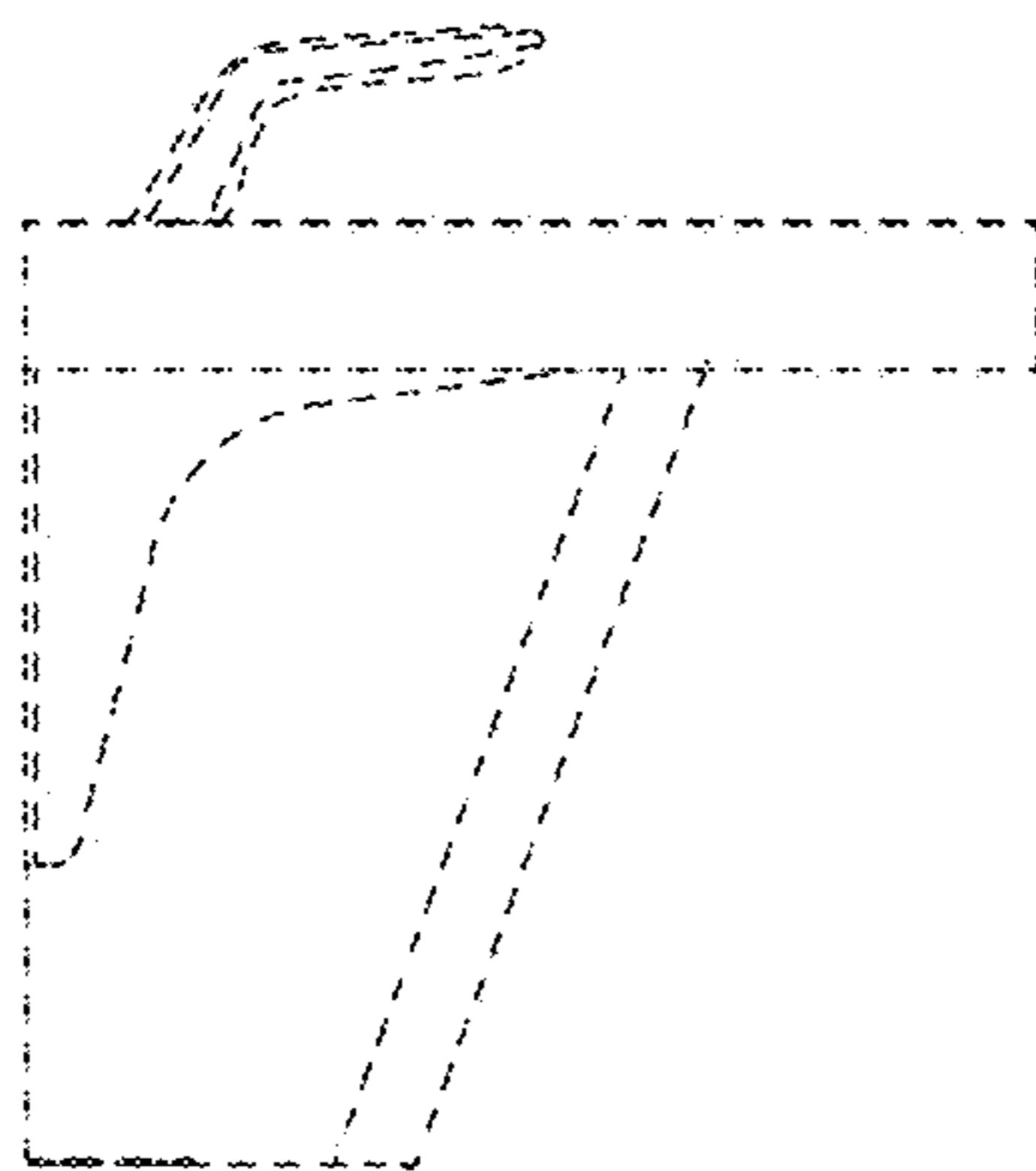


FIG. 8

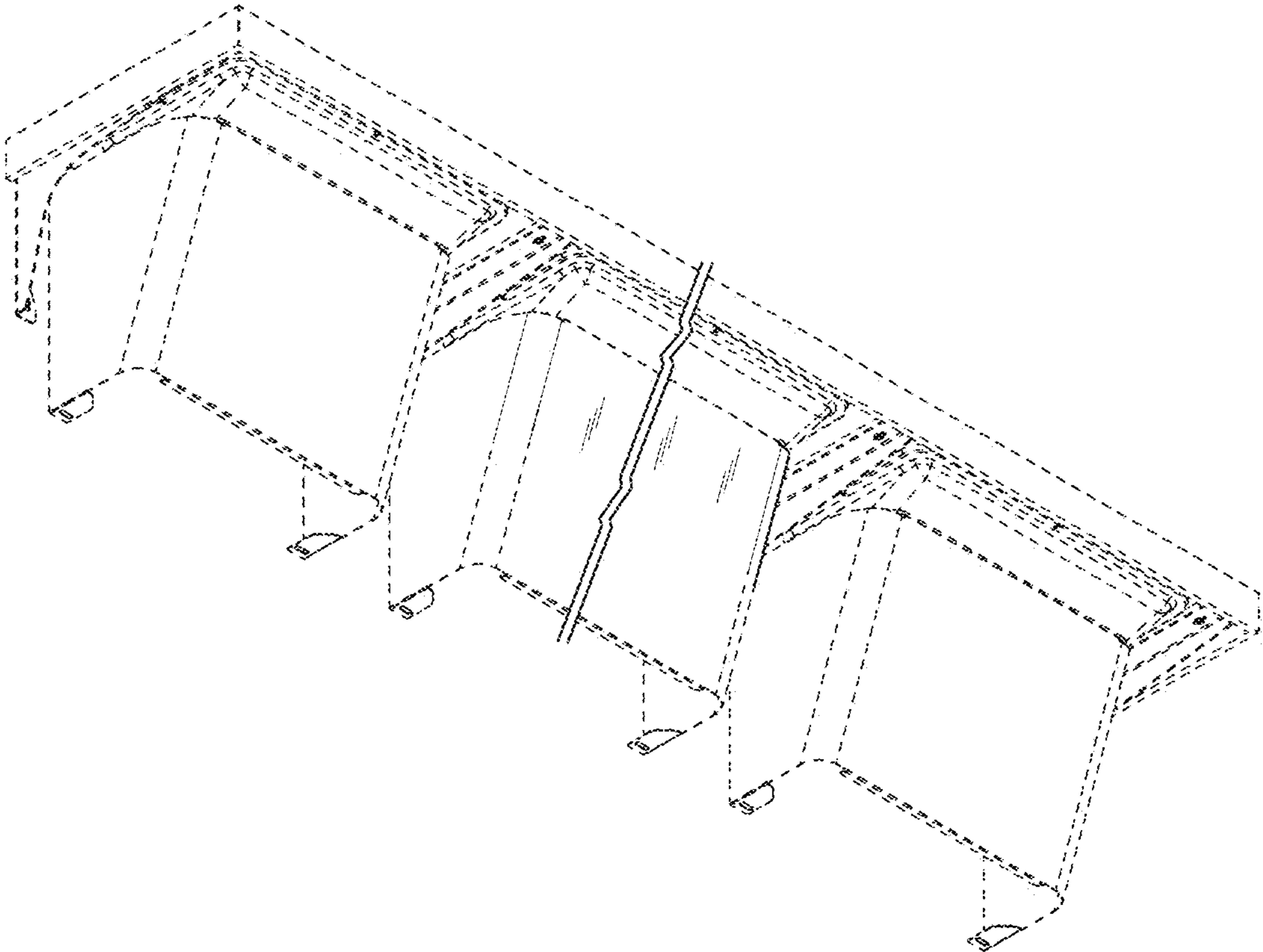


FIG. 9

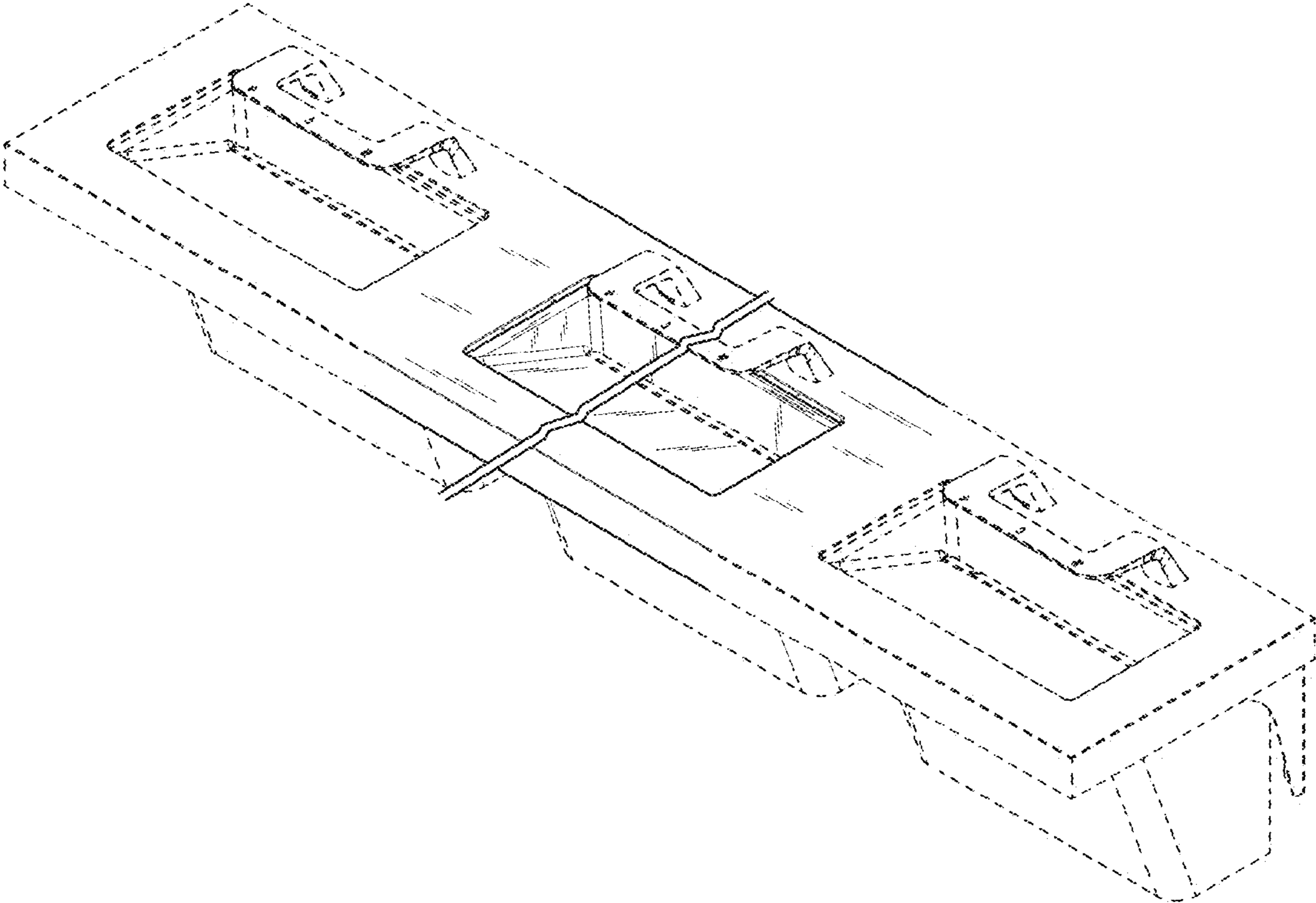


FIG. 10

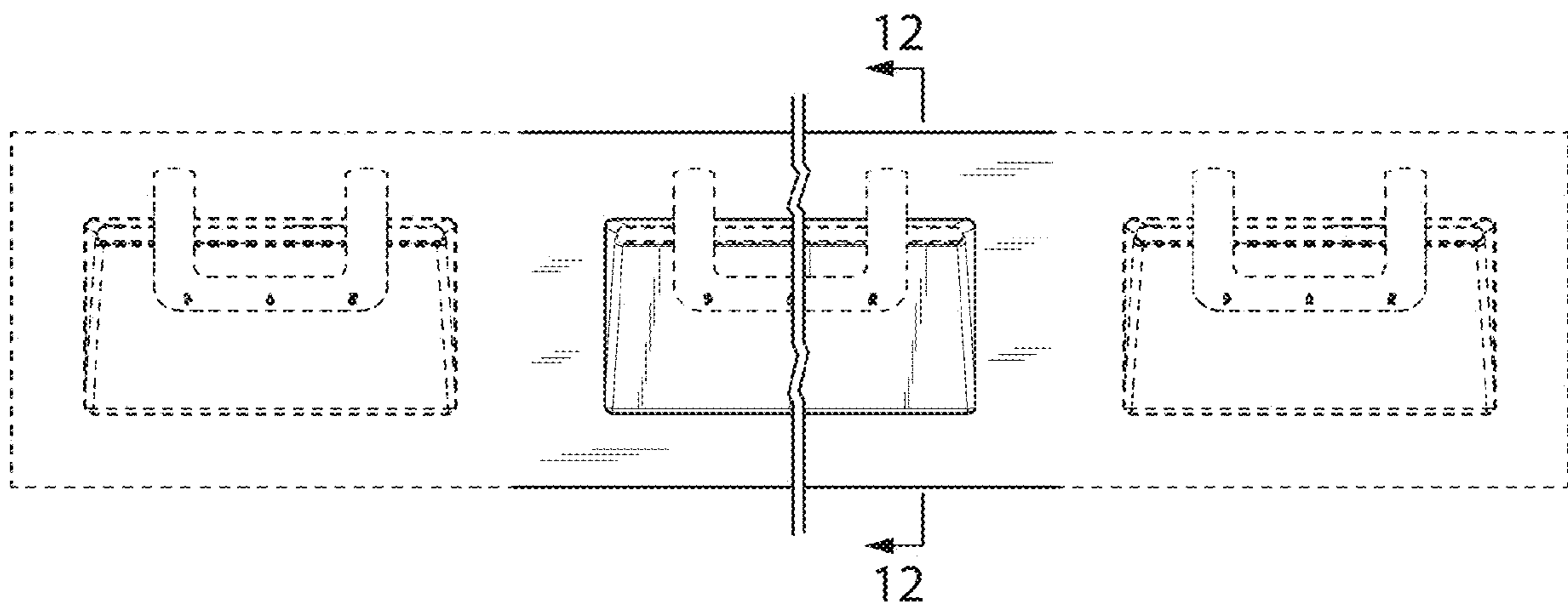


FIG. 11

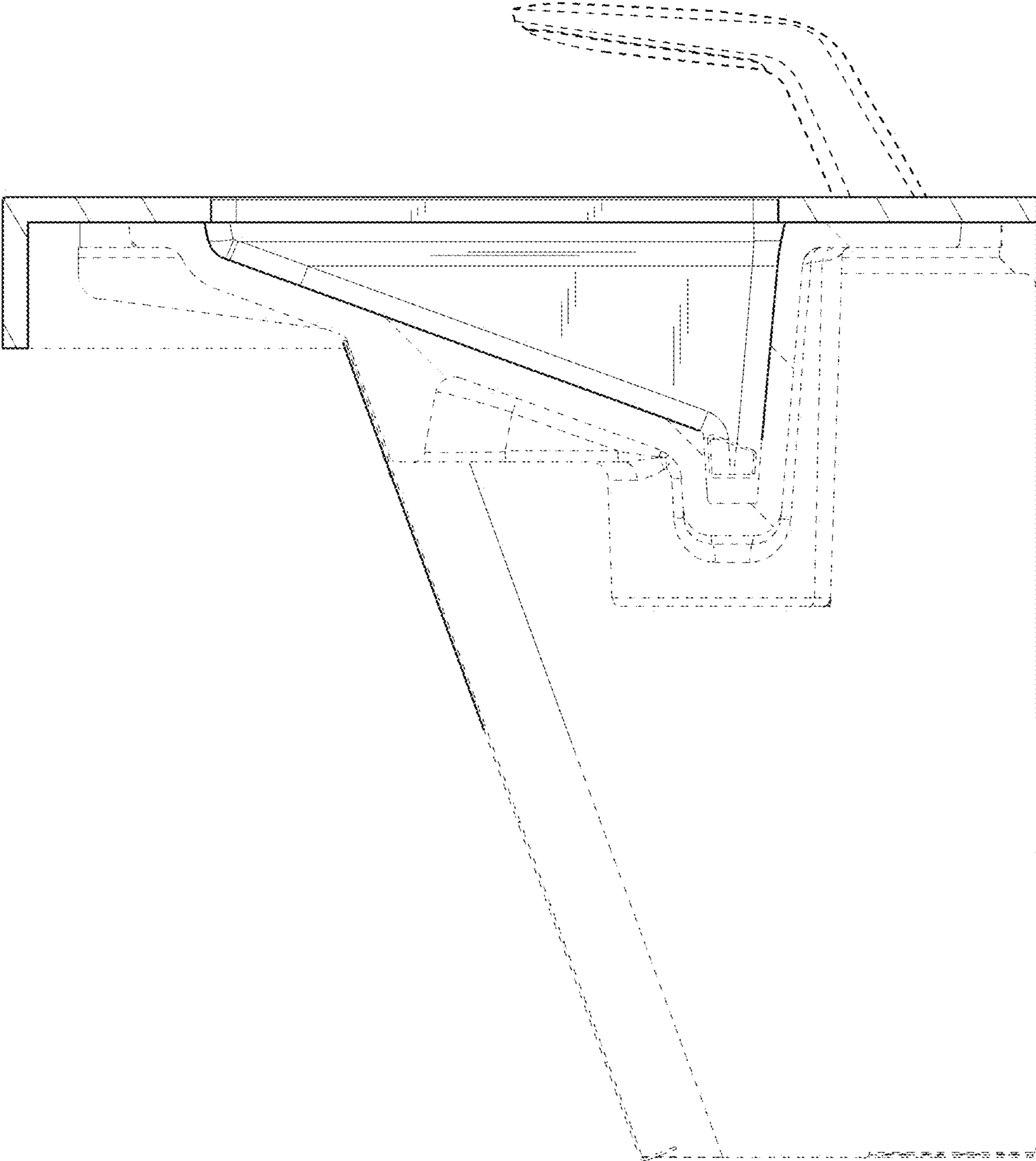


FIG. 12

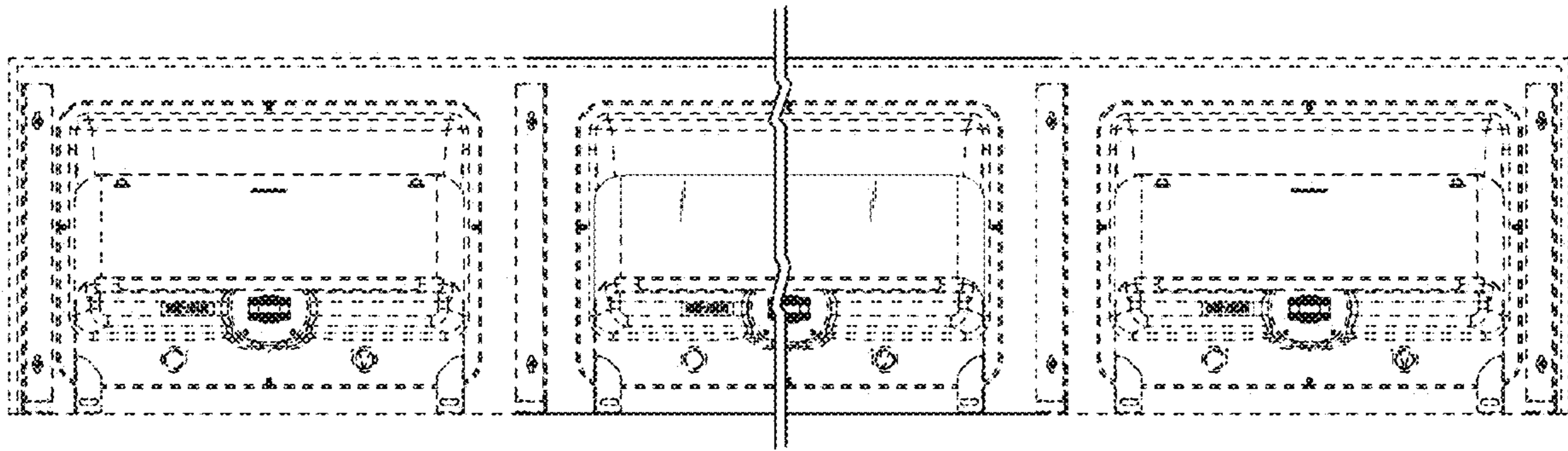


FIG. 13

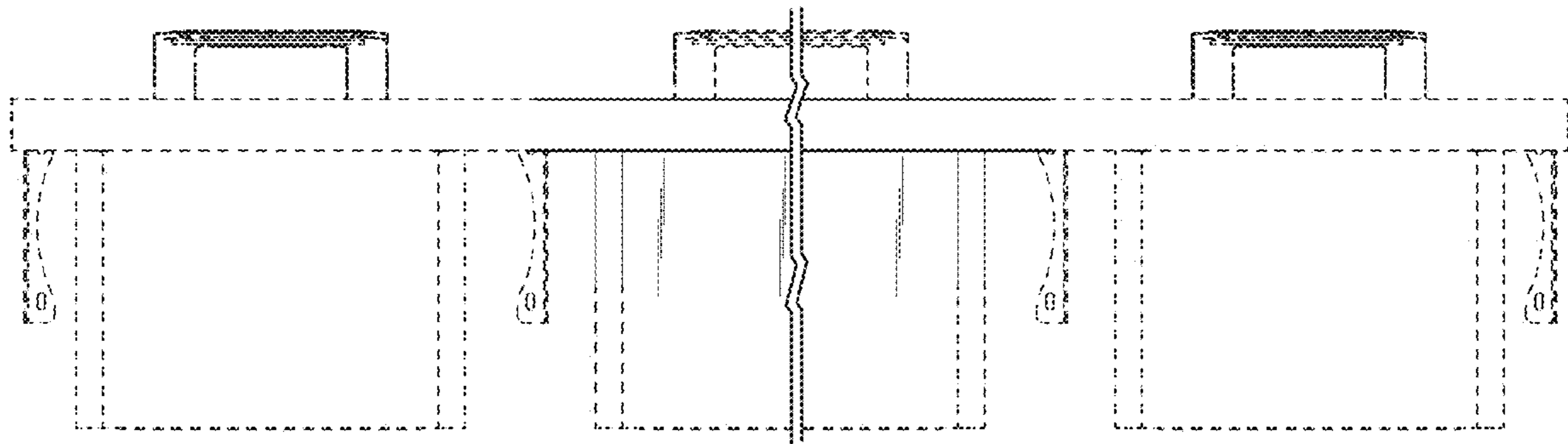


FIG. 14

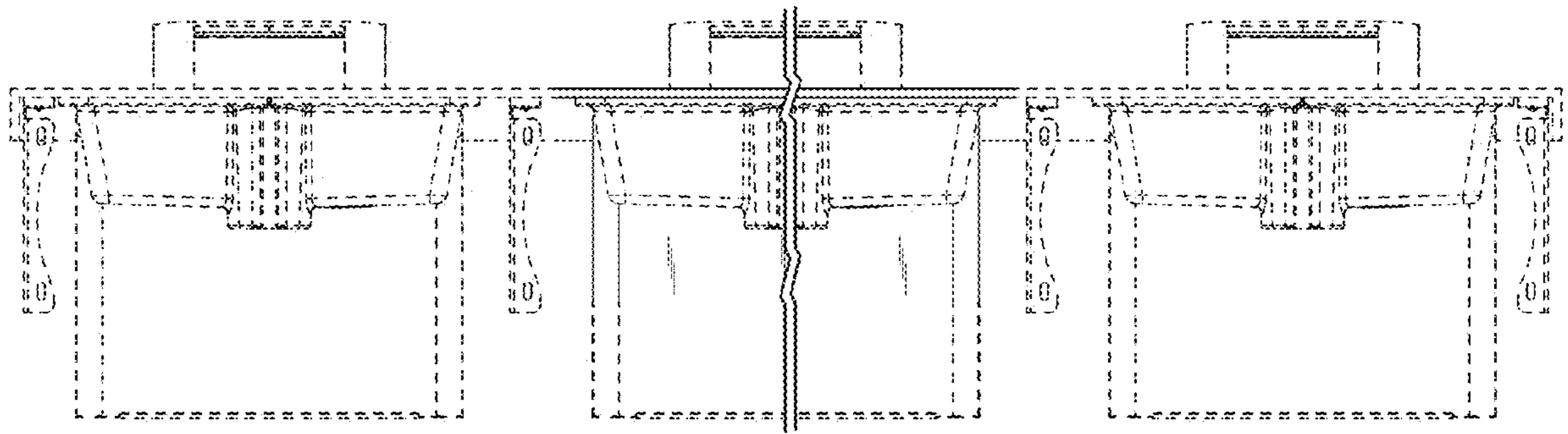


FIG. 15

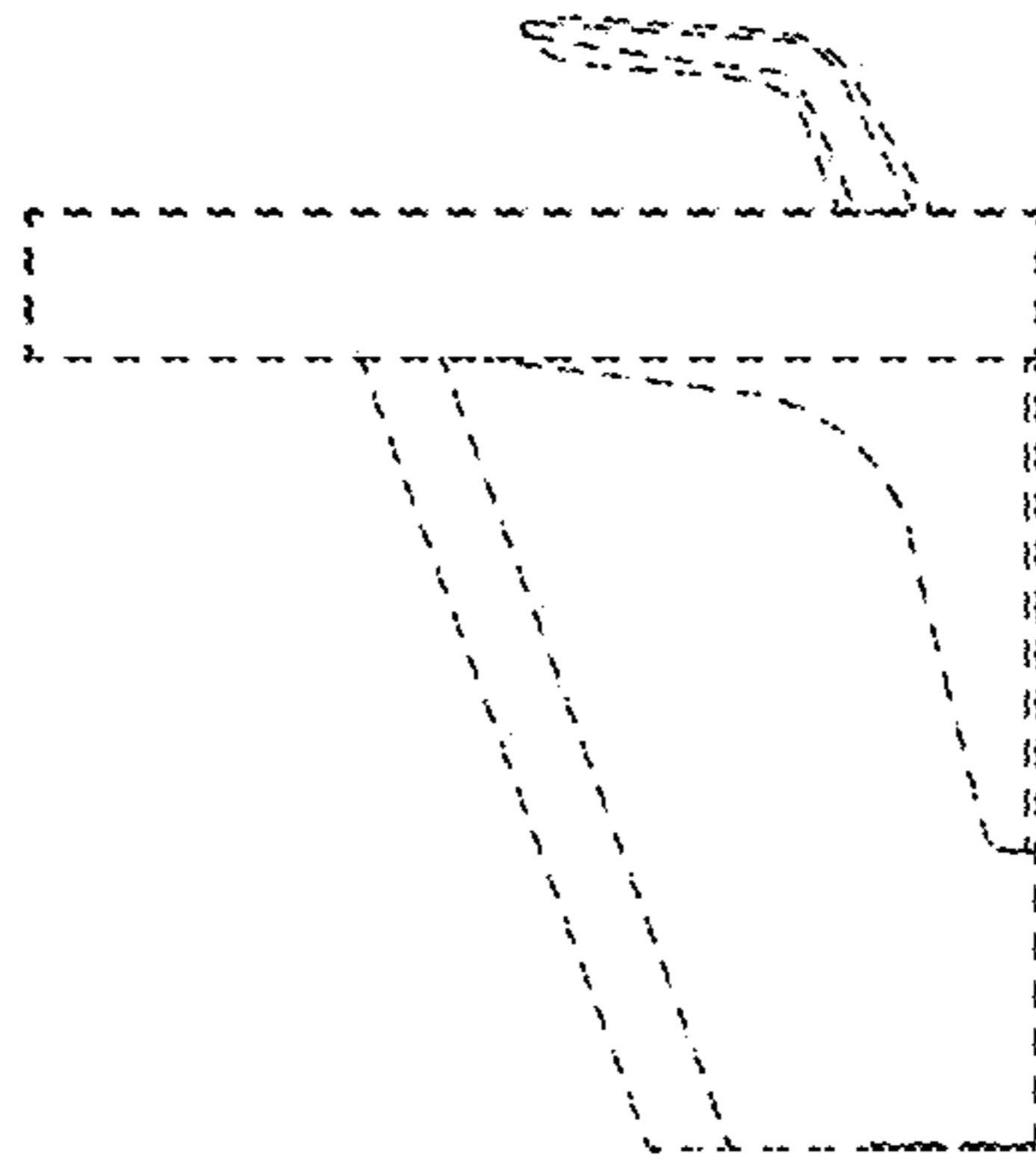


FIG. 16

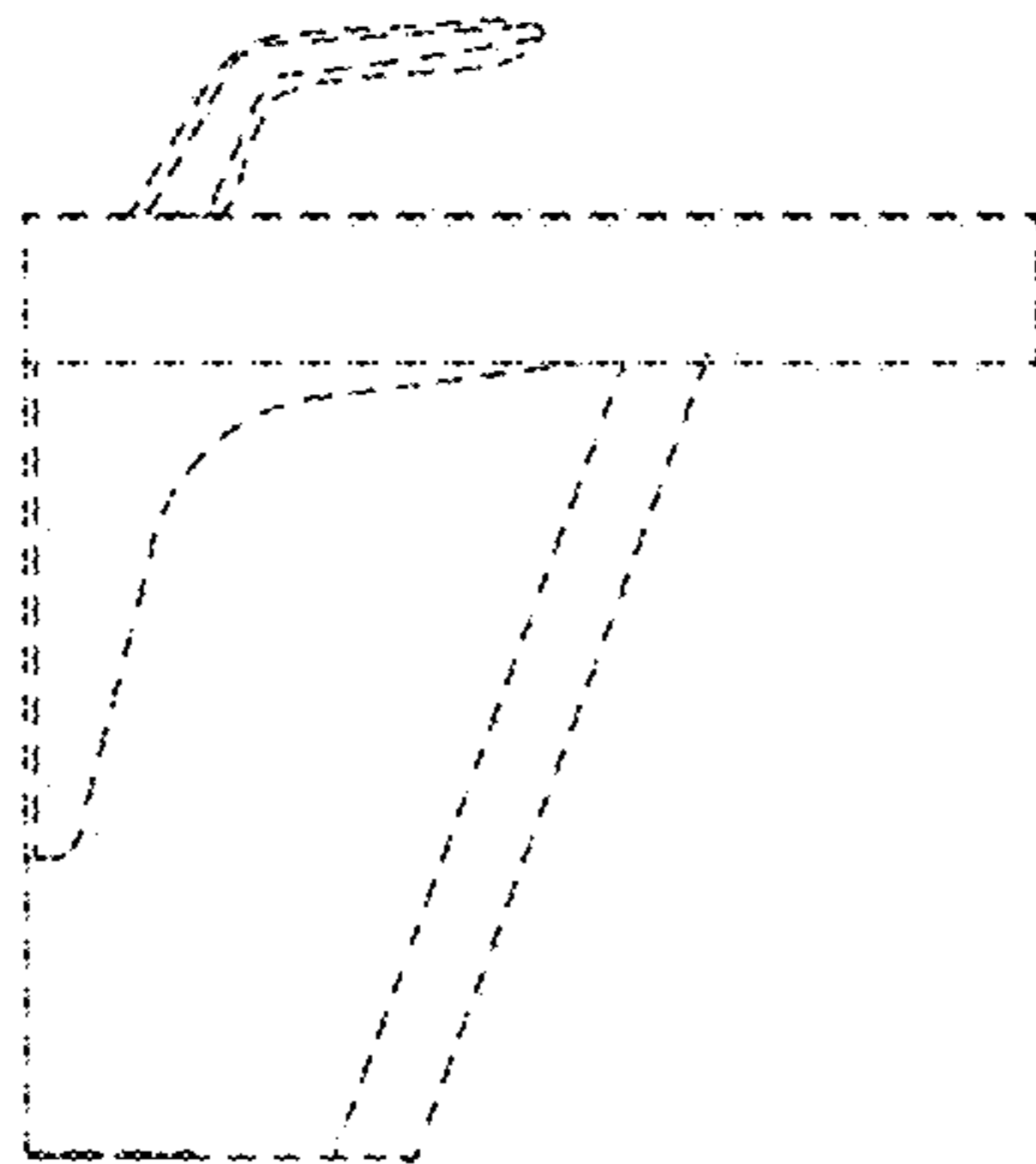


FIG. 17

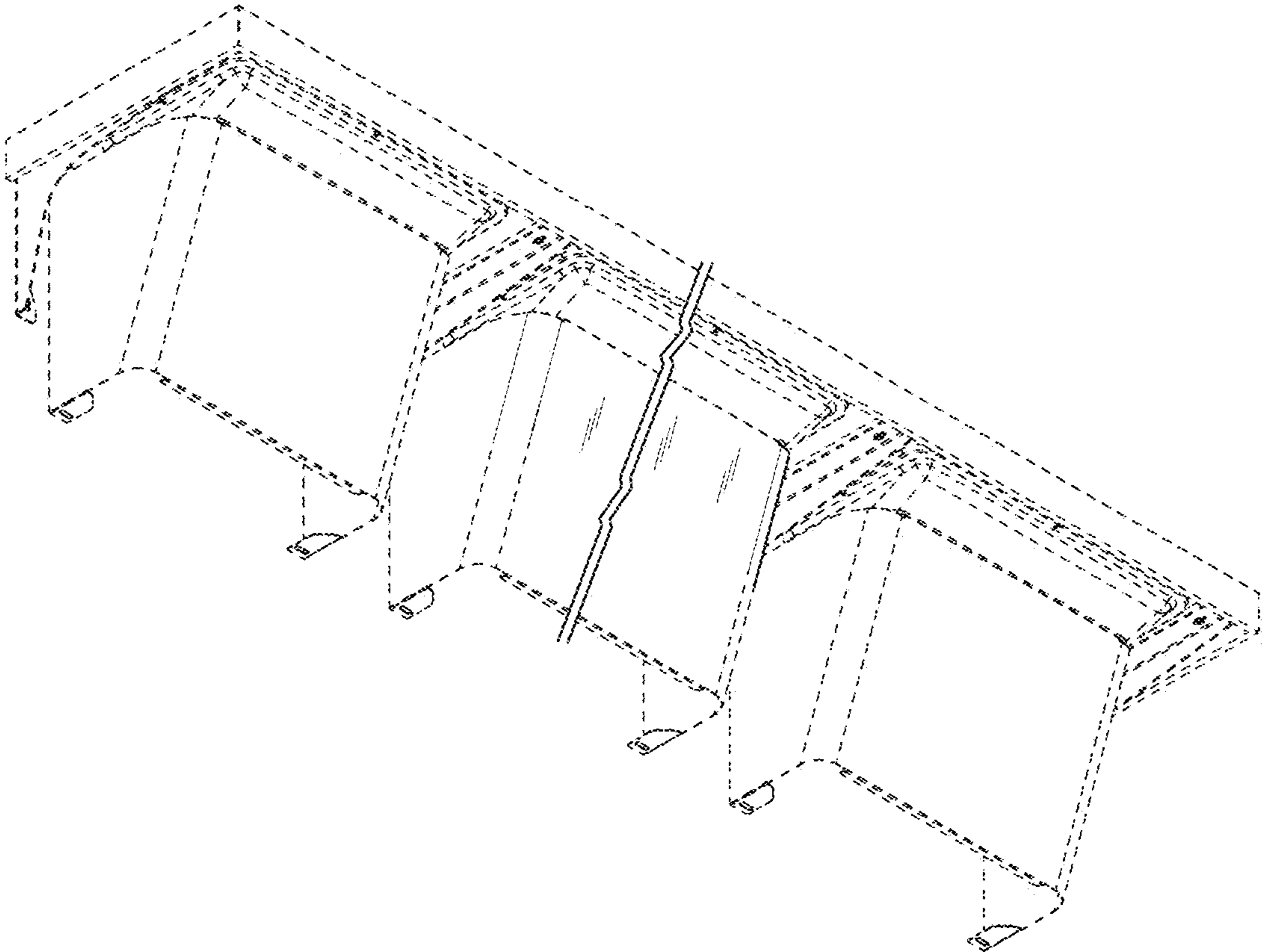


FIG. 18

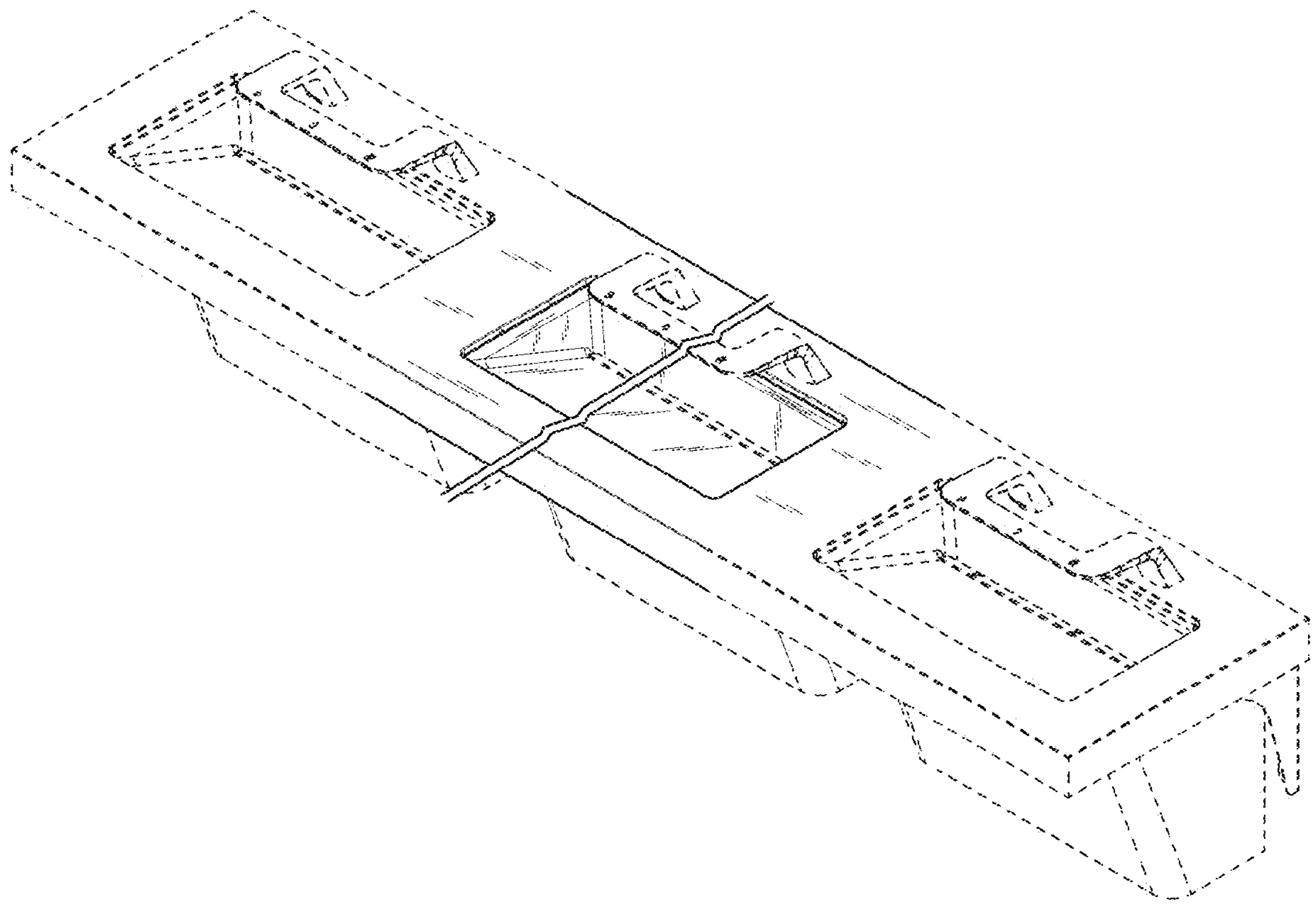


FIG. 19

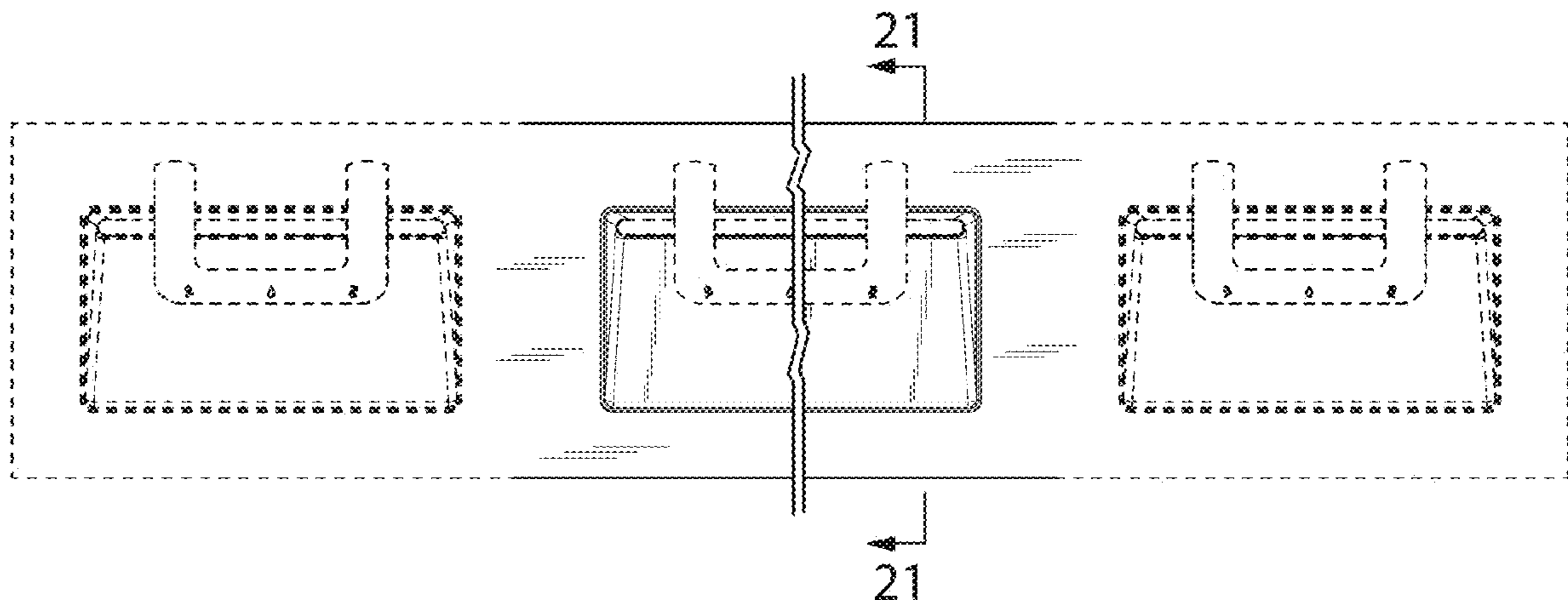


FIG. 20

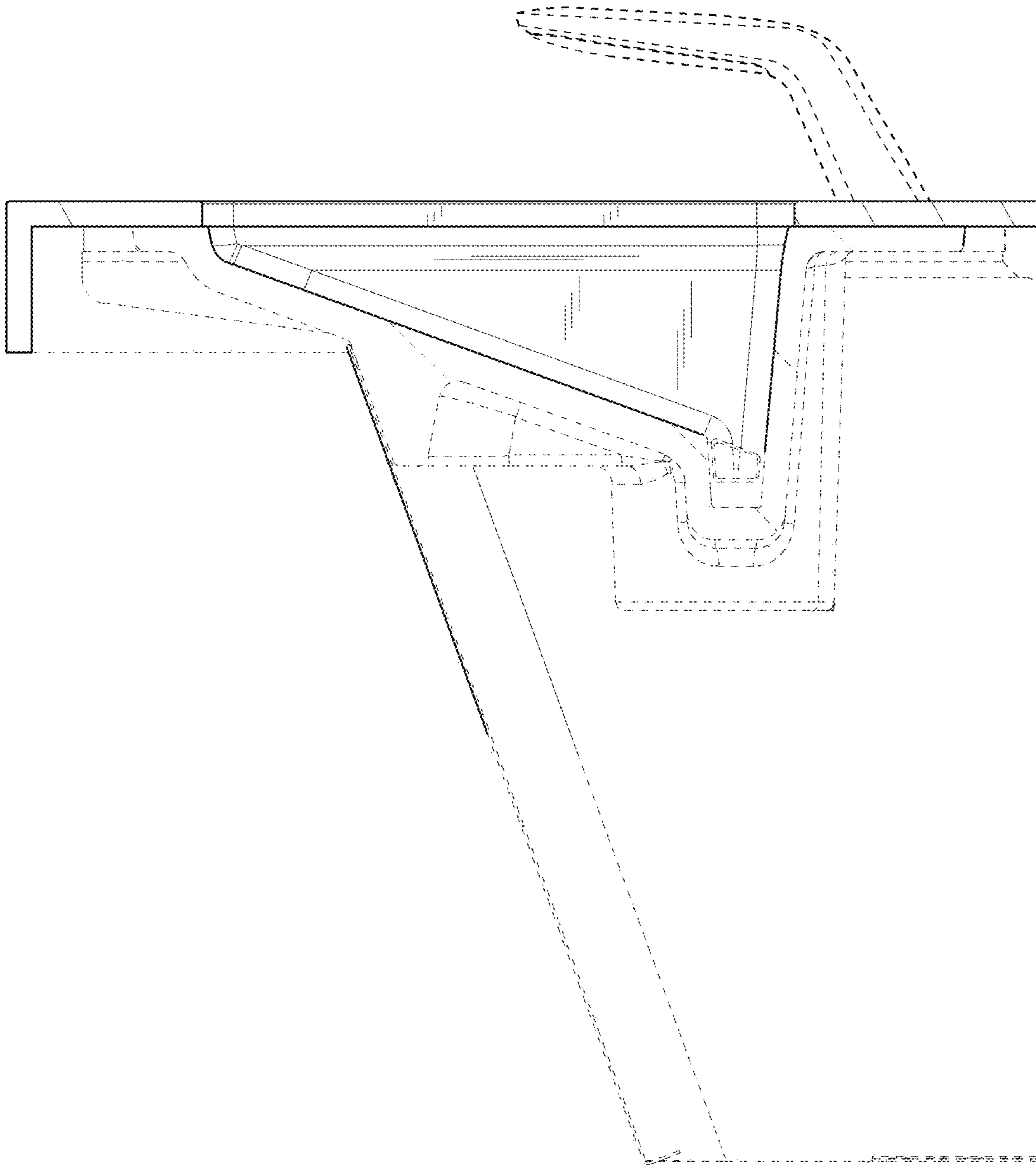


FIG. 21

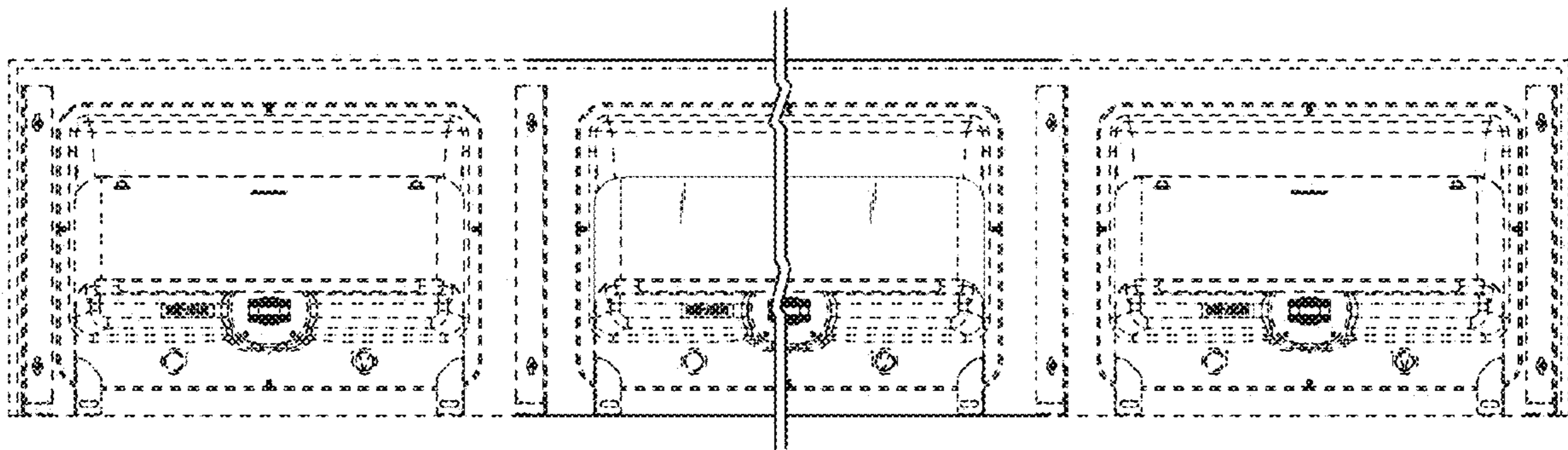


FIG. 22

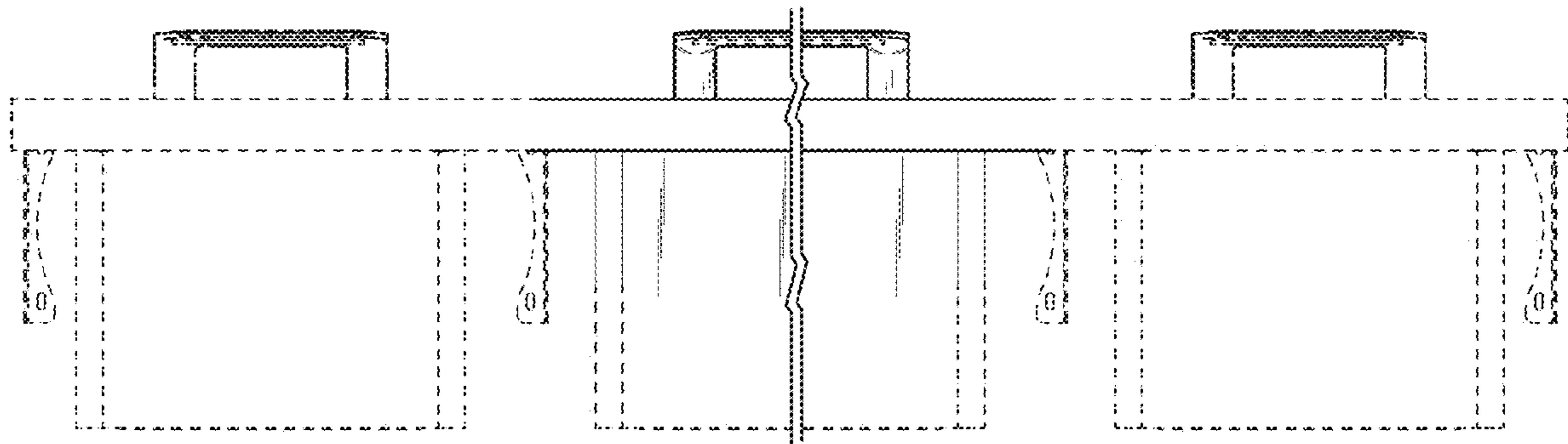


FIG. 23

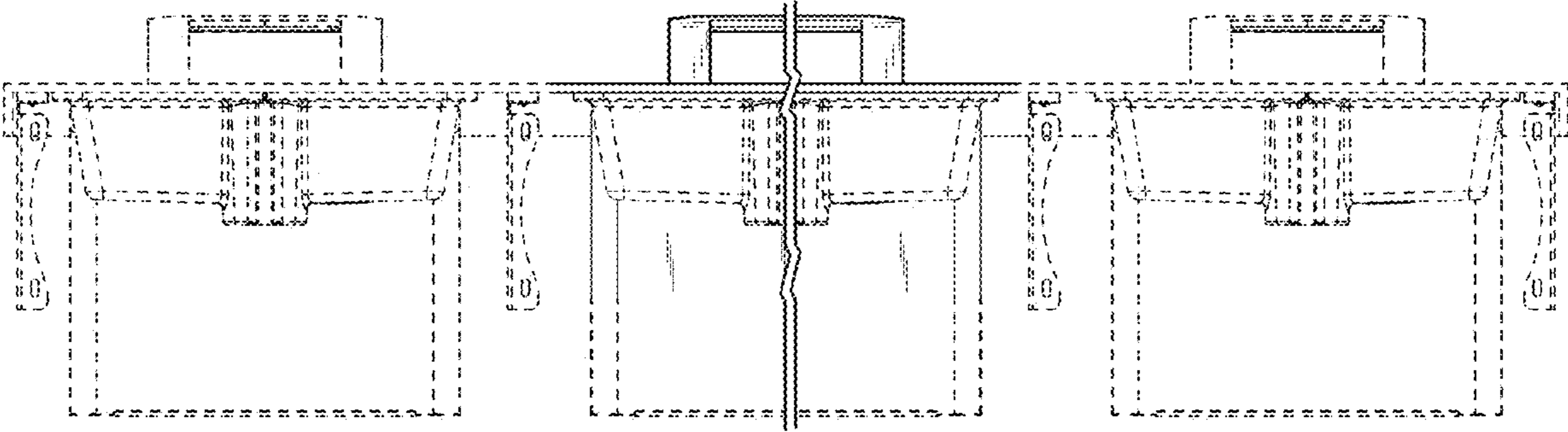


FIG. 24

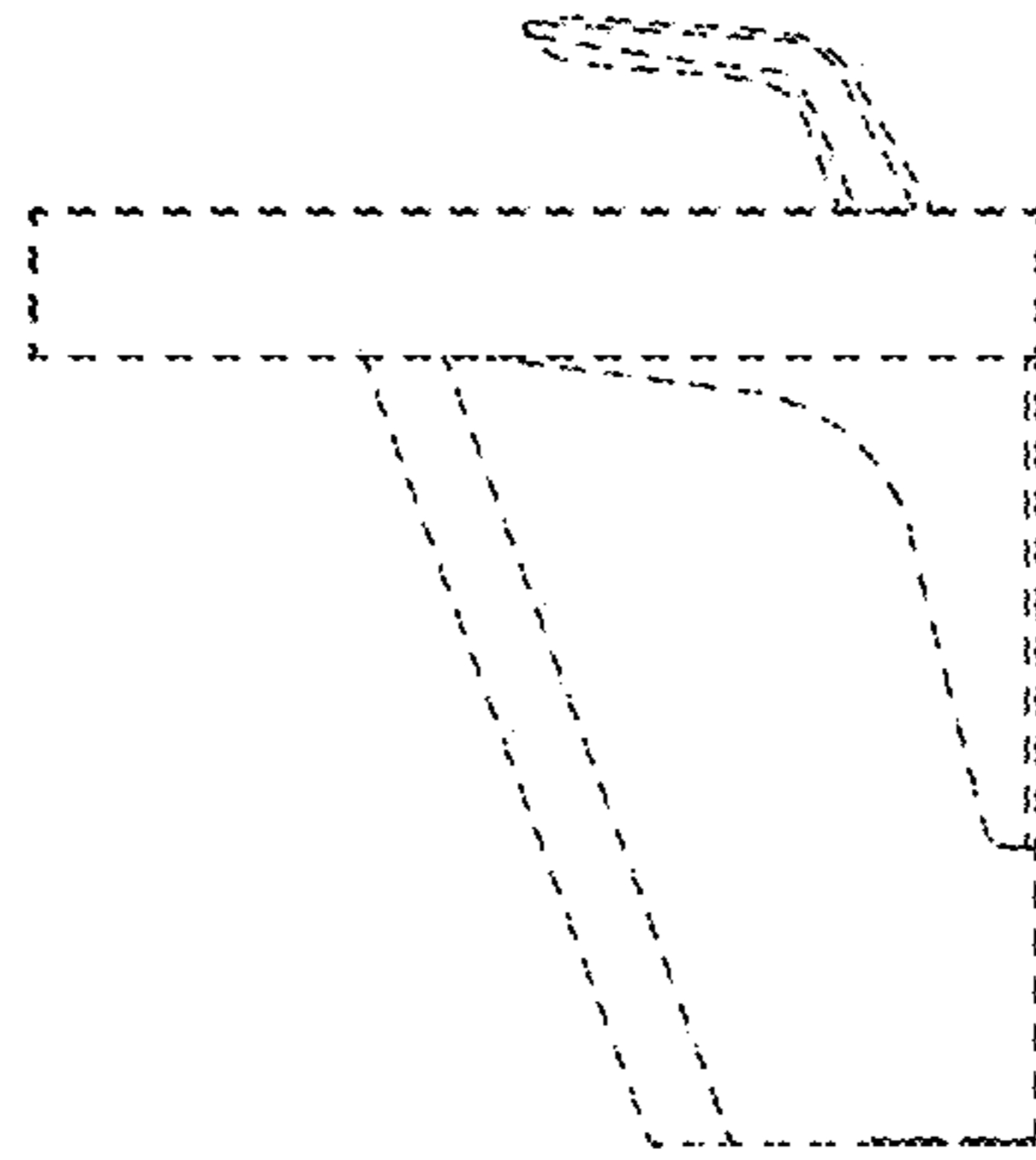


FIG. 25

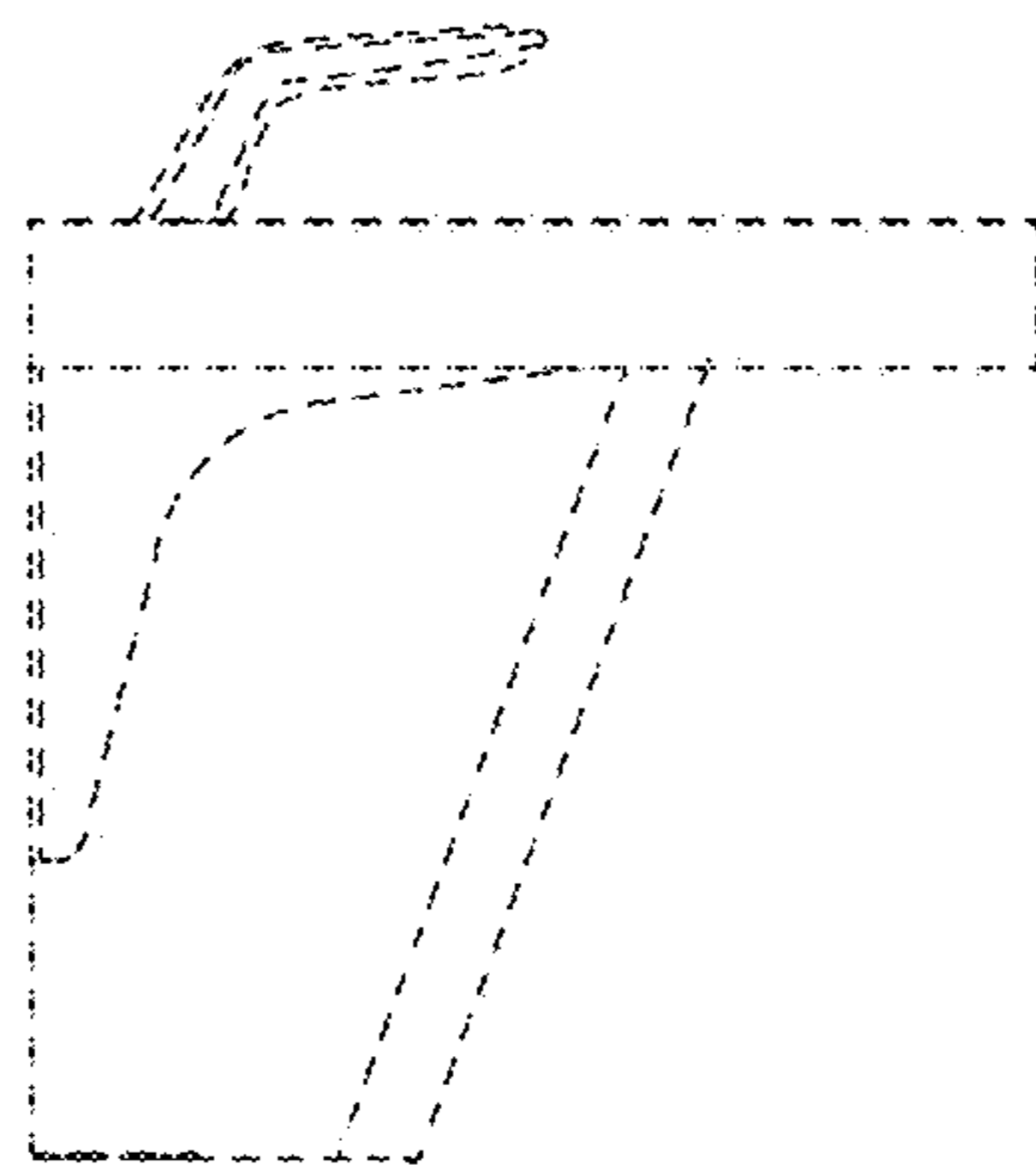


FIG. 26

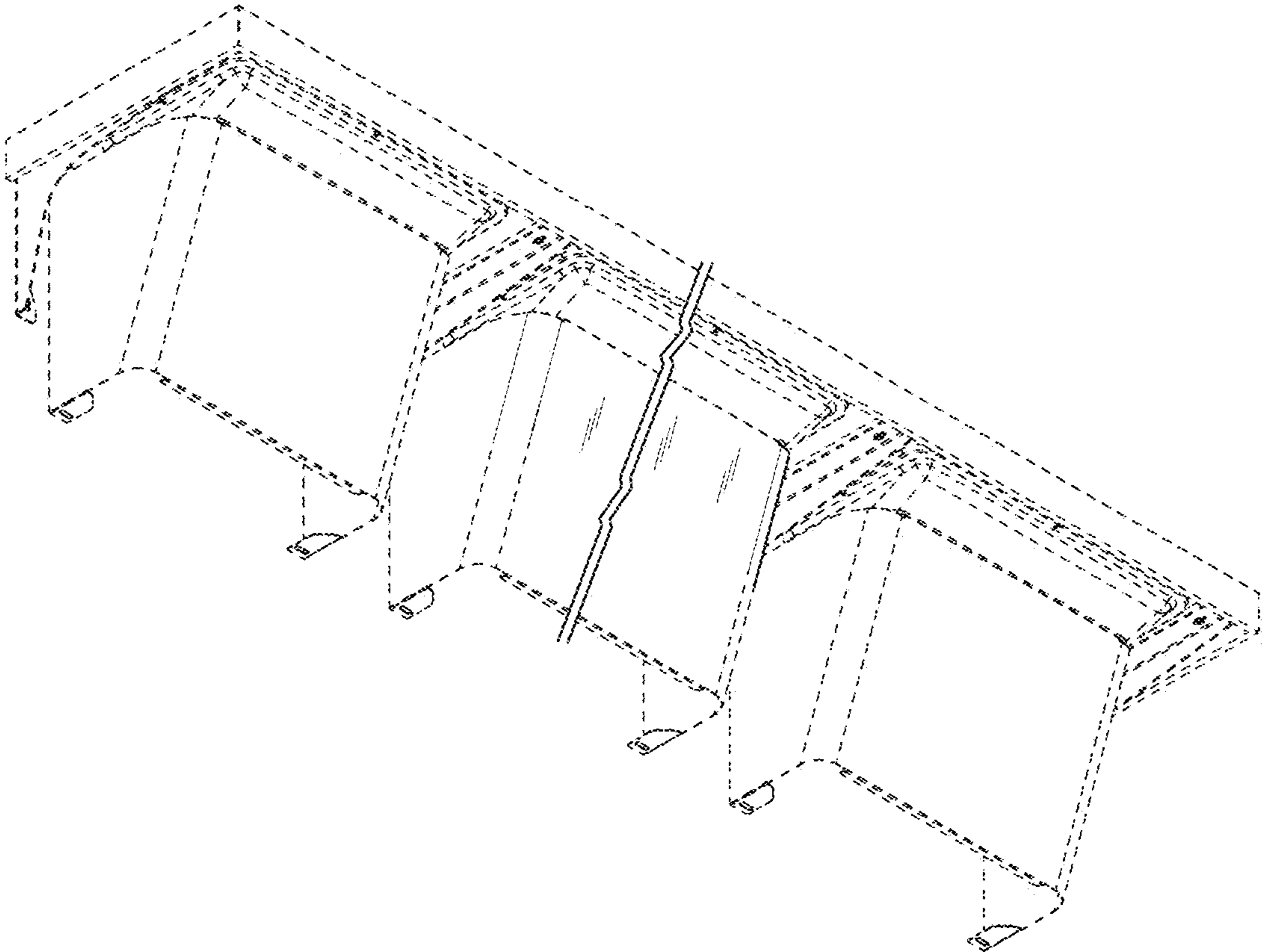


FIG. 27