



US00D881359S

(12) **United States Design Patent**
Hunter

(10) **Patent No.:** **US D881,359 S**

(45) **Date of Patent:** **** Apr. 14, 2020**

(54) **FLUME CHANNEL**

(71) Applicant: **Steven Edward Hunter**, Wichita, KS
(US)

(72) Inventor: **Steven Edward Hunter**, Wichita, KS
(US)

(**) Term: **15 Years**

(21) Appl. No.: **29/707,039**

(22) Filed: **Sep. 25, 2019**

(51) **LOC (12) Cl.** **23-01**

(52) **U.S. Cl.**
USPC **D23/267; D25/119**

(58) **Field of Classification Search**
USPC D23/259-261, 267-268, 393; D25/119,
D25/121-124, 133, 139, 141-143;
52/11-16, 302.1, 302.6
CPC E02D 31/00
See application file for complete search history.

(56) **References Cited**

U.S. PATENT DOCUMENTS

- 3,613,323 A * 10/1971 Hreha E04B 1/7023
52/169.5
- 4,185,429 A * 1/1980 Mendola E02D 31/02
52/169.5
- 5,305,562 A * 4/1994 Sapia E04D 13/076
52/11
- D361,138 S * 8/1995 Moore D25/119
(Continued)

OTHER PUBLICATIONS

Basement Waterproofing_ WaterGuard Perimeter Drainage Channel;
YouTube Video 0:37/1:50; Published Sep. 26, 2009. Visited Online
Dec. 13, 2019; <https://www.youtube.com/watch?v=p73xUELvsBU>
(Year: 2009).*

(Continued)

Primary Examiner — Amy C Wierenga

(74) *Attorney, Agent, or Firm* — Hovey Williams LLP

(57) **CLAIM**

The ornamental design for a flume channel, as shown and described.

DESCRIPTION

This application is being filed contemporaneously with U.S. Nonprovisional application Ser. No. 16/582,612, entitled Basement Drainage System with Flume Channel, which is hereby incorporated in its entirety by reference herein.

FIG. 1 is a front perspective view of a flume channel showing my design;

FIG. 2 is a rear perspective view of the flume channel shown in FIG. 1;

FIG. 3 is a front elevation view of the flume channel shown in FIGS. 1 and 2;

FIG. 4 is a side elevation view of the flume channel shown in FIGS. 1-3, with the opposite side elevation being a mirror image thereof;

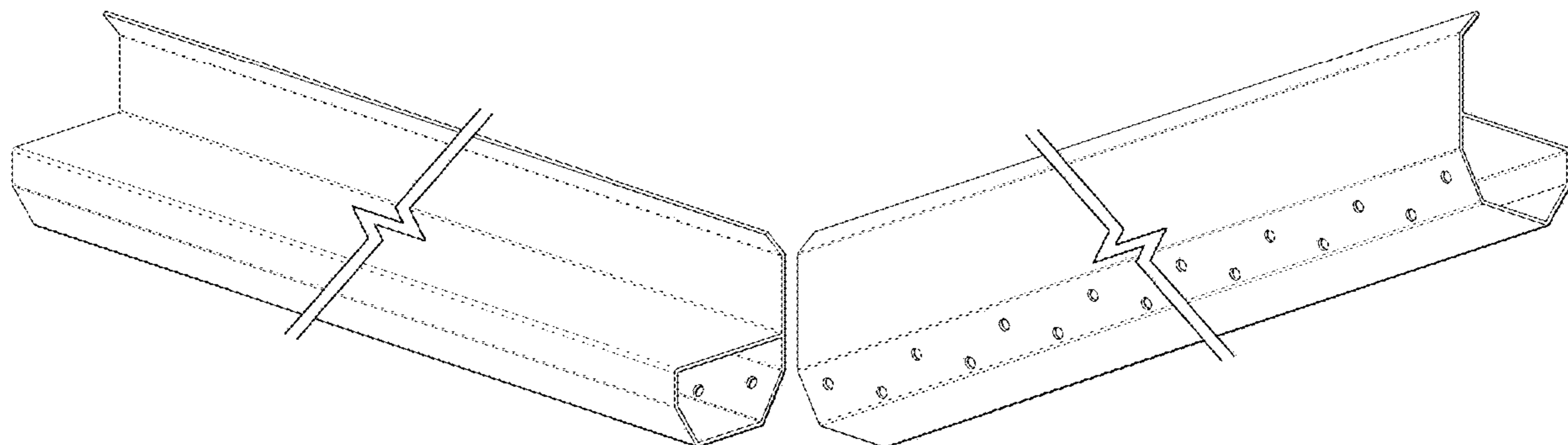
FIG. 5 is a rear elevation view of the flume channel shown in FIGS. 1-4;

FIG. 6 is a top view of the flume channel shown in FIGS. 1-5; and,

FIG. 7 is a bottom view of the flume channel shown in FIGS. 1-6.

The broken lines shown in the drawings show portions of the flume channel that form no part of the claimed design. The flume channel is shown with a symbolic break in its length. The appearance of any portion of the flume channel between the break lines form no part of the claim.

1 Claim, 5 Drawing Sheets



(56)

References Cited

U.S. PATENT DOCUMENTS

5,501,044	A	3/1996	Janesky	
D447,820	S *	9/2001	Grace	D25/119
6,301,836	B1 *	10/2001	Richardson	E04D 13/064 248/48.1
6,598,360	B1	7/2003	Pratt	
6,619,001	B1	9/2003	Pratt	
7,380,374	B1 *	6/2008	Pratt	E02D 31/02 405/43
D612,022	S *	3/2010	Nattrass	D23/267
7,832,150	B1	11/2010	Pratt	
7,836,640	B1	11/2010	Pratt	
8,186,127	B1	5/2012	Pratt	
8,307,587	B2	11/2012	Nordhoff	
8,596,002	B2	12/2013	Andras	
8,689,507	B2	4/2014	Chandler	
D808,504	S *	1/2018	Janesky	D23/261
D831,178	S *	10/2018	Van Wingerden	A01G 9/047 D23/267
2007/0044396	A1 *	3/2007	Janesky	E02D 31/02 52/169.5
2008/0190045	A1 *	8/2008	Janesky	E02D 31/02 52/169.5
2011/0041426	A1 *	2/2011	Trotter	E02D 31/02 52/169.5
2013/0036691	A1	2/2013	Janseky	

OTHER PUBLICATIONS

3x5 Basement Flume Interior Basement Drainage w/ Wall Riser; Basement Repair Warehouse website copyright 2019; Visited online Dec. 13, 2019; <https://basementrepairwarehouse.com/3-x-5-basement-flume-interior-basement-drainage-w-wall-riser-10-units-per-box-9-00-ft/> (Year: 2019).*

* cited by examiner

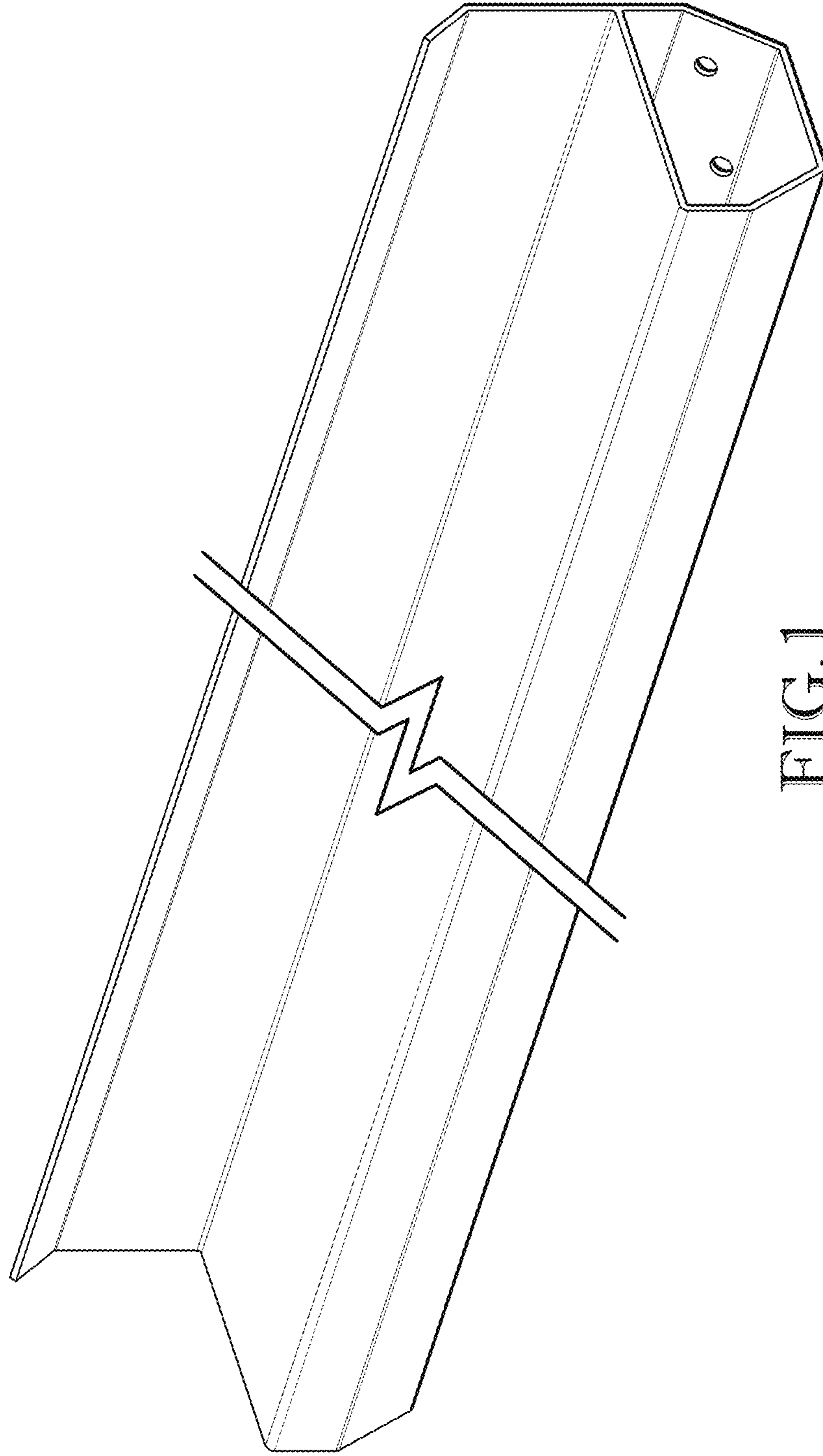


FIG. 1

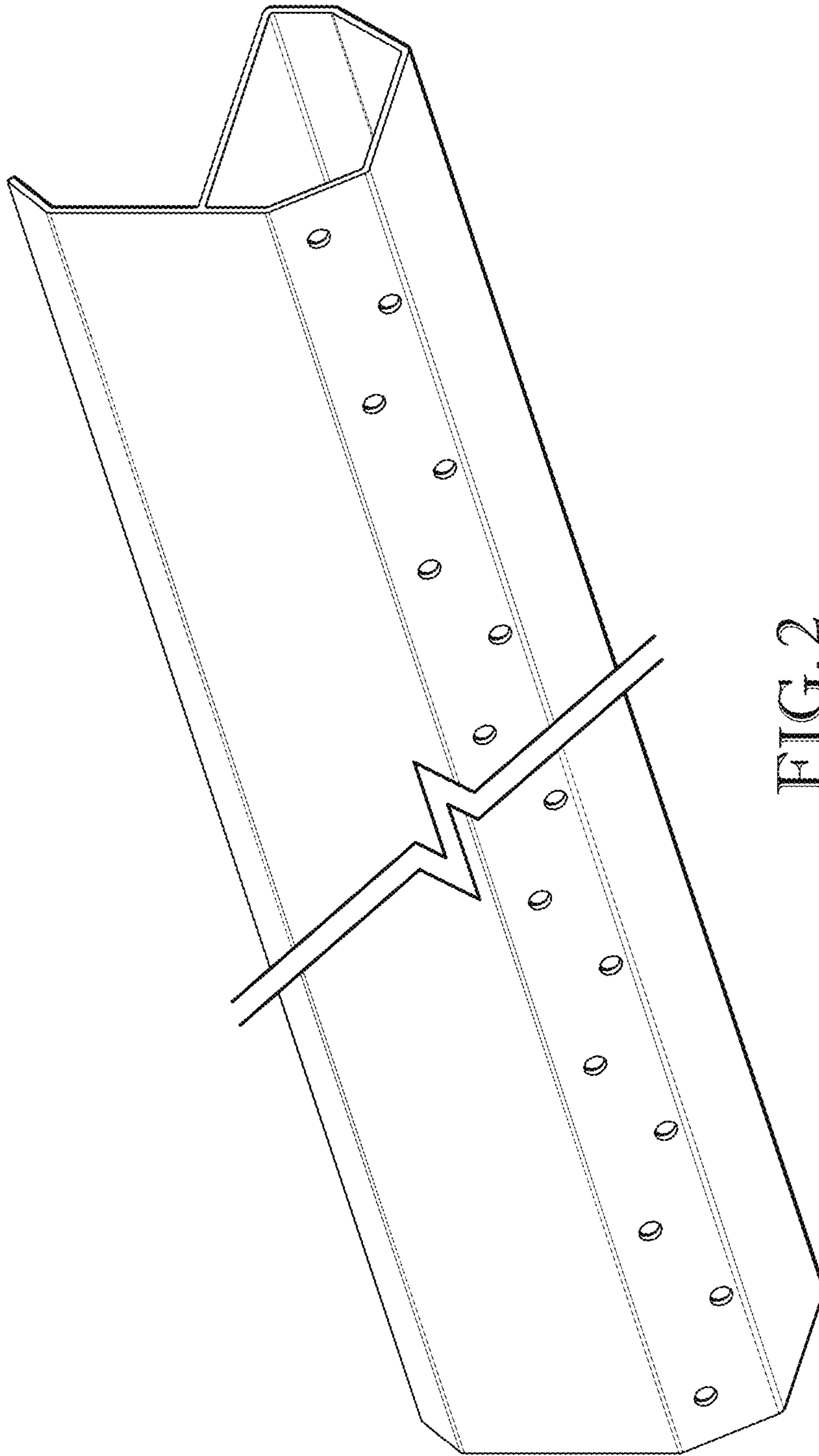


FIG. 2

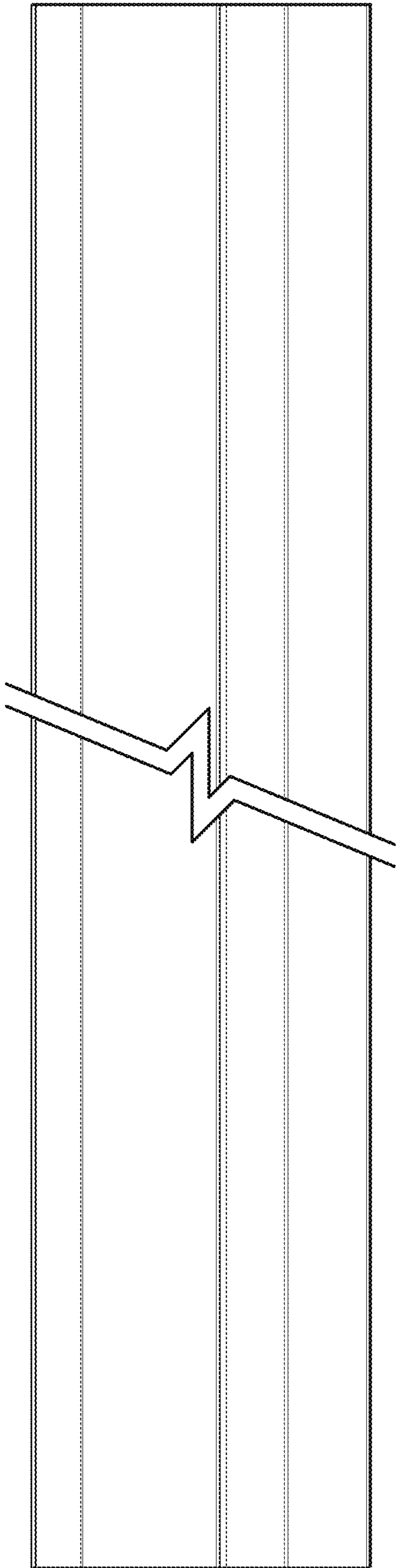


FIG. 3

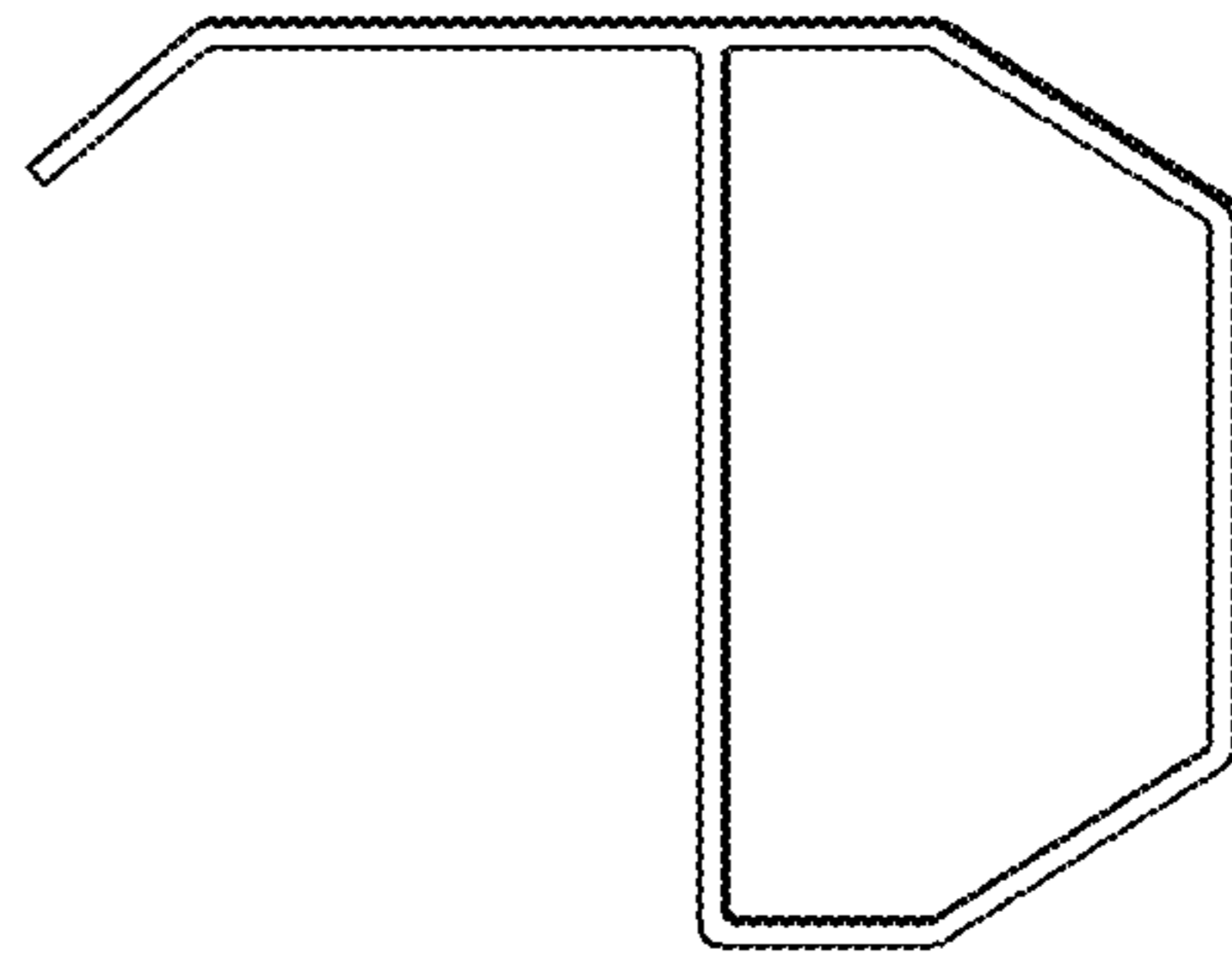


FIG. 4

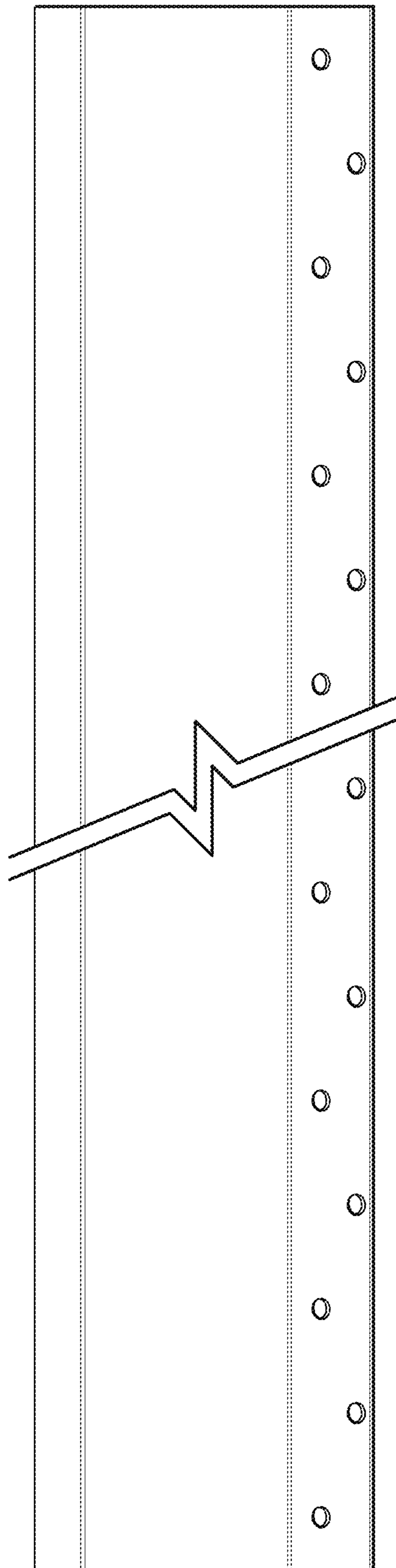


FIG. 5

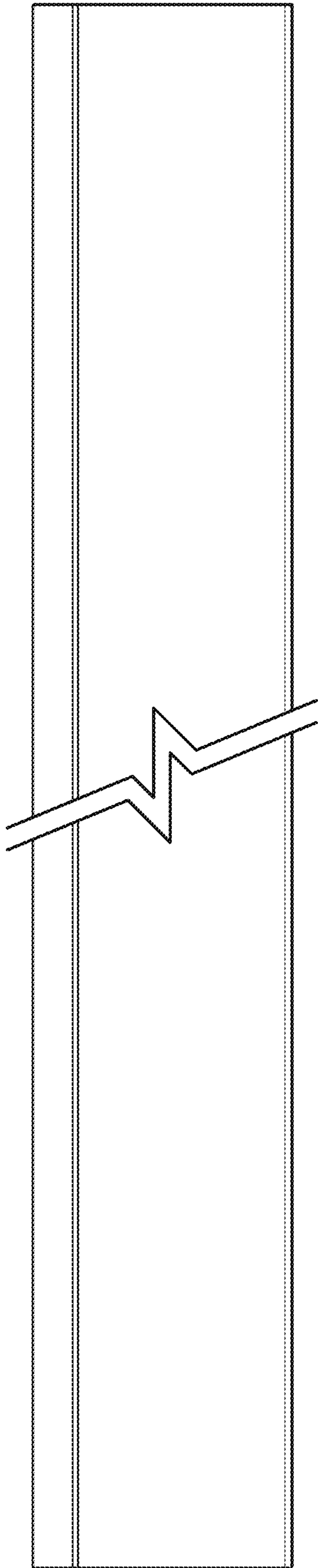


FIG. 6

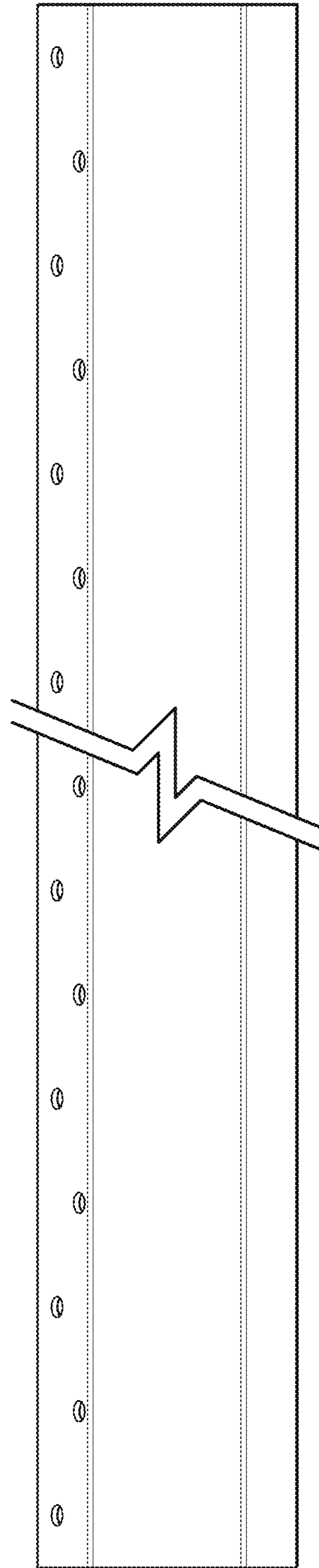


FIG. 7