



US00D881358S

(12) **United States Design Patent**
Huang

(10) **Patent No.:** **US D881,358 S**
(45) **Date of Patent:** **** Apr. 14, 2020**

(54) **HOSE**

(71) Applicant: **Huang Fu Huang**, Changhua County (TW)

(72) Inventor: **Huang Fu Huang**, Changhua County (TW)

(**) Term: **15 Years**

(21) Appl. No.: **29/688,391**

(22) Filed: **Apr. 21, 2019**

(51) **LOC (12) Cl.** **23-01**

(52) **U.S. Cl.**
USPC **D23/266**

(58) **Field of Classification Search**
USPC D23/259, 266, 261-265, 268, 200, 233, D23/235, 237; 138/37, 39, 44, 109-110, 138/118, 123-124, 137, 140, 169, 111, 138/115, 117, 118.1, 126, 128, 157, 172, 138/177-178; 137/247.21, 351, 355.12, 137/899; 285/125.1, 129.2, 131.1, 132.1, 285/302, 307-313, 394; 4/256.1, 679, 4/681, 686-687, 683-685, 696; D25/120-125

CPC F16L 11/00; F16L 11/085; F16L 11/04; F16L 11/10; F16L 11/14; F16L 9/003; F16L 9/006; F16L 9/19; F16L 11/121; F16L 11/22; E03C 1/23; E03C 1/232; E03C 1/2302; E03C 1/12; E03C 1/18; E03C 1/20; E03C 1/22; E03C 1/24; E03C 1/242

See application file for complete search history.

4,374,881 A * 2/1983 Hamilton B29C 61/0608
138/109

D462,458 S * 9/2002 Hughes D25/122

D475,439 S * 6/2003 Lin D23/266

D488,545 S * 4/2004 Takamatu D23/266

D498,825 S * 11/2004 Fu D23/266

6,951,227 B1 * 10/2005 Su F16L 11/22
138/109

7,422,035 B2 * 9/2008 Wu F16L 9/003
138/115

D604,810 S * 11/2009 Lin D23/266

D621,073 S * 8/2010 Bergmann D25/122

2004/0123914 A1 * 7/2004 Chih F16L 11/121
138/115

2005/0087251 A1 * 4/2005 Sumitomo F16L 11/121
138/177

2008/0072983 A1 * 3/2008 Wu F16L 9/003
138/118

* cited by examiner

Primary Examiner — Eric L Goodman
Assistant Examiner — Amy C Wierenga

(57) **CLAIM**

The ornamental design for hose, as shown and described.

DESCRIPTION

FIG. 1 is a perspective view of a hose showing our new design;
FIG. 2 is a front view thereof;
FIG. 3 is a rear view thereof;
FIG. 4 is a left view thereof;
FIG. 5 is a right view thereof;
FIG. 6 is a top view thereof; and,
FIG. 7 is a bottom view thereof.

The hose is shown with a symbolic break in its length. The appearance of any portion of the article between the break lines forms no part of the claim.

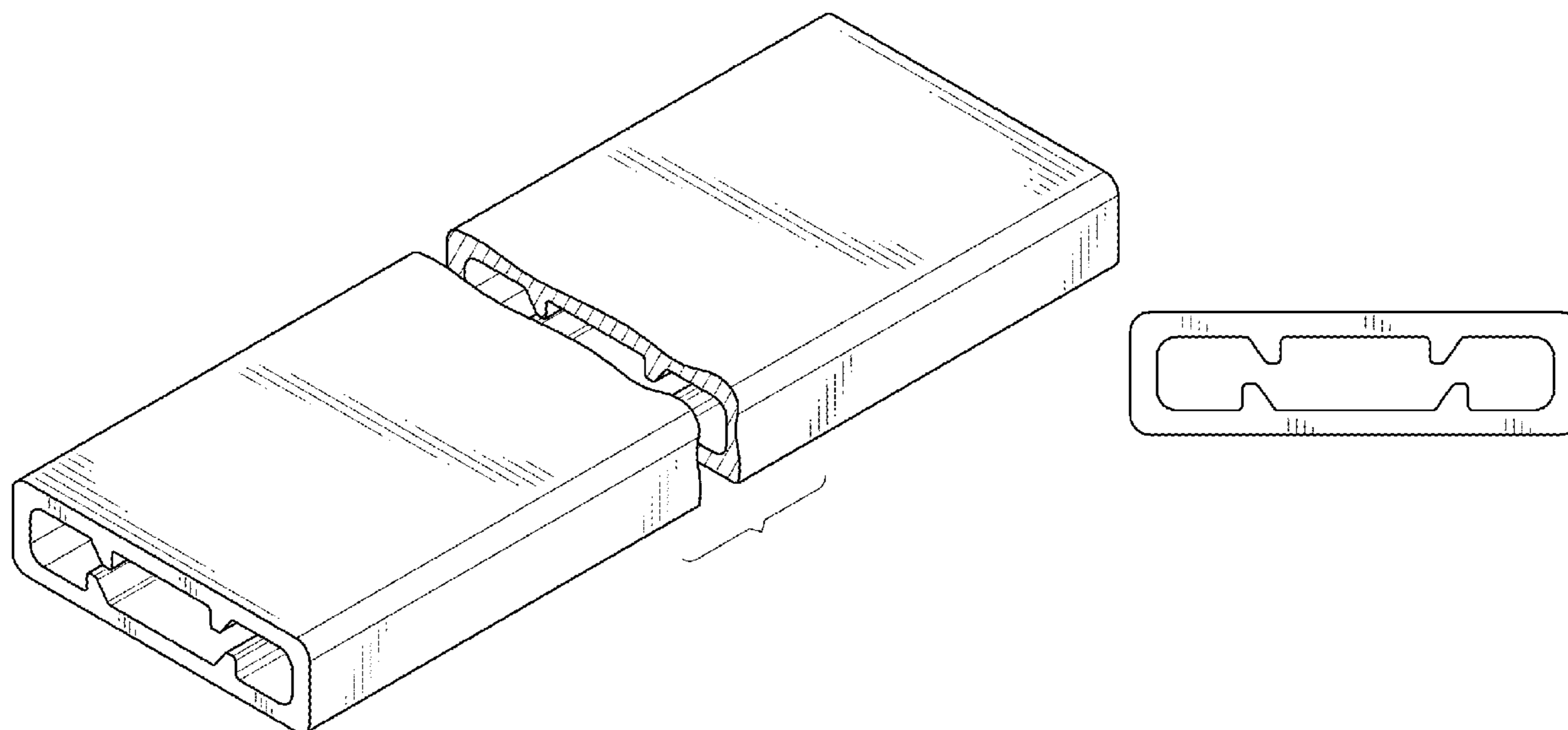
1 Claim, 5 Drawing Sheets

(56) **References Cited**

U.S. PATENT DOCUMENTS

D34,968 S * 8/1901 McRoy D23/266

4,257,422 A * 3/1981 Duncan A61M 27/00
138/103



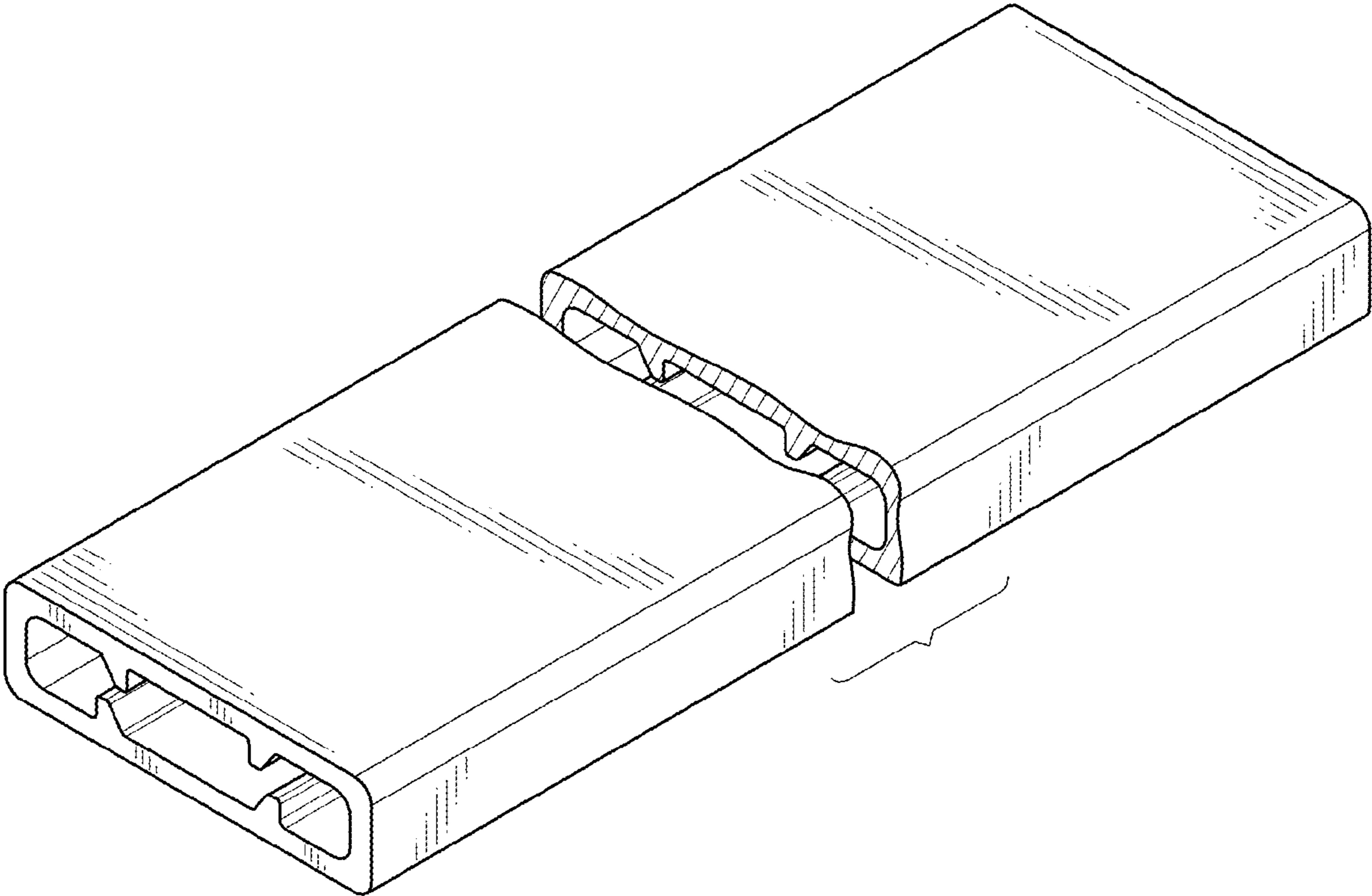


FIG. 1

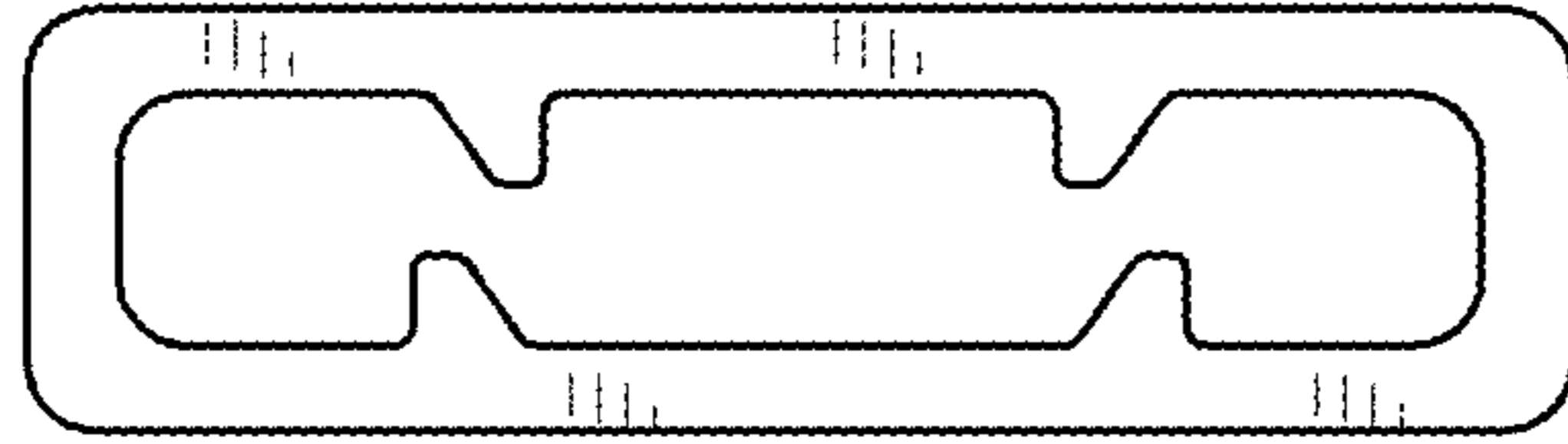


FIG. 2



FIG. 3

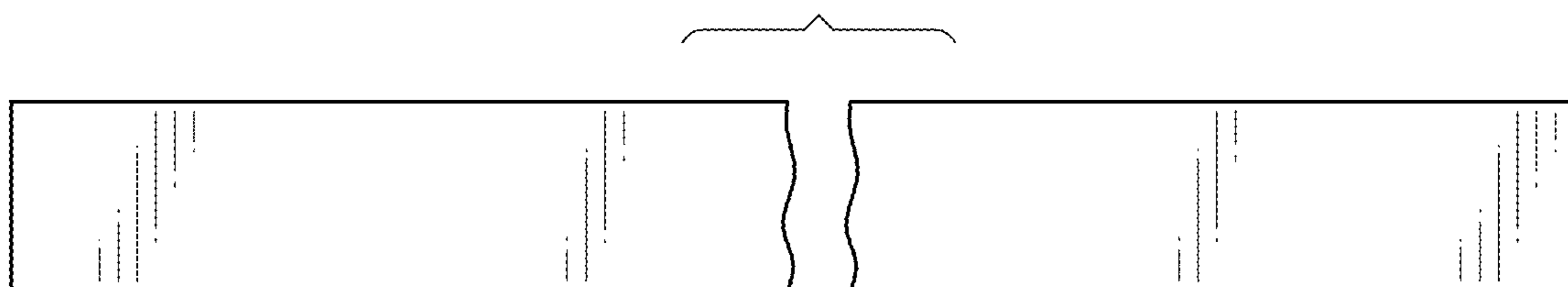


FIG. 4

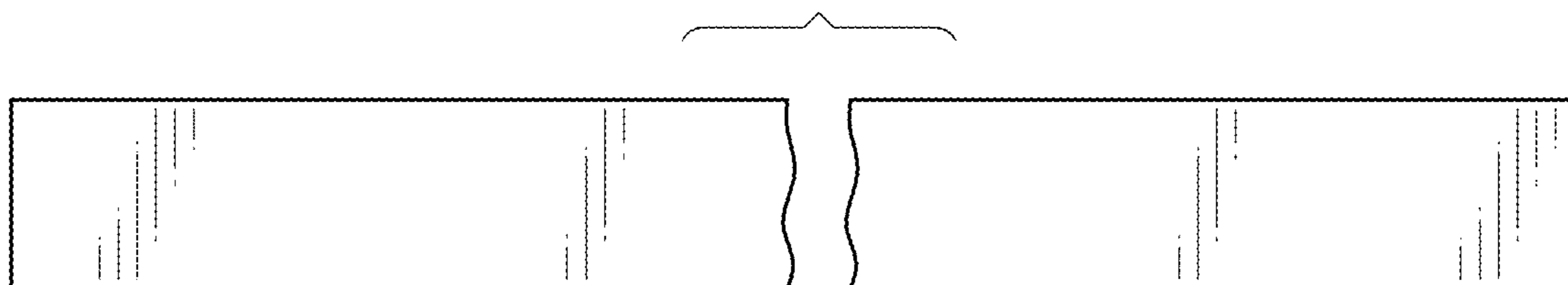


FIG. 5

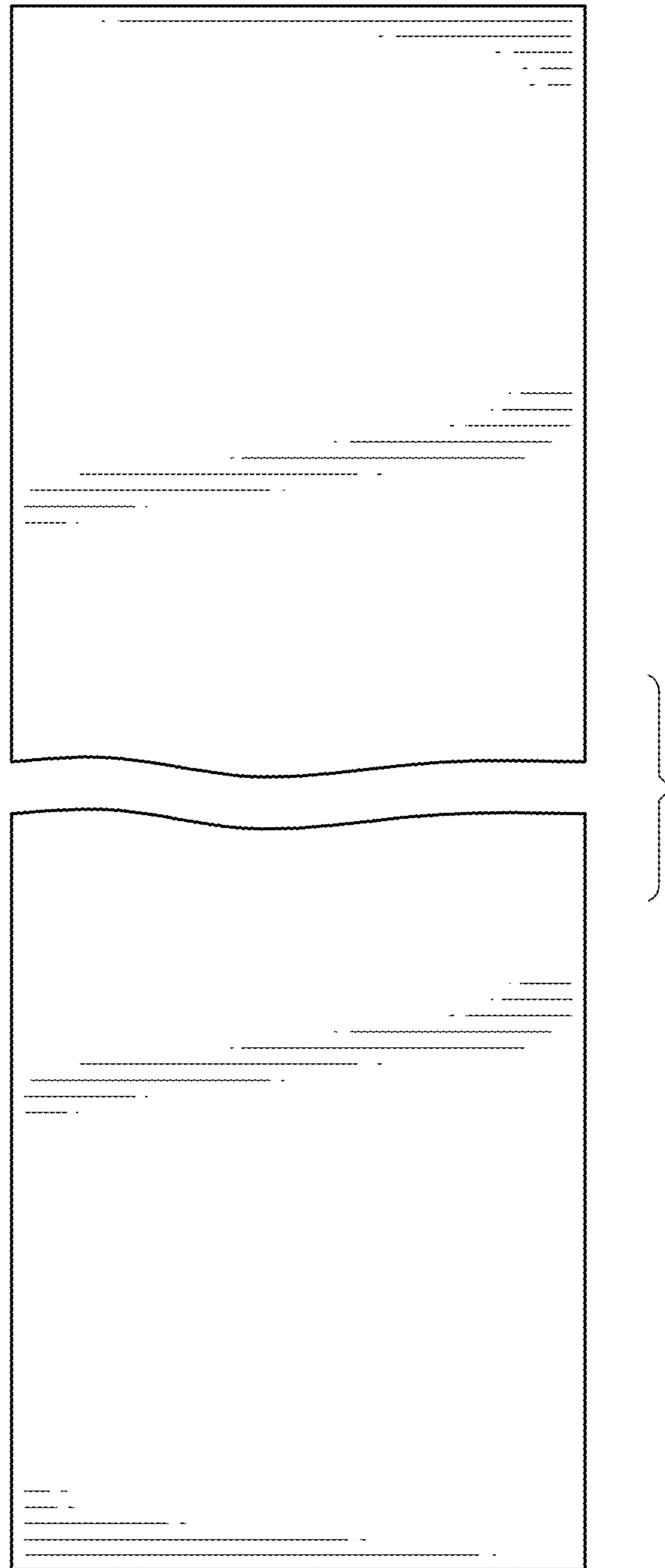


FIG. 6

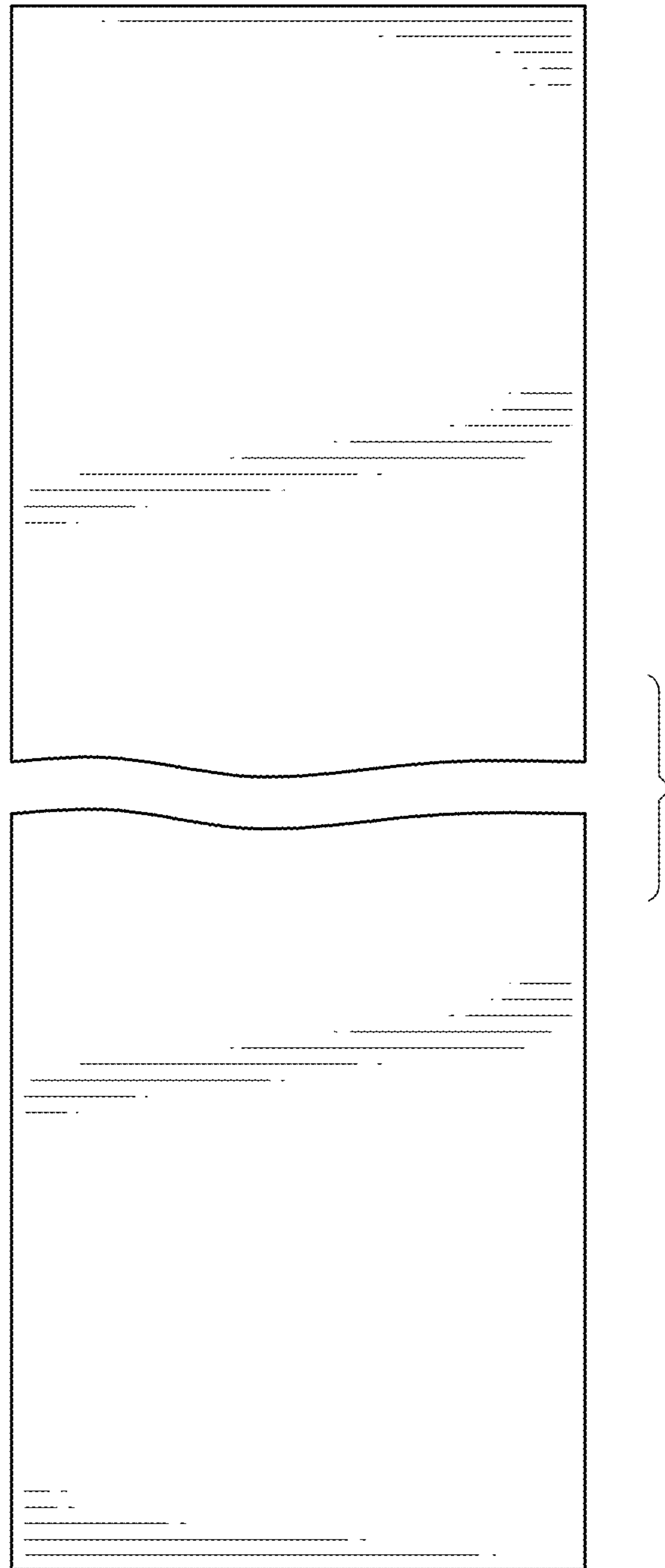


FIG. 7