



US00D881356S

(12) **United States Design Patent** (10) **Patent No.:** **US D881,356 S**  
**Mezzalira** (45) **Date of Patent:** **\*\* Apr. 14, 2020**

(54) **HOSE COUPLING**  
(71) Applicant: **Fitt S.p.A.**, Sandrigo, Vicenza OT (IT)  
(72) Inventor: **Alessandro Mezzalira**, Vicenza (IT)  
(73) Assignee: **Fitt S.p.A.**, Sandrigo (VI) (IT)

D854,128 S \* 7/2019 Norton ..... D23/266  
D863,021 S \* 10/2019 Papafagos ..... D8/303  
2007/0113912 A1 \* 5/2007 Lawrence ..... B29C 45/1676  
138/121  
2014/0246851 A1 \* 9/2014 Mager ..... F16L 33/2076  
285/256  
2017/0146168 A1 \* 5/2017 Caprio ..... B60T 17/04  
2017/0363236 A1 \* 12/2017 Rose ..... F16L 33/2076

(\*\*) Term: **15 Years**

**OTHER PUBLICATIONS**

(21) Appl. No.: **29/669,447**

Fit Flow; The Hose Anti-Kink; Fit USA Website; <https://www.fitt-usa.com/fitt-flow/> (Year: 2019).\*

(22) Filed: **Nov. 8, 2018**

Fit Flow; The Couplings; Fit USA Website; <https://www.fitt-usa.com/fitt-force/> (Year: 2019).\*

(51) **LOC (12) Cl.** ..... **23-01**

(52) **U.S. Cl.**  
USPC ..... **D23/262**

\* cited by examiner

(58) **Field of Classification Search**  
USPC ..... D23/259, 262-266, 245, 213, 233, 235;  
285/197-200; 137/315.23, 798;  
138/109-110, 155, 96 T; D13/133, 151;  
D8/382, 396  
CPC ..... F16L 37/252; F16L 43/00  
See application file for complete search history.

*Primary Examiner* — Amy C Wierenga  
(74) *Attorney, Agent, or Firm* — Kilyk & Bowersox,  
P.L.L.C.

(57) **CLAIM**

The ornamental design for a hose coupling, as shown and described.

(56) **References Cited**

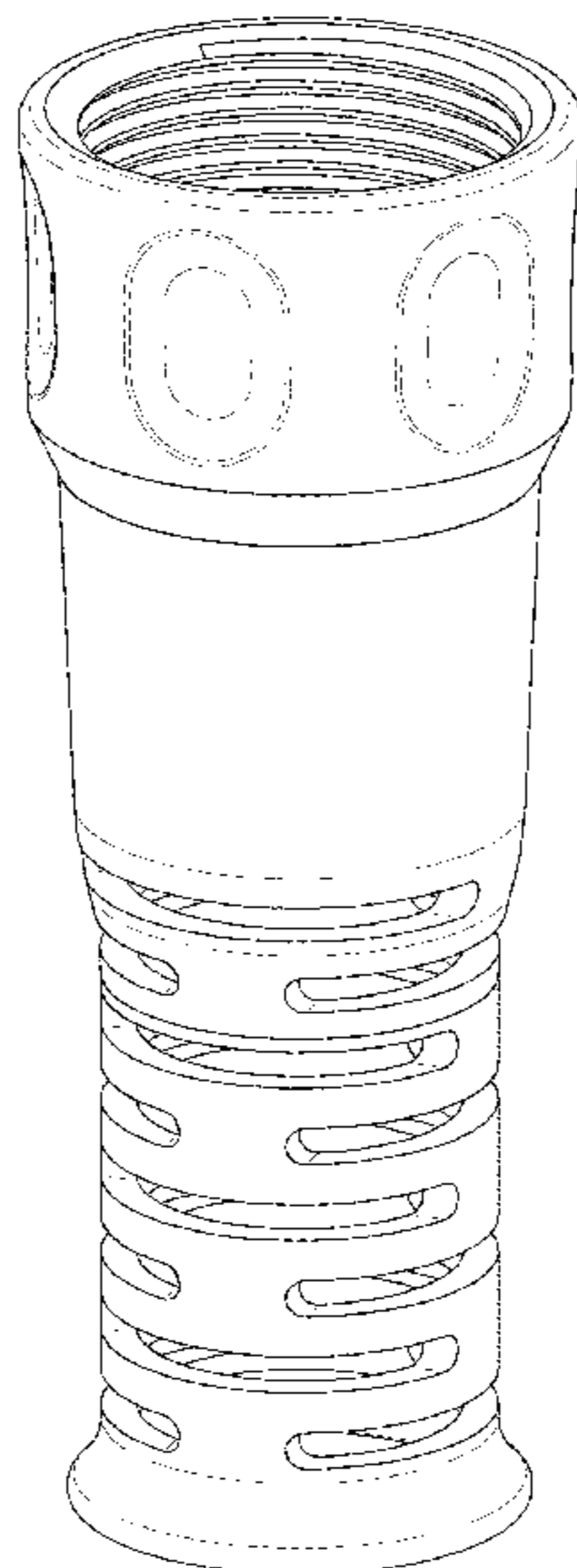
**DESCRIPTION**

**U.S. PATENT DOCUMENTS**

4,099,748 A \* 7/1978 Kavick ..... F16L 33/2076  
285/256  
D449,465 S 10/2001 Tabbia  
D500,475 S \* 1/2005 Noro ..... D13/133  
D501,539 S \* 2/2005 Dyer, III ..... D23/262  
D593,186 S \* 5/2009 van der Meijden ..... D23/266  
D616,969 S \* 6/2010 Zore ..... D23/262  
D665,481 S \* 8/2012 Bloink ..... D23/259  
D707,334 S \* 6/2014 Hernandez ..... D23/266  
D719,646 S \* 12/2014 Melo ..... D23/266  
D719,647 S 12/2014 Melo  
D723,670 S \* 3/2015 Lorraine ..... D23/266  
D725,749 S 3/2015 Mezzalira et al.  
9,249,912 B2 \* 2/2016 Flynn ..... F16L 33/22  
9,261,213 B2 \* 2/2016 Mager ..... F16L 33/2076  
D833,585 S \* 11/2018 Khubani ..... D23/262

FIG. 1 is a top, front, right-side perspective view of a hose coupling;  
FIG. 2 is a front view of the hose coupling shown in FIG. 1;  
FIG. 3 is a rear view of the hose coupling shown in FIGS. 1 and 2;  
FIG. 4 is a right-side view of the hose coupling shown in FIGS. 1-3;  
FIG. 5 is a left-side view of the hose coupling shown in FIGS. 1-4;  
FIG. 6 is a top view of the hose coupling shown in FIGS. 1-5; and,  
FIG. 7 is a bottom view of the hose coupling shown in FIGS. 1-6.

**1 Claim, 6 Drawing Sheets**



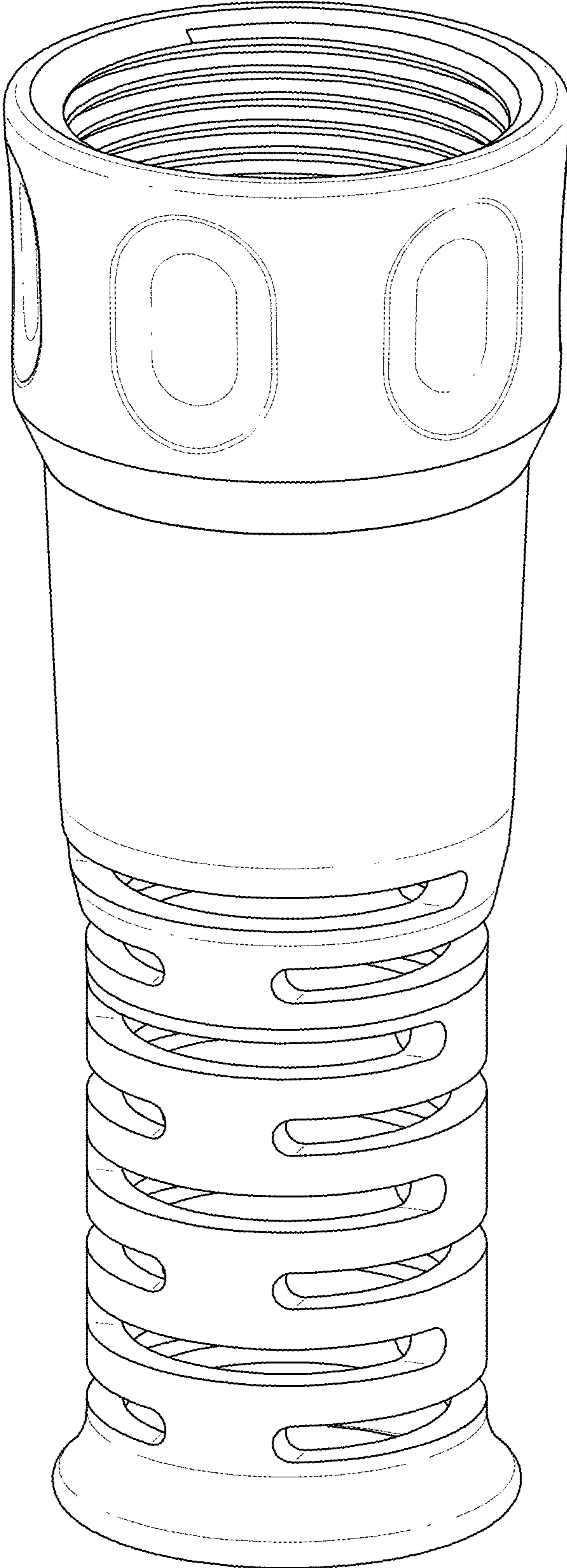


FIG. 1

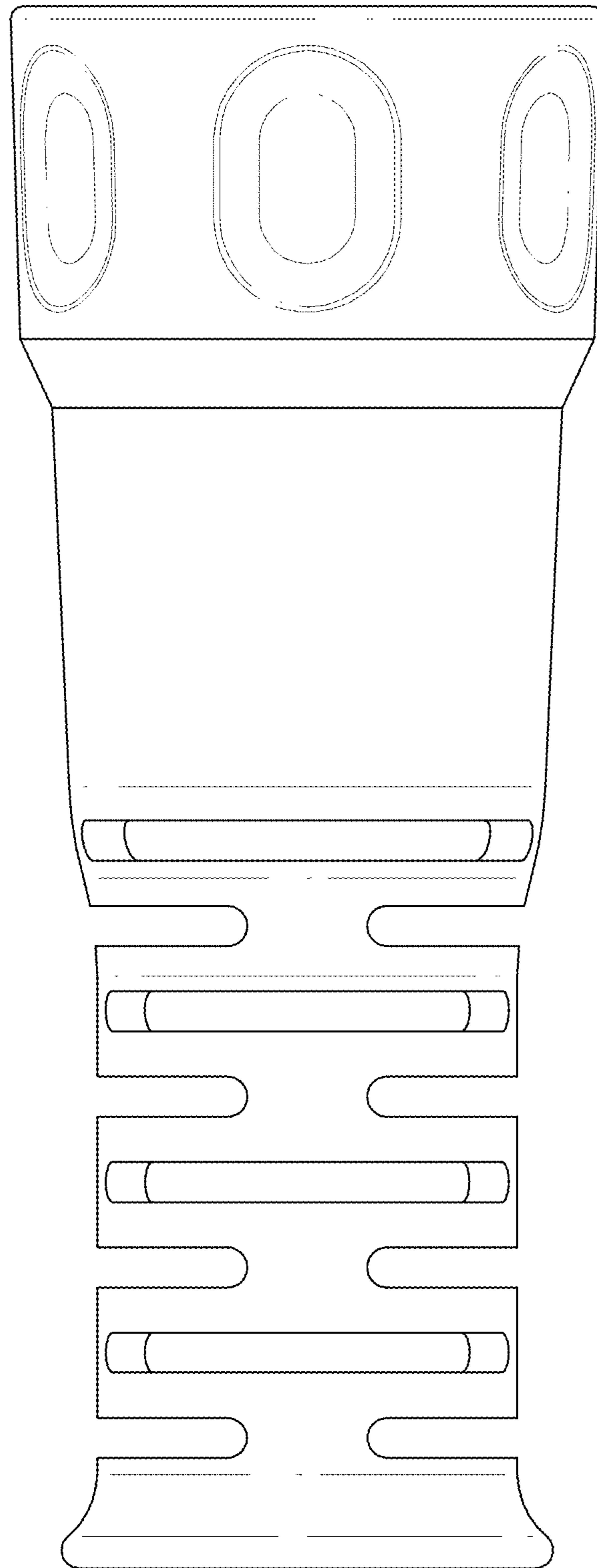


FIG. 2

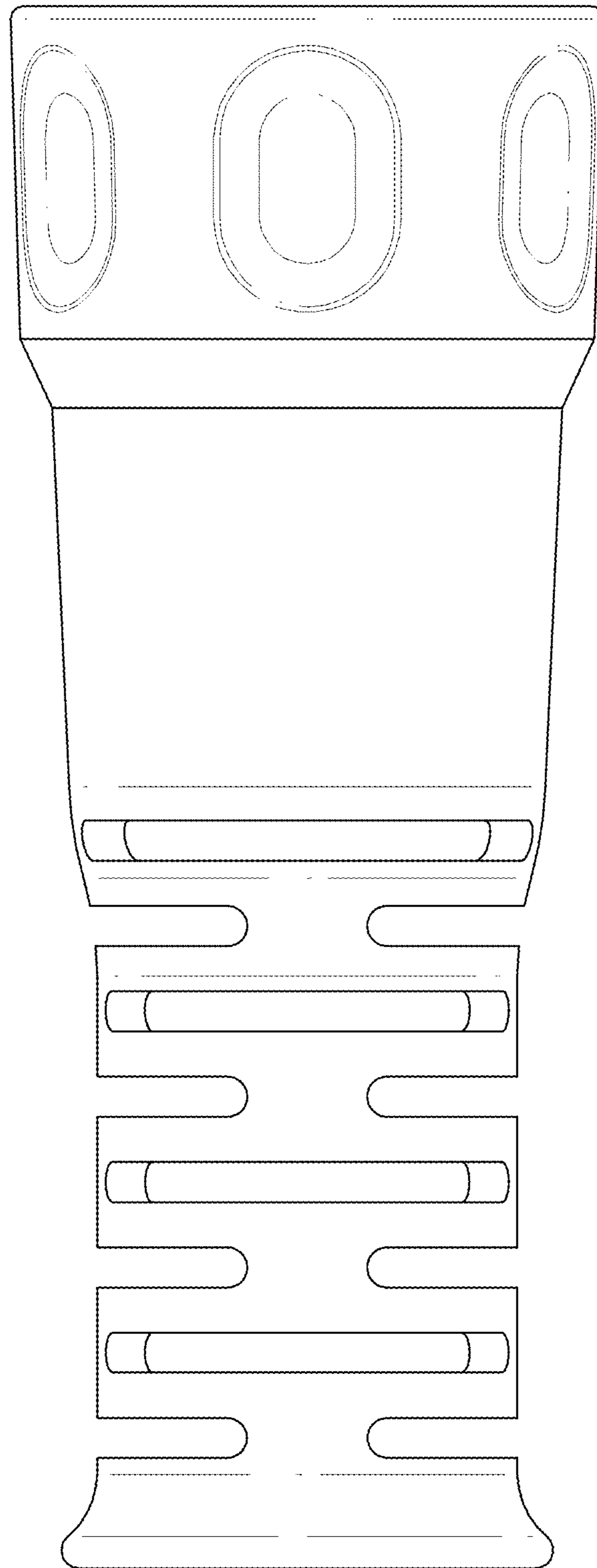


FIG. 3

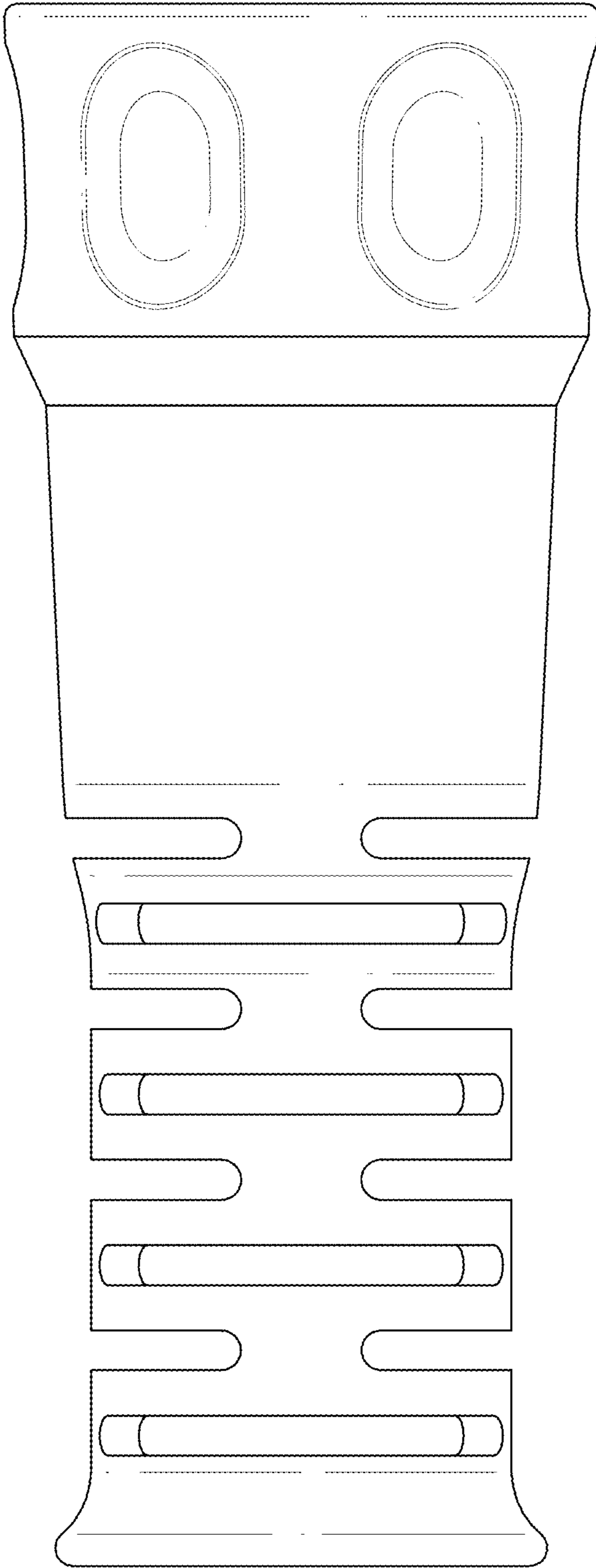


FIG. 4

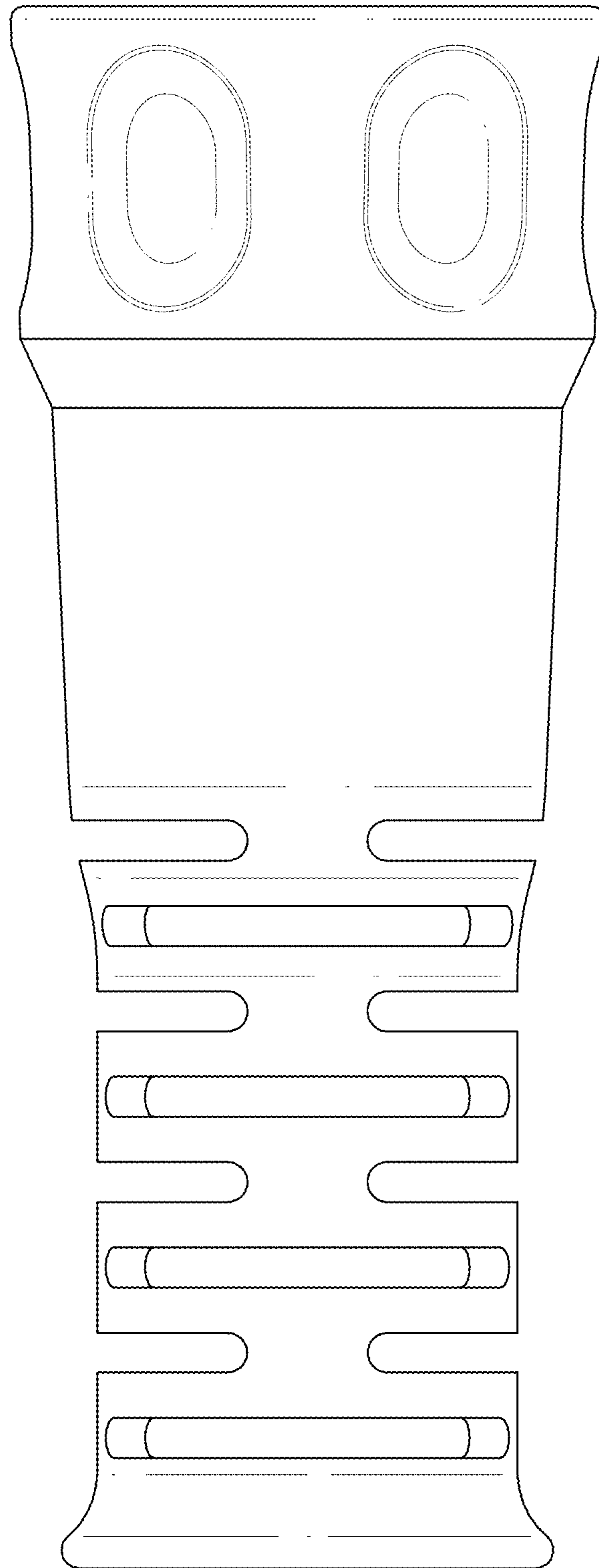


FIG. 5



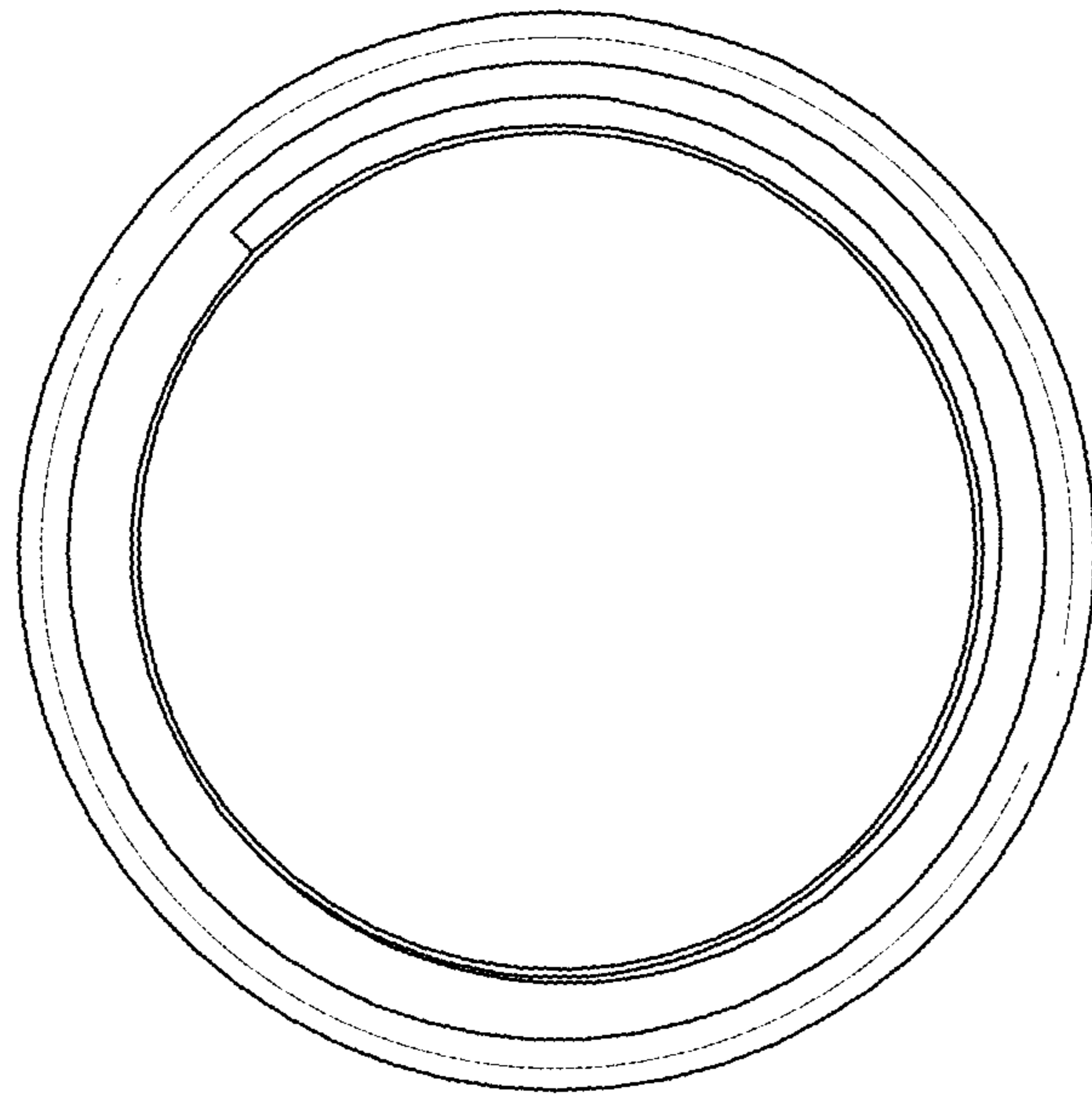


FIG. 6

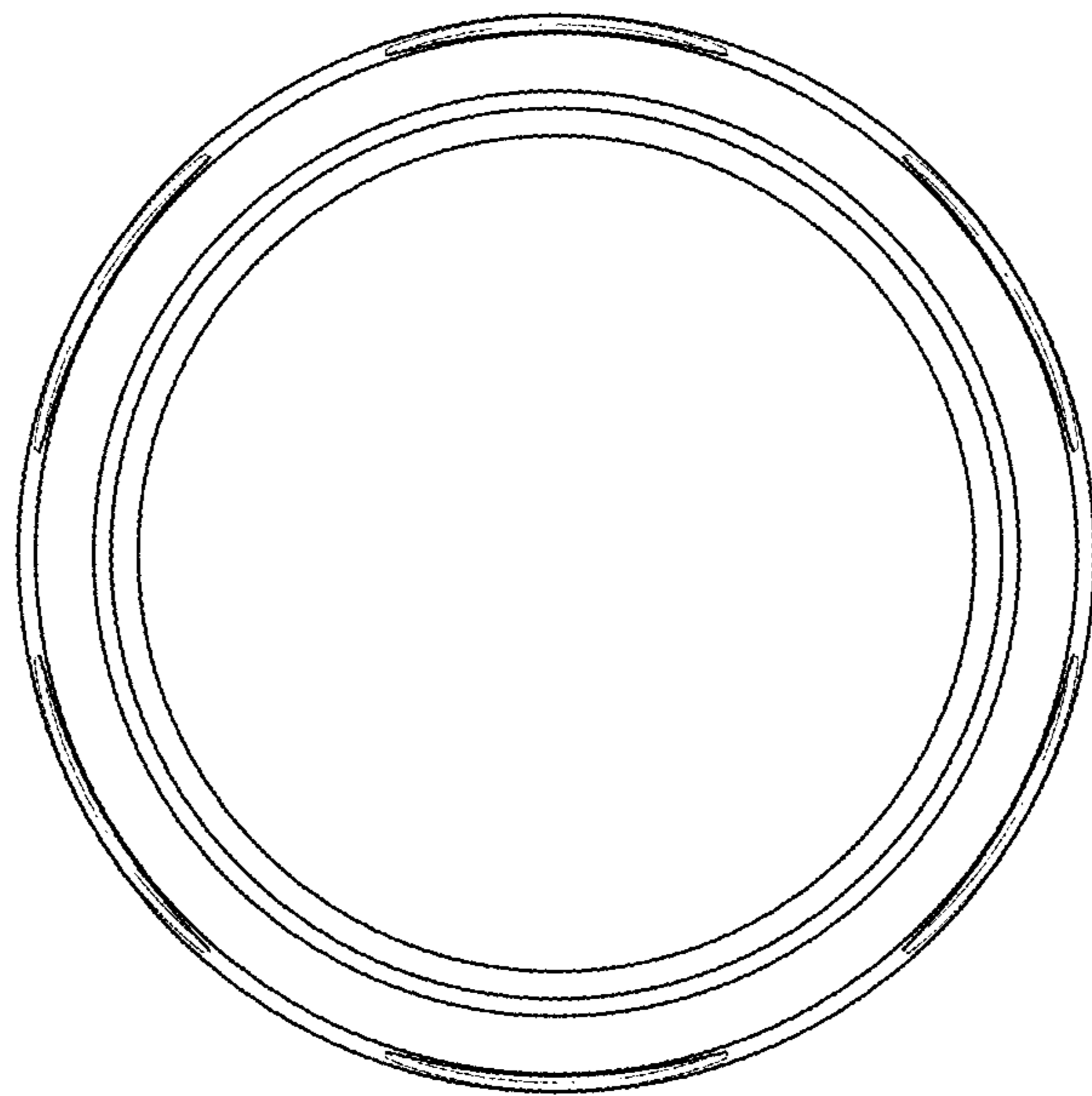


FIG. 7