



US00D881354S

(12) **United States Design Patent**
Krombein

(10) **Patent No.:** **US D881,354 S**

(45) **Date of Patent:** **** Apr. 14, 2020**

(54) **INLET APPARATUS**

(71) Applicant: **Todd Krombein**, Phoenix, AZ (US)

(72) Inventor: **Todd Krombein**, Phoenix, AZ (US)

(**) Term: **15 Years**

(21) Appl. No.: **29/583,458**

(22) Filed: **Nov. 4, 2016**

(51) **LOC (12) Cl.** **23-01**

(52) **U.S. Cl.**
USPC **D23/259**

(58) **Field of Classification Search**
USPC D23/259–261, 262, 208–210, 267–268,
D23/386, 397, 400, 406, 304, 235, 269,
D23/227; 210/164, 163, 156, 459–460;
4/222.1, 255.07, 286–293, 680–682, 694,
4/609, 650–653, 294, 490, 496, 541.6,
4/501, 505, 507; 239/548, 552, 555–556,
239/558, 592; 137/454.2
CPC ... E03C 1/23; E03C 1/26; E03C 1/262; E03C
1/22; E03C 1/264; E03C 1/03; E03C
1/24; E03C 1/28; E03C 1/298; E03F
5/0404; E03F 5/06; F16L 11/00; F16L
37/252; E04H 4/1236; E04H 4/169; B08B
9/0936; F15D 1/0005; E04D 13/0409
See application file for complete search history.

(56) **References Cited**

U.S. PATENT DOCUMENTS

D227,888 S *	7/1973	Felix	D23/262
D334,051 S *	3/1993	Fell, Sr.	D23/262
D336,510 S *	6/1993	Sawtelle	D23/262
D398,997 S *	9/1998	Taylor	D23/386
D439,637 S *	3/2001	Davies	D23/262
6,340,035 B2	1/2002	Wright	
D574,931 S *	8/2008	Hughes	D23/262
D578,619 S *	10/2008	Rattenbury	D23/261
D598,523 S *	8/2009	McAlpine	D23/268
D598,987 S *	8/2009	McAlpine	D23/268

D614,267 S *	4/2010	Breda	D23/261
D626,208 S *	10/2010	Clements	D23/365
D651,291 S *	12/2011	Liebson	D23/262
D657,848 S *	4/2012	Howson	D23/261
D665,491 S *	8/2012	Goel	D15/144
8,713,724 B1 *	5/2014	Goetl	E04H 4/1236 4/507
D710,485 S *	8/2014	Nudo	D23/262
D737,413 S *	8/2015	Drury	D23/262
D747,444 S *	1/2016	Gledhill	D23/262

(Continued)

OTHER PUBLICATIONS

Screenshot of Pentair website, Images retrieved from <<http://www.pentairpool.com/partslists/white-goods-adjustable-floor-inlet-fitting-replacement-parts-list-61.htm>> printed Feb. 8, 2017 in 1 page.

Primary Examiner — Amy C Wierenga

(74) *Attorney, Agent, or Firm* — Knobbe Martens Olson & Bear LLP

(57) **CLAIM**

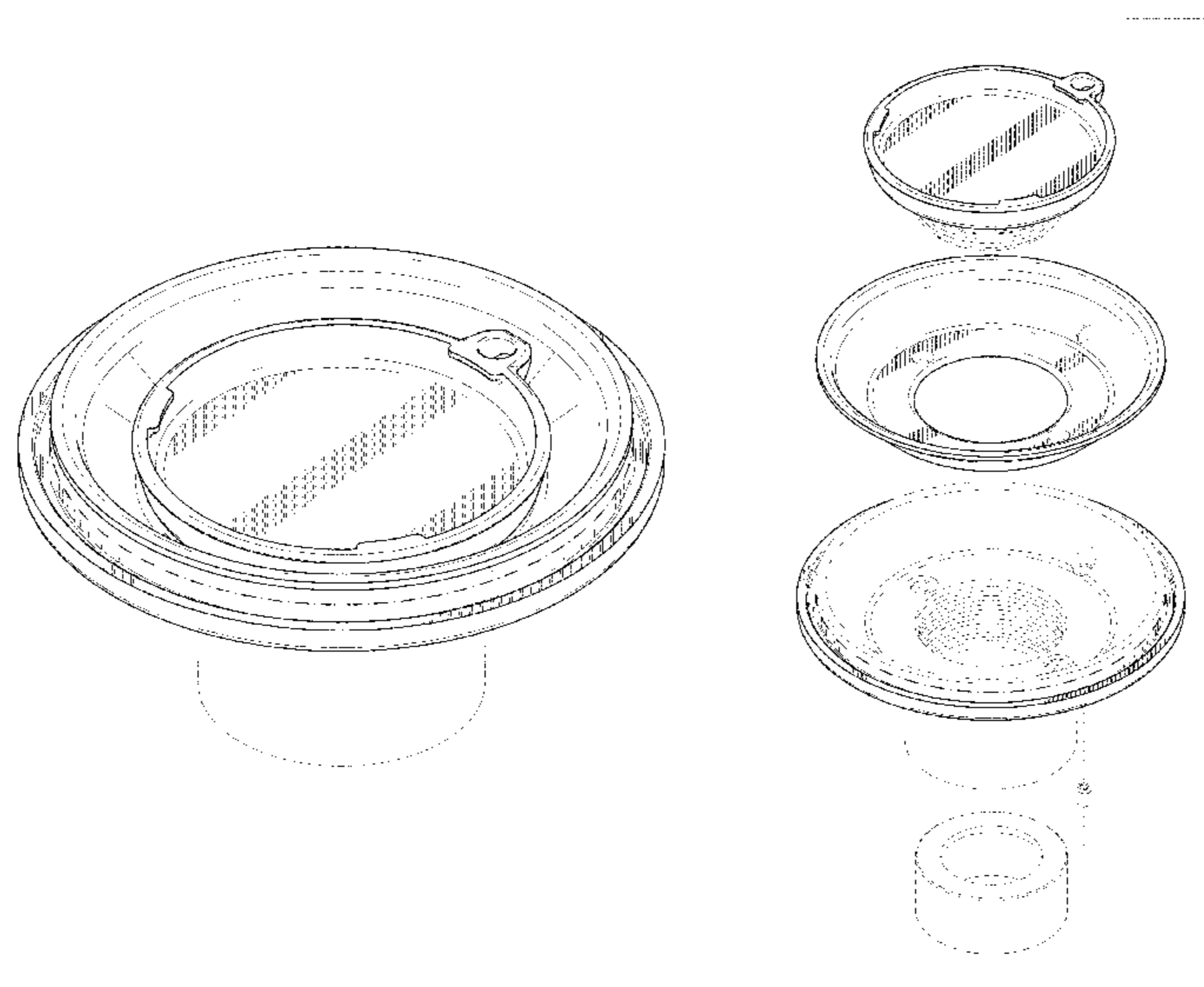
The ornamental design for an inlet apparatus, as shown and described.

DESCRIPTION

FIG. 1 is a top-side isometric view of an inlet apparatus; FIG. 2 is an exploded top-side isometric view thereof scaled to 60% (percent); FIG. 3 is a bottom-side isometric view thereof; FIG. 4 is a first side view thereof; FIG. 5 is a second side view thereof; FIG. 6 is a third side view thereof; FIG. 7 is a fourth side view thereof; FIG. 8 is a top view thereof; and, FIG. 9 is a bottom view thereof.

The evenly dashed broken lines shown in the drawings represent portions of the inlet apparatus that form no part of the claim. The dash-dot broken lines illustrate boundaries that form no part of the claim.

1 Claim, 7 Drawing Sheets



(56)

References Cited

U.S. PATENT DOCUMENTS

D750,208 S *	2/2016	VanderBoegh	D23/268
9,267,303 B1 *	2/2016	Goetl	E04H 4/00
D751,677 S *	3/2016	Drury	D23/262
D779,315 S *	2/2017	Hinkle	D23/262
D792,962 S *	7/2017	Honeyball	D23/386
2016/0258146 A1 *	9/2016	Sisto	E03F 5/06

* cited by examiner

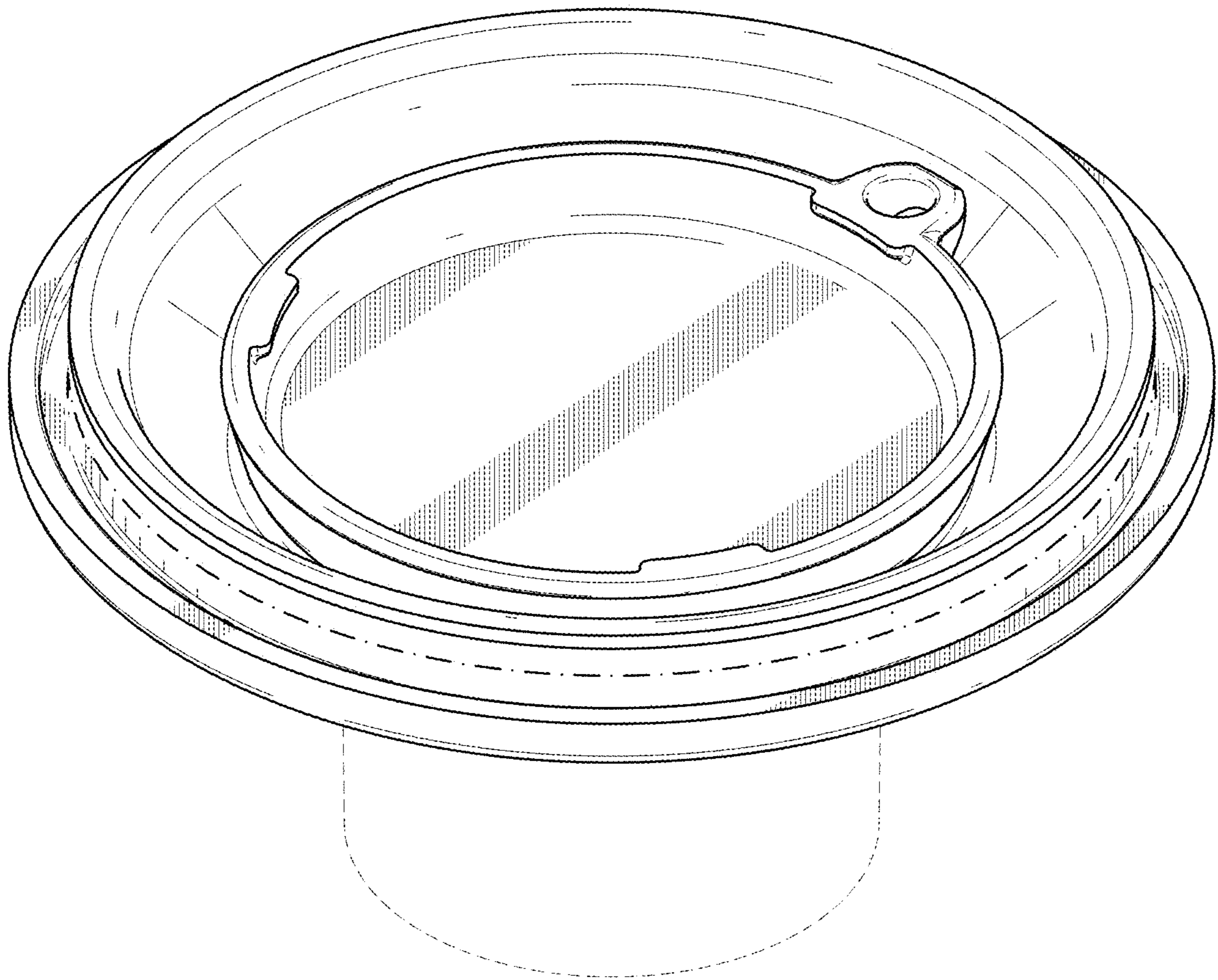


FIG. 1

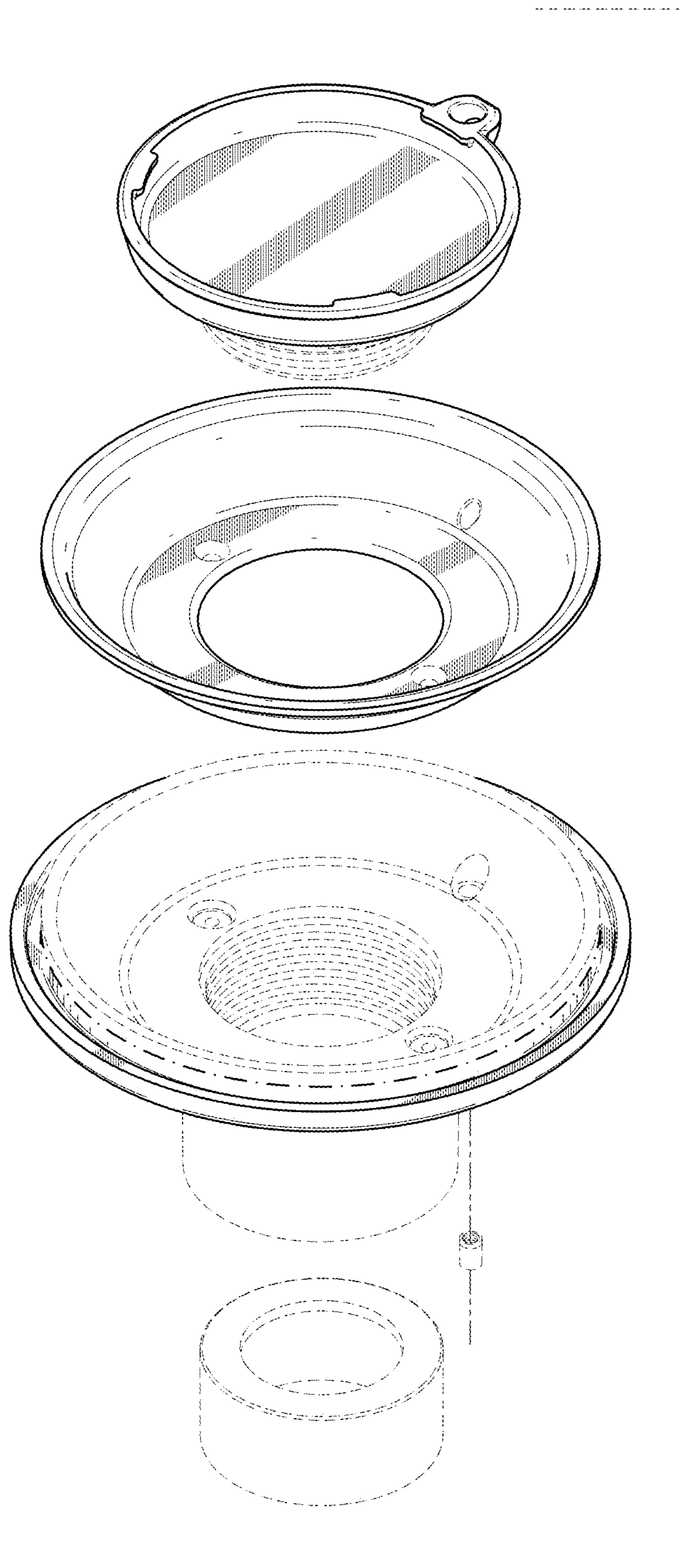


FIG. 2

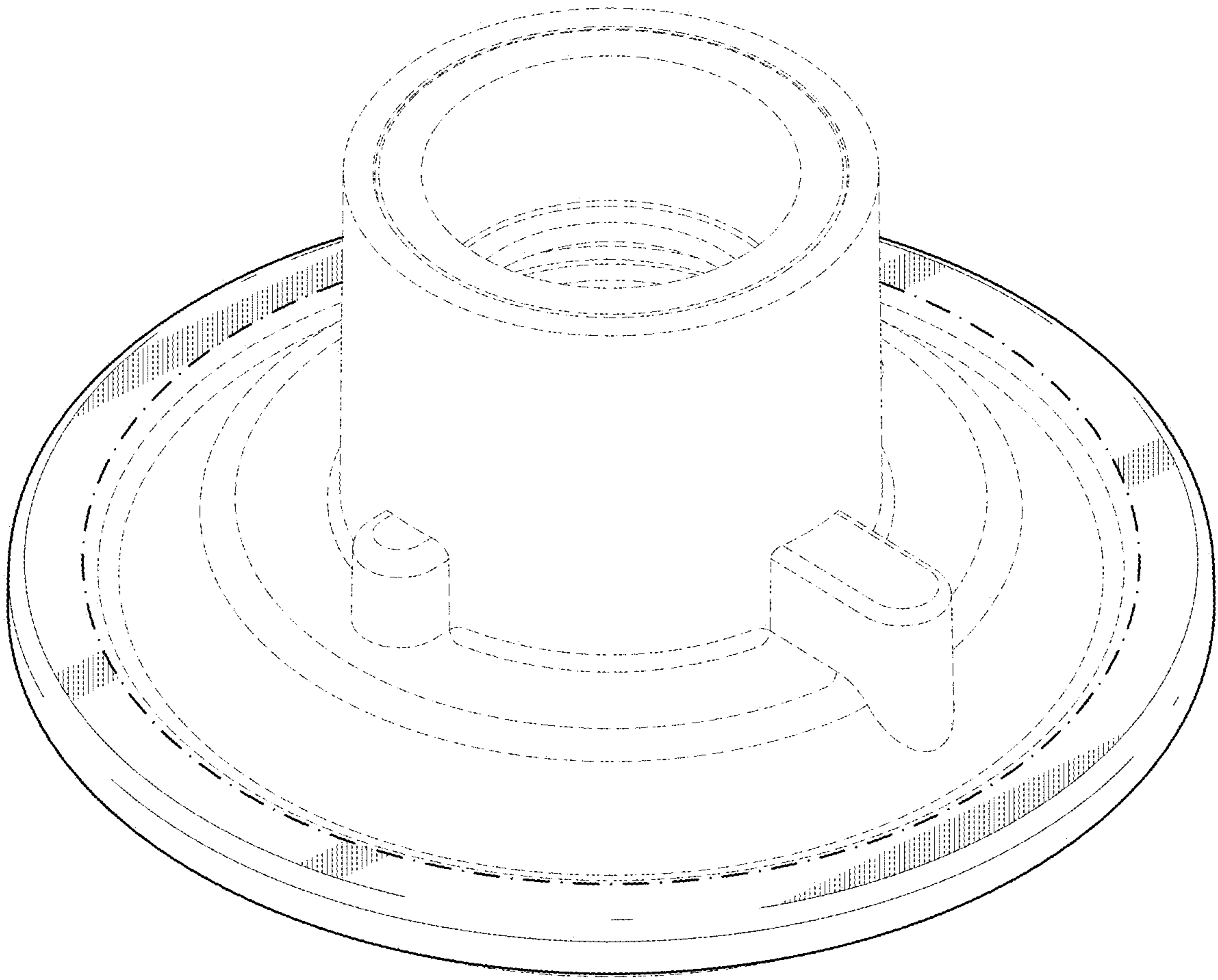


FIG. 3

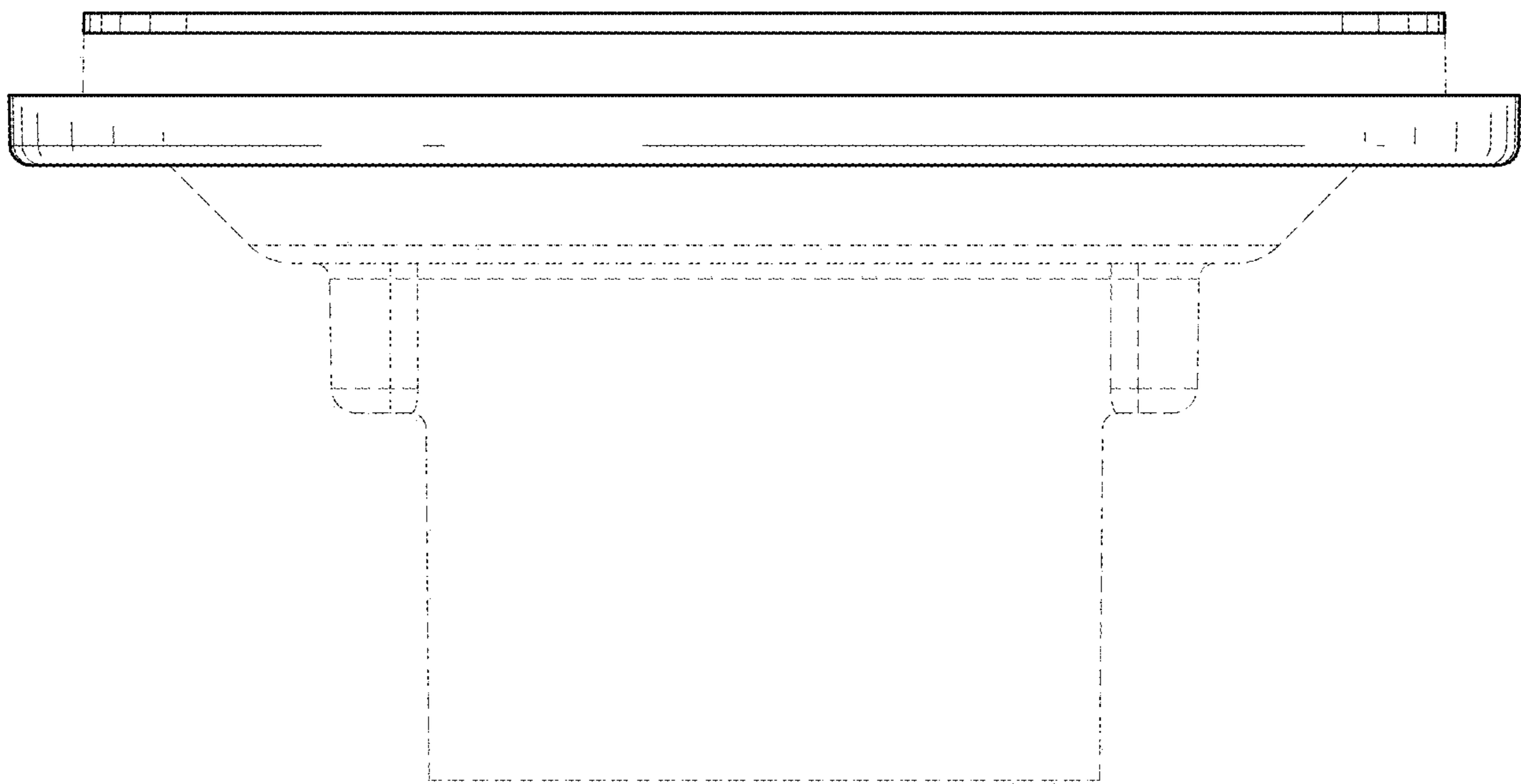


FIG. 4

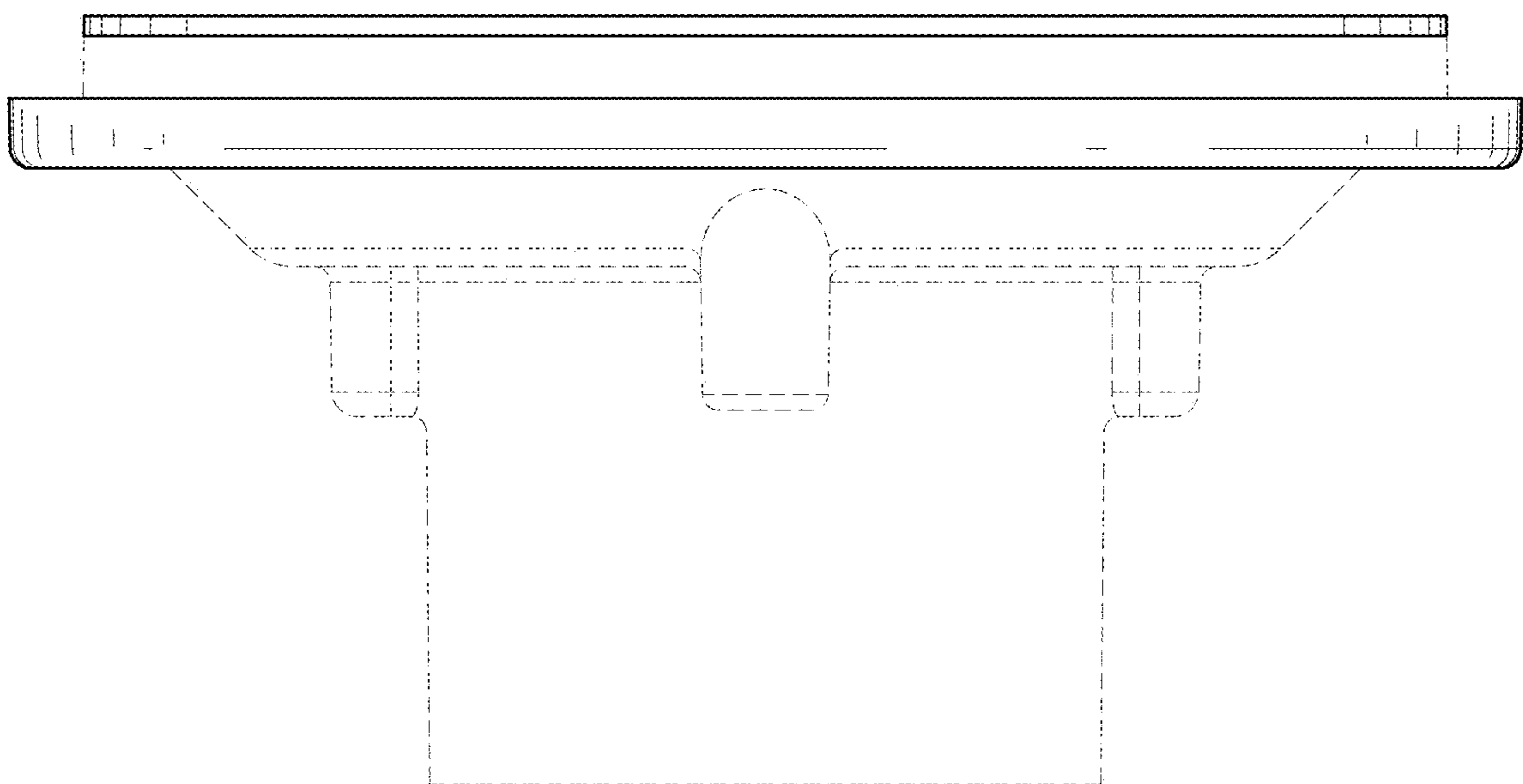


FIG. 5

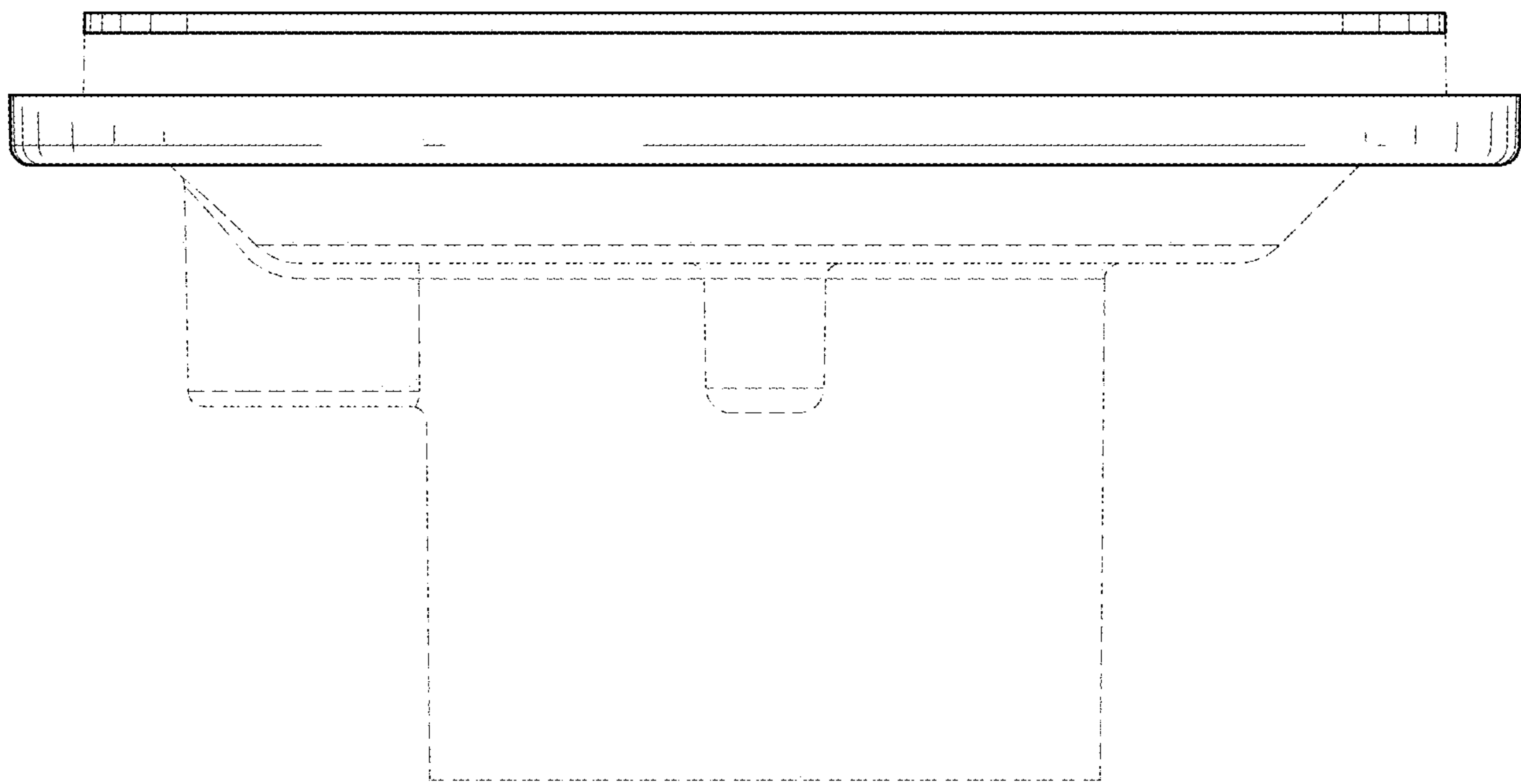


FIG. 6

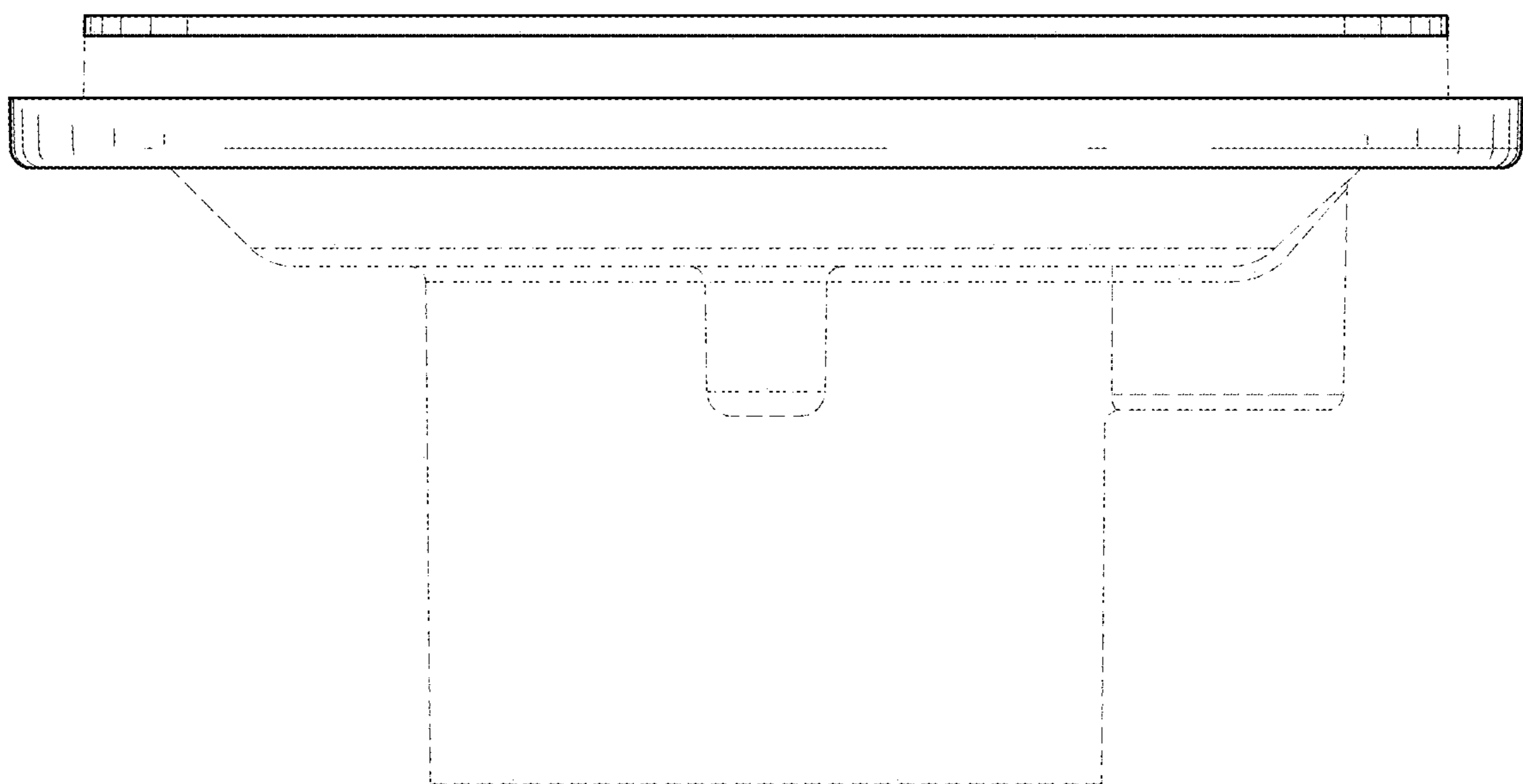


FIG. 7

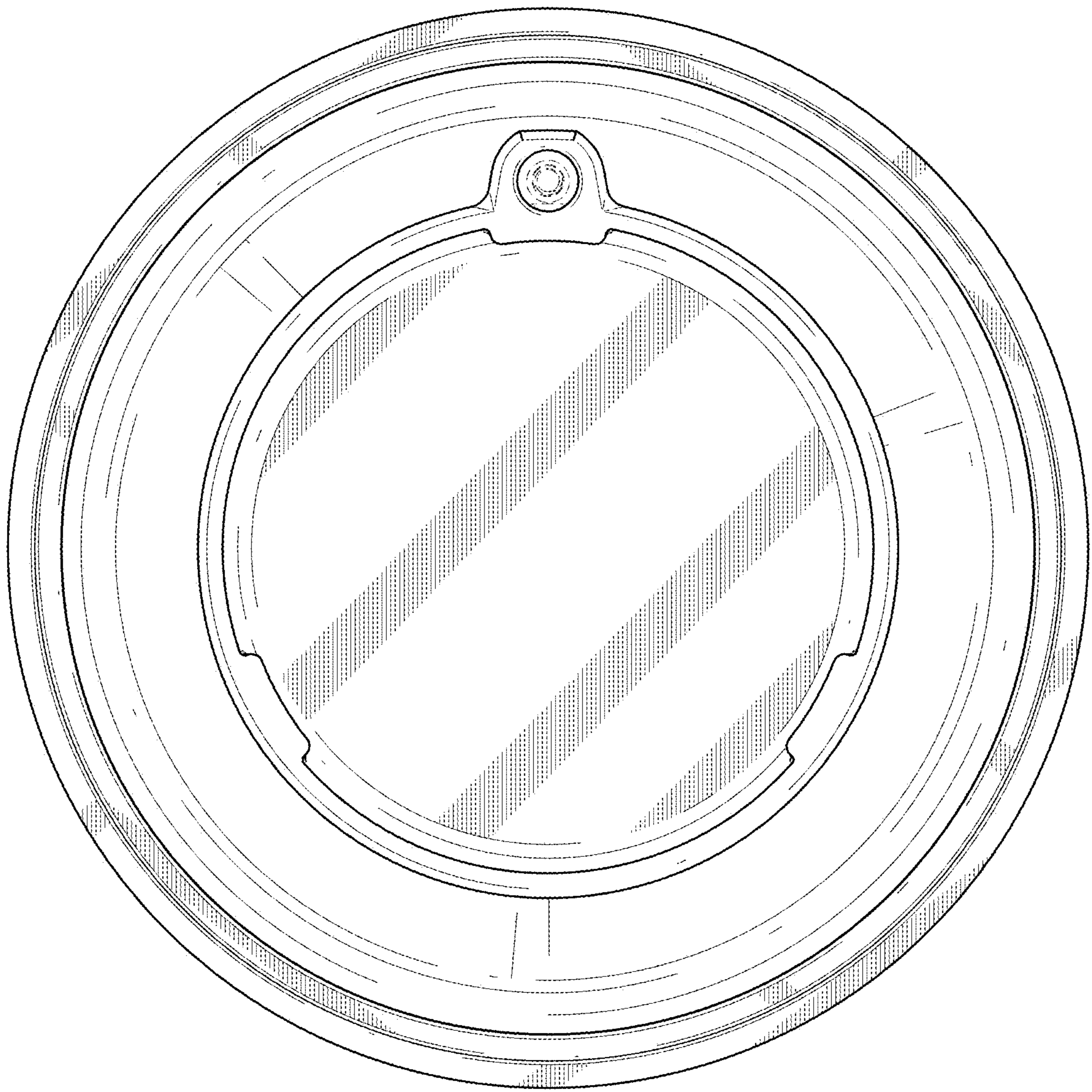


FIG. 8

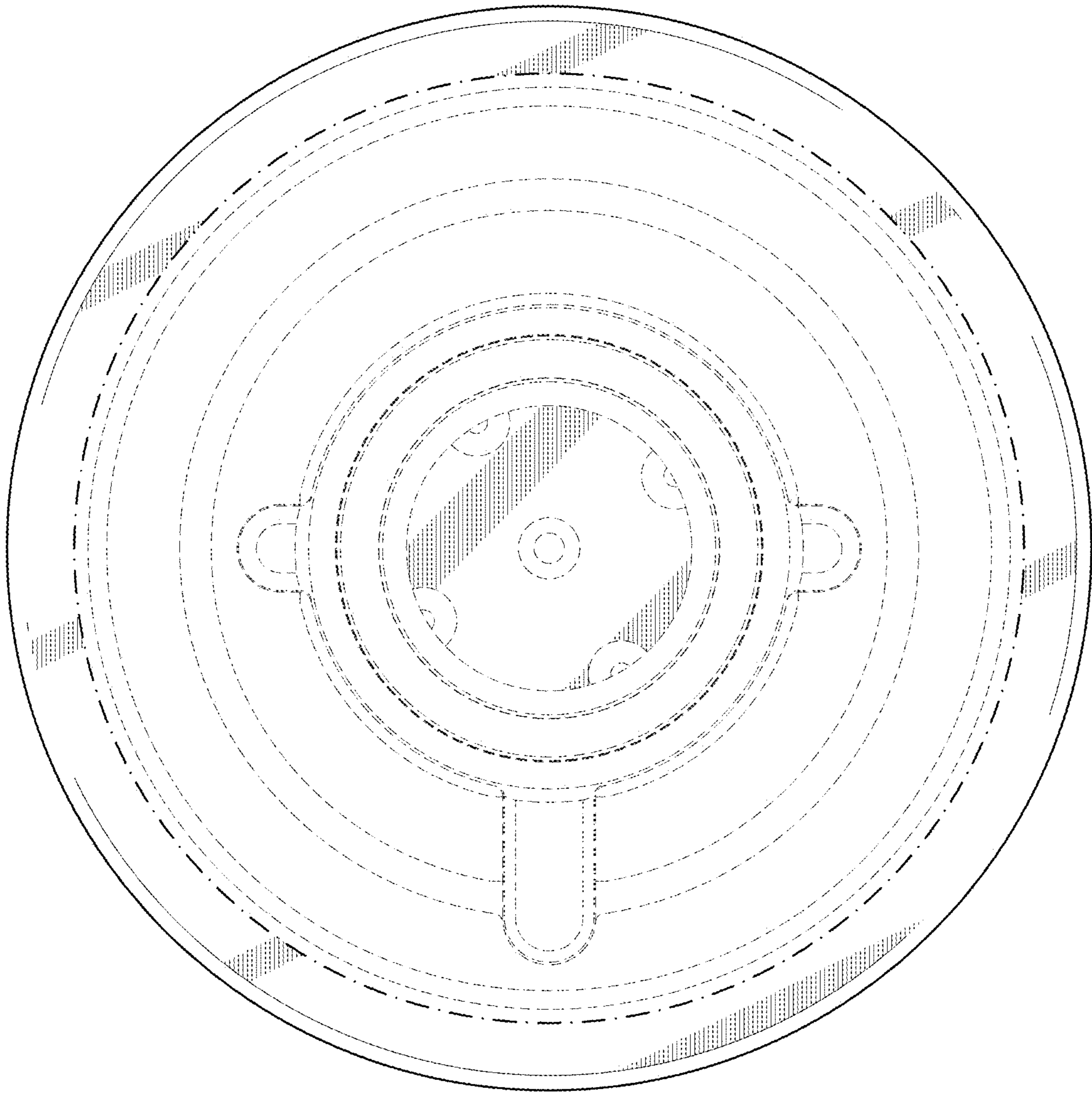


FIG. 9