



US00D881353S

(12) **United States Design Patent**
Lazarini

(10) **Patent No.:** **US D881,353 S**
(45) **Date of Patent:** **** Apr. 14, 2020**

- (54) **FAUCET SPOUT**
- (71) Applicant: **DELTA FAUCET COMPANY,**
Indianapolis, IN (US)
- (72) Inventor: **Alejandra Lazarini,** Carmel, IN (US)
- (73) Assignee: **DELTA FAUCET COMPANY,**
Indianapolis, IN (US)
- (**) Term: **15 Years**
- (21) Appl. No.: **29/642,895**
- (22) Filed: **Apr. 3, 2018**
- (51) **LOC (12) Cl.** **23-01**
- (52) **U.S. Cl.**
USPC **D23/255**
- (58) **Field of Classification Search**
USPC D23/238–243, 249, 255, 257
CPC E03C 1/04; E03C 1/0401; E03C 1/0402;
E03C 1/0404; Y10T 137/9464
See application file for complete search history.

D604,808 S *	11/2009	Williams	D23/255
D607,976 S *	1/2010	Lammel	D23/255
D640,773 S *	6/2011	Ke	D23/255
D645,123 S *	9/2011	Corbett	D23/255
D697,179 S *	1/2014	Georgeson	D23/255
D724,184 S *	3/2015	Cahill	D23/255
D820,415 S *	6/2018	McKeone	D23/255

* cited by examiner

Primary Examiner — Amy C Wierenga

(74) *Attorney, Agent, or Firm* — Edgar A. Zarins; Nirav D. Parikh

(57) **CLAIM**

The ornamental design for a faucet spout, as shown and described.

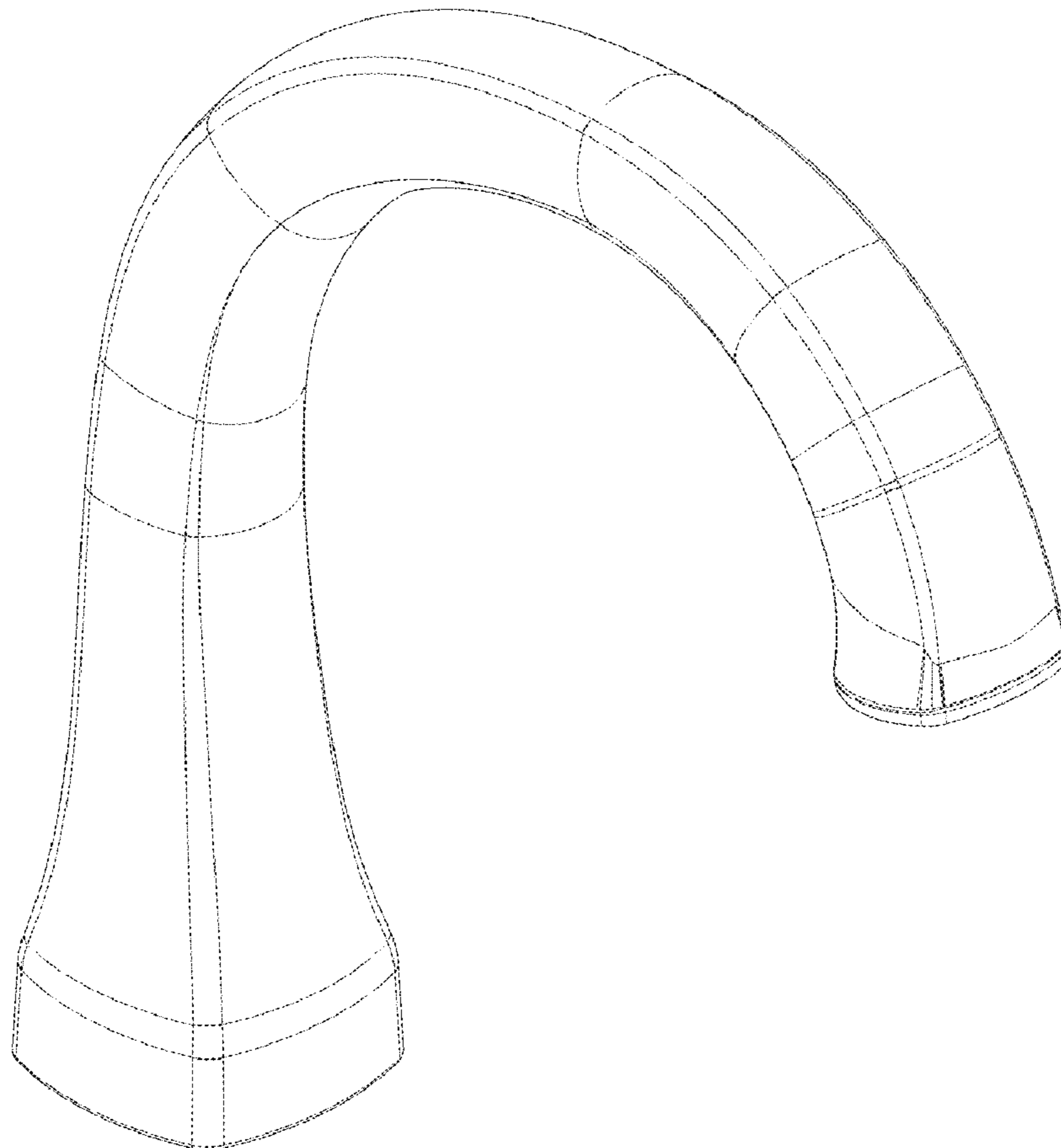
DESCRIPTION

FIG. 1 is a first perspective view of a faucet spout showing my new design;
 FIG. 2 is a second perspective view thereof;
 FIG. 3 is a front elevational view thereof;
 FIG. 4 is a left side view thereof;
 FIG. 5 is a rear view thereof;
 FIG. 6 is a right side view thereof; and,
 FIG. 7 is a top plan view thereof.
 Portions of the article shown in broken lines form no part of the claimed design.

1 Claim, 4 Drawing Sheets

(56) **References Cited**
U.S. PATENT DOCUMENTS

D525,679 S *	7/2006	Gilbert	D23/238
D549,305 S *	8/2007	Sedwick	D23/255



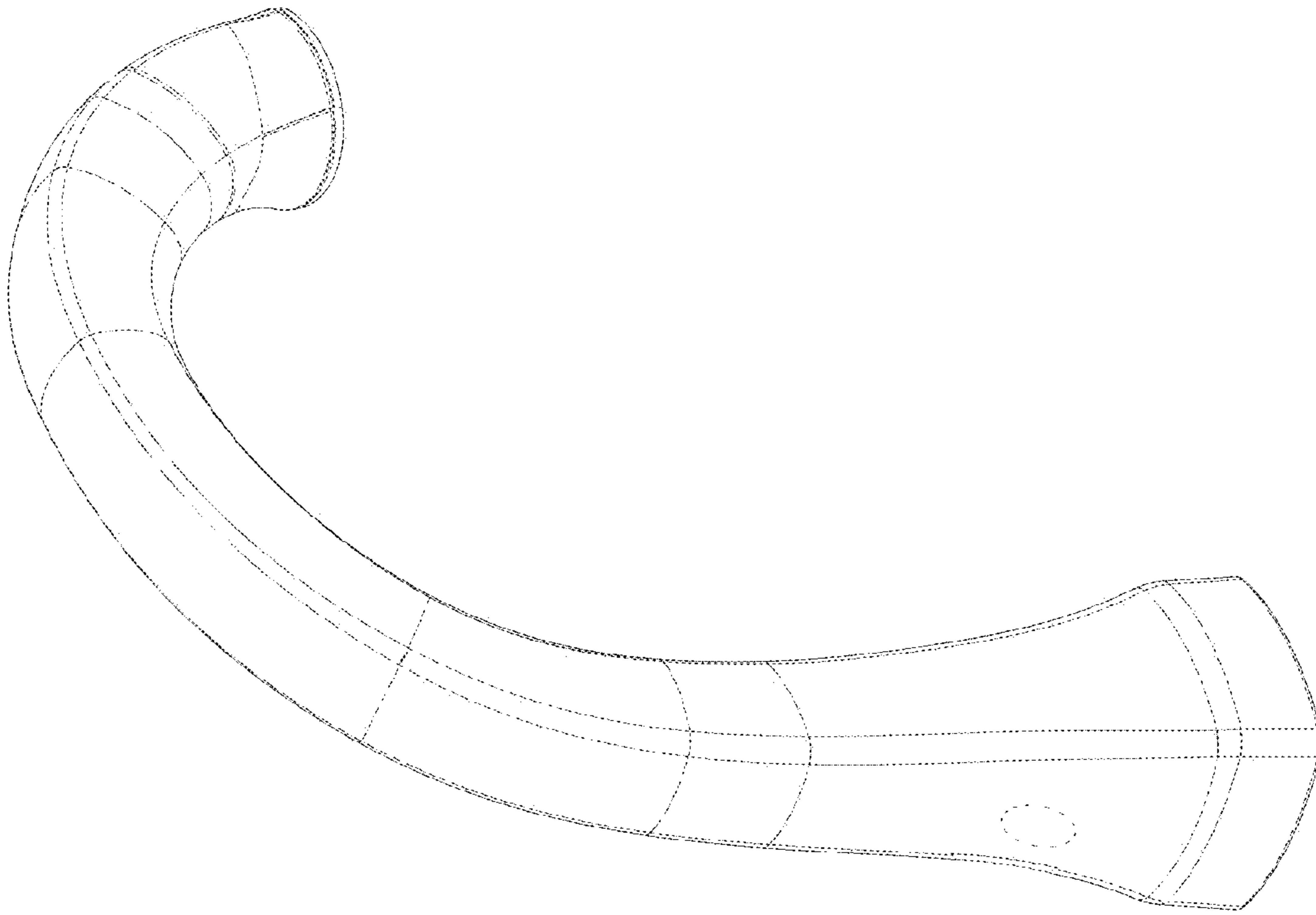


FIG - 2

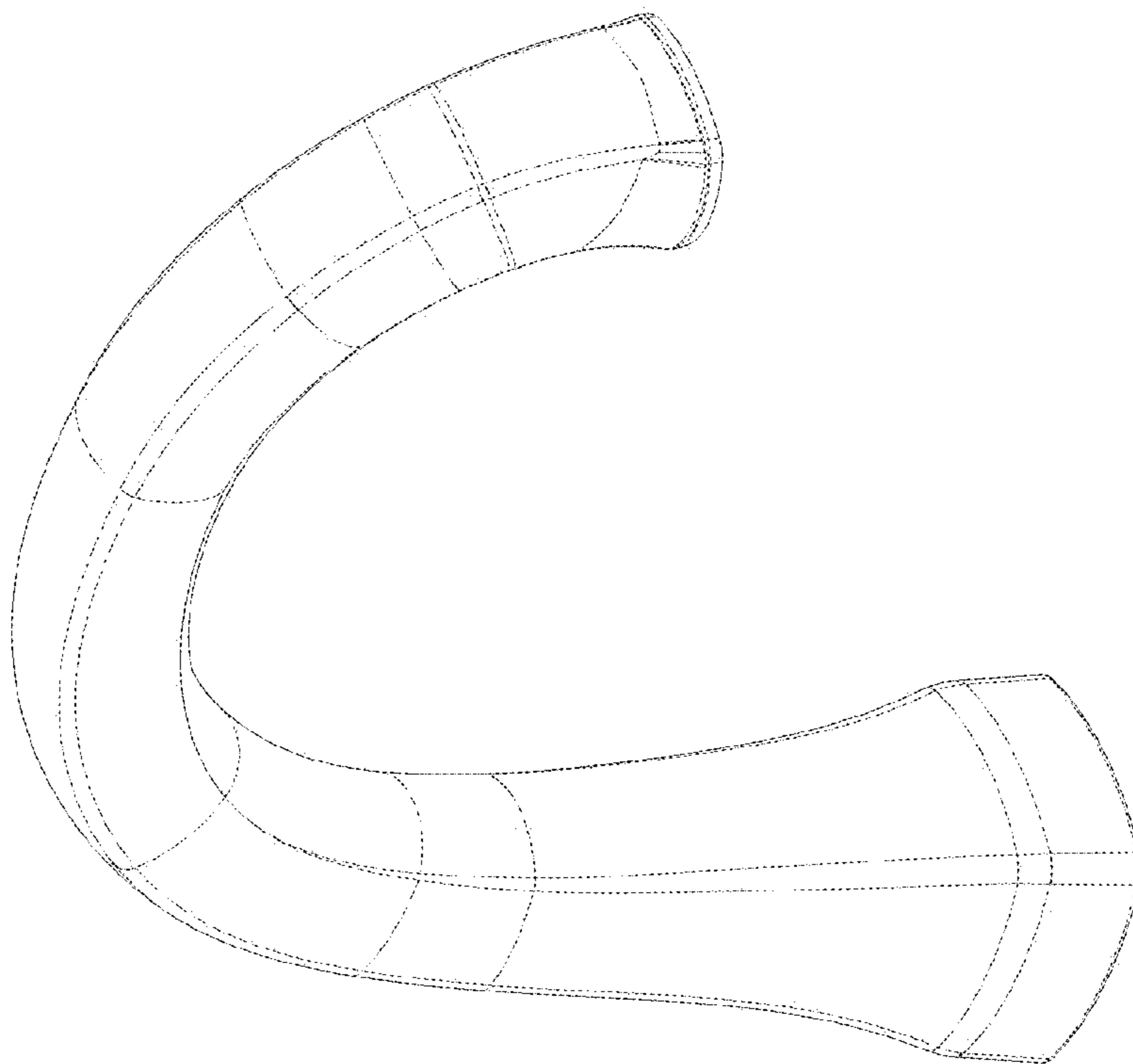


FIG - 1

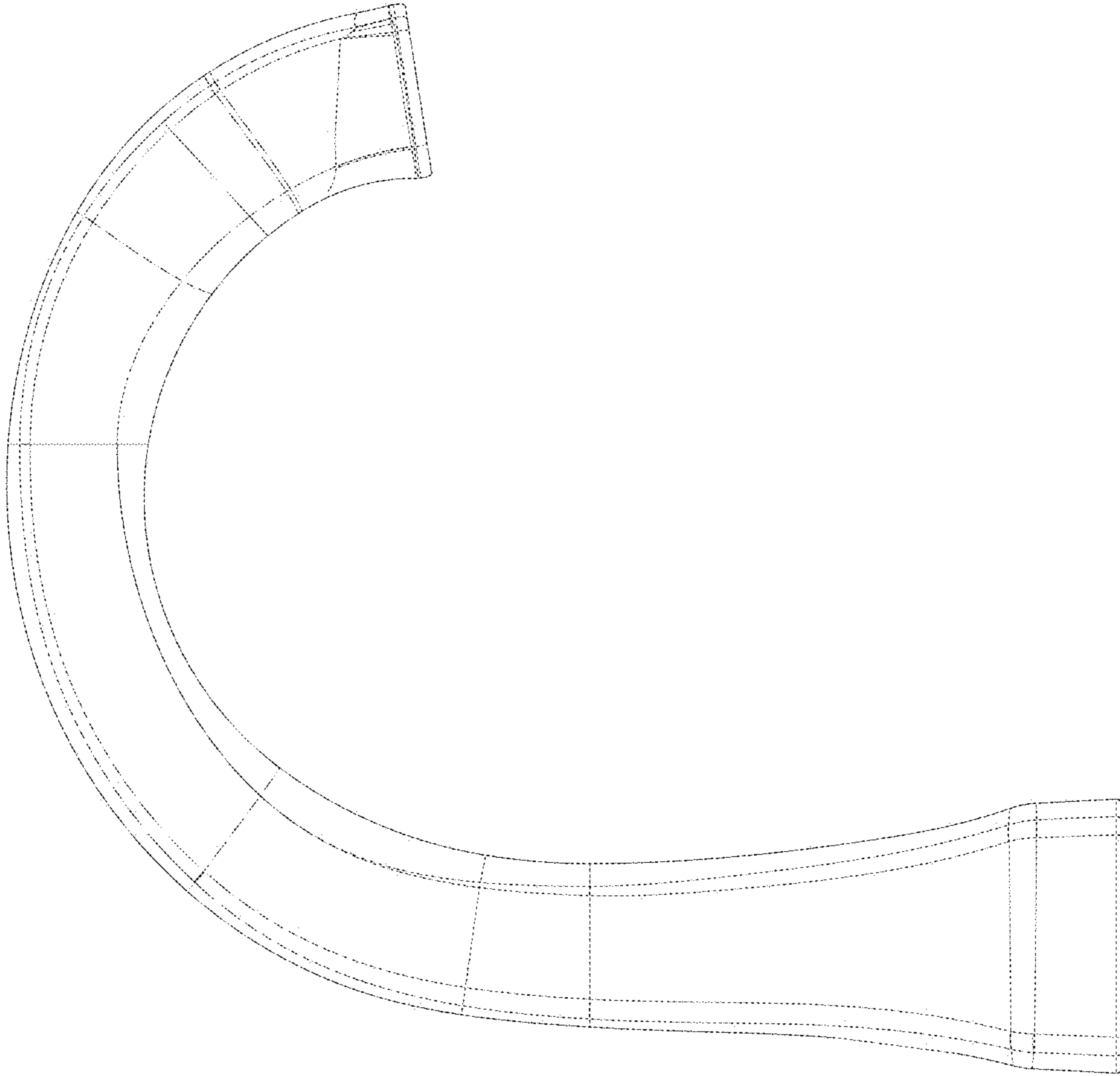


FIG - 4

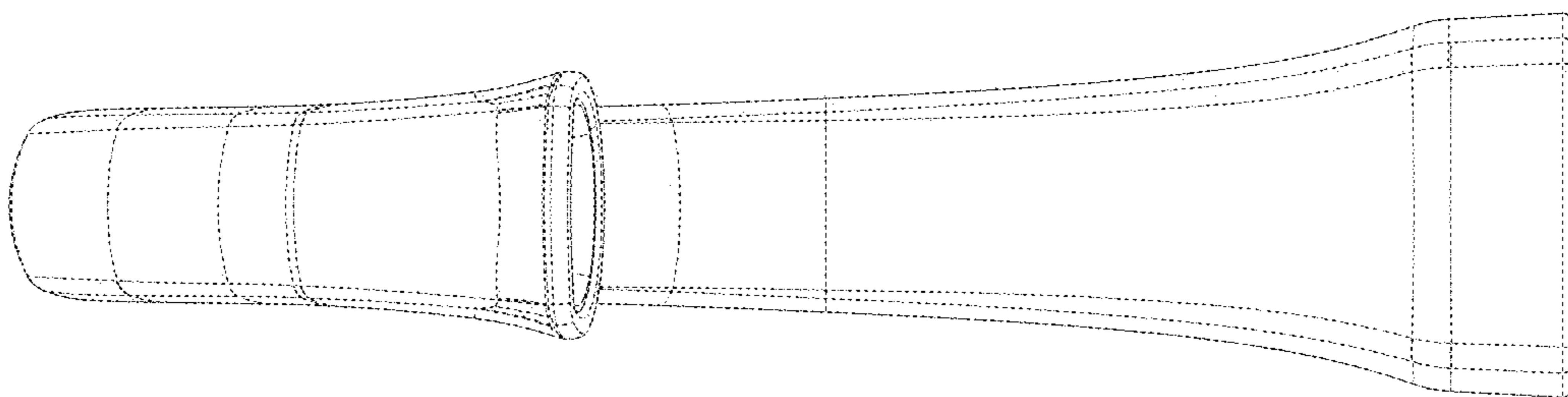


FIG - 3

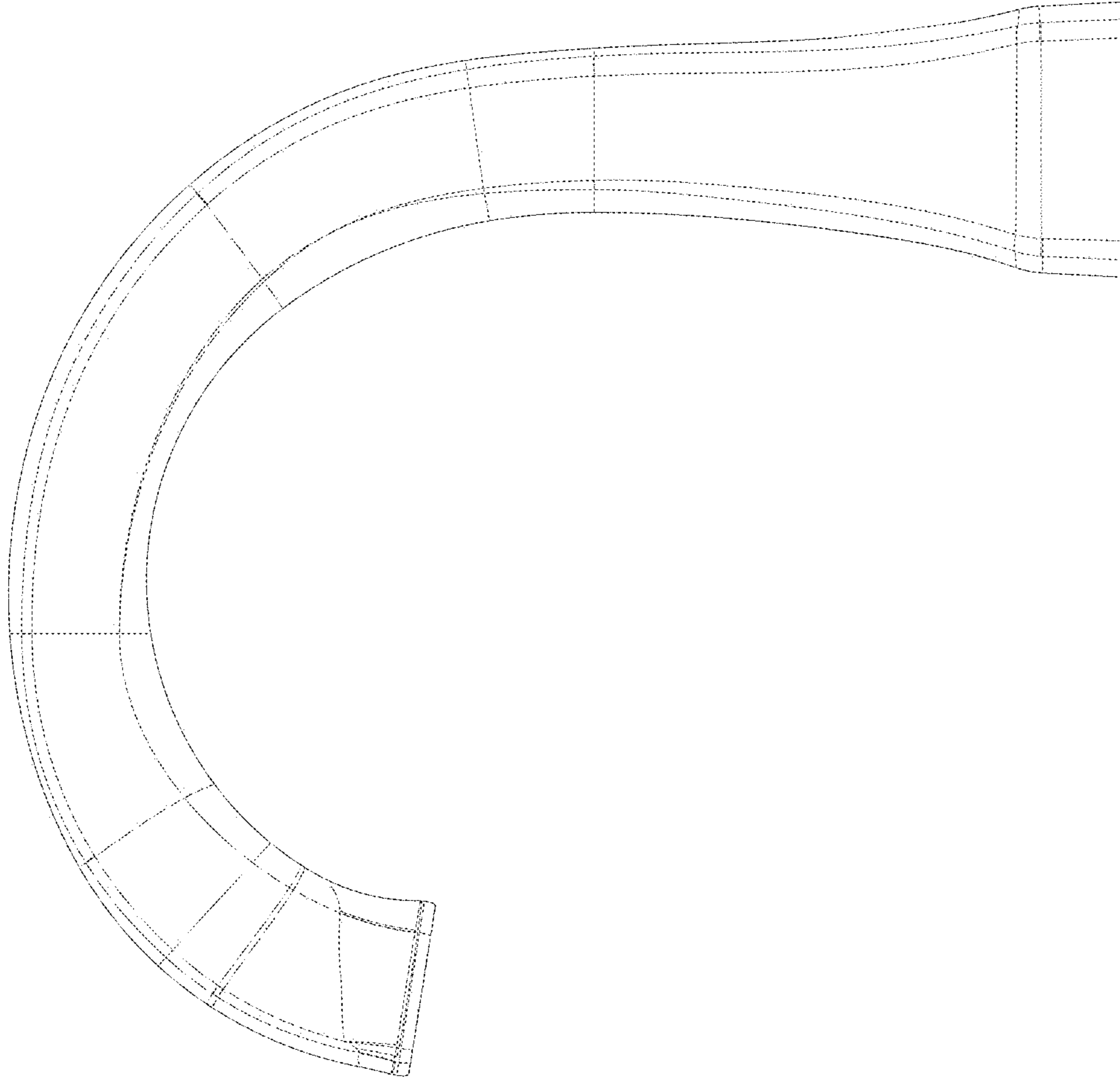


FIG - 6

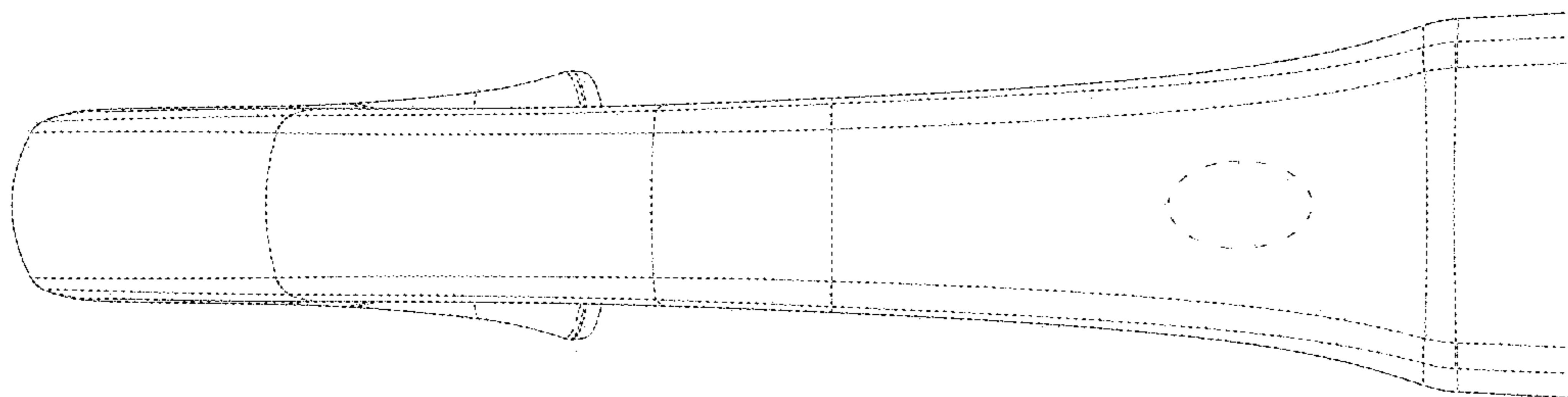


FIG - 5

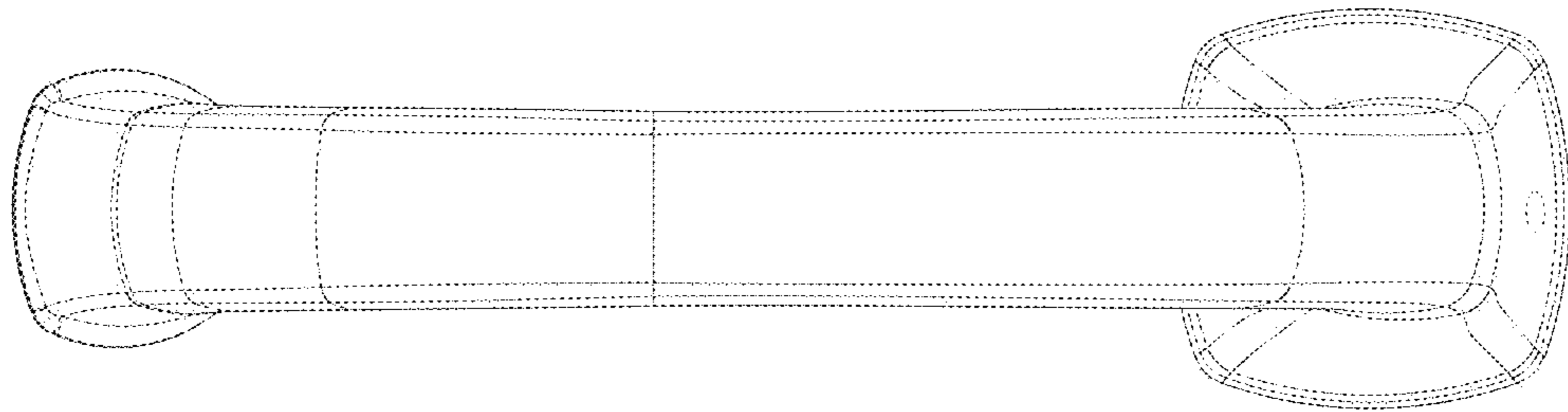


FIG - 7