



US00D881352S

(12) **United States Design Patent**
Eads

(10) **Patent No.:** **US D881,352 S**
(45) **Date of Patent:** **** Apr. 14, 2020**

- (54) **FAUCET SPOUT**
- (71) Applicant: **DELTA FAUCET COMPANY,**
Indianapolis, IN (US)
- (72) Inventor: **Thad Eads,** Urbana, IN (US)
- (73) Assignee: **DELTA FAUCET COMPANY,**
Indianapolis, IN (US)
- (**) Term: **15 Years**
- (21) Appl. No.: **29/642,179**
- (22) Filed: **Mar. 28, 2018**
- (51) **LOC (12) Cl.** **23-01**
- (52) **U.S. Cl.**
USPC **D23/255**
- (58) **Field of Classification Search**
USPC D23/238-243, 249, 255-257, 309, 250,
D23/252; D8/300, 307, 308, 315
CPC ... Y10T 137/9464; E03C 1/04; E03C 1/0404;
E03C 1/0407
See application file for complete search history.

D659,798 S *	5/2012	Flowers	D23/238
D708,709 S *	7/2014	Yu	D23/238
D767,970 S *	10/2016	Bertani	D8/308
D818,564 S *	5/2018	Garland	D23/255

FOREIGN PATENT DOCUMENTS

CN	201730045443	*	2/2017
KR	3020150012128	*	3/2015

* cited by examiner

Primary Examiner — Sheryl Lane

Assistant Examiner — Samantha N Wood

(74) *Attorney, Agent, or Firm* — Edgar A. Zarins; Nirav D. Parikh

(57) **CLAIM**

The ornamental design for a faucet spout, as shown and described.

DESCRIPTION

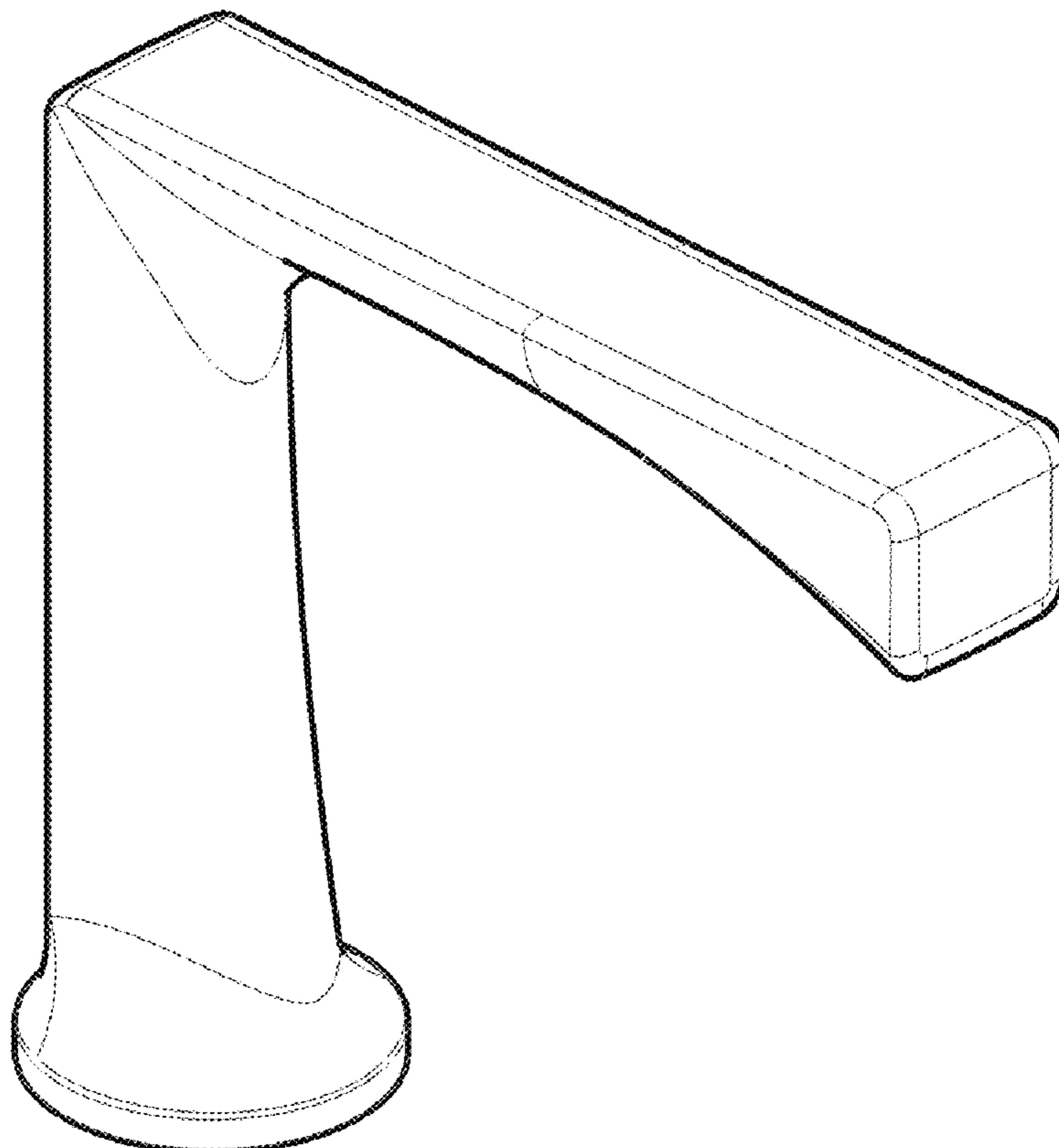
FIG. 1 is a front perspective view of a faucet spout showing my new design;
 FIG. 2 is a rear perspective view thereof;
 FIG. 3 is a front elevational view thereof;
 FIG. 4 is a left side view thereof;
 FIG. 5 is a rear view thereof;
 FIG. 6 is a right side view thereof; and,
 FIG. 7 is a top plan view thereof.

1 Claim, 4 Drawing Sheets

(56) **References Cited**

U.S. PATENT DOCUMENTS

D369,964 S *	5/1996	Decursu	D8/302
D511,201 S *	11/2005	Kulig	D23/238
D525,680 S *	7/2006	Schaffeld	D23/255
D631,529 S *	1/2011	Ko	D23/238



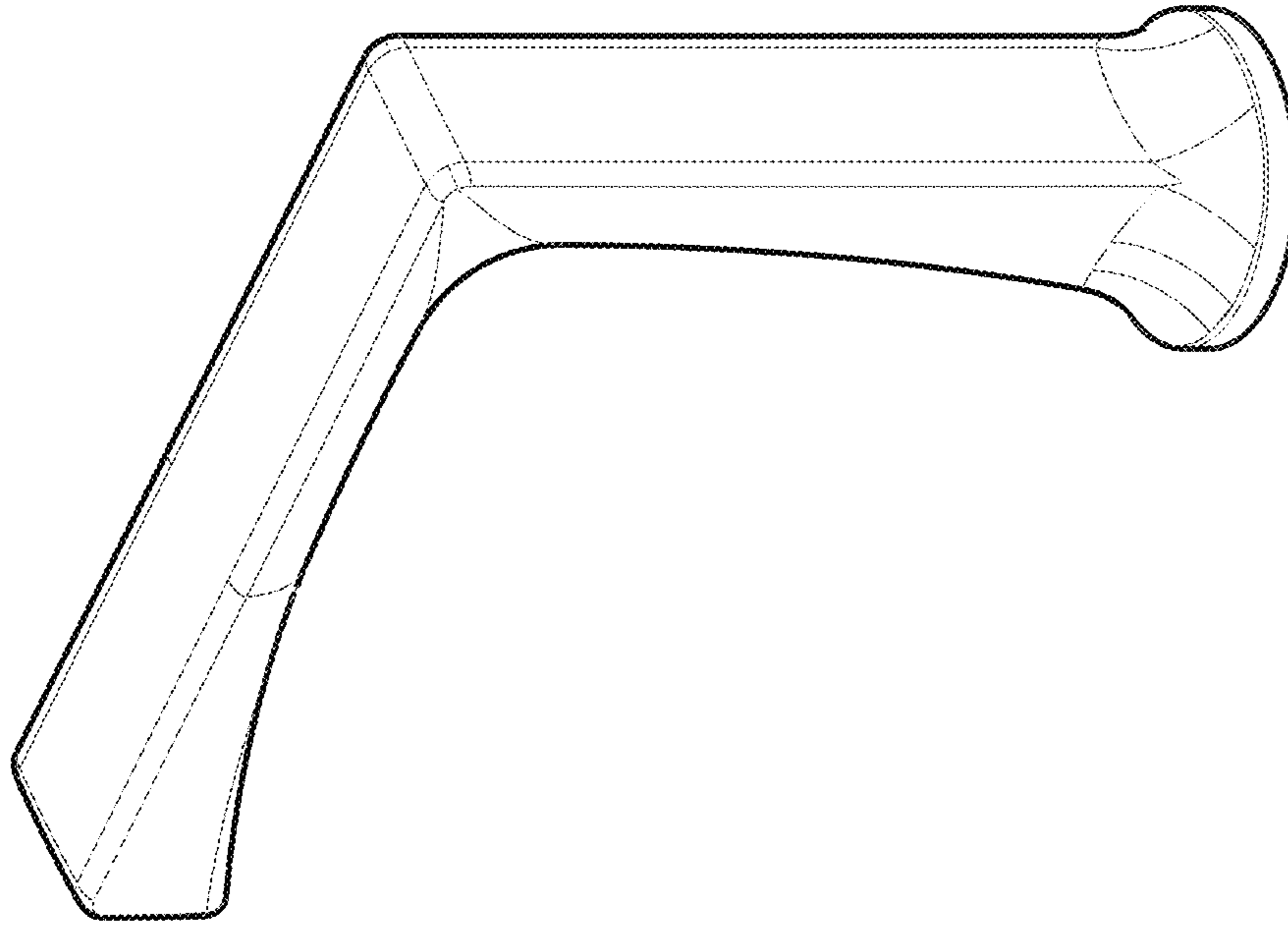


Fig. 2

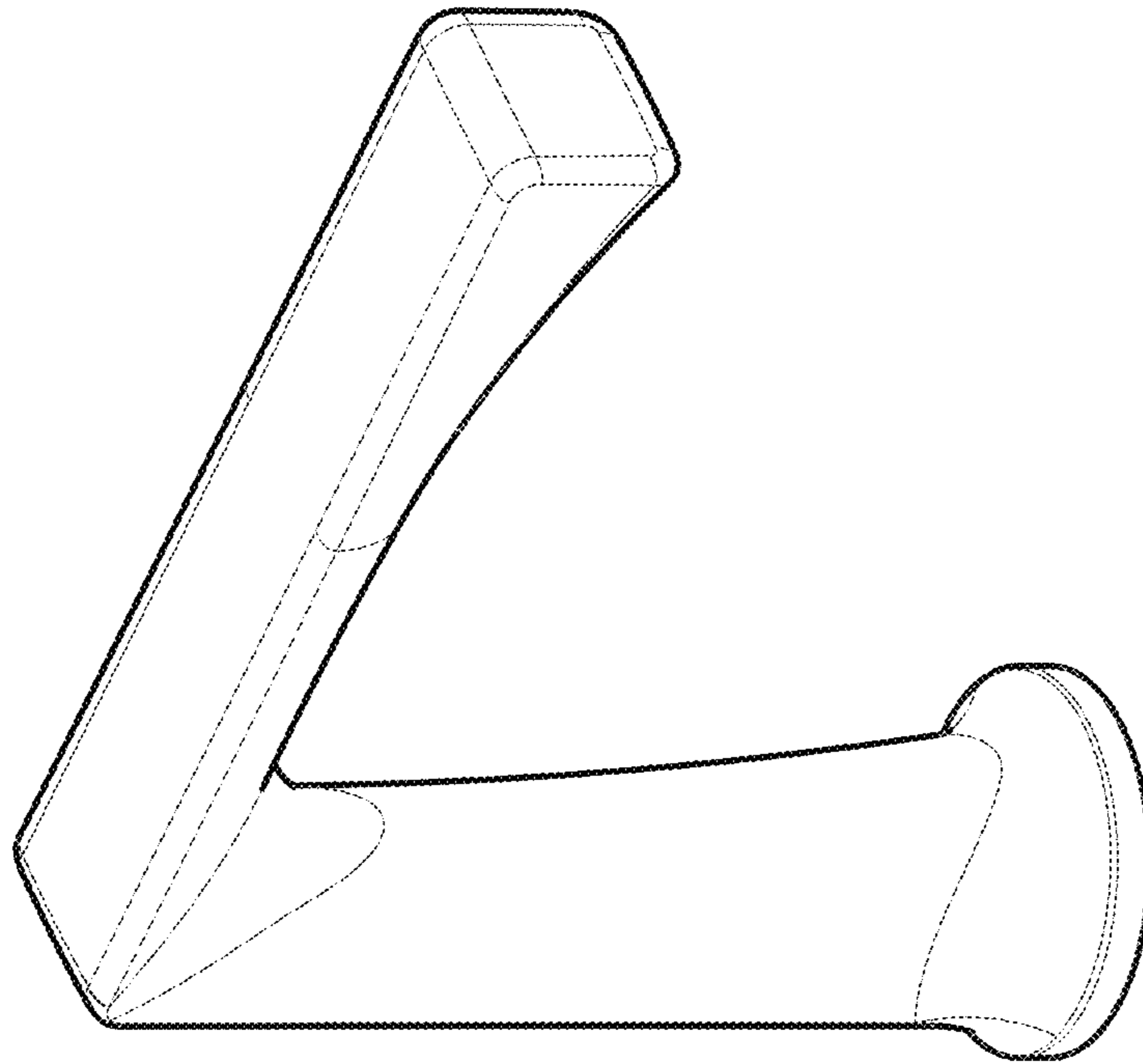


Fig. 1

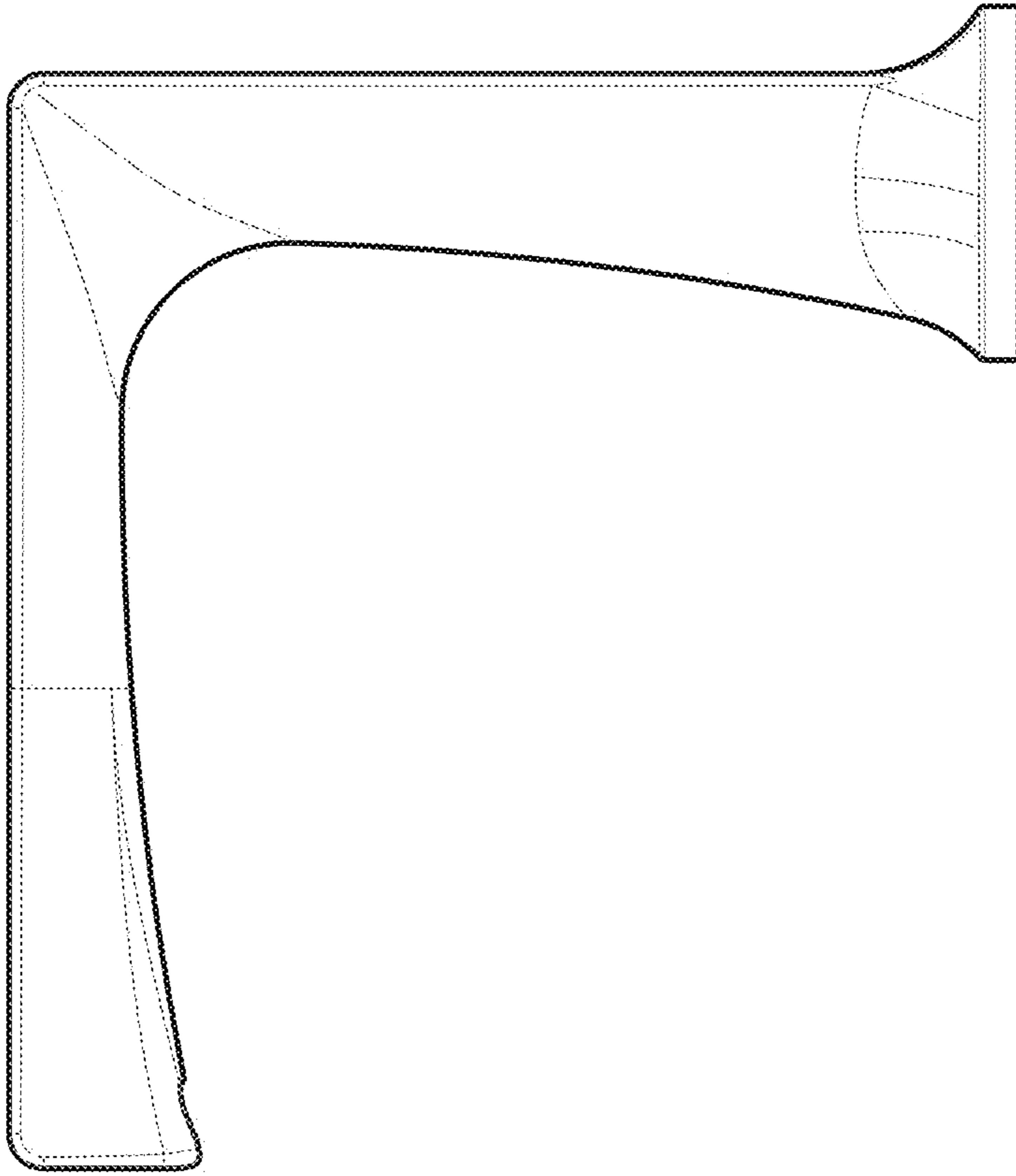


Fig. 3



Fig. 4

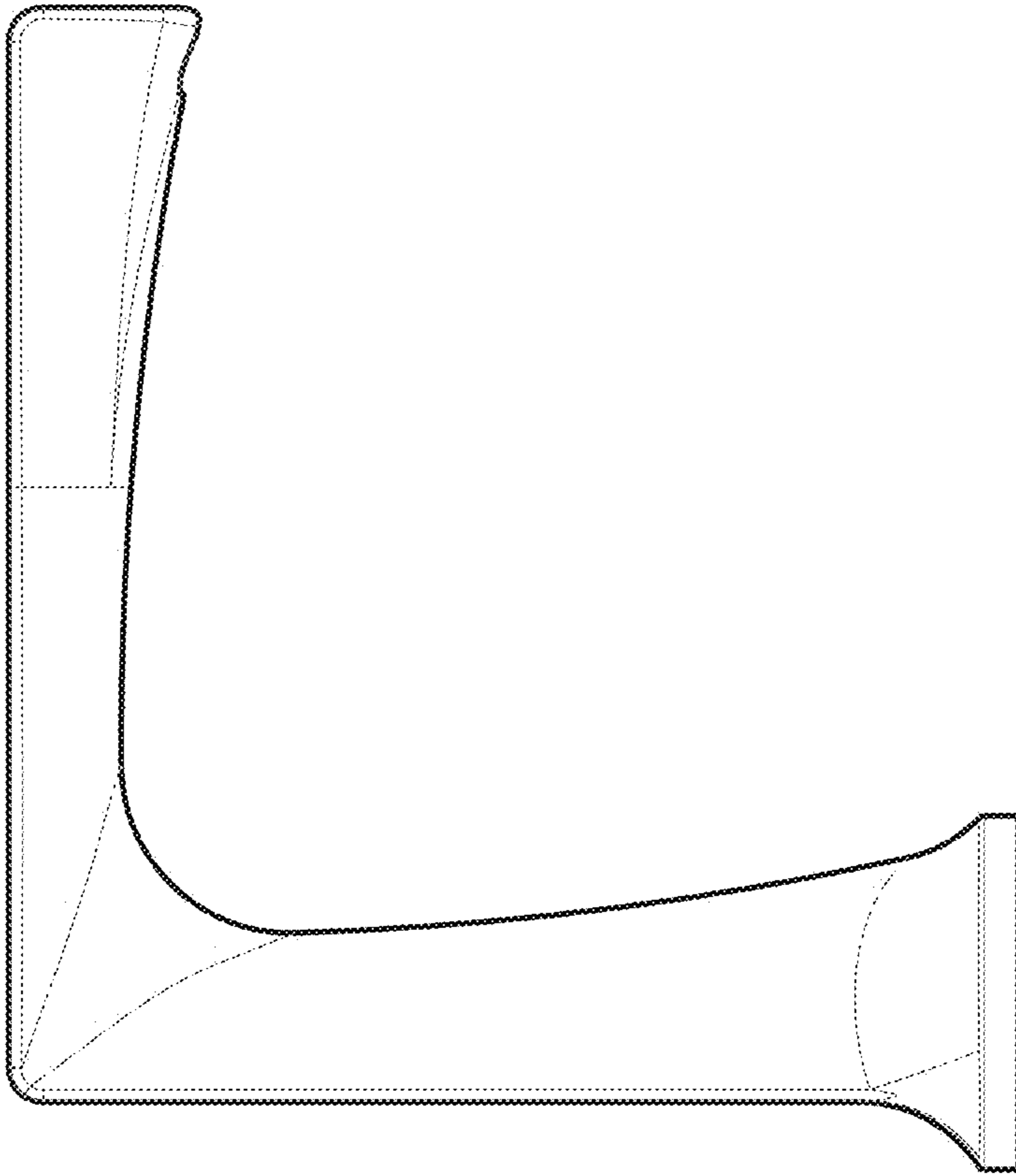


Fig. 5



Fig. 6

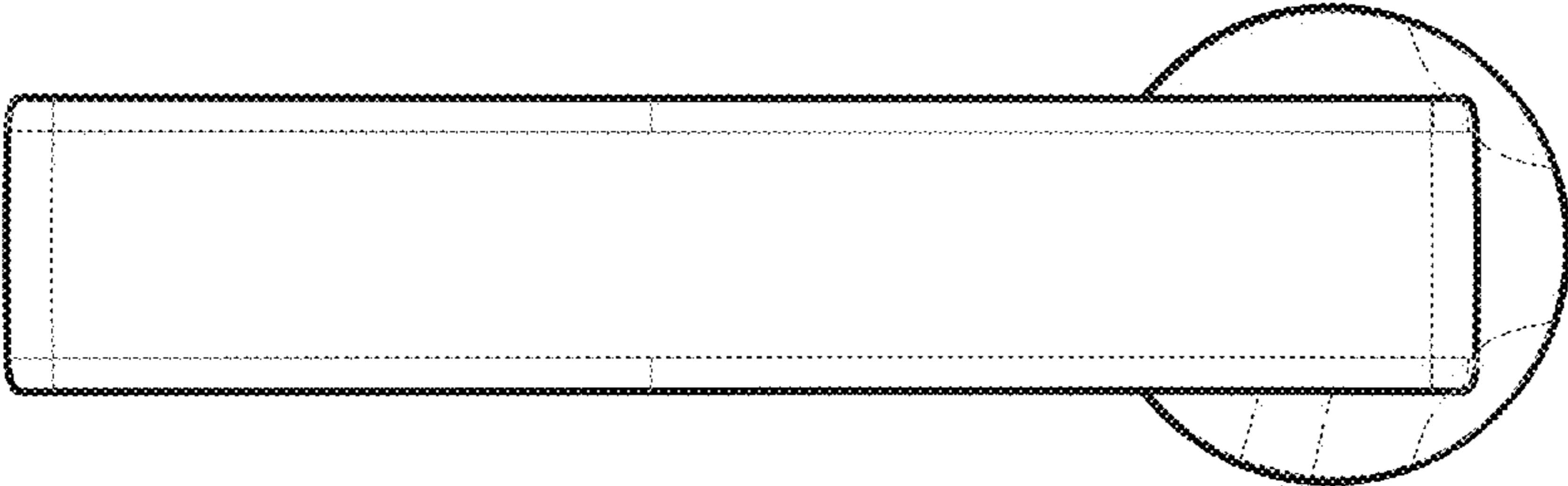


Fig. 7