



US00D881351S

(12) **United States Design Patent** (10) **Patent No.:** **US D881,351 S**
Eads (45) **Date of Patent:** **** Apr. 14, 2020**

(54) **FAUCET SPOUT**

(71) Applicant: **DELTA FAUCET COMPANY,**
Indianapolis, IN (US)

(72) Inventor: **Thad Eads,** Urbana, IN (US)

(73) Assignee: **DELTA FAUCET COMPANY,**
Indianapolis, IN (US)

(**) Term: **15 Years**

(21) Appl. No.: **29/642,149**

(22) Filed: **Mar. 28, 2018**

(51) **LOC (12) Cl.** **23-01**

(52) **U.S. Cl.**
USPC **D23/255**

(58) **Field of Classification Search**
USPC D23/238-243, 249, 255-257, 309, 250,
D23/252
CPC ... Y10T 137/9464; E03C 1/04; E03C 1/0404;
E03C 1/0407
See application file for complete search history.

(56) **References Cited**

U.S. PATENT DOCUMENTS

D434,122 S	*	11/2000	Meda	D23/255
D468,410 S	*	1/2003	Hundley	D23/255
D510,982 S	*	10/2005	Paini	D23/241
D526,699 S	*	8/2006	Kulig	D23/238
D613,822 S	*	4/2010	Hanna	D23/242
D646,758 S	*	10/2011	Gessi	D23/238
D816,807 S	*	5/2018	Ravassa	D23/255

OTHER PUBLICATIONS

Blog Naver, MGS Kitchen Faucet Collection, posted Jan. 21, 2009, [online], [visited May 21, 2019]. Internet, URL: http://blog.naver.com/PostView.nhn?blogId=ill_won&logNo=90040919006&parentCategoryNo=&categoryNo=24&viewDate=&isShowPopularPosts=false&from=postList (Year: 2009).*

Blog Naver, Lavatory faucet collection from Watermark Designs, posted Mar. 6, 2008, [online], [visited May 21, 2019]. Internet, URL: http://blog.naver.com/PostView.nhn?blogId=ill_won&logNo=90028725934&parentCategoryNo=&categoryNo=12&viewDate=&isShowPopularPosts=false&from=postList (Year: 2008).*

* cited by examiner

Primary Examiner — Sheryl Lane

Assistant Examiner — Samantha N Wood

(74) *Attorney, Agent, or Firm* — Edgar A. Zarins; Nirav D. Parikh

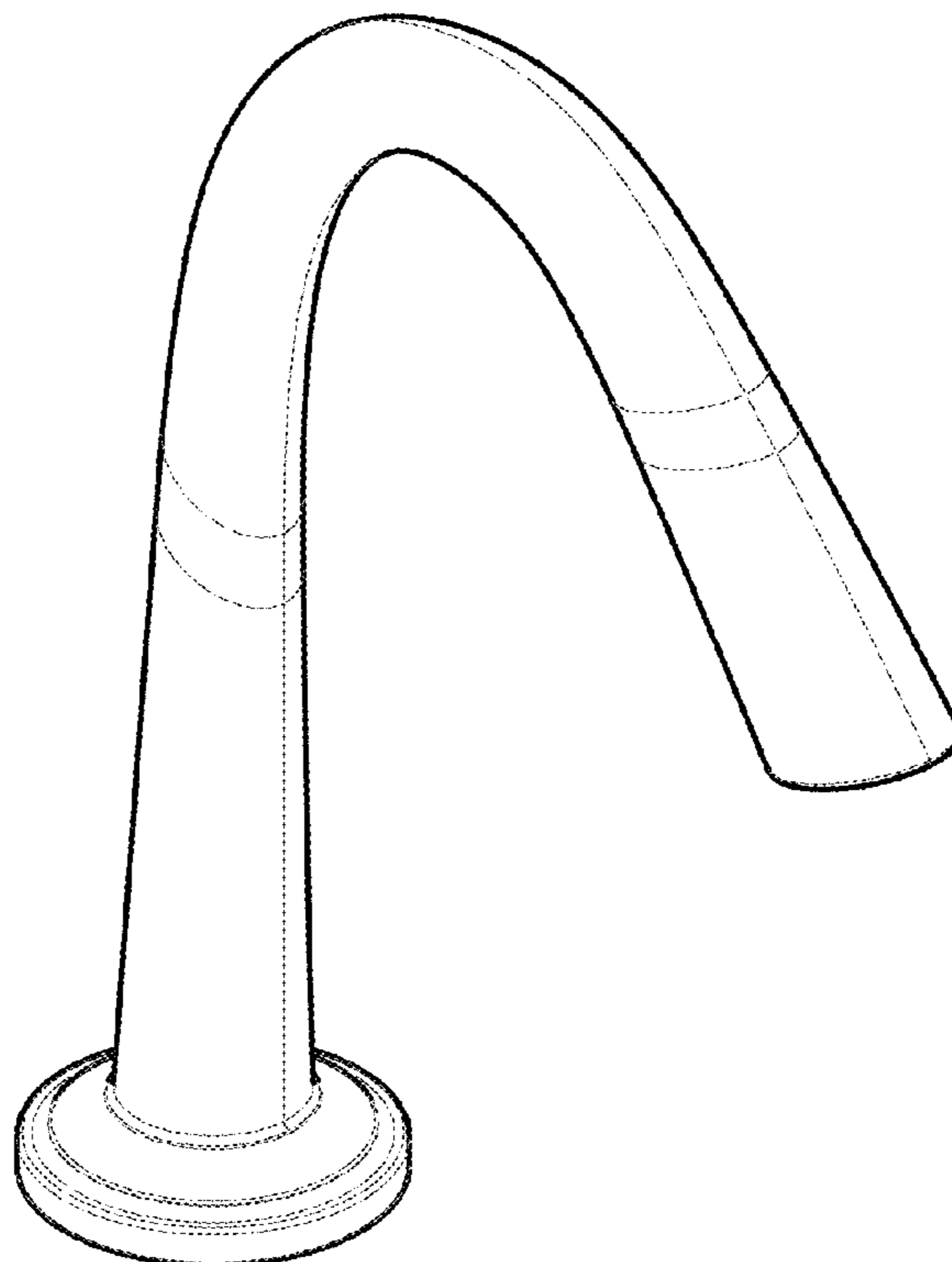
(57) **CLAIM**

The ornamental design for a faucet spout, as shown and described.

DESCRIPTION

FIG. 1 is a front perspective view of a faucet spout showing my new design;
FIG. 2 is a rear perspective view thereof;
FIG. 3 is a front elevational view thereof;
FIG. 4 is a left side view thereof;
FIG. 5 is a rear view thereof;
FIG. 6 is a right side view thereof; and,
FIG. 7 is a top plan view thereof.

1 Claim, 4 Drawing Sheets



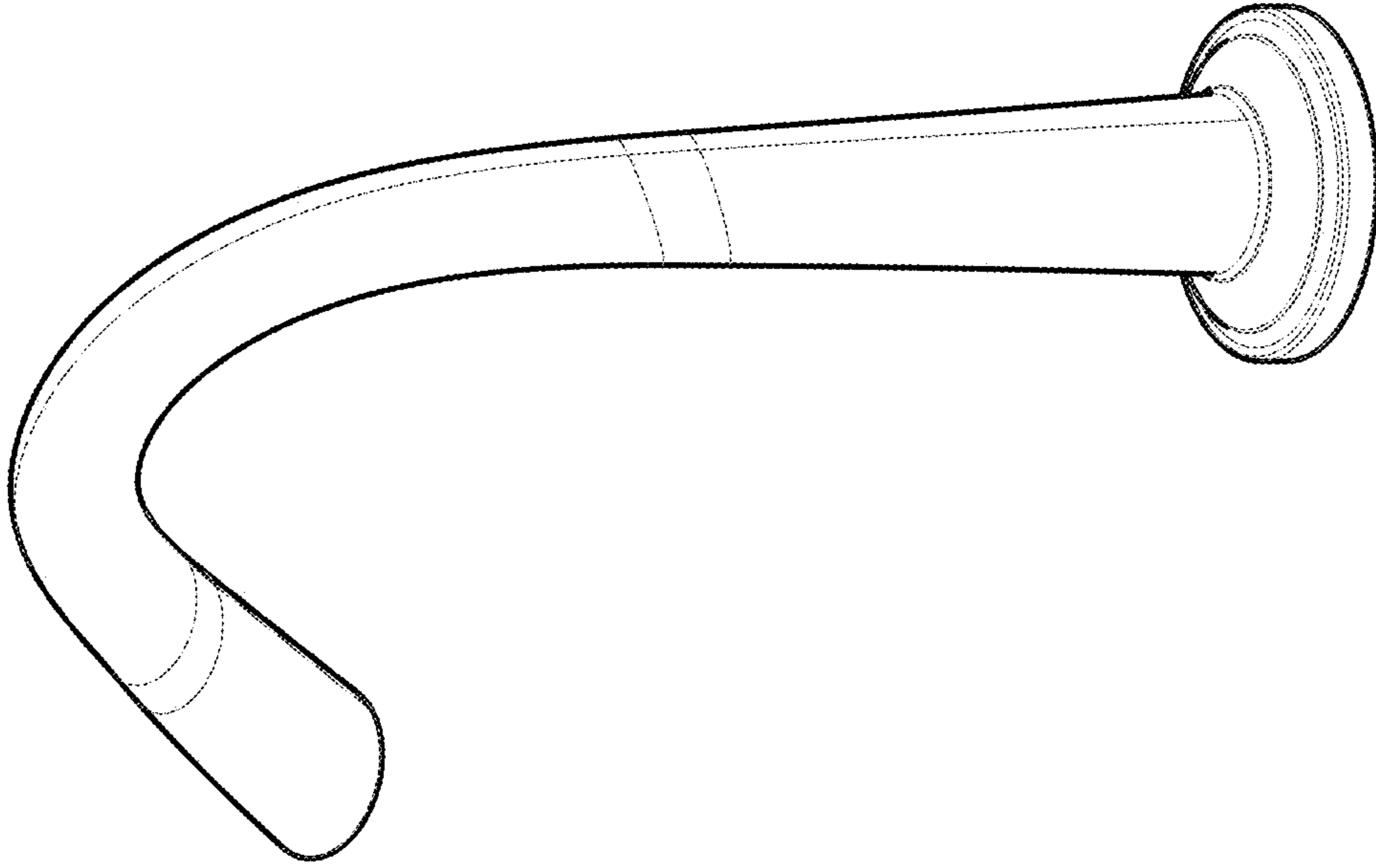


Fig. 2

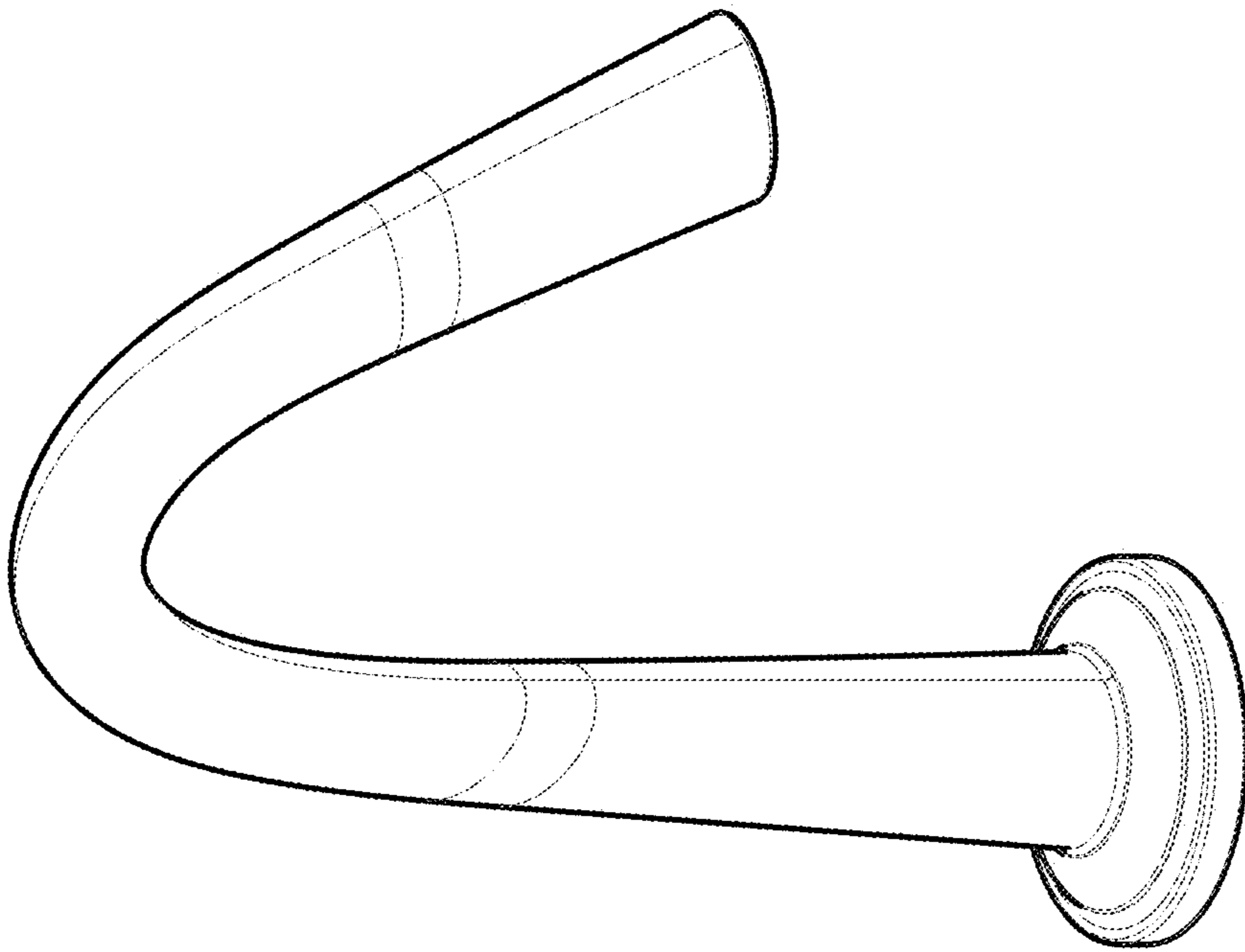


Fig. 1

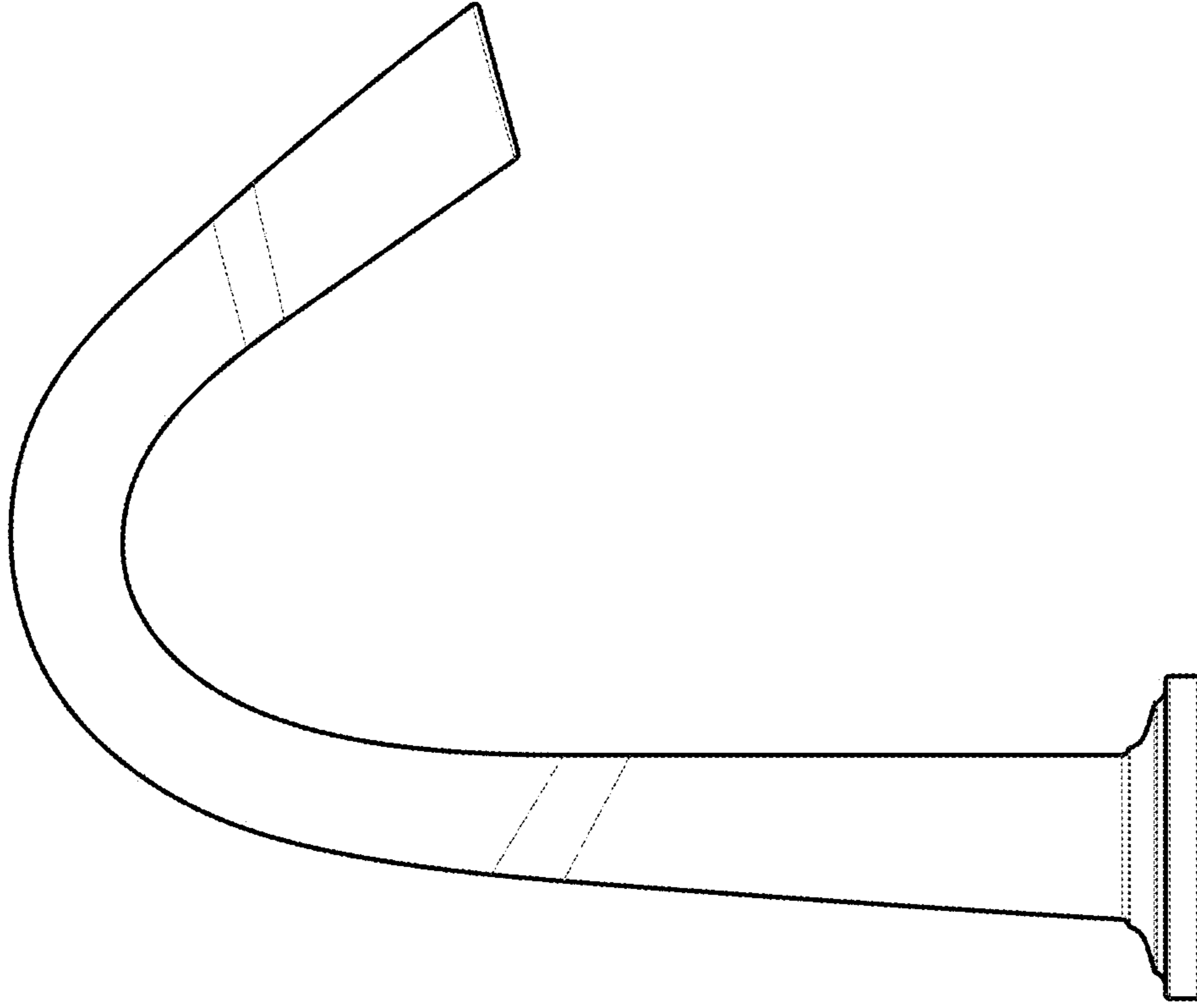


Fig. 4

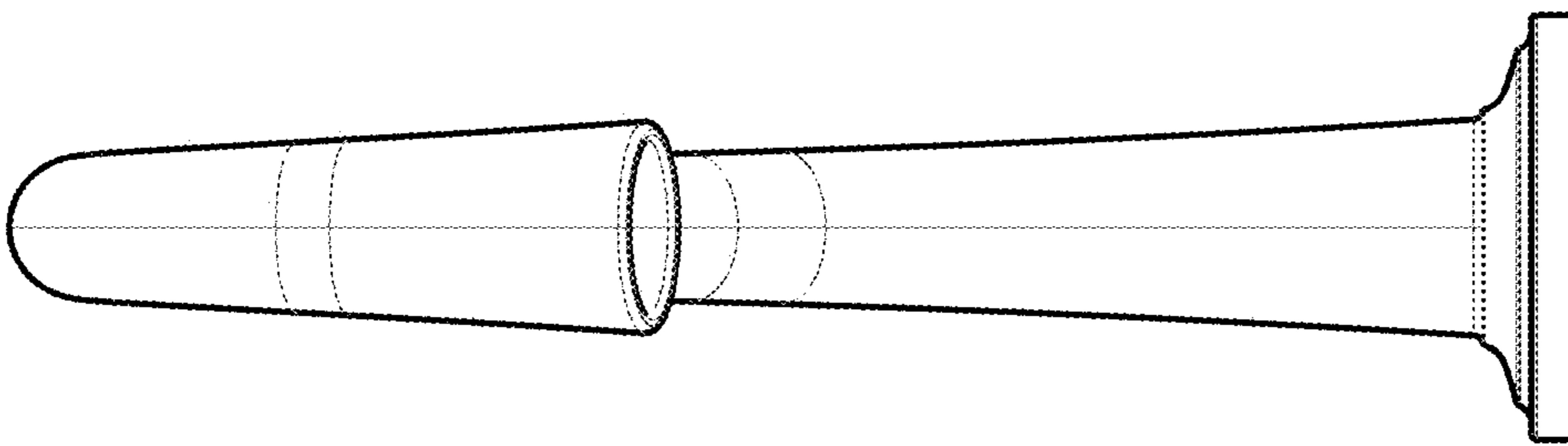


Fig. 3

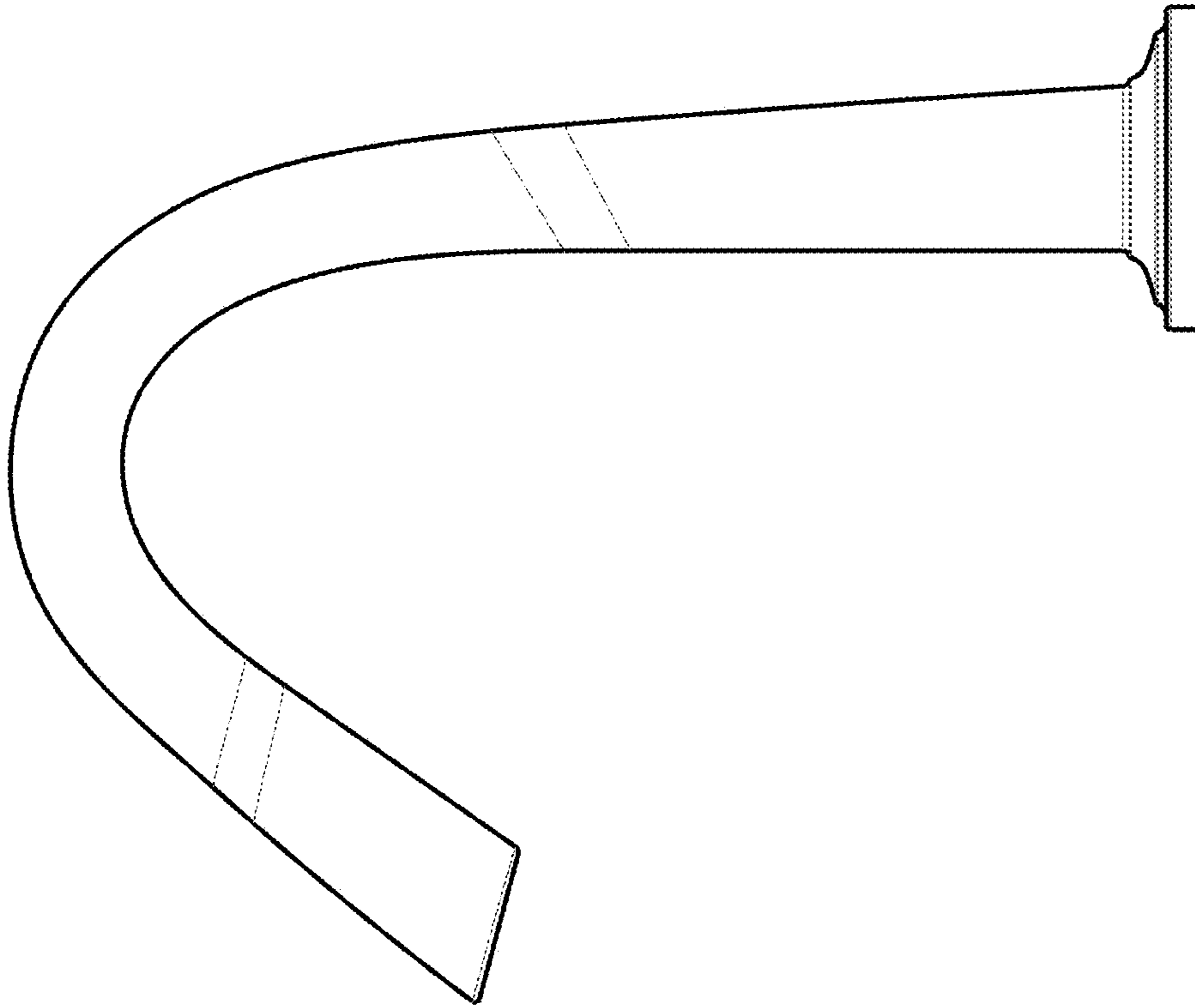


Fig. 6

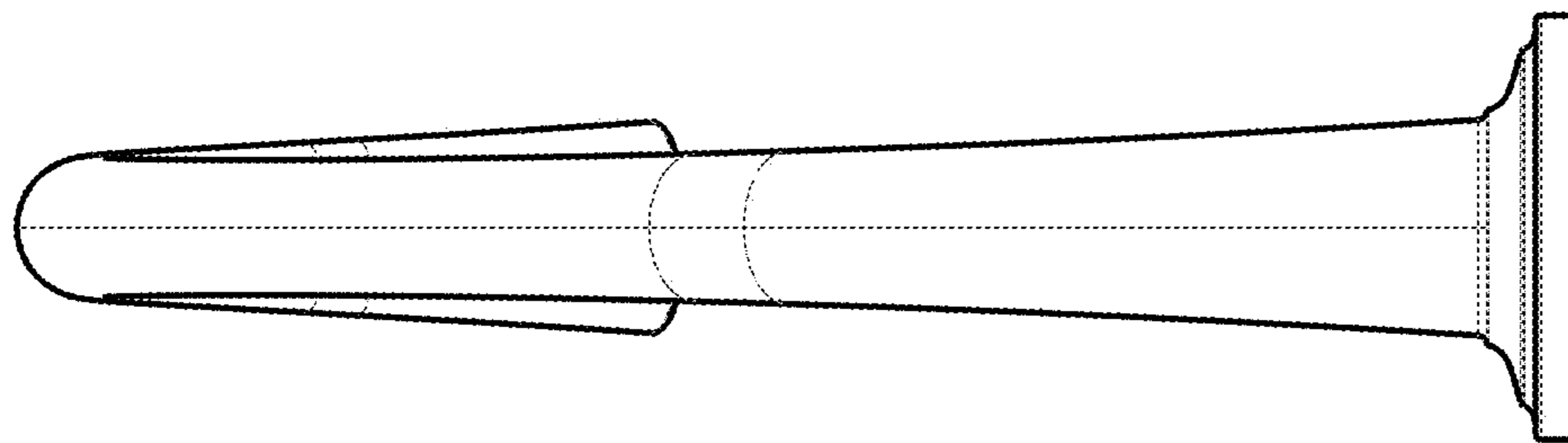


Fig. 5

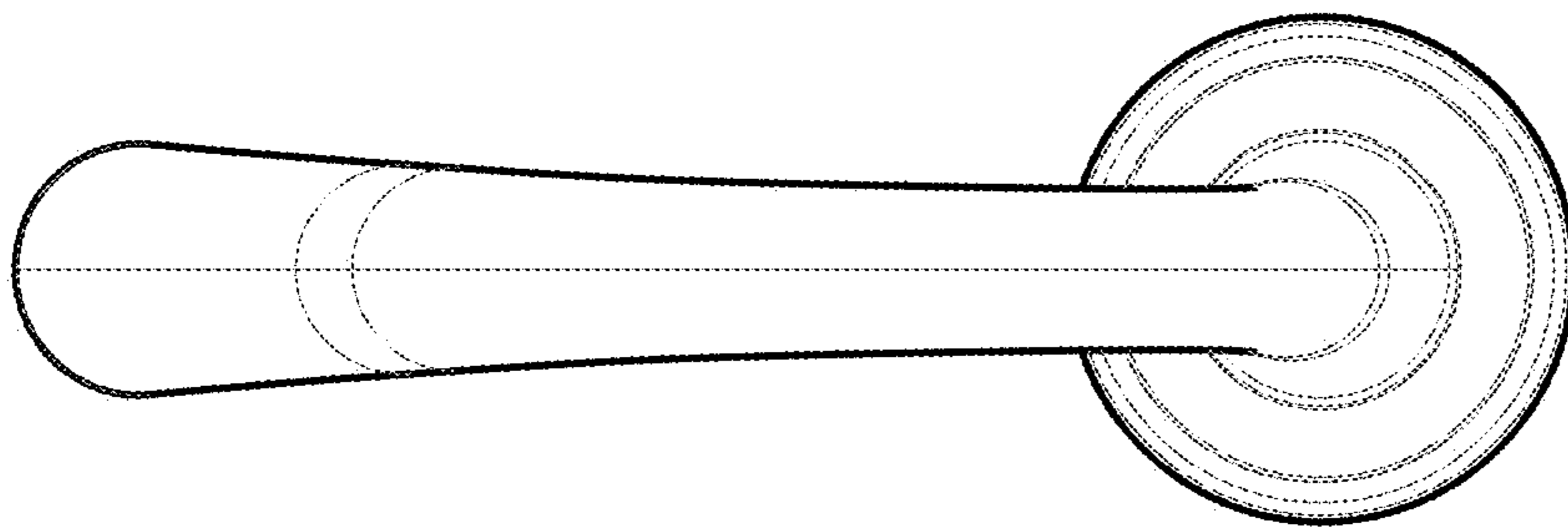


Fig. 7