



US00D881350S

(12) **United States Design Patent**
Eads

(10) **Patent No.:** **US D881,350 S**
(45) **Date of Patent:** **** Apr. 14, 2020**

(54) **FAUCET SPOUT**

D617,876 S * 6/2010 Williams D23/238
D655,786 S * 3/2012 Fukasawa D23/242
D754,295 S * 4/2016 Lord D23/238

(71) Applicant: **DELTA FAUCET COMPANY,**
Indianapolis, IN (US)

(72) Inventor: **Thad Eads,** Urbana, IN (US)

(73) Assignee: **DELTA FAUCET COMPANY,**
Indianapolis, IN (US)

(**) Term: **15 Years**

(21) Appl. No.: **29/642,146**

(22) Filed: **Mar. 28, 2018**

(51) **LOC (12) Cl.** **23-01**

(52) **U.S. Cl.**
USPC **D23/255**

(58) **Field of Classification Search**
USPC D23/238-243, 249, 250-251, 252-255,
D23/257, 309; D8/300, 307, 308
CPC ... Y10T 137/9464; E03C 1/04; E03C 1/0412;
E03C 1/0404
See application file for complete search history.

(56) **References Cited**

U.S. PATENT DOCUMENTS

D140,692 S * 3/1945 Judell D23/255
D169,405 S * 4/1953 Young D23/241
D614,734 S * 4/2010 Kulig D23/242

OTHER PUBLICATIONS

Archiproducts, Venezia Washbasin tap, design in 2016, [online],
[visited Jun. 18, 2019]. Internet, URL: https://www.archiproducts.com/en/products/fantini-rubinetti/3-hole-countertop-washbasin-tap-venezia-washbasin-tap_245784 (Year: 2016).*

* cited by examiner

Primary Examiner — Sheryl Lane

Assistant Examiner — Samantha N Wood

(74) *Attorney, Agent, or Firm* — Edgar A. Zarins; Nirav D. Parikh

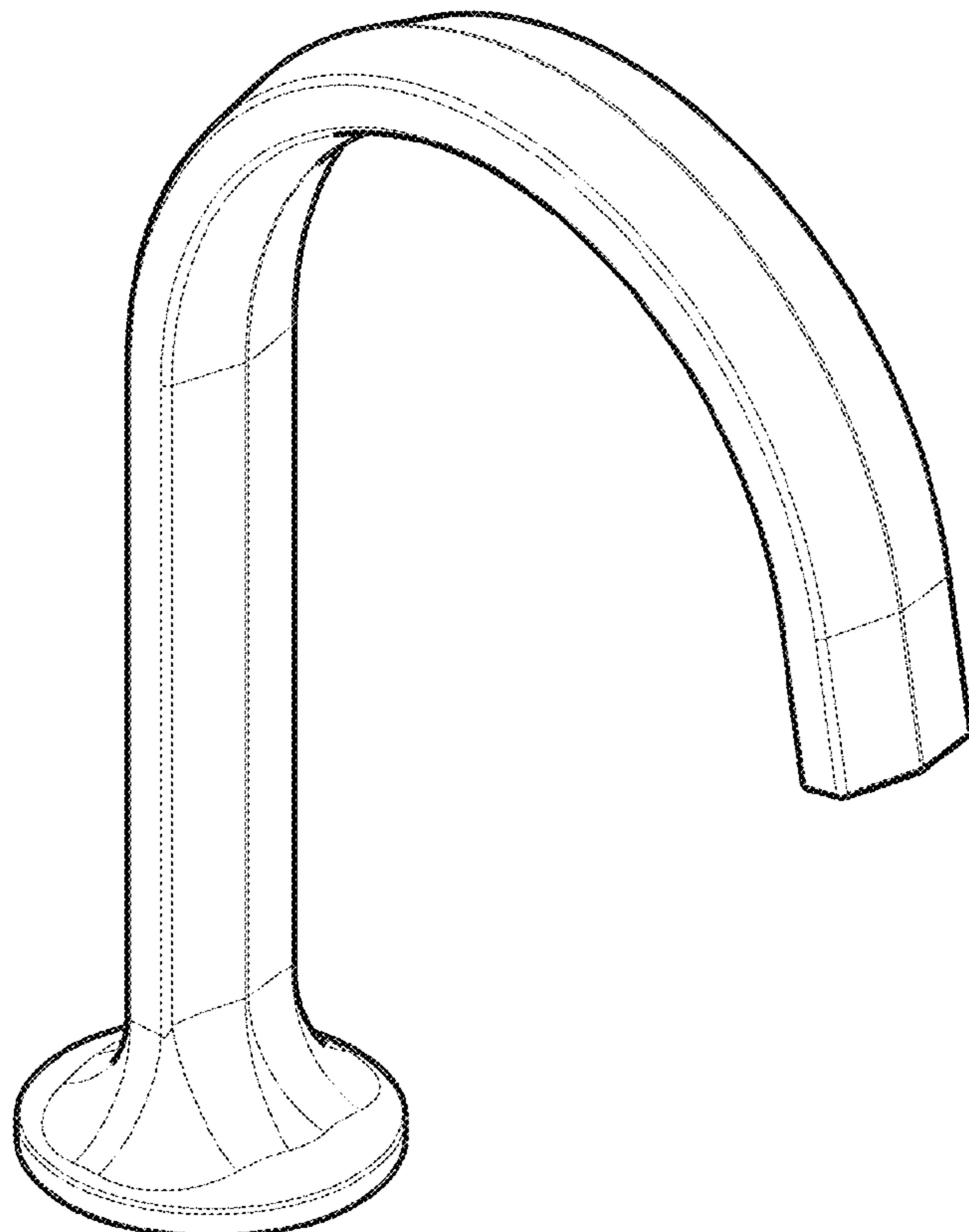
(57) **CLAIM**

The ornamental design for a faucet spout, as shown and described.

DESCRIPTION

FIG. 1 is a front perspective view of a faucet spout showing my new design;
FIG. 2 is a rear perspective view thereof;
FIG. 3 is a front elevational view thereof;
FIG. 4 is a left side view thereof;
FIG. 5 is a rear view thereof;
FIG. 6 is a right side view thereof; and,
FIG. 7 is a top plan view.

1 Claim, 4 Drawing Sheets



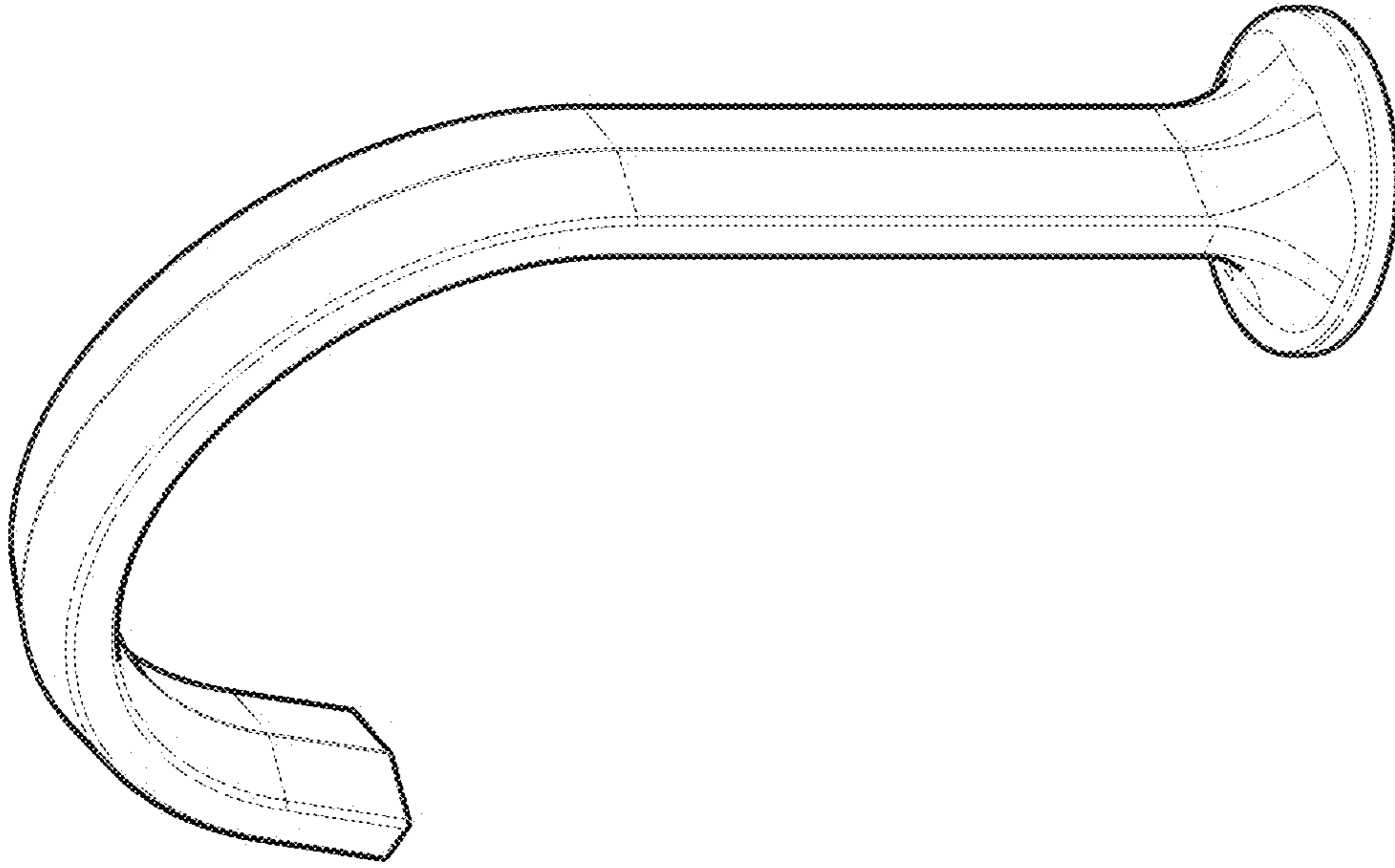


Fig. 2

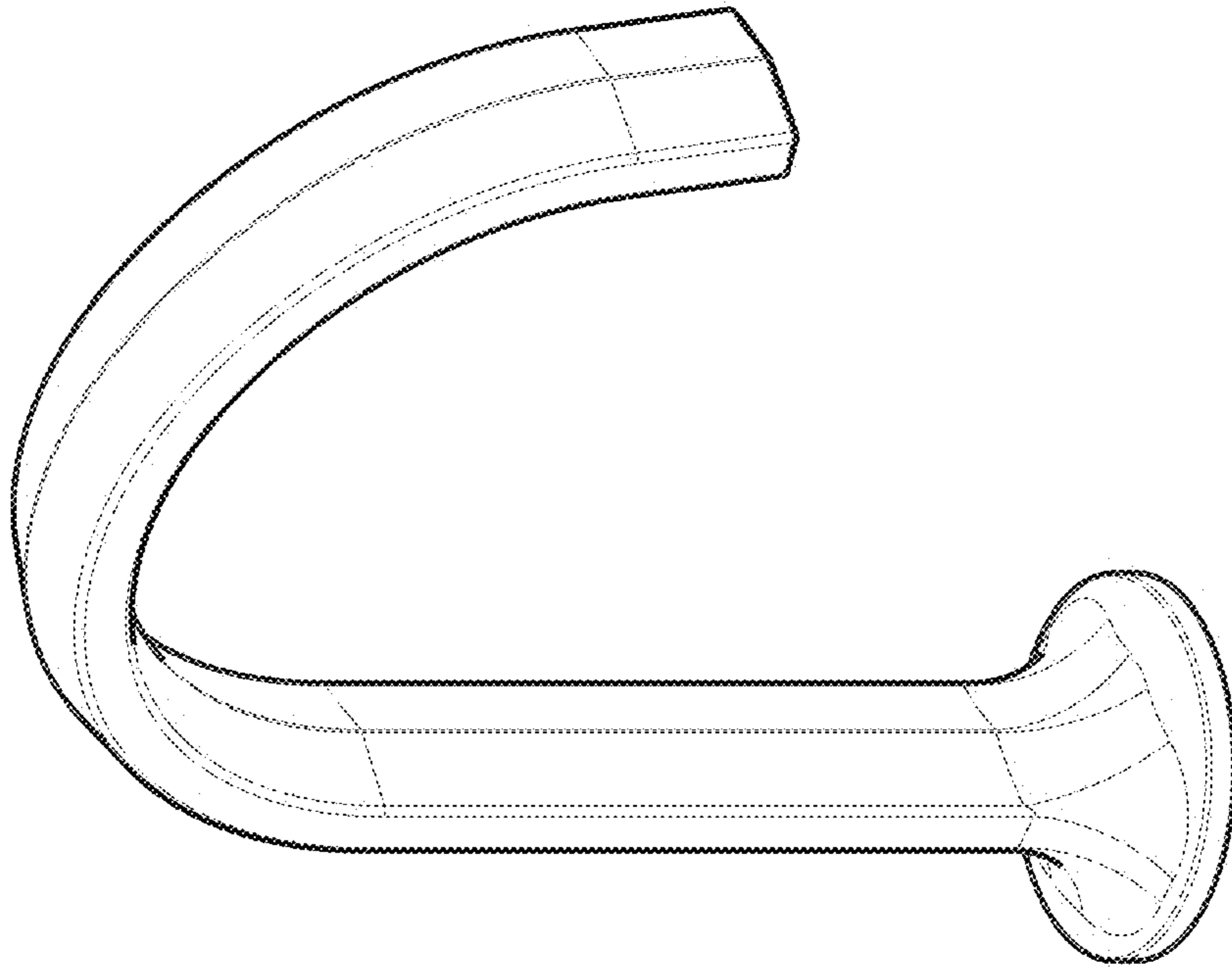


Fig. 1

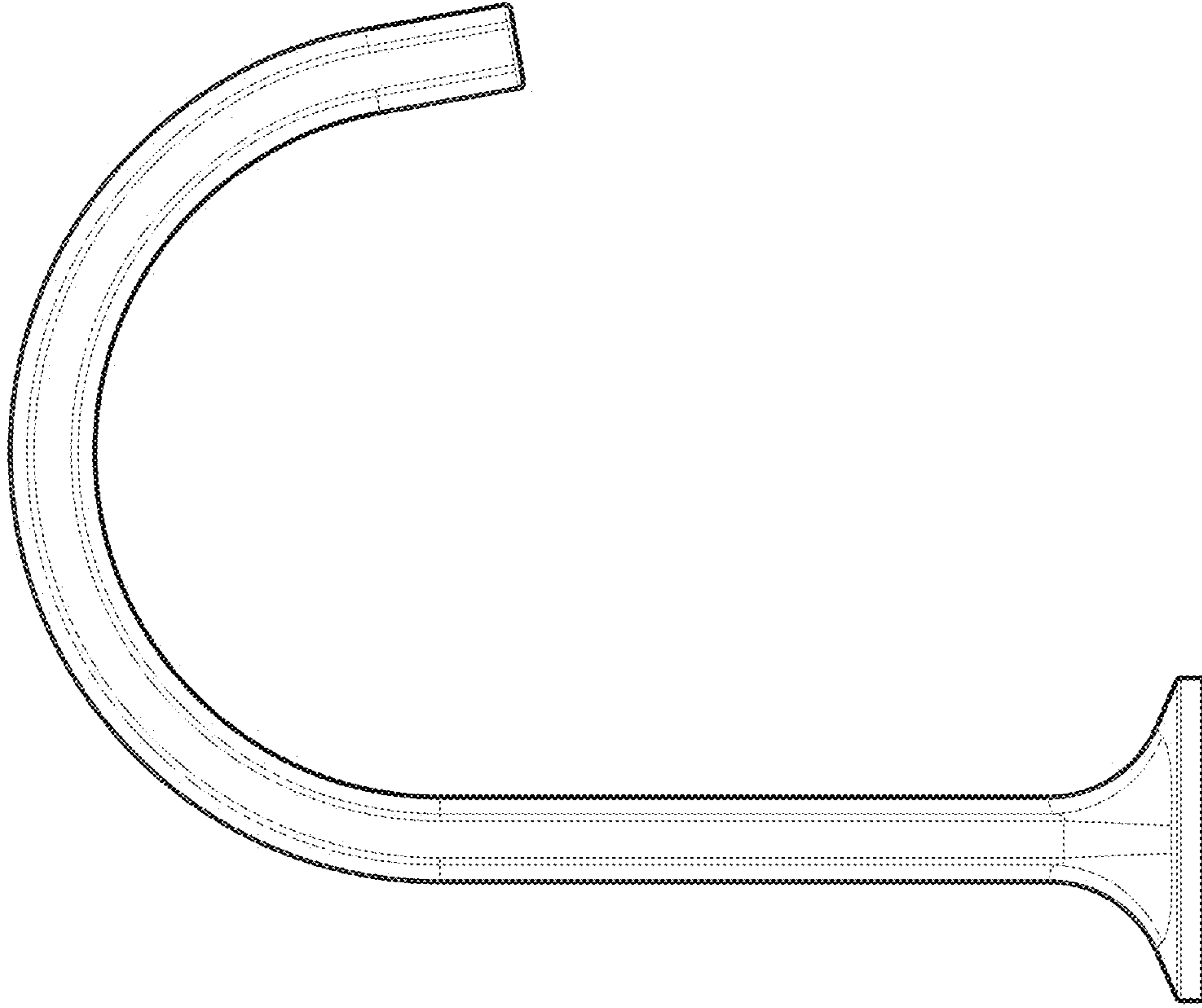


Fig. 4

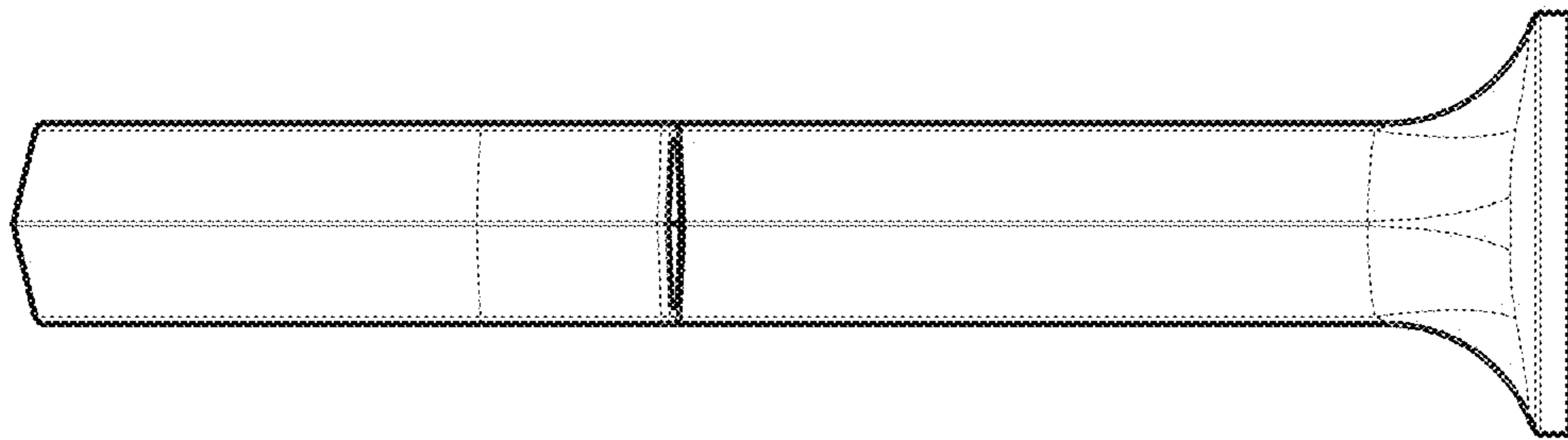


Fig. 3

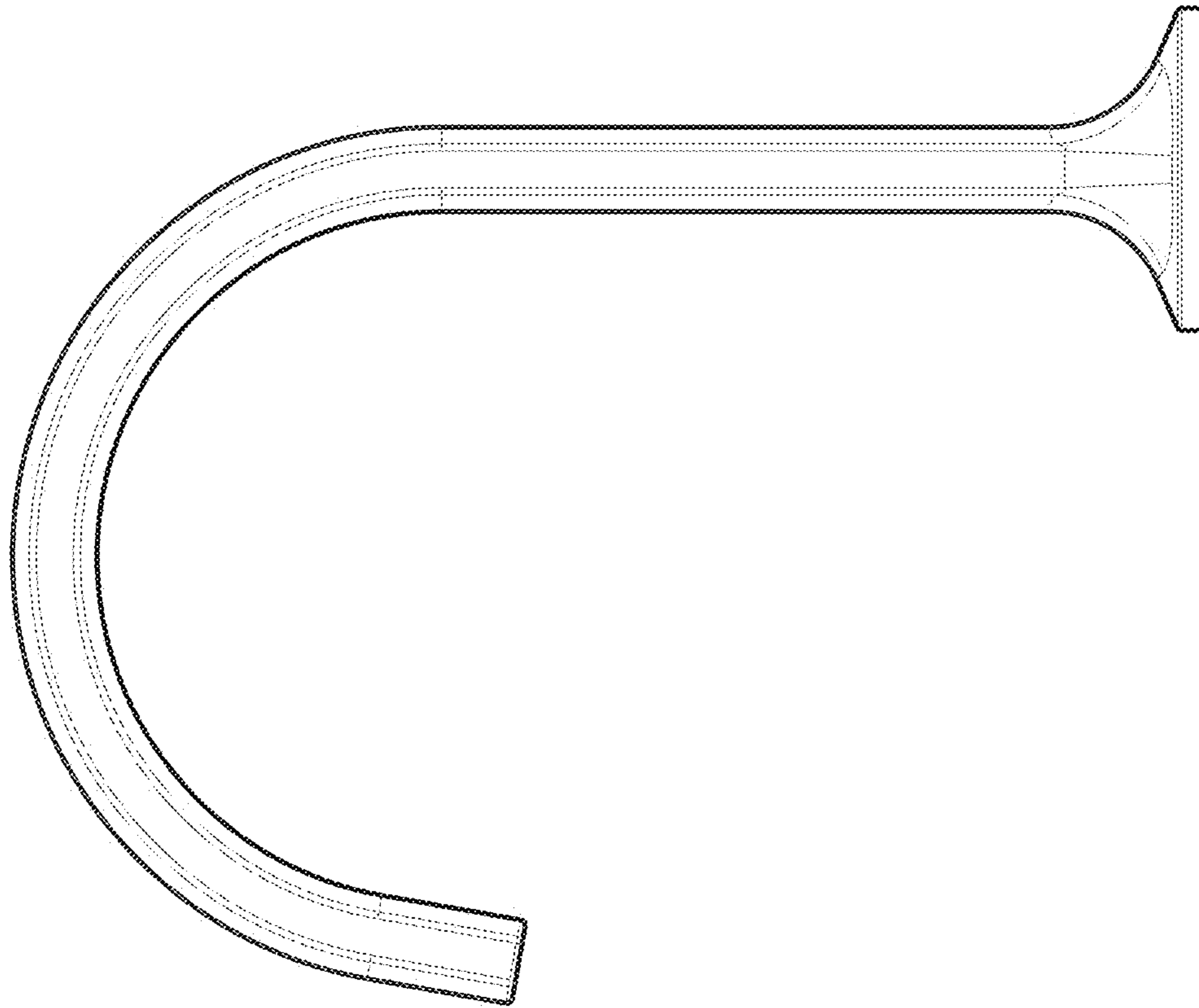


Fig. 6

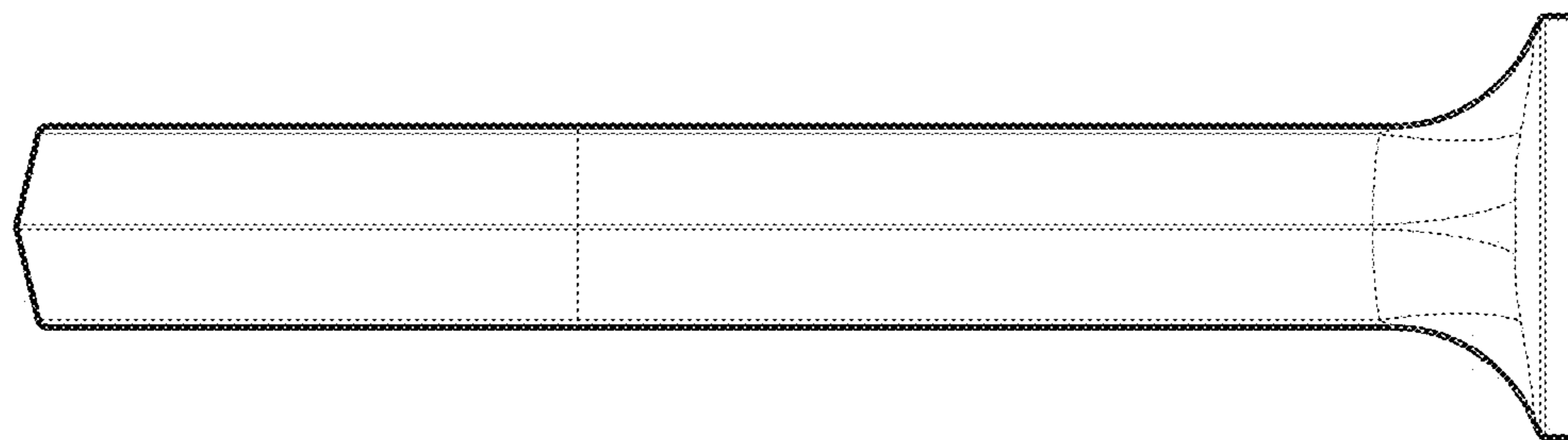


Fig. 5

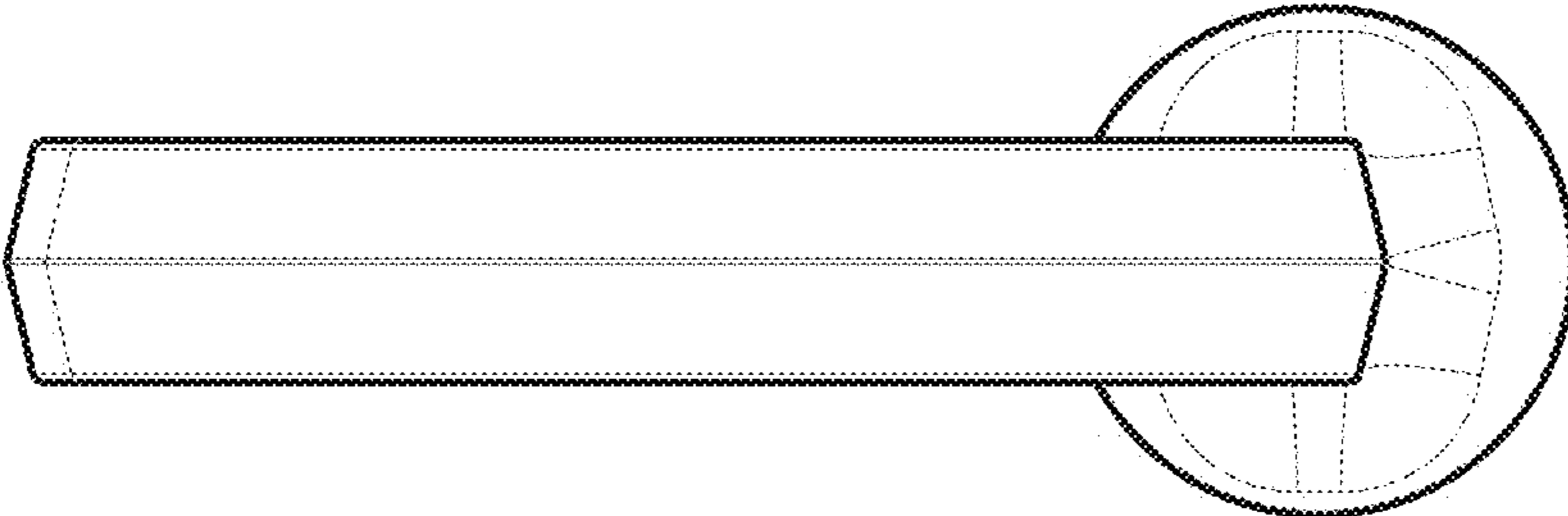


Fig. 7