



US00D881347S

(12) **United States Design Patent**  
**Lazarini**

(10) **Patent No.:** **US D881,347 S**  
(45) **Date of Patent:** **\*\* Apr. 14, 2020**

- (54) **FAUCET HANDLE**
- (71) Applicant: **DELTA FAUCET COMPANY**,  
Indianapolis, IN (US)
- (72) Inventor: **Alejandra Lazarini**, Carmel, IN (US)
- (73) Assignee: **DELTA FAUCET COMPANY**,  
Indianapolis, IN (US)
- (\*\*) Term: **15 Years**
- (21) Appl. No.: **29/641,327**
- (22) Filed: **Mar. 21, 2018**
- (51) **LOC (12) Cl.** ..... **23-01**
- (52) **U.S. Cl.**  
USPC ..... **D23/252**
- (58) **Field of Classification Search**  
USPC ..... D23/238-243, 249, 250-251, 252-255,  
D23/257, 309; D8/300, 307, 308  
CPC .... Y10T 137/9464; E03C 1/04; E03C 1/0412  
See application file for complete search history.

D552,216 S *	10/2007	Haug	.....	D23/252
D557,381 S *	12/2007	Garner	.....	D23/241
D560,464 S *	1/2008	Rexach	.....	D23/252
D588,235 S *	3/2009	Rexach	.....	D23/253
D625,393 S *	10/2010	Sieger	.....	D23/242
D767,730 S *	9/2016	Eads	.....	D23/252

\* cited by examiner

*Primary Examiner* — Marissa J Cash  
*Assistant Examiner* — Samantha N Wood  
(74) *Attorney, Agent, or Firm* — Edgar A. Zarins; Nirav D. Parikh

(57) **CLAIM**

The ornamental design for a faucet handle, as shown and described.

**DESCRIPTION**

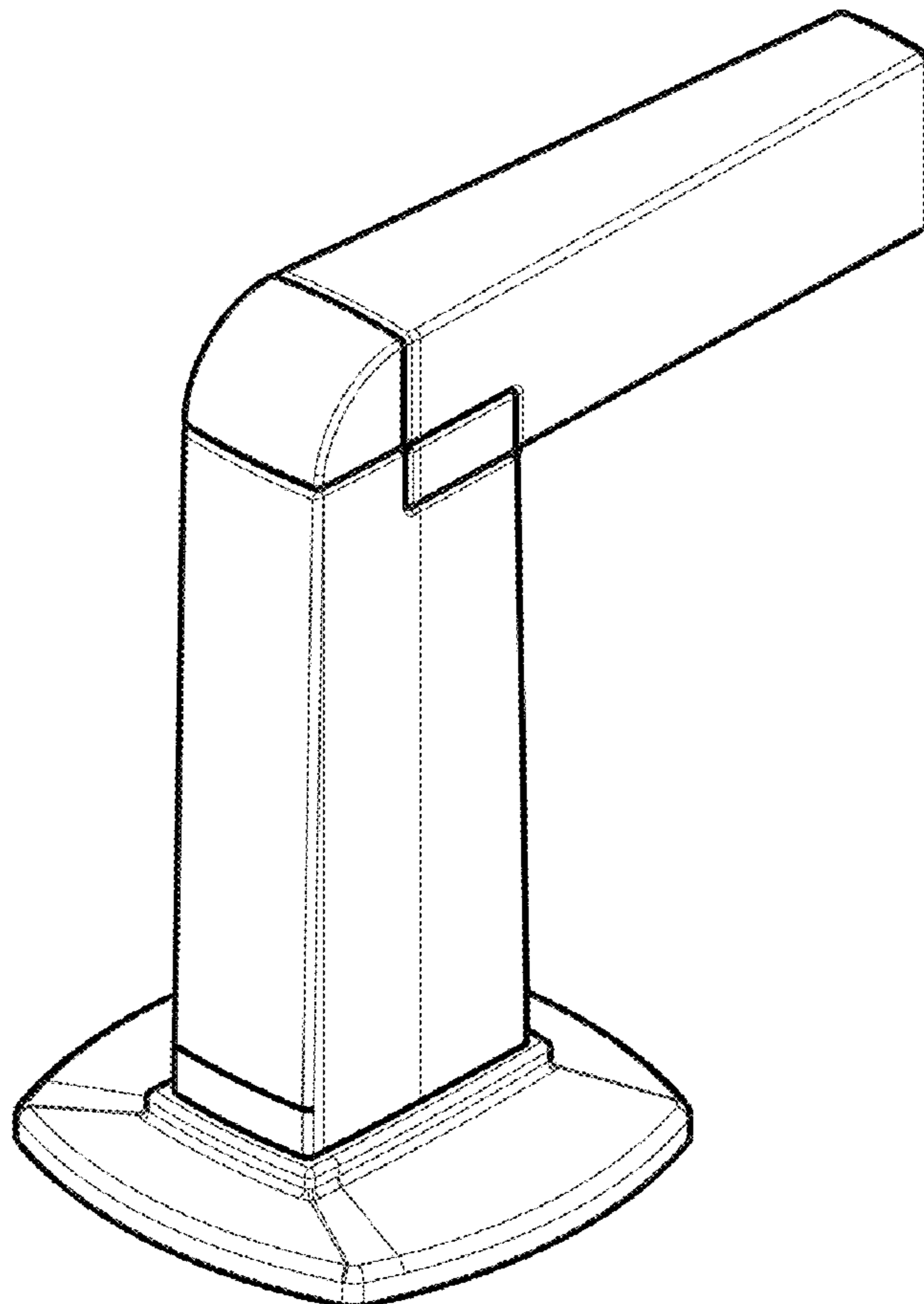
FIG. 1 is a front perspective view of a faucet handle showing my new design;  
FIG. 2 is a rear perspective view thereof;  
FIG. 3 is a front elevational view thereof;  
FIG. 4 is a first end view thereof;  
FIG. 5 is a rear view thereof;  
FIG. 6 is a second end view thereof; and,  
FIG. 7 is a top plan view thereof.

(56) **References Cited**

U.S. PATENT DOCUMENTS

D302,203 S *	7/1989	Paul	.....	D23/257
D528,640 S *	9/2006	Yoshioka	.....	D23/255

**1 Claim, 4 Drawing Sheets**



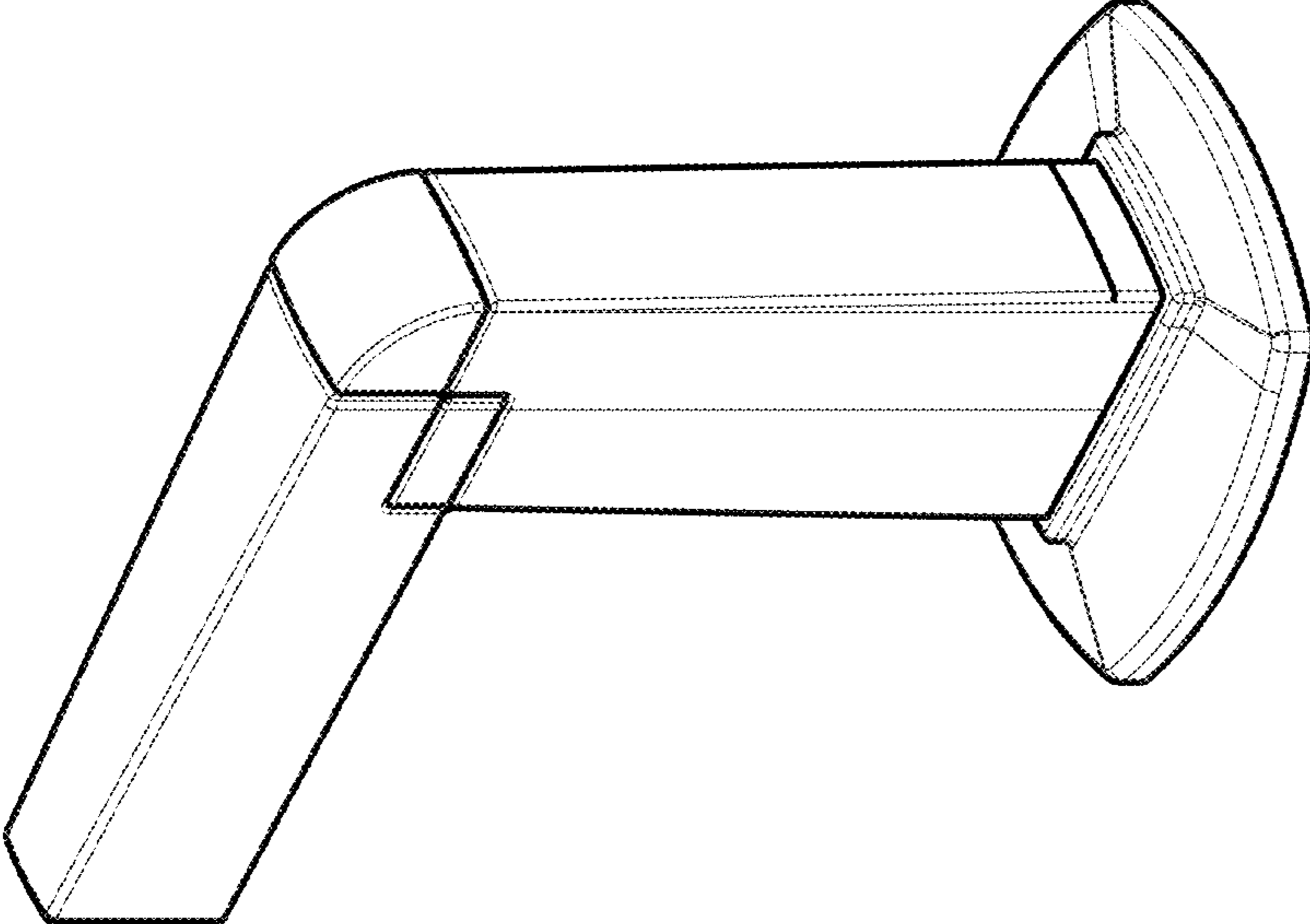


Fig. 2

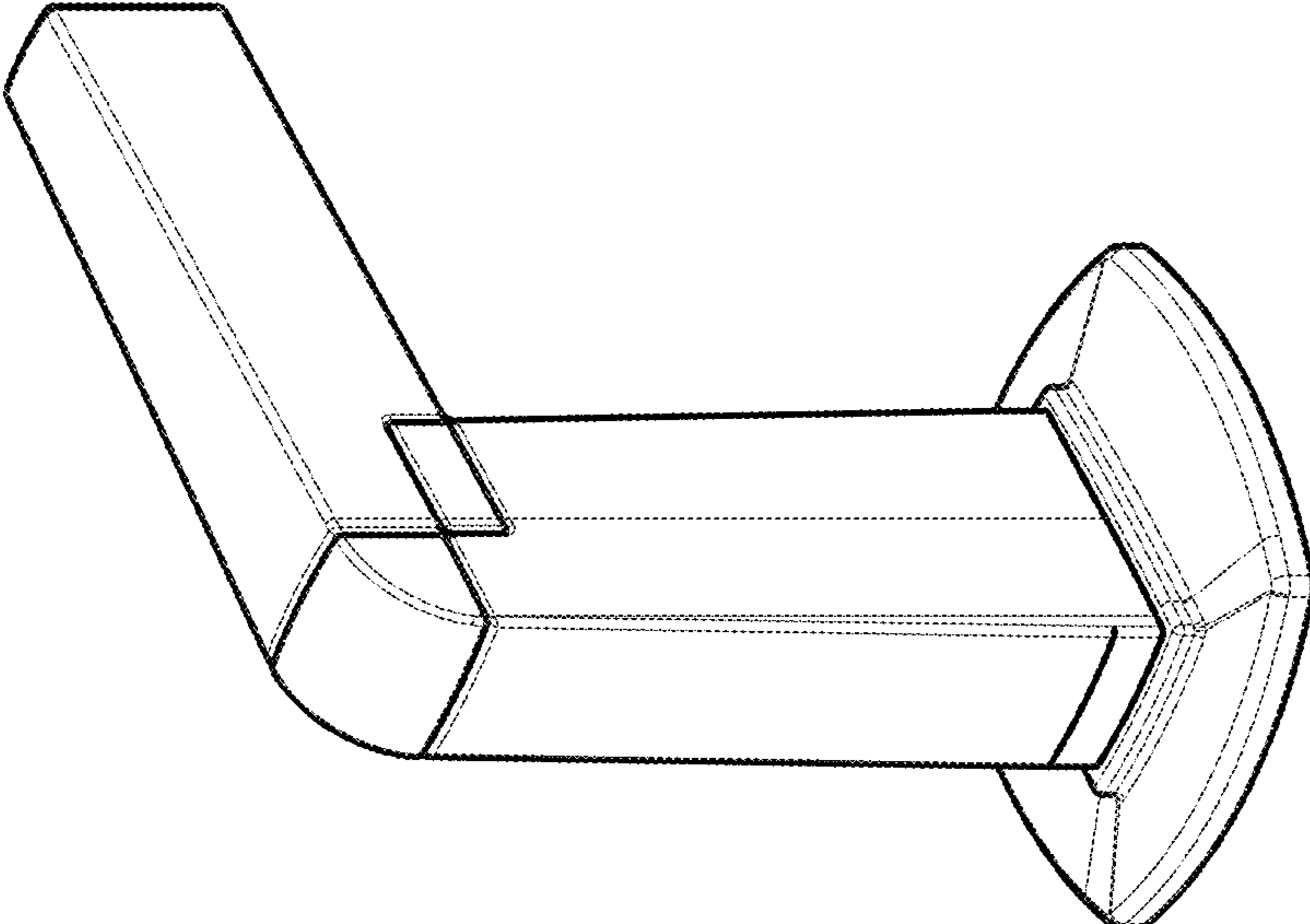


Fig. 1

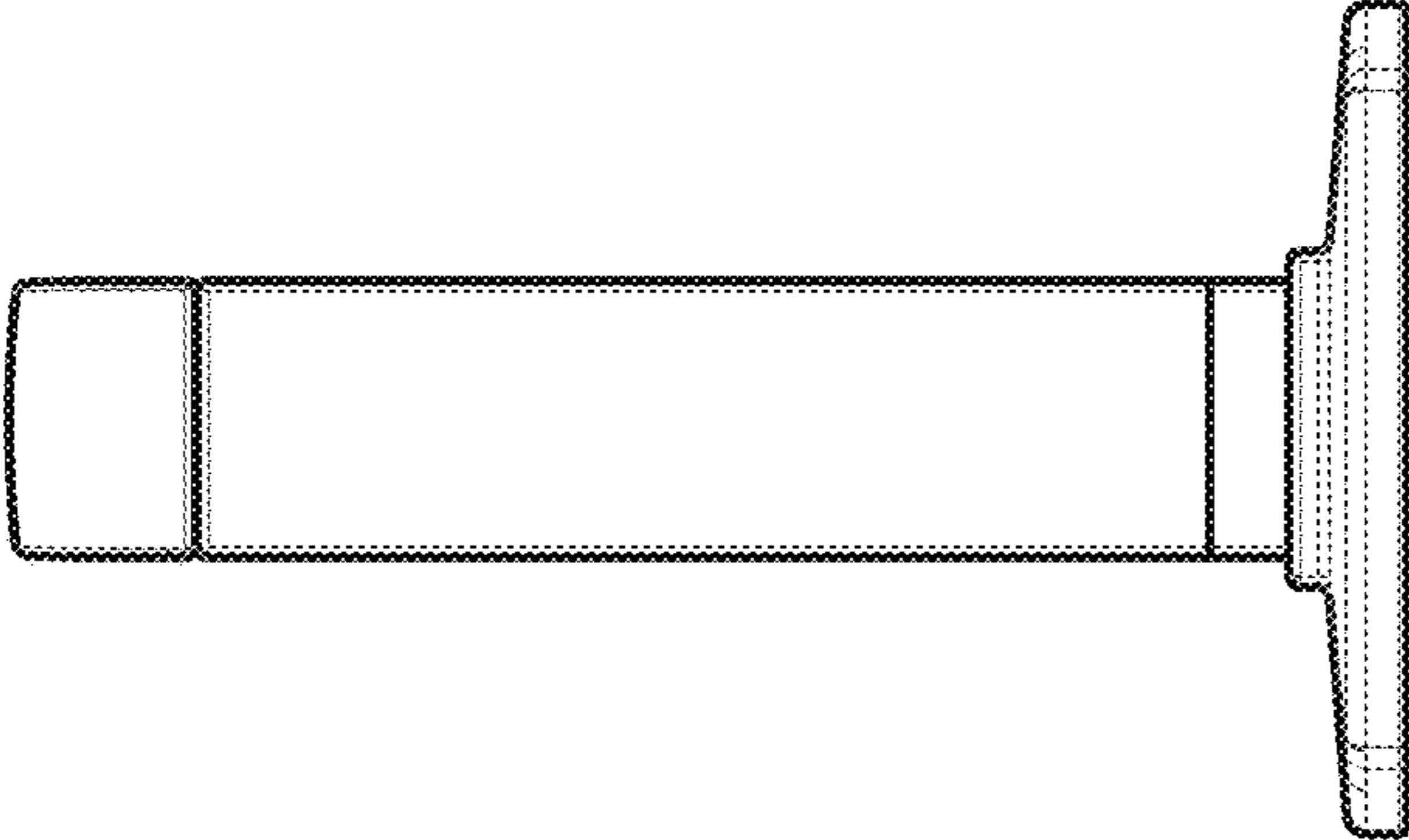


Fig. 4

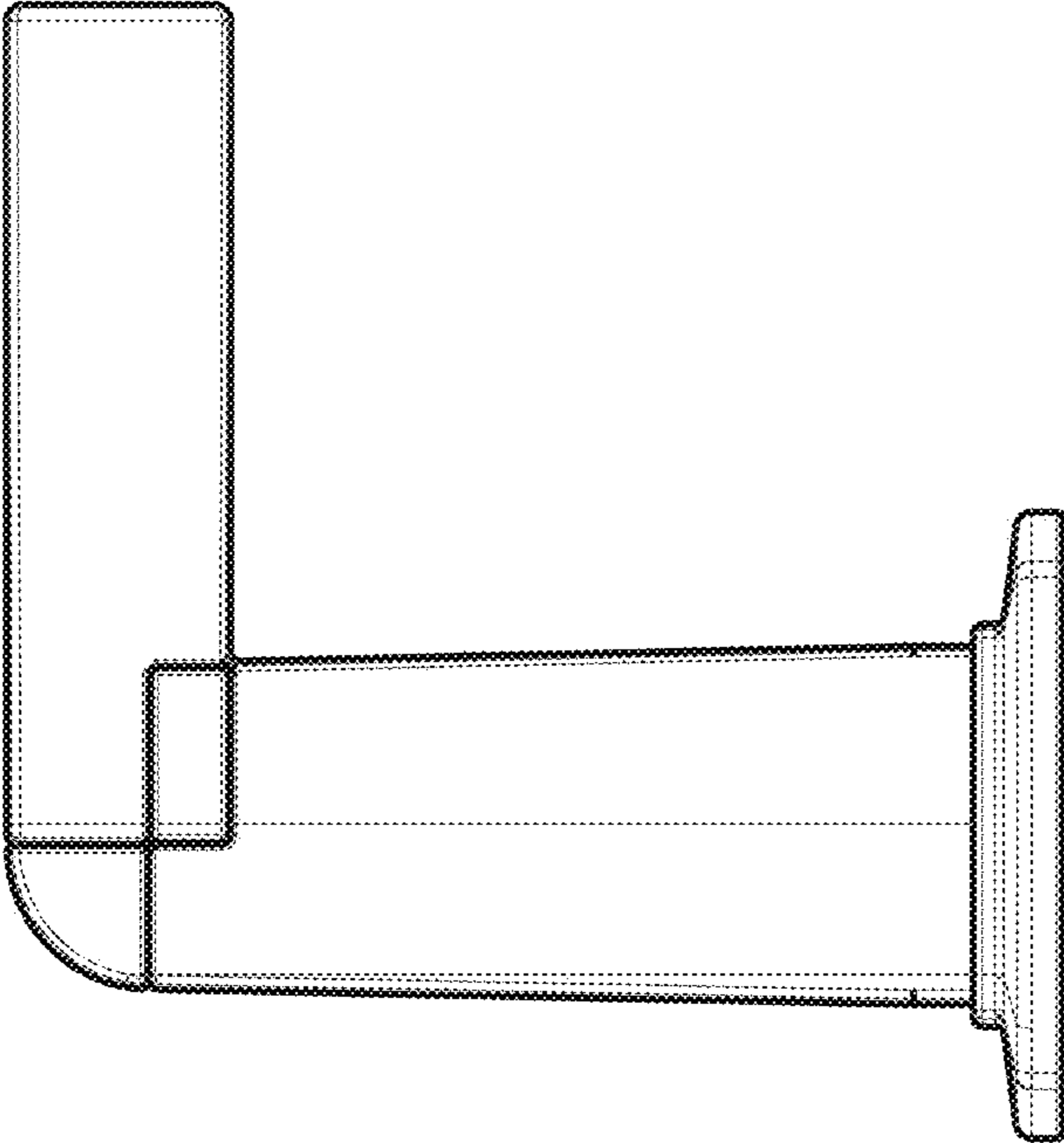


Fig. 3

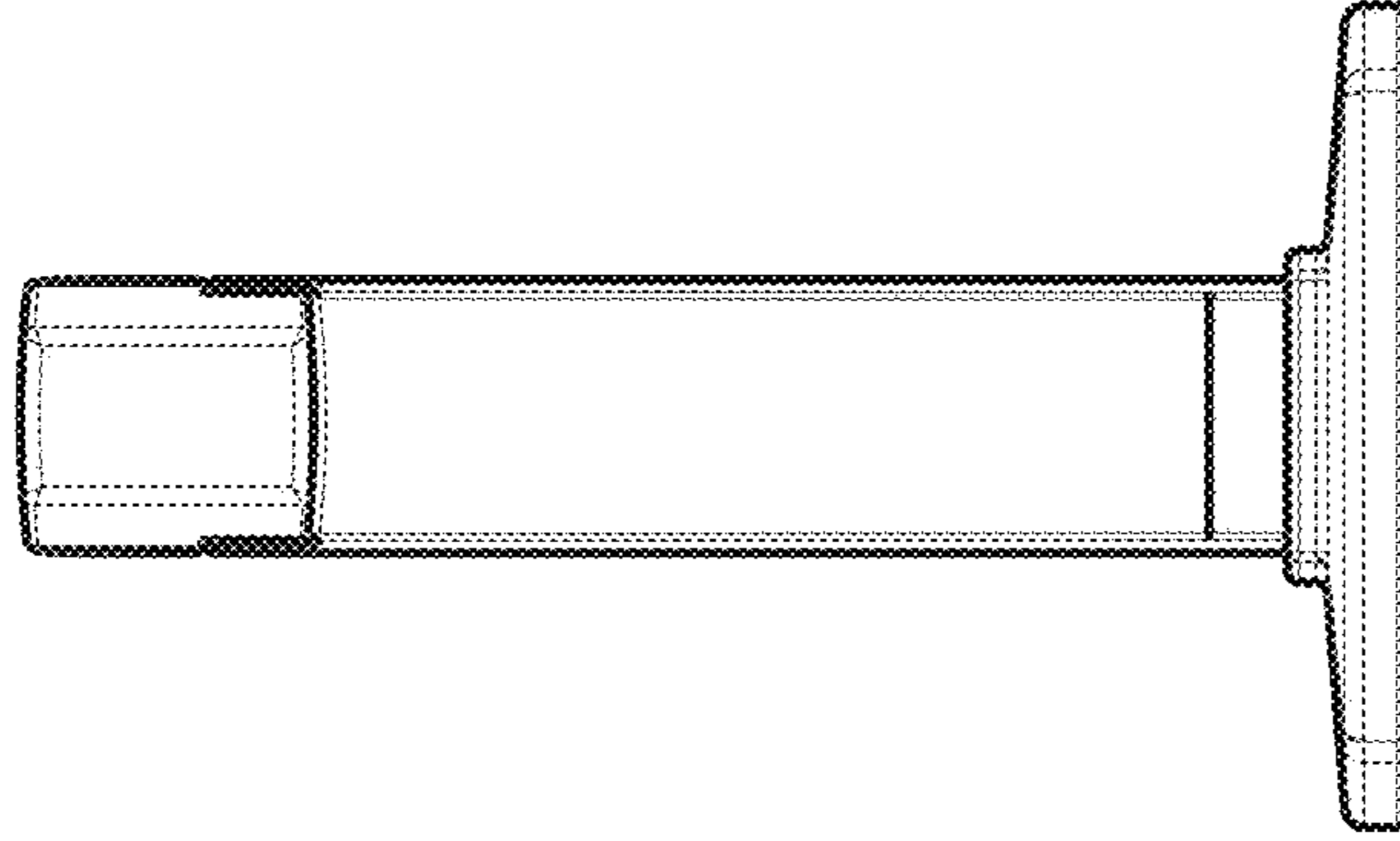


Fig. 6

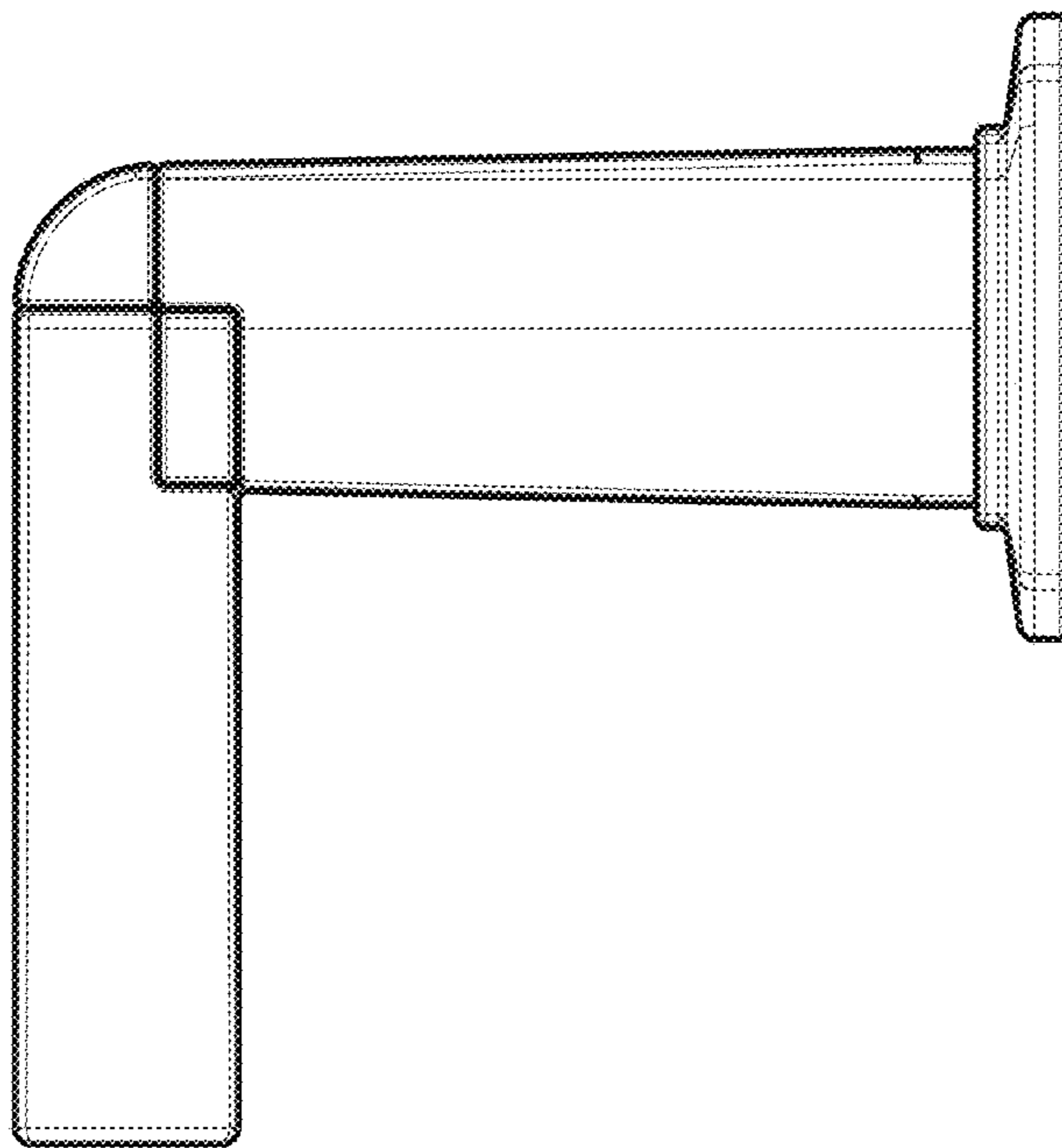


Fig. 5

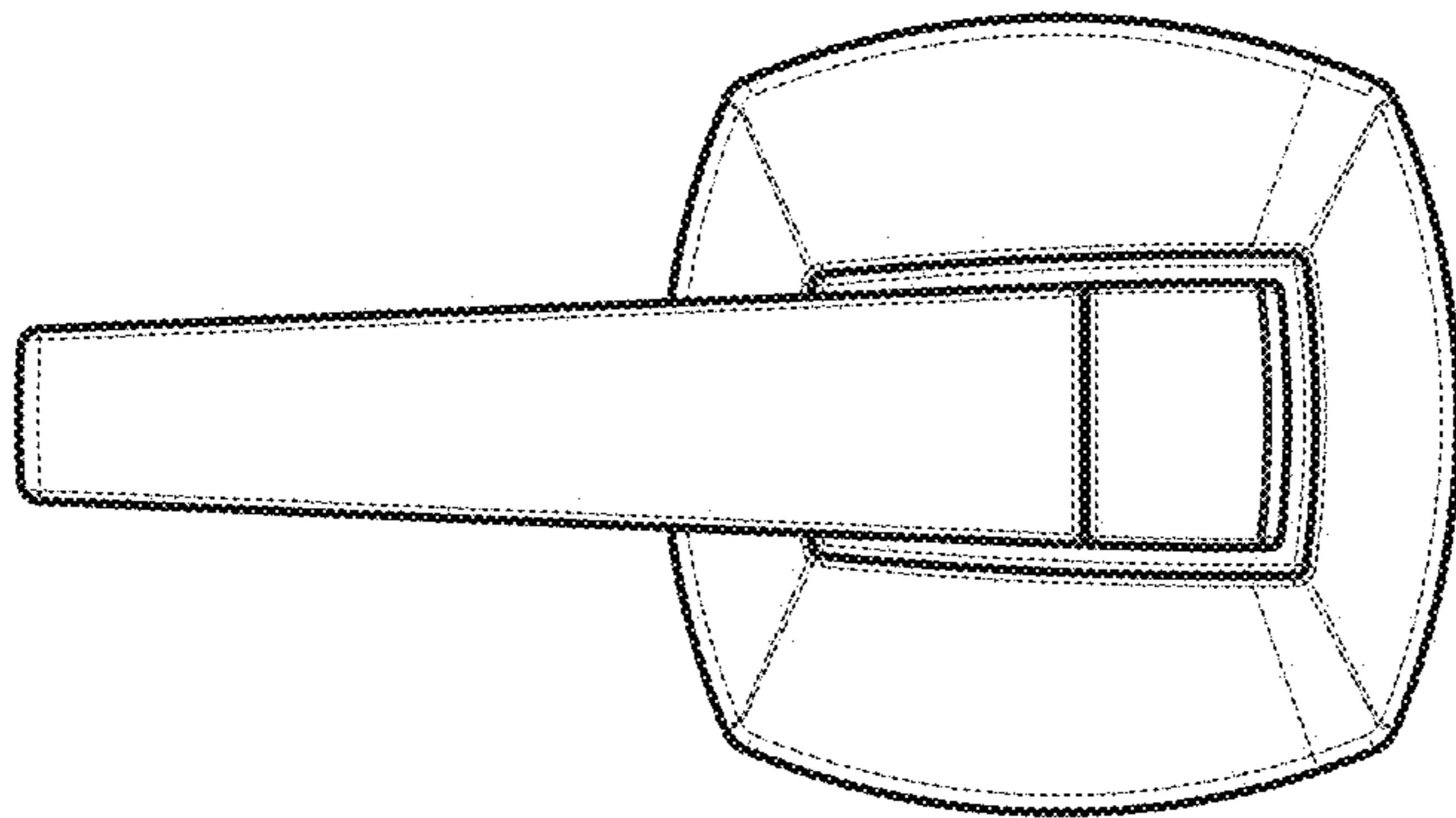


Fig. 7